



US00D887445S

(12) **United States Design Patent** (10) **Patent No.:** **US D887,445 S**
Brinker et al. (45) **Date of Patent:** **** Jun. 16, 2020**

(54) **DISPLAY SCREEN OR PORTION THEREOF WITH GRAPHICAL USER INTERFACE**

(71) Applicant: **AGCO Corporation**, Duluth, GA (US)

(72) Inventors: **Jarret Lee Brinker**, Beloit, KS (US);
Michael Dennis Schmidt, Maple Grove, MN (US)

(73) Assignee: **AGCO Corporation**, Duluth, GA (US)

(**) Term: **15 Years**

(21) Appl. No.: **29/690,920**

(22) Filed: **May 13, 2019**

Related U.S. Application Data

(62) Division of application No. 29/628,095, filed on Dec. 1, 2017, now Pat. No. Des. 857,749.

(51) **LOC (12) Cl.** **14-04**

(52) **U.S. Cl.**
USPC **D14/492**

(58) **Field of Classification Search**
USPC D14/485-495
CPC G06F 3/04847; G06F 3/0485; G06F 3/048;
G06F 3/0488; H04N 1/00477; A01B
79/005; A01B 69/008; A01B 76/00

See application file for complete search history.

(56) **References Cited**

U.S. PATENT DOCUMENTS

D307,127 S *	4/1990	Simons	D12/192
D473,151 S *	4/2003	Sedlak	D10/103
D699,747 S *	2/2014	Pearson	D14/488
D701,226 S *	3/2014	Jung	D14/486
D707,705 S *	6/2014	Folken	D14/490
D708,221 S *	7/2014	Danton	D14/492
D724,617 S *	3/2015	Shin	D14/487
D739,872 S *	9/2015	Bang	D14/488

D760,244 S *	6/2016	Lv	D14/485
D766,271 S *	9/2016	Lau	D14/485
D766,302 S *	9/2016	Phelan	D14/486
D771,103 S *	11/2016	Eder	D14/486
D777,200 S *	1/2017	Luo	D14/488
D784,402 S *	4/2017	Luo	D14/488
D786,304 S *	5/2017	Cronin	D14/485
D786,897 S *	5/2017	Nageli	D14/485
D787,551 S *	5/2017	Oh	D14/489
D788,165 S *	5/2017	Bunyard	D14/489
D795,886 S *	8/2017	Ng	D14/485
D798,311 S *	9/2017	Golden	F24F 11/30 D14/485
D800,769 S *	10/2017	Hennessy	D14/489
D800,778 S *	10/2017	Oh	D14/492
D812,073 S *	3/2018	Lehmann	D14/485
D835,139 S *	12/2018	Li	D14/486
D835,648 S *	12/2018	Begin	D14/486
D840,415 S *	2/2019	Yoon	D14/485
D848,479 S *	5/2019	Lee	D14/492
D857,749 S *	8/2019	Brinker	D14/492
D862,498 S *	10/2019	Bae	D14/485

(Continued)

Primary Examiner — Darlington Ly

Assistant Examiner — Katherine A Holbrow

(57) **CLAIM**

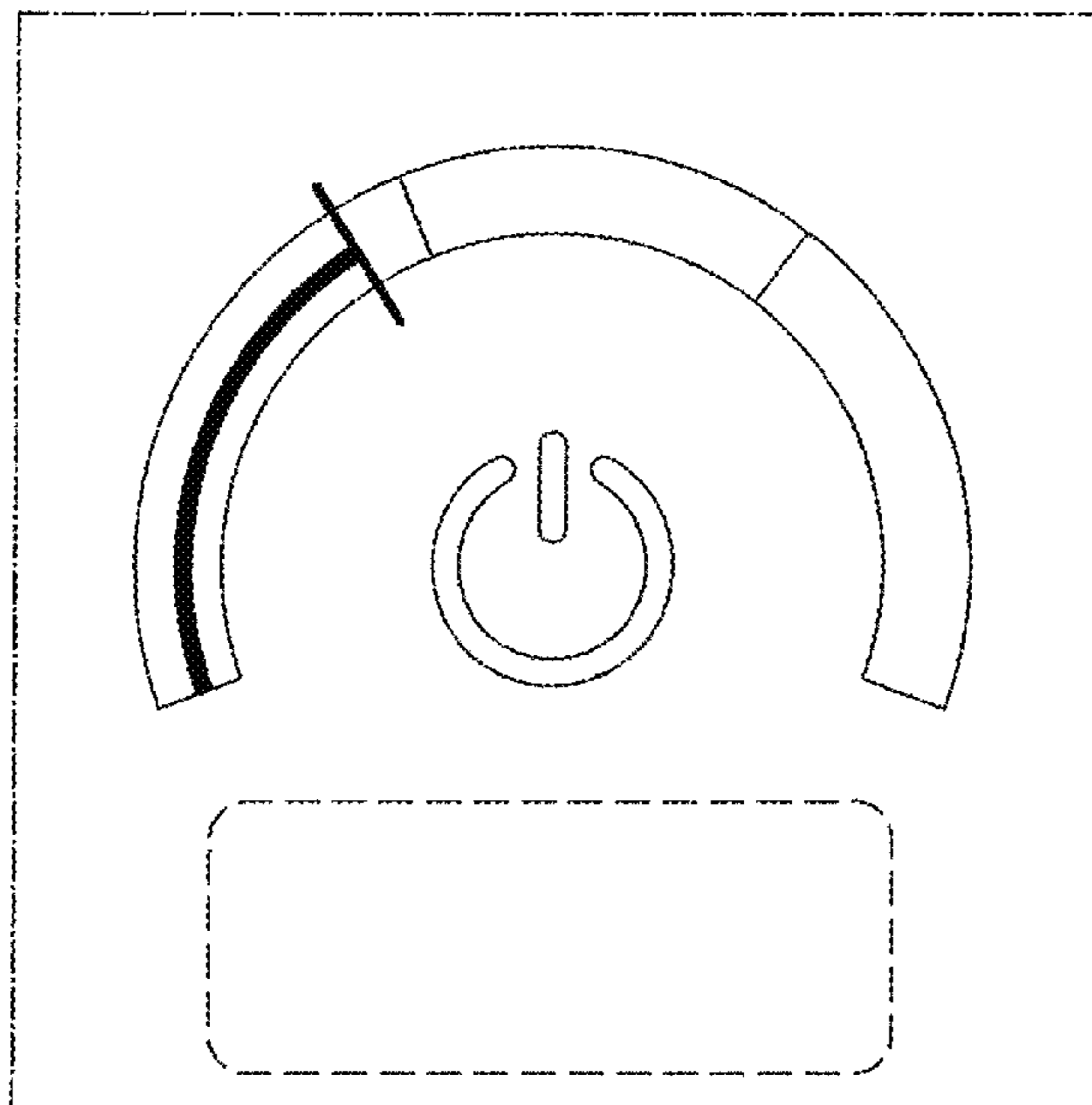
The ornamental design for a display screen or portion thereof with graphical user interface, as shown and described.

DESCRIPTION

The FIGURE is a front view of a display screen or portion thereof with graphical user interface, showing our new design.

The dot-dash lines depict a display screen or portion thereof, and form no part of the claimed design. All other broken lines showing portions of the graphical user interface depict portions of the article and form no part of the claimed design.

1 Claim, 1 Drawing Sheet



(56)

References Cited

U.S. PATENT DOCUMENTS

D869,499 S * 12/2019 Cronin D14/491
2013/0212529 A1 * 8/2013 Amarnath G06F 3/017
715/810
2013/0262687 A1 * 10/2013 Avery G06F 9/54
709/229

* cited by examiner

