



US00D887418S

(12) **United States Design Patent**
Valentine

(10) **Patent No.:** **US D887,418 S**

(45) **Date of Patent:** **** Jun. 16, 2020**

(54) **STAND FOR ELECTRONIC DEVICES**

(71) Applicant: **M2W Products (Pty) Ltd.**, Durban (ZA)

(72) Inventor: **Mark Hector Valentine**, Durban (ZA)

(73) Assignee: **M2W PRODUCTS (PTY) LTD.**, Pinetown, Durban (ZA)

(**) Term: **15 Years**

(21) Appl. No.: **29/681,912**

(22) Filed: **Feb. 28, 2019**

(30) **Foreign Application Priority Data**

Aug. 29, 2018 (ZA) A2018/01368

(51) **LOC (12) Cl.** **08-07**

(52) **U.S. Cl.**
USPC **D14/447**

(58) **Field of Classification Search**
USPC D14/447, 432, 434, 439, 440, 451, 452, D14/457, 239, 253; D8/363, 373, 380; D6/406.3, 406.4, 406.5, 406.6; D12/415
CPC A47B 21/04; A47B 2097/006; A47B 2097/005; A47B 2023/049; A45C 2011/002; A45C 2011/003; F16M 2200/00; F16M 13/00
See application file for complete search history.

(56) **References Cited**

U.S. PATENT DOCUMENTS

D676,853 S * 2/2013 Gengler D14/447
D693,824 S * 11/2013 Erdfarb D14/447

D697,069 S * 1/2014 Tak D14/447
D705,785 S * 5/2014 Wang D14/447
D711,888 S * 8/2014 Huebner D14/447
D721,710 S * 1/2015 Messing D14/447
D804,490 S * 12/2017 Wei D14/447
D824,915 S * 8/2018 Hsu D14/447
D833,447 S * 11/2018 Zhang D14/447
D857,700 S * 8/2019 Zeng D14/447
D868,073 S * 11/2019 Smith D14/447
D870,116 S * 12/2019 Lei D14/447

* cited by examiner

Primary Examiner — Angela J Lee

(74) *Attorney, Agent, or Firm* — Knobbe Martens Olson & Bear LLP

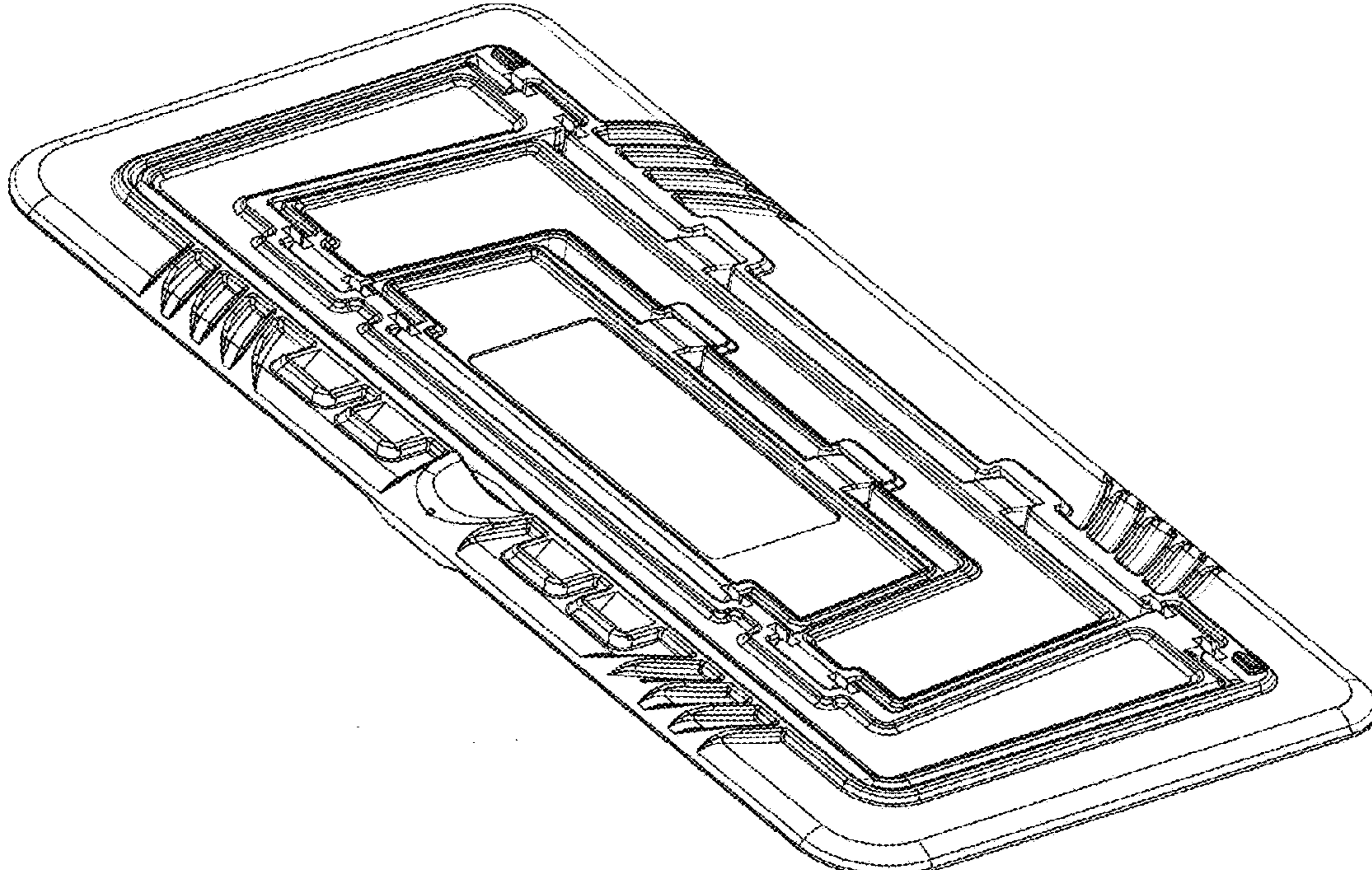
(57) **CLAIM**

The ornamental design for a stand for electronic devices, as shown and described.

DESCRIPTION

FIG. 1 is a perspective view of an embodiment of a stand for electronic devices showing the new design; FIG. 2 is another perspective view thereof; FIG. 3 is a rear side view thereof; FIG. 4 is a front side view thereof; FIG. 5 is a top view thereof; FIG. 6 is a bottom view thereof; FIG. 7 is a left side view thereof; and, FIG. 8 is a right side view thereof.

1 Claim, 6 Drawing Sheets



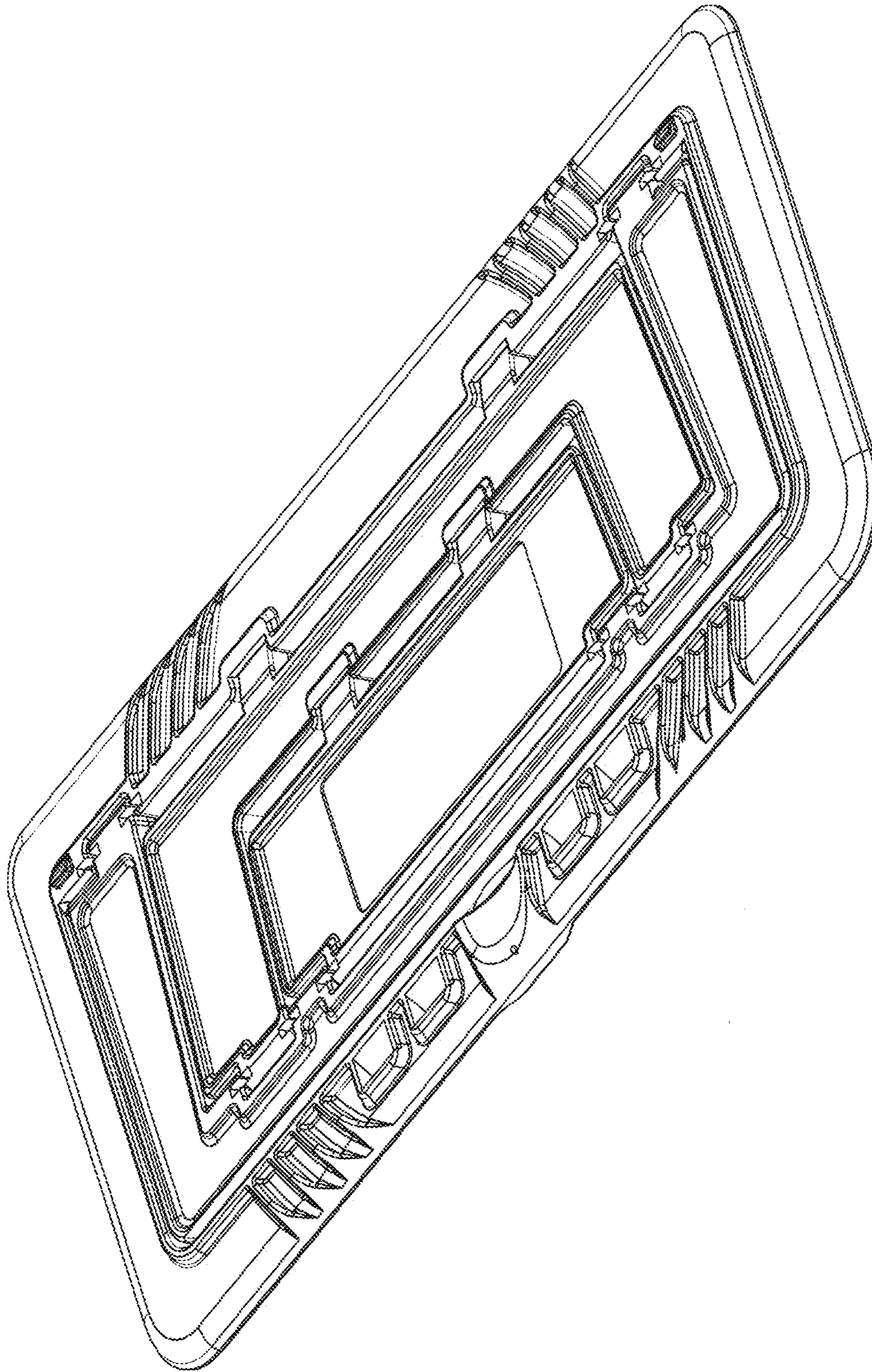


FIG. 1

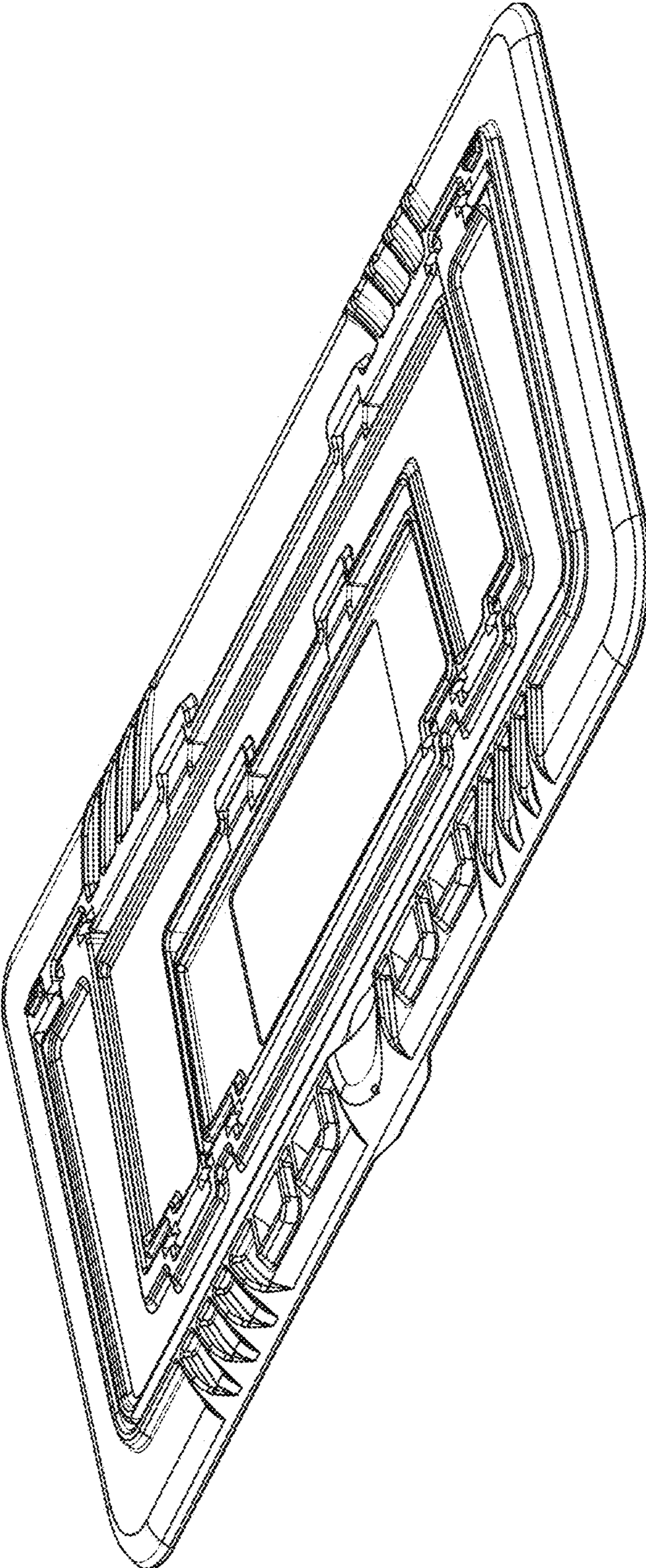


FIG. 2



FIG. 3

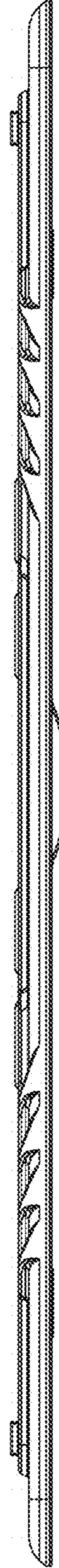


FIG. 4

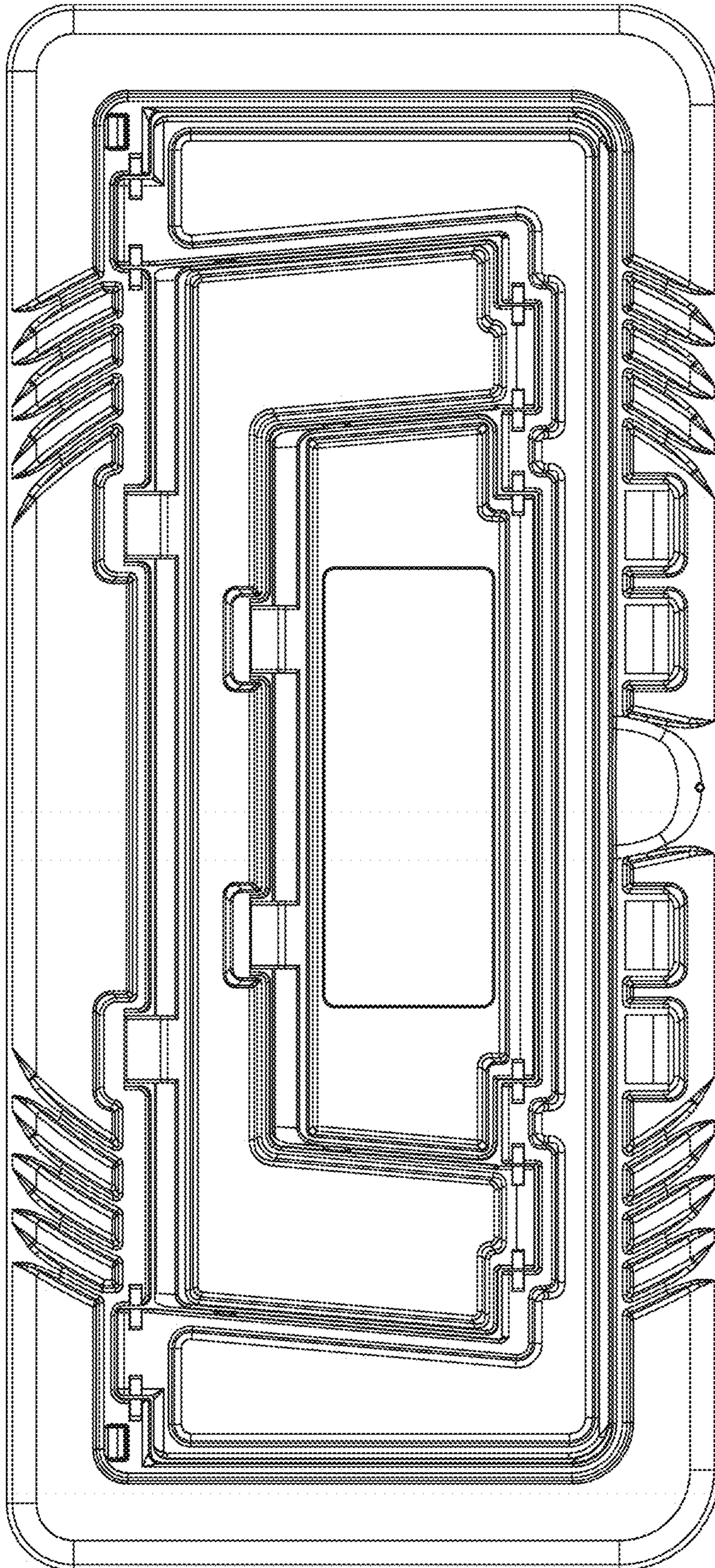


FIG. 5

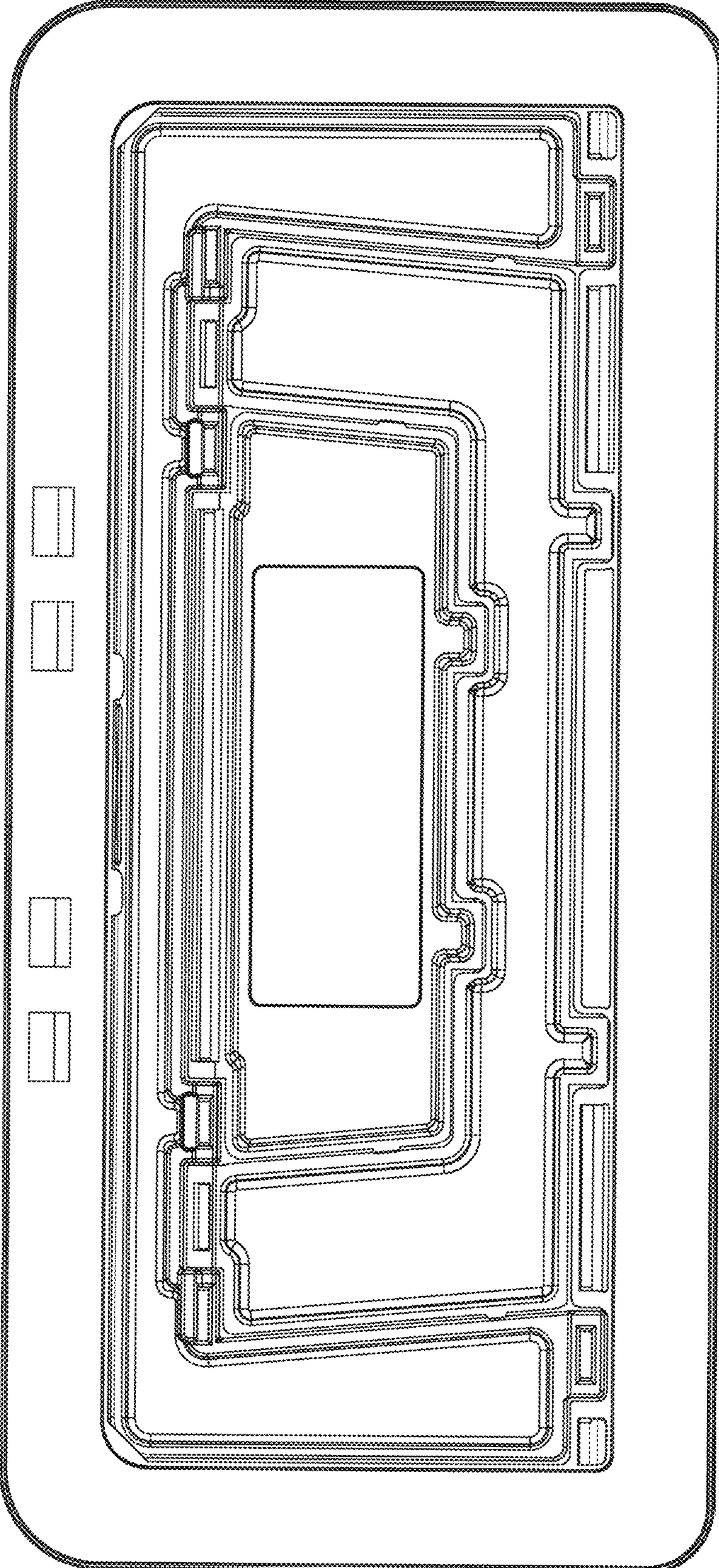


FIG. 6

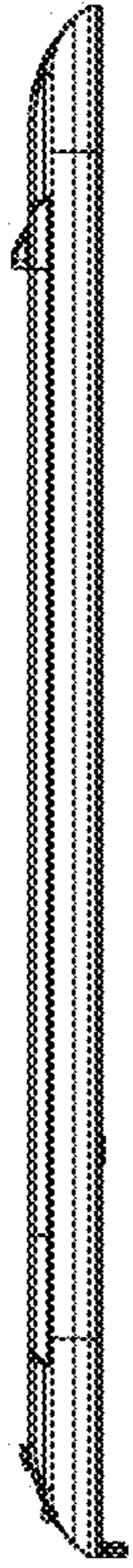


FIG. 7

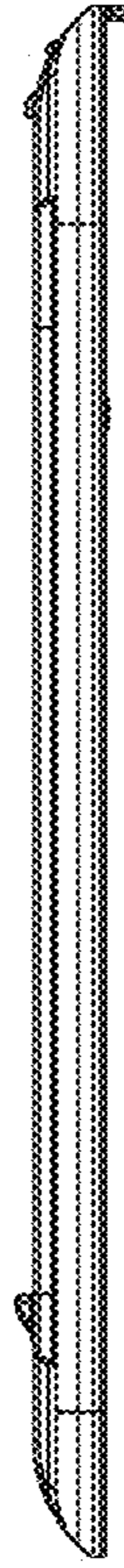


FIG. 8