



US00D887417S

(12) **United States Design Patent**
Yarbough et al.

(10) **Patent No.:** **US D887,417 S**

(45) **Date of Patent:** **** Jun. 16, 2020**

(54) **WIRELESS CHARGING HOLDER FOR MOBILE DEVICE**

Primary Examiner — Angela J Lee

(74) *Attorney, Agent, or Firm* — Lucas & Mercanti, LLP

(71) Applicant: **iOttie, Inc.**, New York, NY (US)

(57) **CLAIM**

(72) Inventors: **Carlyle Patrick Yarbough**, Astoria, NY (US); **Jeremy Leeds-Frank**, Mineola, NY (US)

The ornamental design for a wireless charging holder for mobile device, as shown and described.

(73) Assignee: **iOttie, Inc.**, New York, NY (US)

DESCRIPTION

(**) Term: **15 Years**

(21) Appl. No.: **29/674,948**

(22) Filed: **Dec. 27, 2018**

(51) **LOC (12) Cl.** **08-07**

(52) **U.S. Cl.**
USPC **D14/447**

(58) **Field of Classification Search**
USPC D14/447, 432, 434, 439, 440, 451, 452, D14/457, 239, 253; D8/363, 373, 380; D6/406.3, 406.4, 406.5, 406.6; D12/415; D13/108
CPC A47B 21/04; A47B 2097/006; A47B 2097/005; A47B 2023/049; A45C 2011/002; A45C 2011/003; F16M 2200/00; F16M 13/00
See application file for complete search history.

FIG. 1 is a top view of a first embodiment our new design for a wireless charging holder for mobile device; FIG. 2 is a front view of the first embodiment thereof; FIG. 3 is a right side view of the first embodiment thereof; FIG. 4 is a left side view of the first embodiment thereof; FIG. 5 is a rear view of the first embodiment thereof; FIG. 6 is a bottom view of the first embodiment thereof; FIG. 7 is a top front right perspective view of the first embodiment thereof; FIG. 8 is a bottom front left perspective view of the first embodiment thereof; FIG. 9 is a rear left top perspective view of the first embodiment thereof; FIG. 10 is a rear right bottom perspective view of the first embodiment thereof; FIG. 11 is a top view of a second embodiment, showing extended side arms of the first embodiment thereof; FIG. 12 is a front view of the second embodiment thereof; FIG. 13 is a rear view of the second embodiment thereof; FIG. 14 is a bottom view of the second embodiment thereof; FIG. 15 is a top left front perspective view of the second embodiment thereof; FIG. 16 is a bottom right front perspective view of the second embodiment thereof; FIG. 17 is a top left rear perspective view of the second embodiment thereof; and, FIG. 18 is a bottom right rear perspective view of the second embodiment thereof.

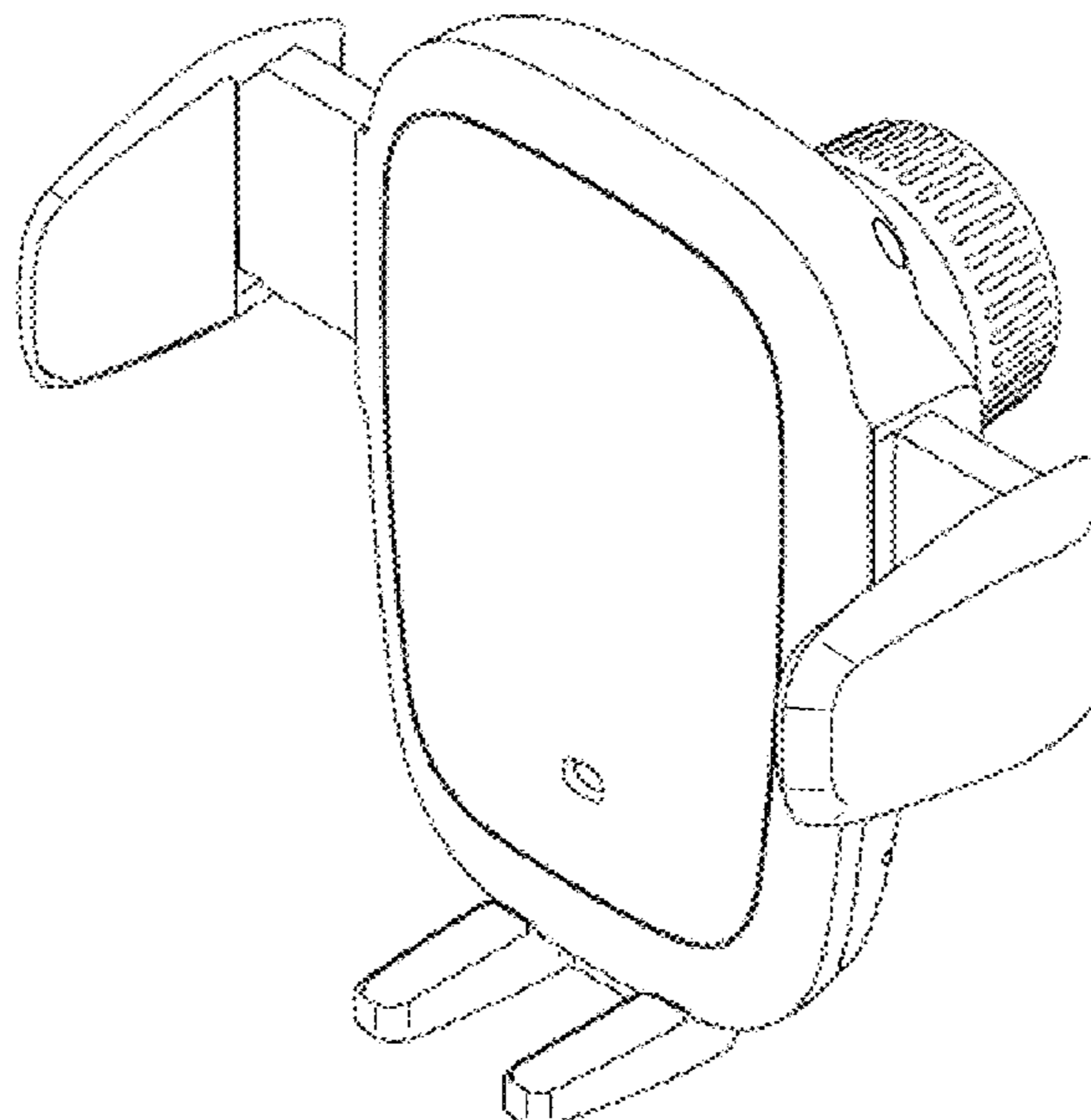
(56) **References Cited**

U.S. PATENT DOCUMENTS

D566,118 S *	4/2008	Brassard	D14/434
D684,980 S *	6/2013	Chun	D14/447
D685,379 S *	7/2013	Richter	D14/253
D685,380 S *	7/2013	Richter	D14/253
D717,307 S *	11/2014	Chun	D14/447
D742,387 S *	11/2015	Xiang	D14/447
D750,612 S *	3/2016	Chen	D14/253
D766,908 S *	9/2016	Richter	D14/447

(Continued)

1 Claim, 18 Drawing Sheets



(56)

References Cited

U.S. PATENT DOCUMENTS

D784,923 S *	4/2017	Song	D13/108
D804,487 S *	12/2017	Theis	D14/447
D825,574 S *	8/2018	Davies	D14/447
D859,393 S *	9/2019	Dang	D14/253
D861,670 S *	10/2019	Li	D14/253

* cited by examiner

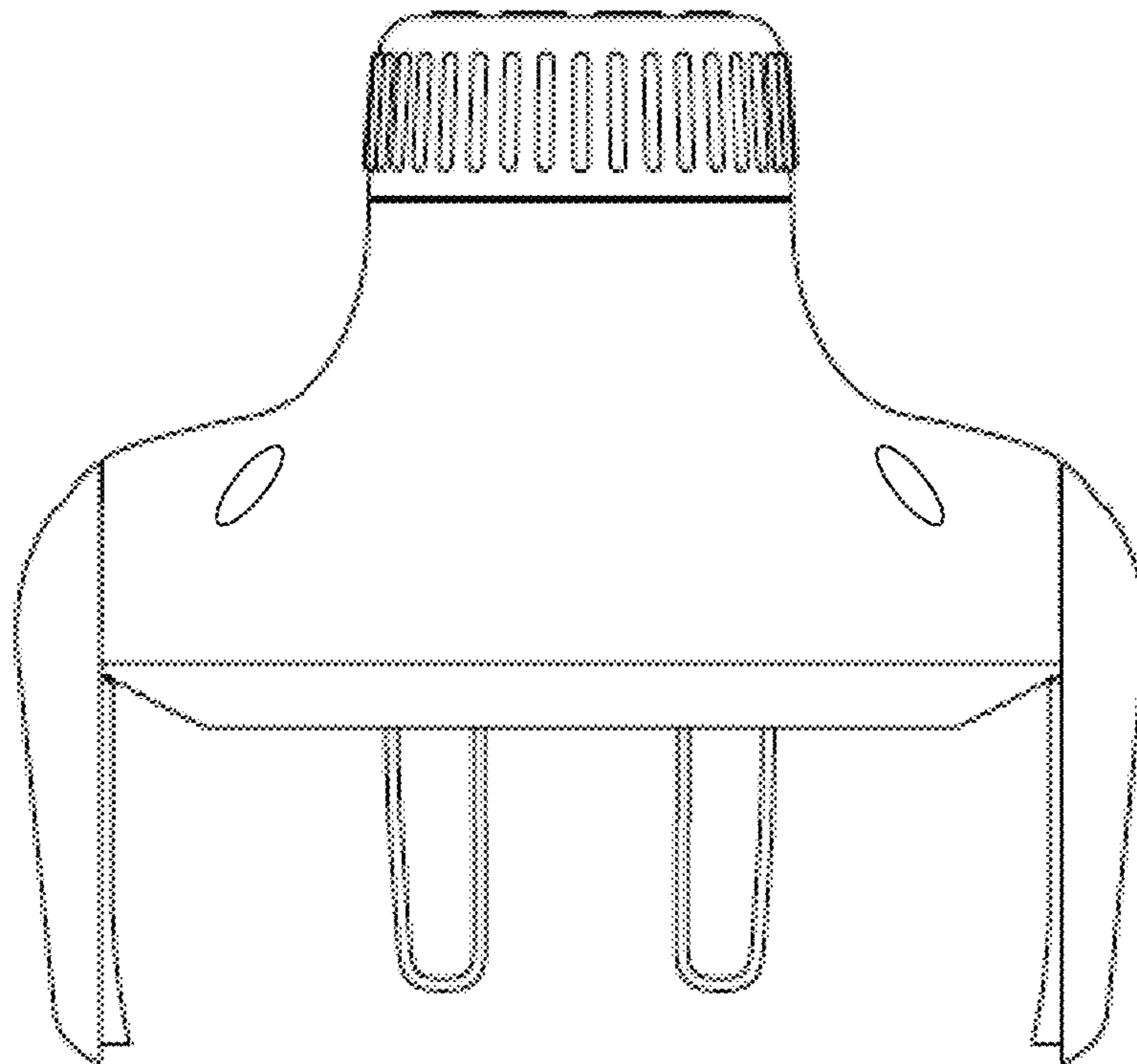


FIG. 1

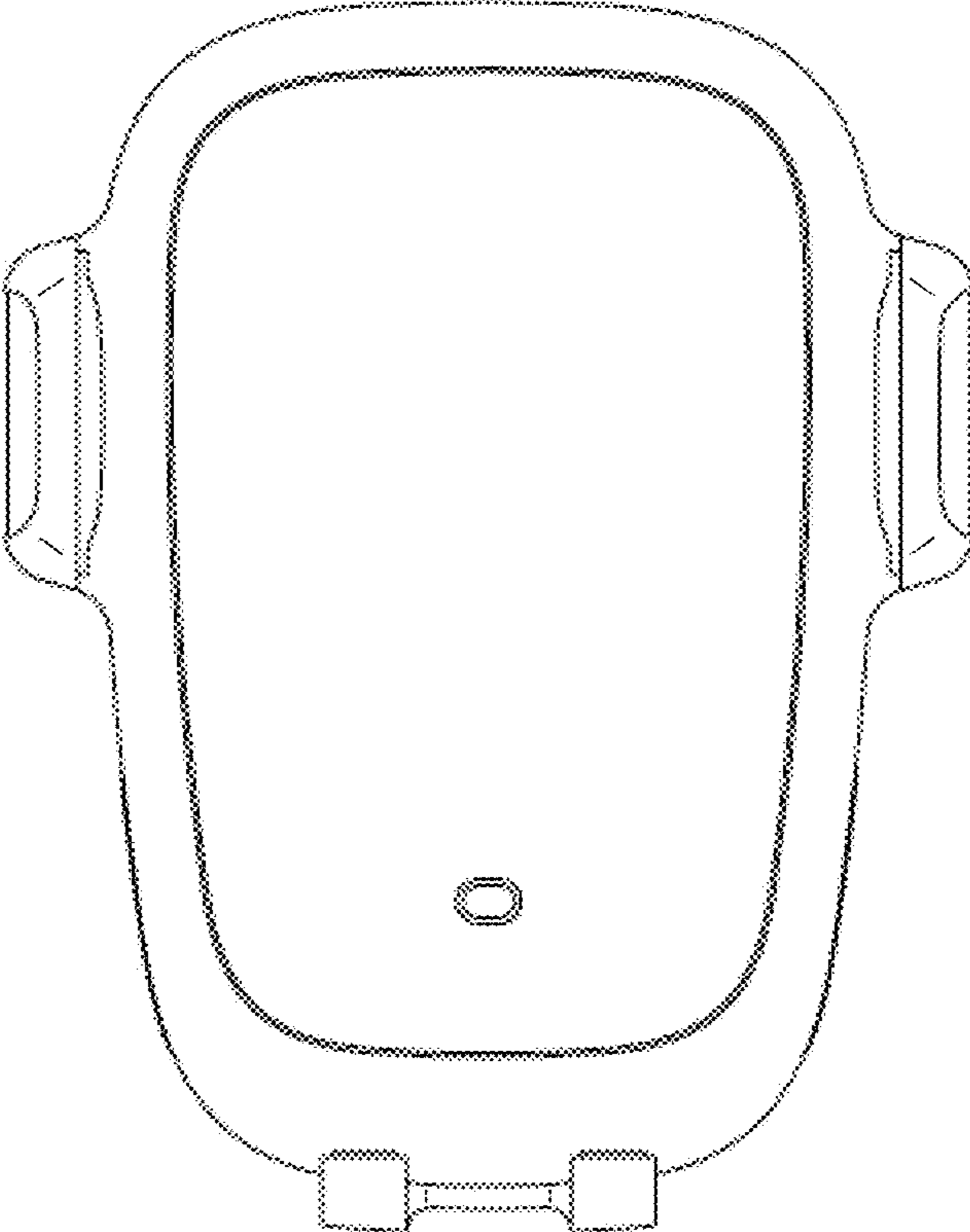


FIG. 2

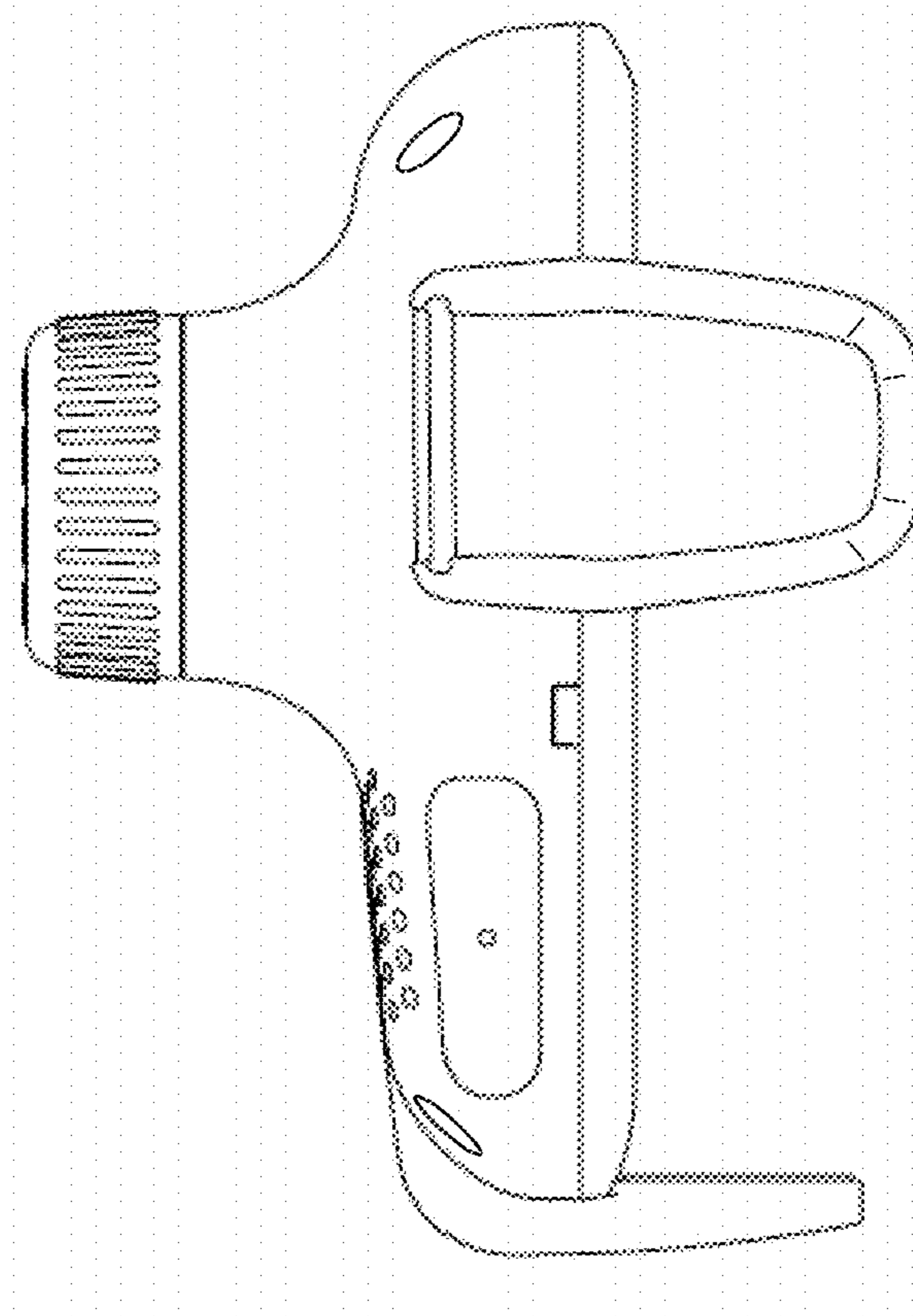


FIG. 3

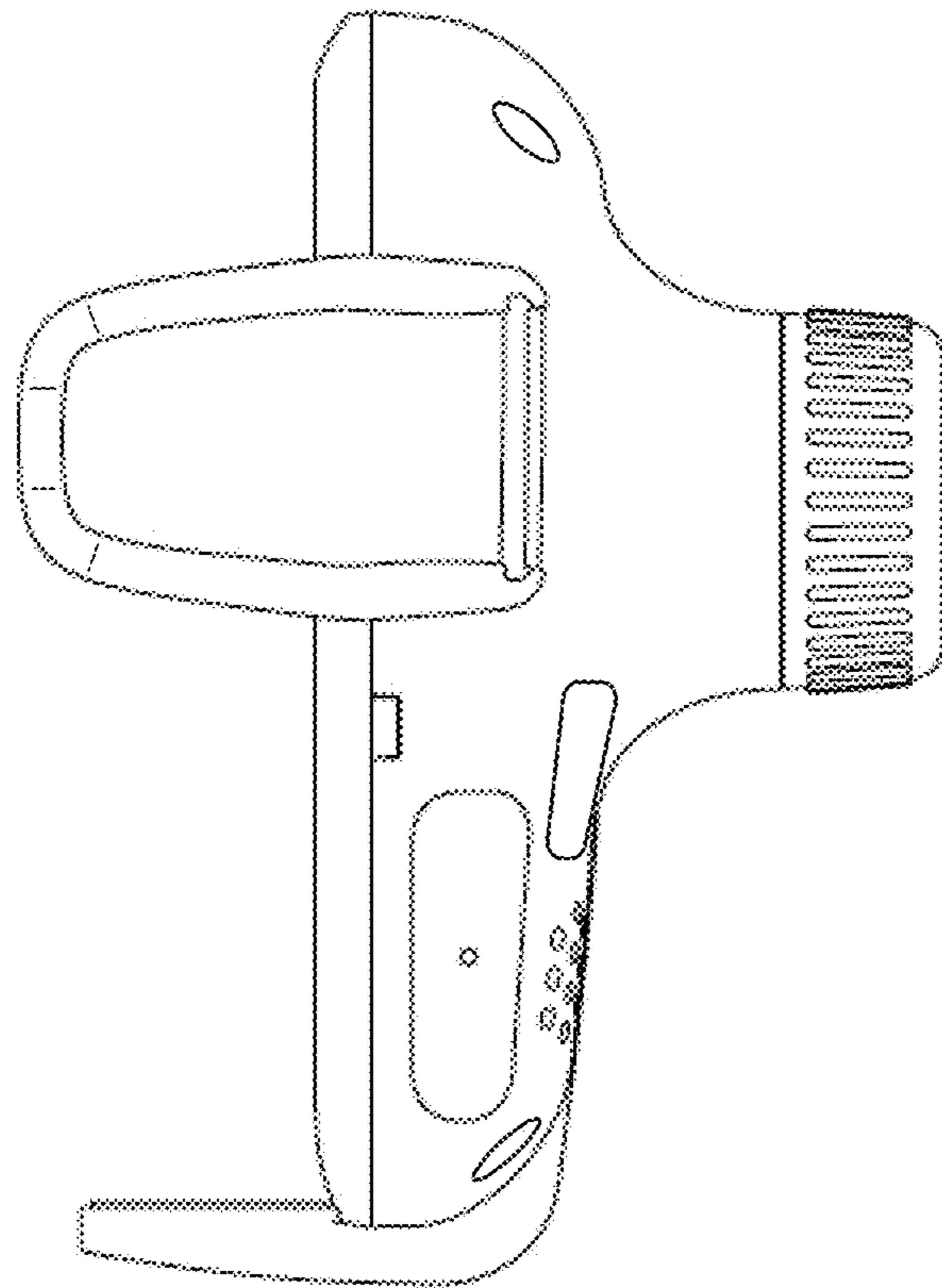


FIG. 4

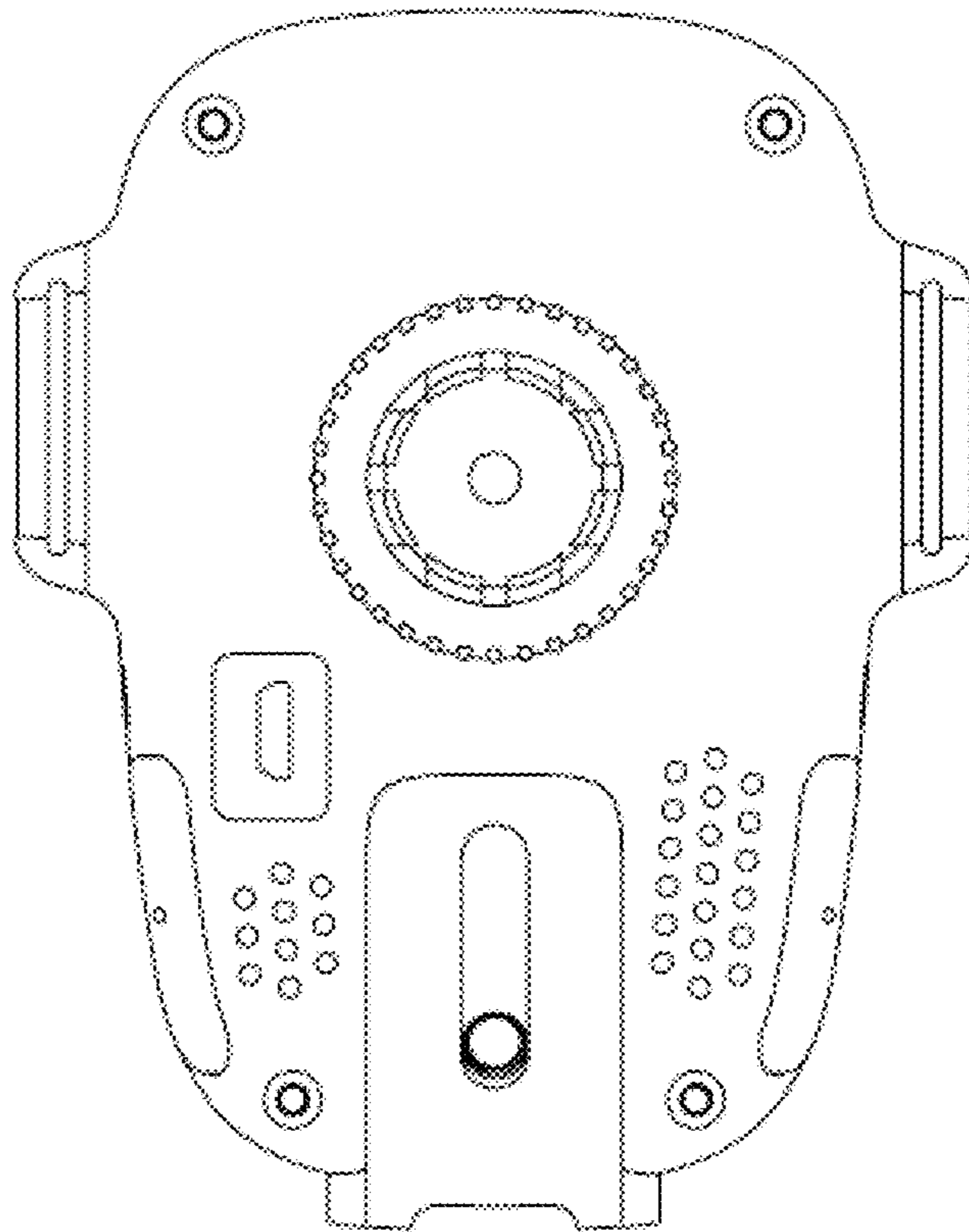


FIG. 5

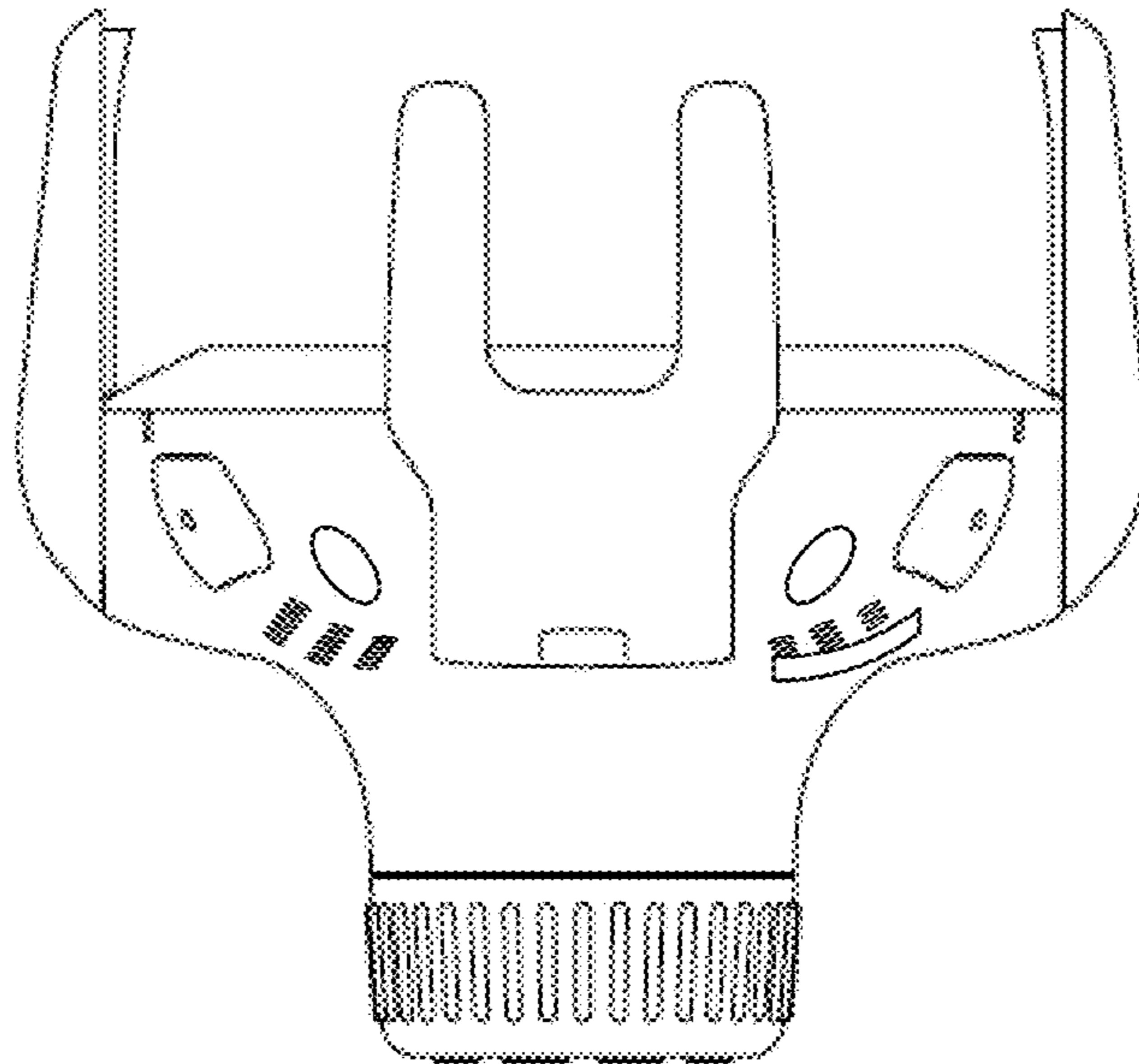


FIG. 6

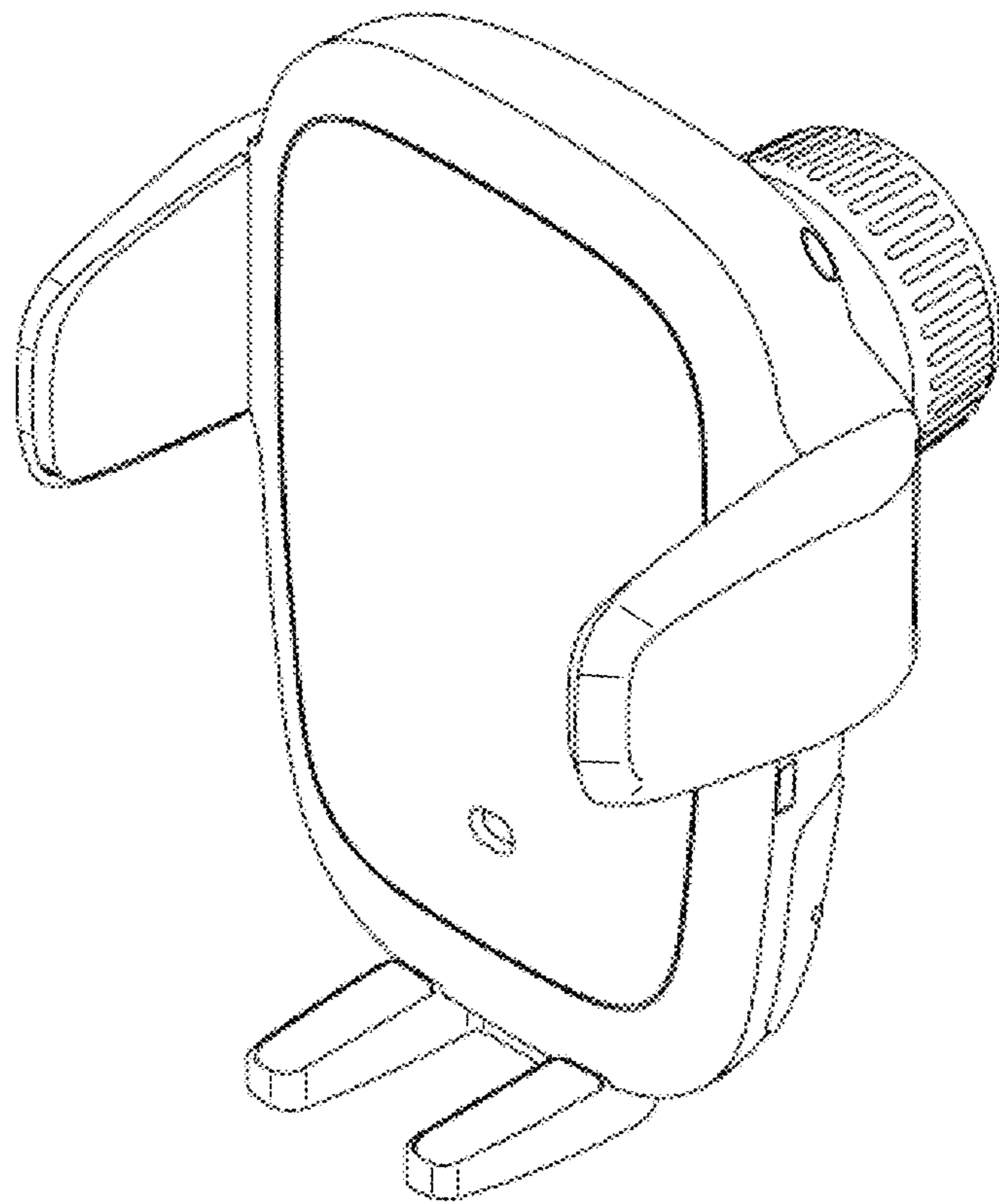


FIG. 7

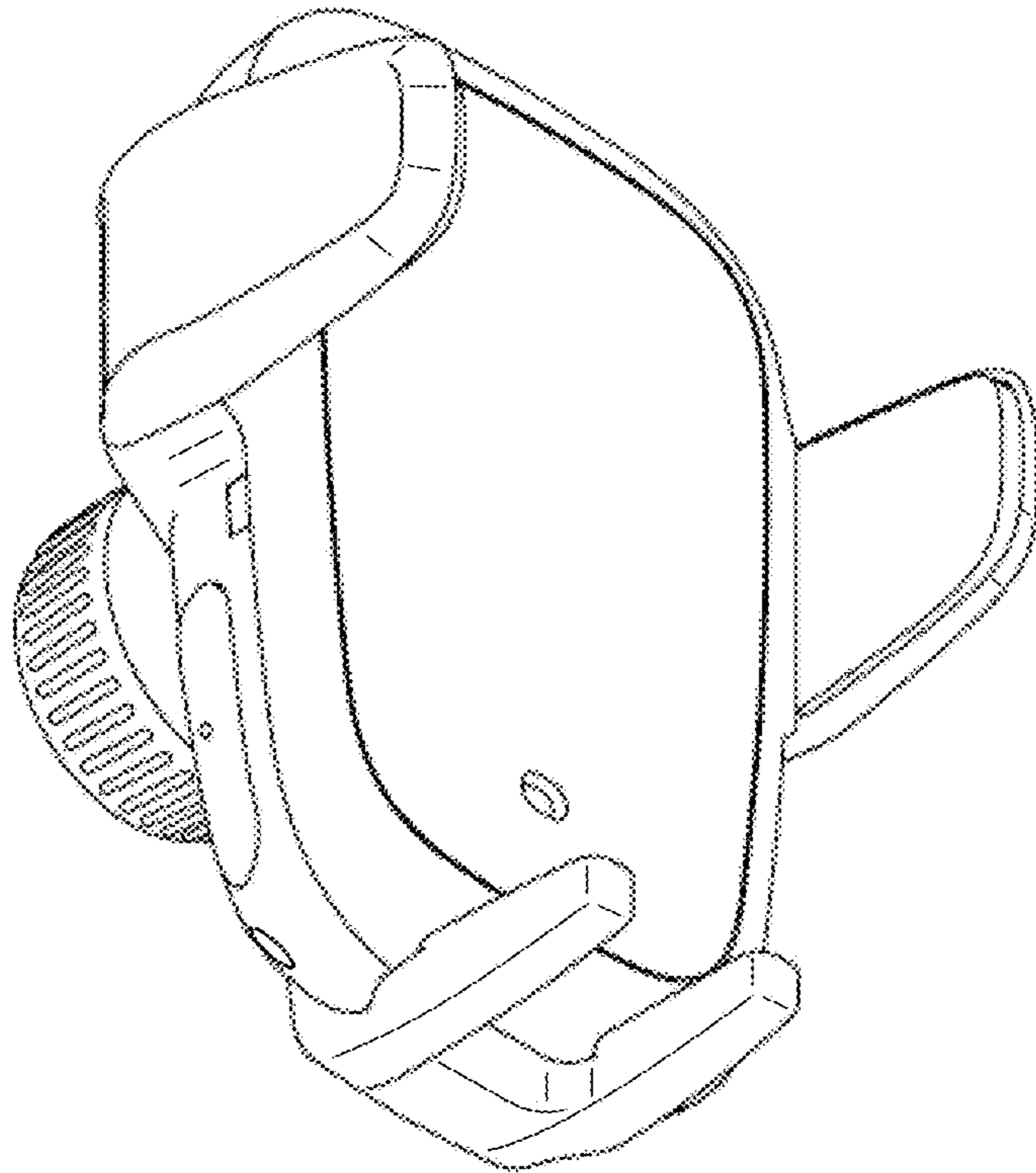


FIG. 8

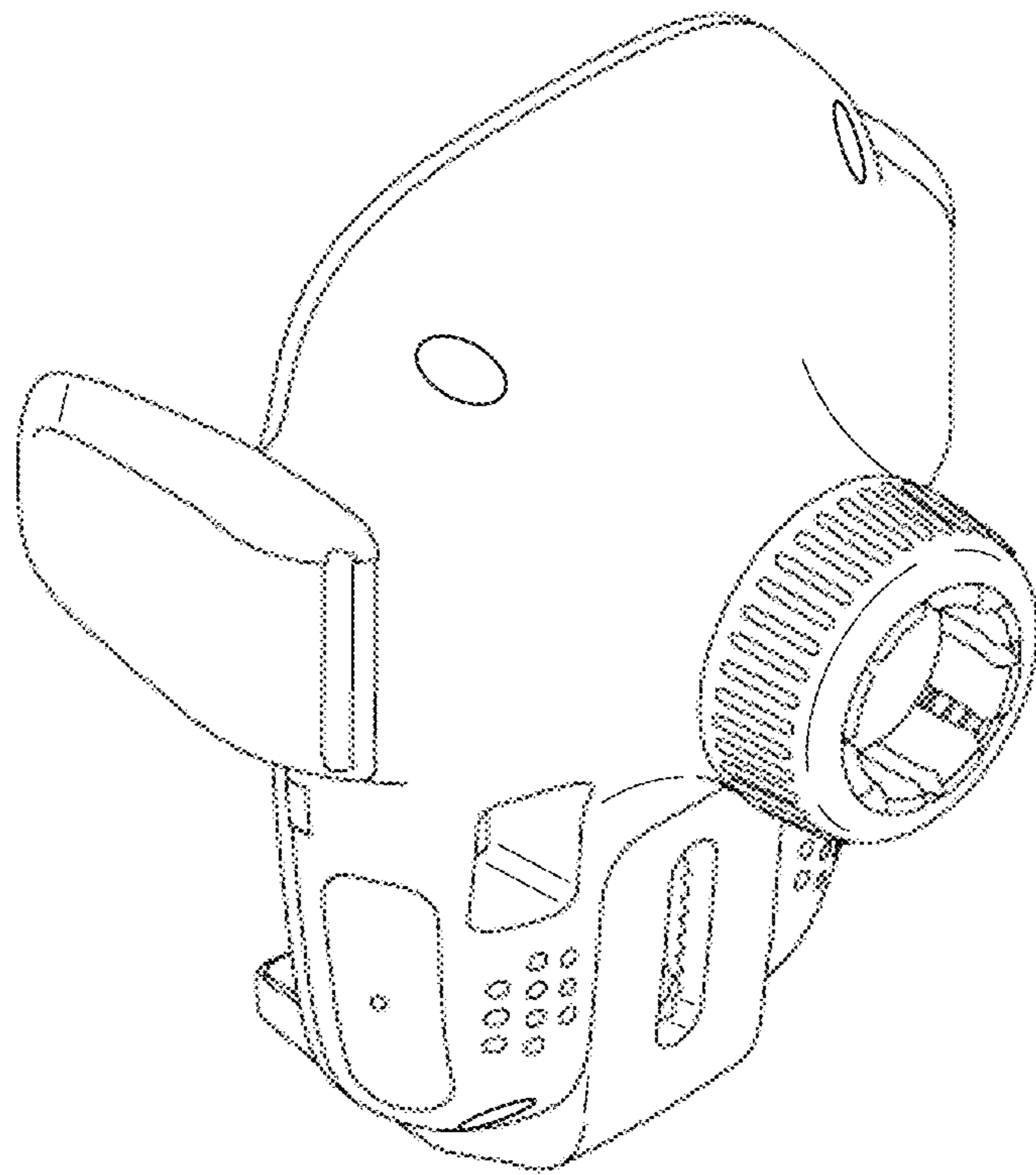


FIG. 9

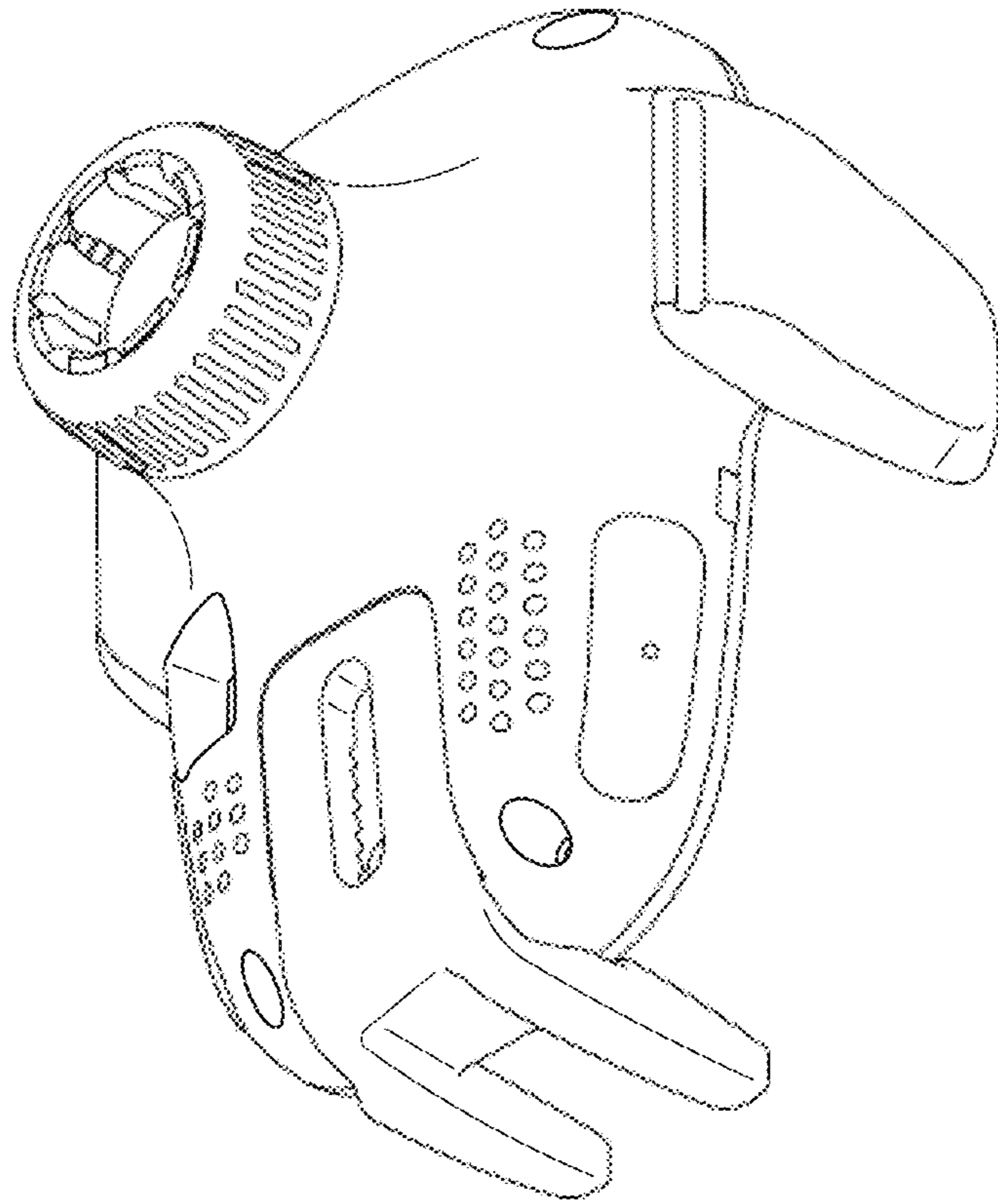


FIG. 10

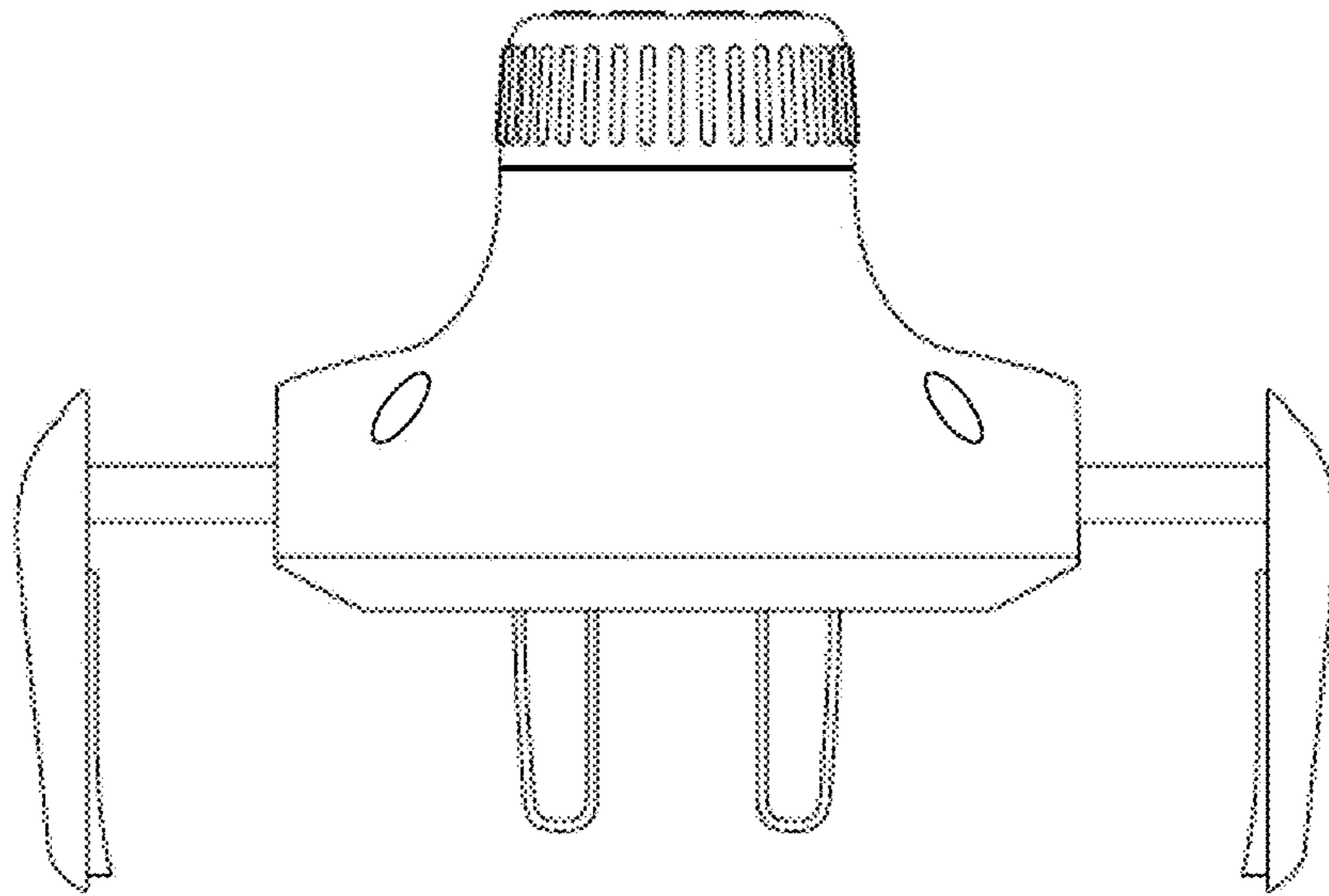


FIG. 11

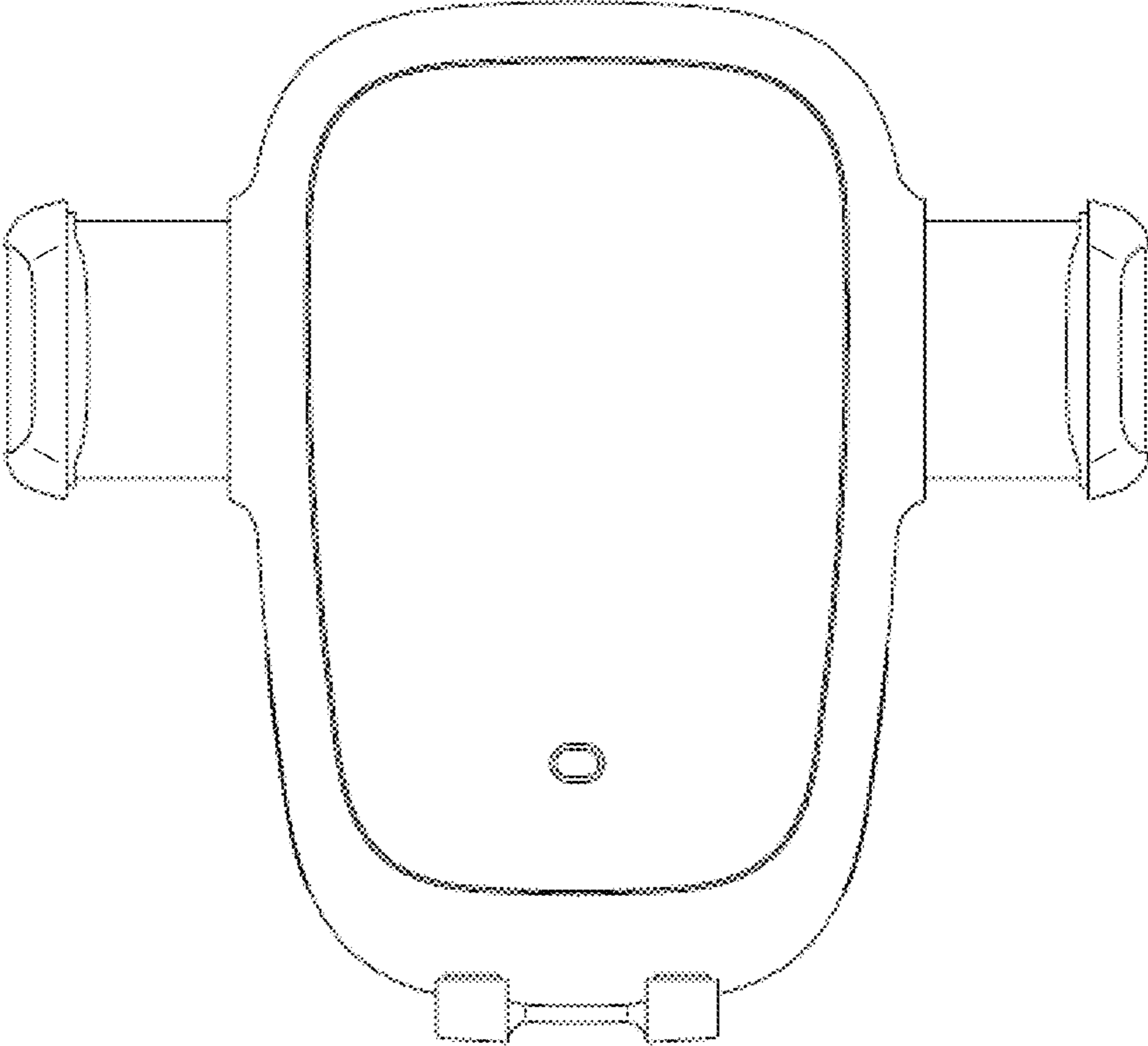


FIG. 12

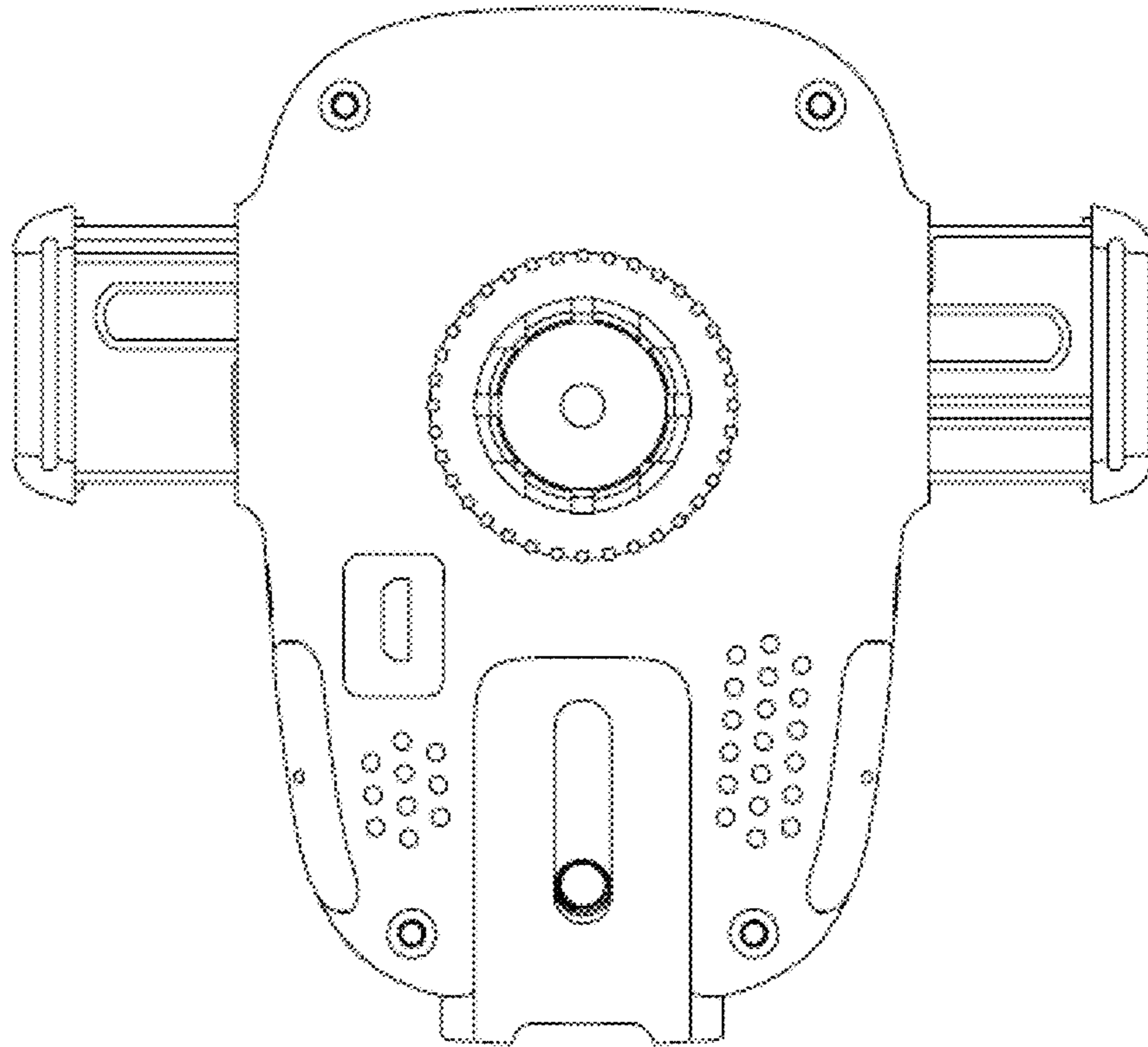


FIG. 13

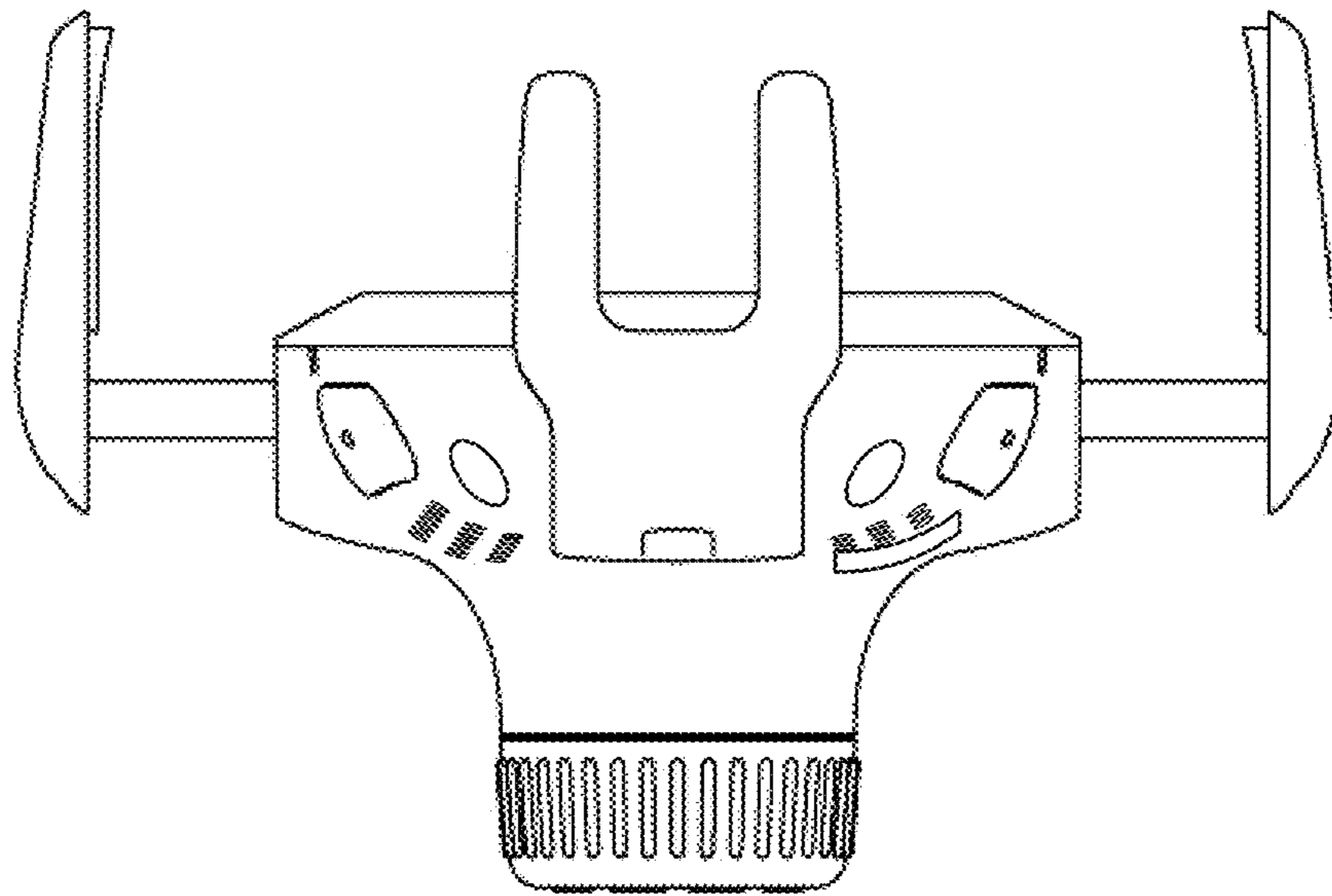


FIG. 14

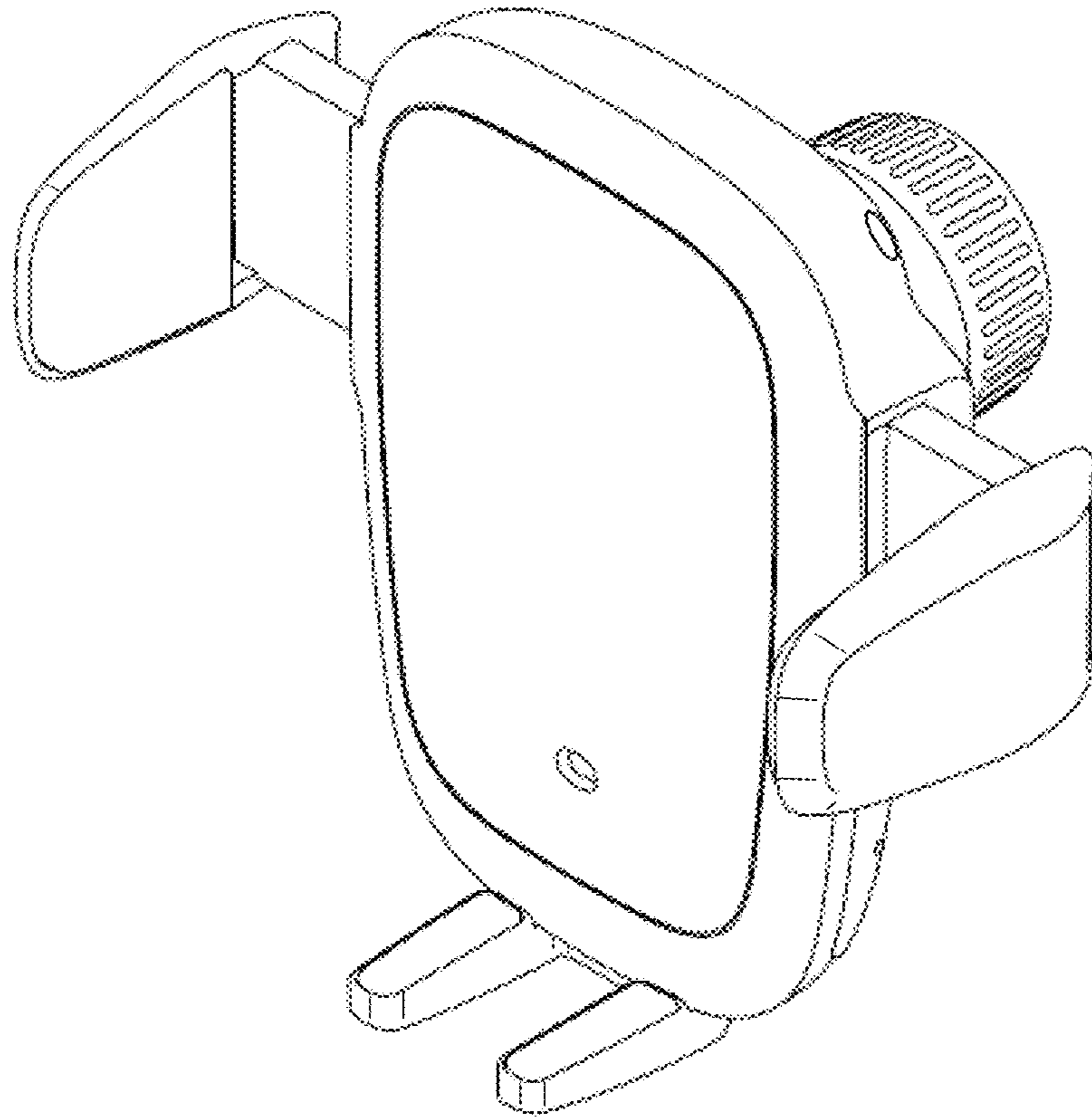


FIG. 15

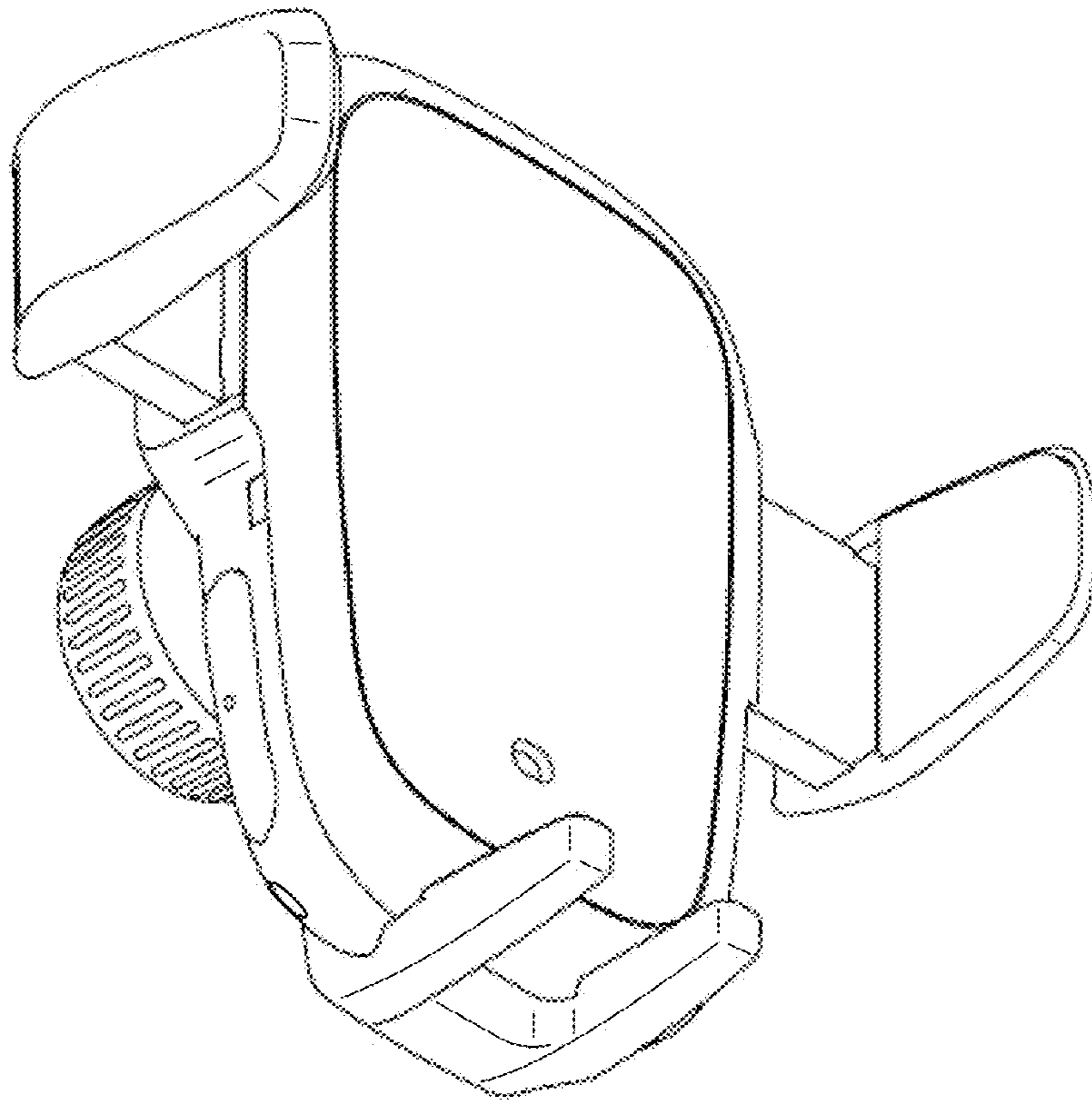


FIG. 16

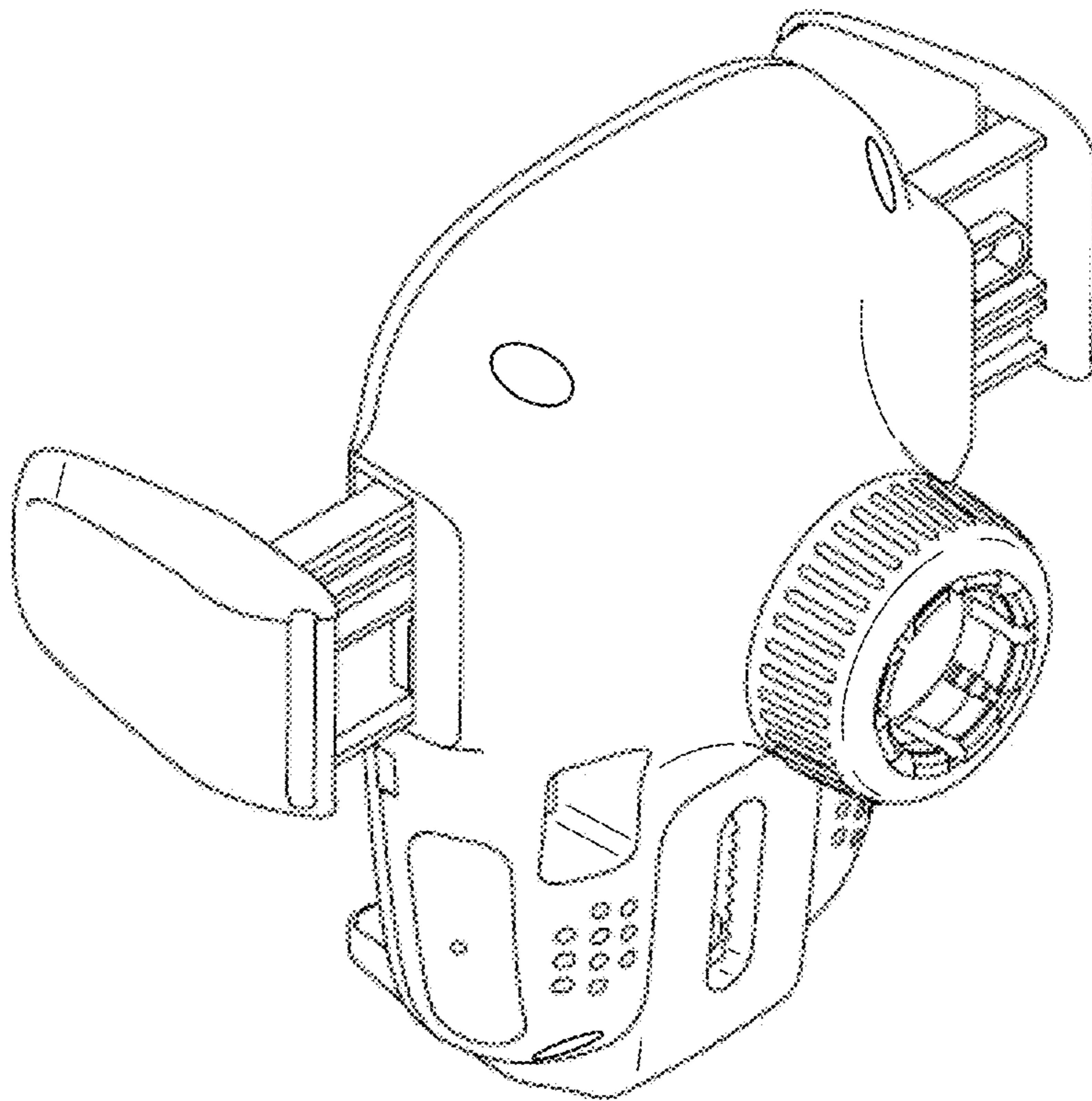


FIG. 17

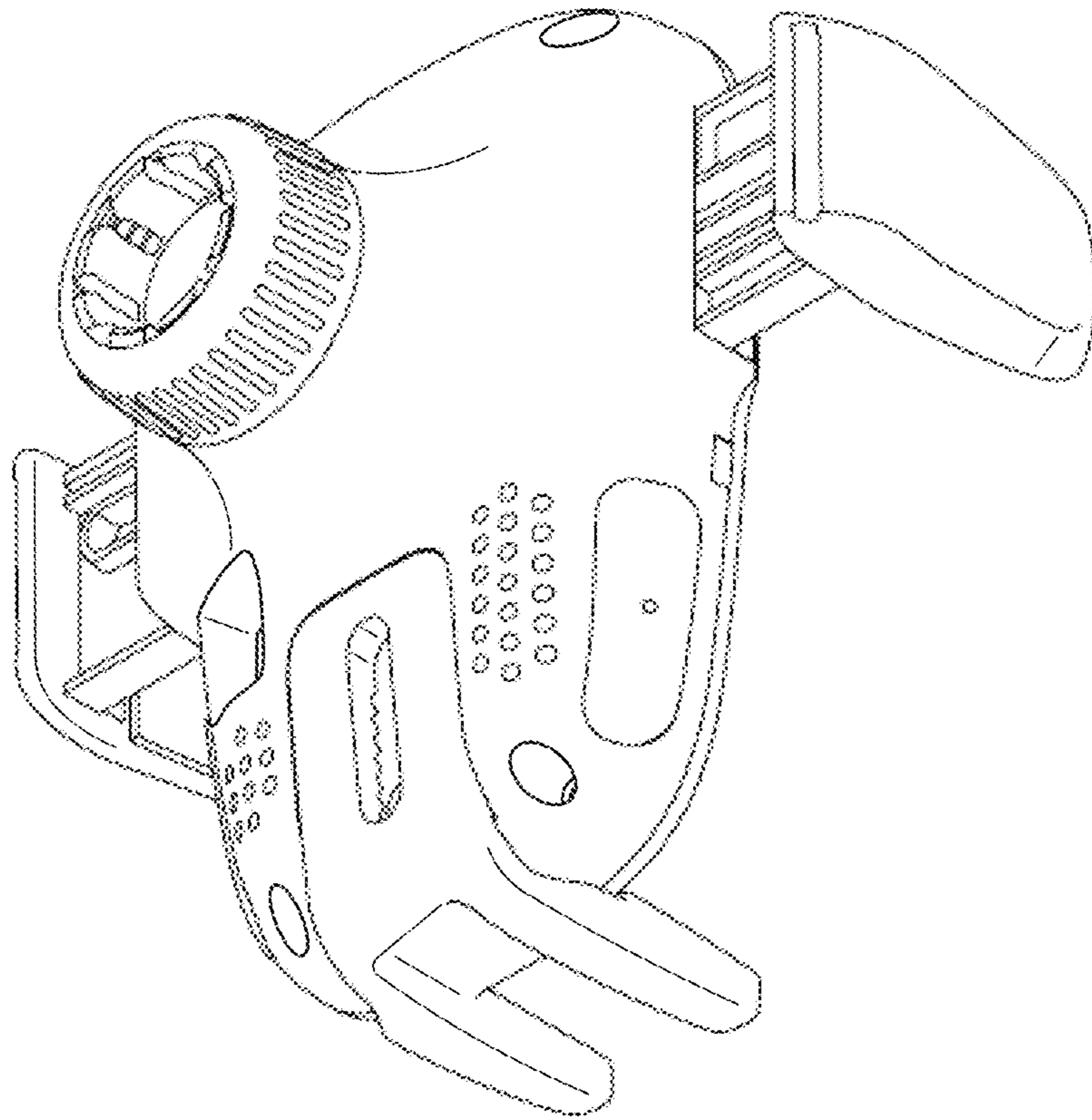


FIG. 18