



US00D887414S

(12) **United States Design Patent**  
**Jiang**

(10) **Patent No.:** **US D887,414 S**  
(45) **Date of Patent:** **\*\* Jun. 16, 2020**

- (54) **DOCKING STATION**
- (71) Applicant: **Shenzhen Baikerui Industrial Co., Ltd.**, Shenzhen (CN)
- (72) Inventor: **Lifang Jiang**, Shenzhen (CN)
- (\*\*) Term: **15 Years**
- (21) Appl. No.: **29/685,356**
- (22) Filed: **Mar. 28, 2019**
- (51) **LOC (12) Cl.** ..... **14-02**
- (52) **U.S. Cl.**  
USPC ..... **D14/434**
- (58) **Field of Classification Search**  
USPC ... D14/434, 433, 435, 435.1, 356, 357, 358, D14/440, 447, 251-253, 432, 451, 452, D14/454, 217, 240, 299, 496, 171; D13/103, 107, 108, 184, 110, 123, 133, D13/135; D21/333  
CPC ..... G06F 1/1632; G06F 13/00; G06F 13/38; G06F 13/382; G06F 13/385; G06F 13/387; G06F 3/065; G06F 9/541; G06F 2213/3814; G06F 2213/40; G06F 2213/4004; H01R 31/06; H01R 31/065; H01R 27/00; H01R 13/512; H01R 13/62; H04R 5/04  
See application file for complete search history.

- D673,571 S \* 1/2013 Akana ..... D14/447
  - D676,414 S \* 2/2013 Holzer ..... D14/172
  - D689,858 S \* 9/2013 Lo ..... D14/357
  - D692,024 S \* 10/2013 Seong ..... D14/496
  - D701,213 S \* 3/2014 Pajic ..... D14/447
  - 8,824,135 B2 \* 9/2014 Tachibana ..... G06F 1/1632  
345/169
  - D724,597 S \* 3/2015 Akana ..... D14/447
  - D732,036 S \* 6/2015 Lee ..... D14/434
  - 9,170,609 B2 \* 10/2015 Yaojun ..... G06F 1/1632
  - D747,322 S \* 1/2016 Li ..... D14/447
- (Continued)

**OTHER PUBLICATIONS**

Docking stations. Design—© Questel) orbit.com. [online PDF] 48 pgs. Print Dates Range from Aug. 5, 2015 through Nov. 22, 2019. [retrieved Jan. 31, 2020] <https://sobjprd.questel.fr/export/QPTUJ214/pdf2/2bc6a343-51ab-4299-a2e4-d476e47234a6-181003.pdf>.\*

*Primary Examiner* — Marie D. Fast Horse  
(74) *Attorney, Agent, or Firm* — Prakash Nama; Global IP Services, PLLC

(57) **CLAIM**

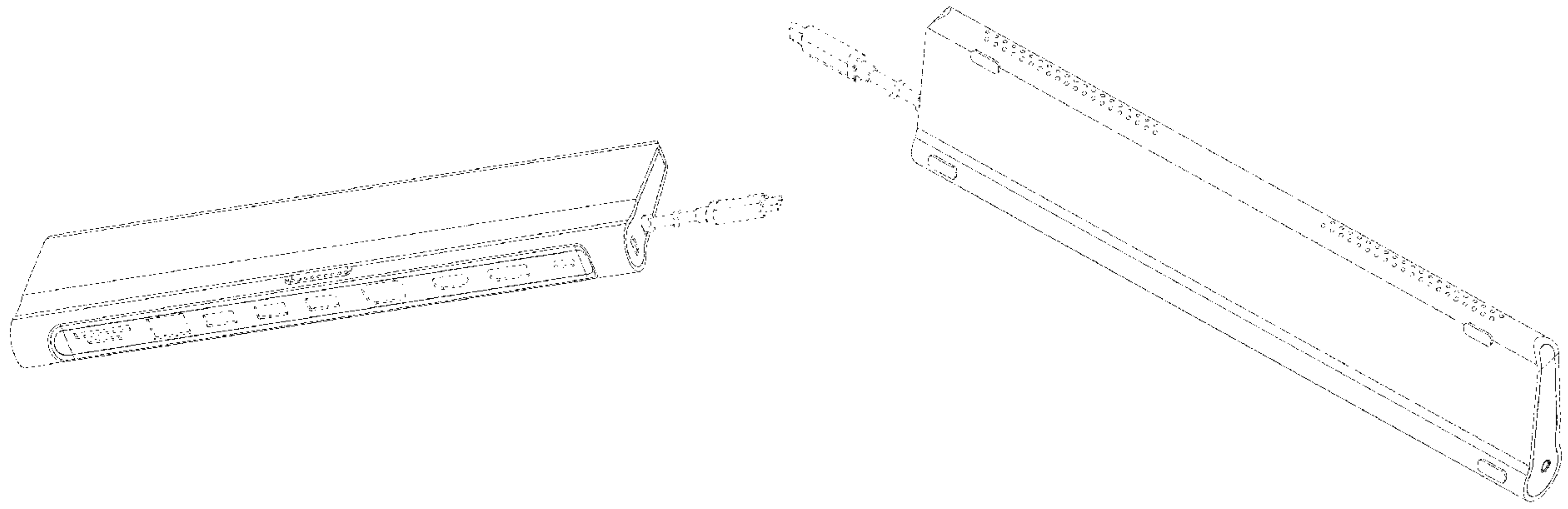
The ornamental design for a docking station, as shown and described.

**DESCRIPTION**

FIG. 1 is a front elevational view of a docking station showing my new design;  
FIG. 2 is a rear elevational view thereof;  
FIG. 3 is an enlarged left side view thereof;  
FIG. 4 is an enlarged right side view thereof;  
FIG. 5 is a top plan view thereof;  
FIG. 6 is a bottom plan view thereof;  
FIG. 7 is a perspective view thereof; and,  
FIG. 8 is another perspective view thereof.  
The broken lines shown in the drawings depict portions of the docking station that form no part of the claimed design.

**1 Claim, 8 Drawing Sheets**

- (56) **References Cited**  
U.S. PATENT DOCUMENTS
- D430,882 S \* 9/2000 Tsai ..... D14/434
- 6,321,340 B1 \* 11/2001 Shin ..... G06F 1/1632  
713/310
- 7,350,011 B2 \* 3/2008 Keely ..... G06F 1/1632  
361/679.55
- 7,503,808 B1 \* 3/2009 O'Shea ..... H01R 31/065  
439/639
- D642,172 S \* 7/2011 Akana ..... D14/318
- D655,351 S \* 3/2012 Zenri ..... D21/333
- D656,555 S \* 3/2012 Zenri ..... D21/333





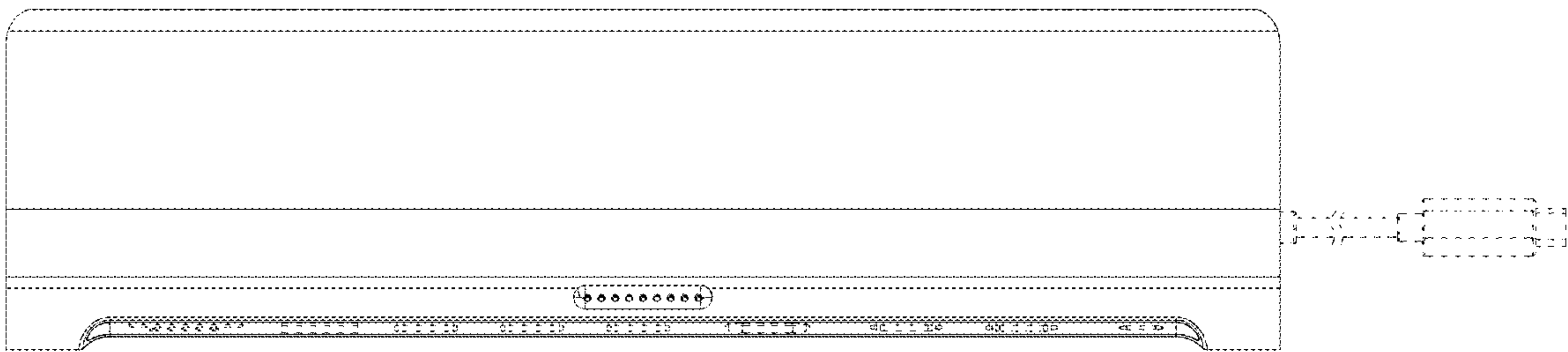


Fig. 1

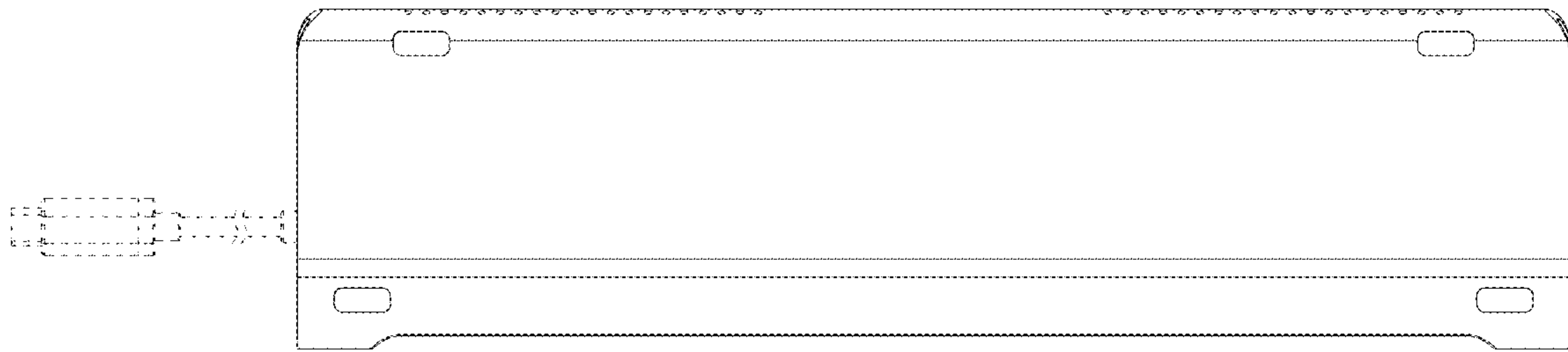


Fig. 2

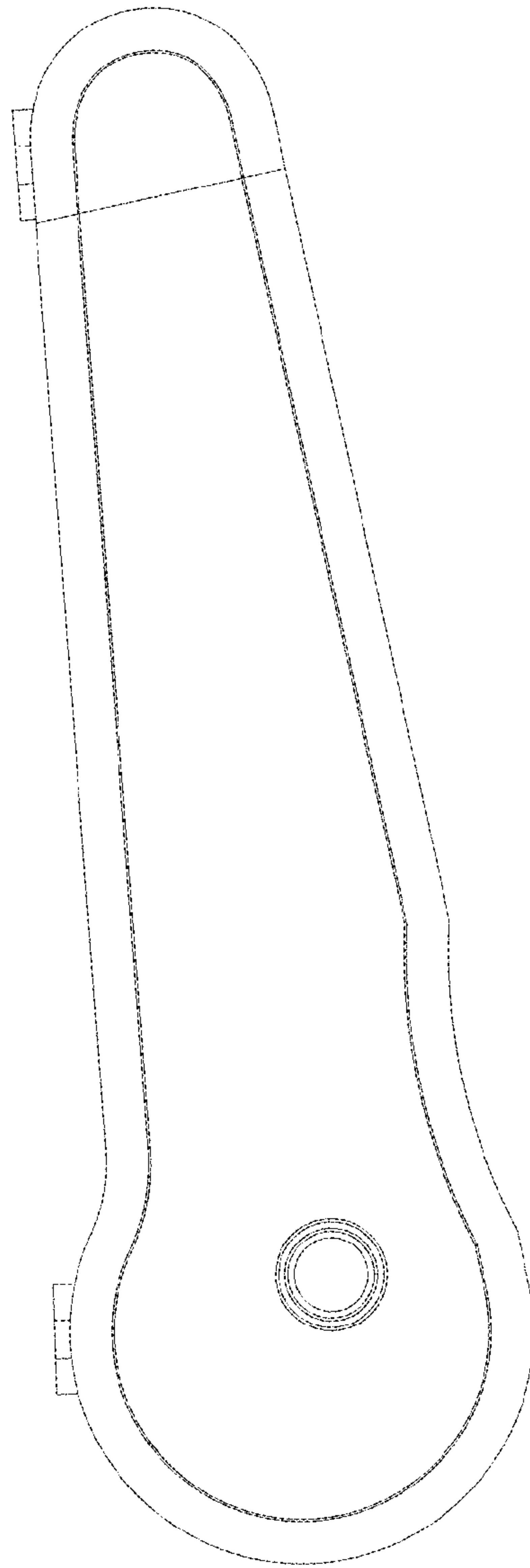


Fig. 3

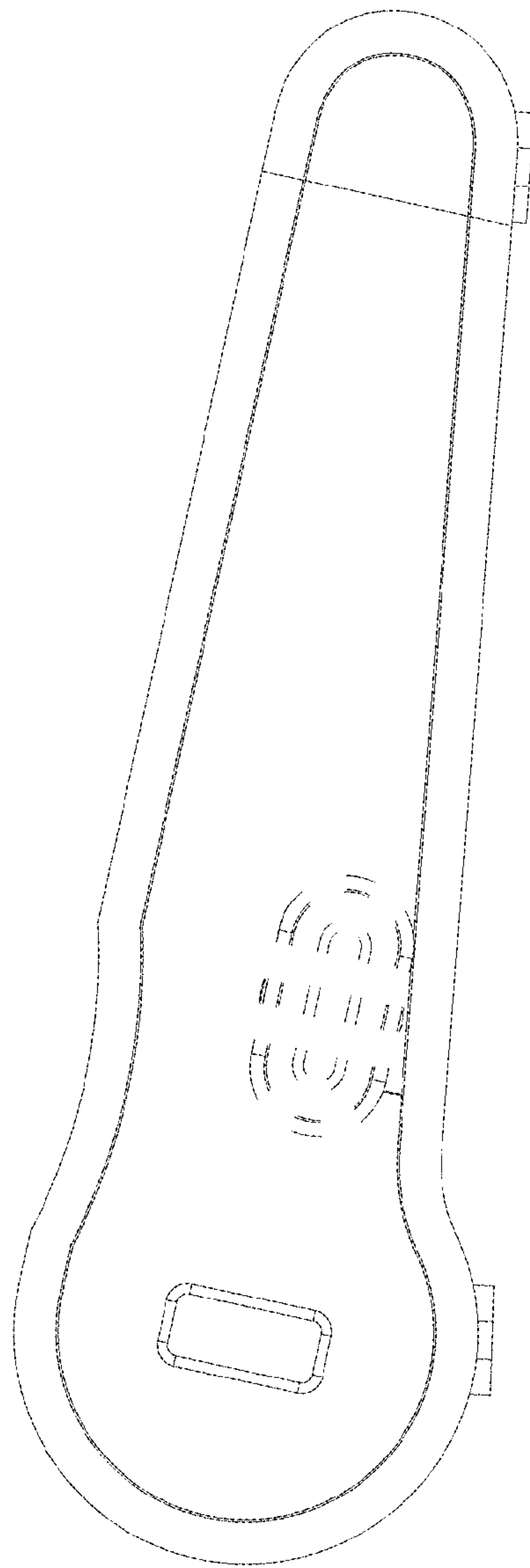


Fig. 4

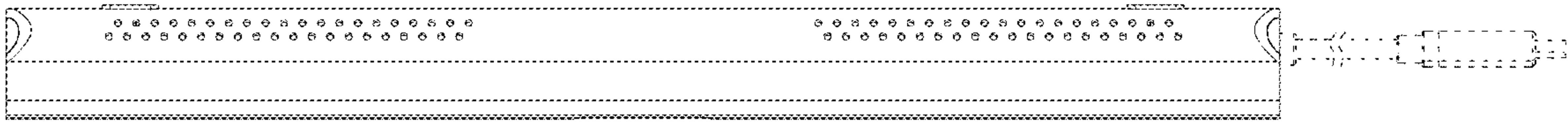


Fig. 5

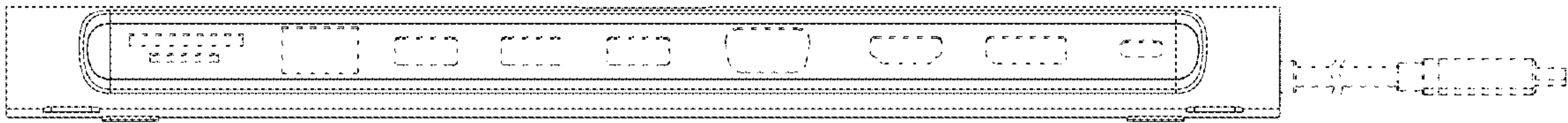


Fig. 6



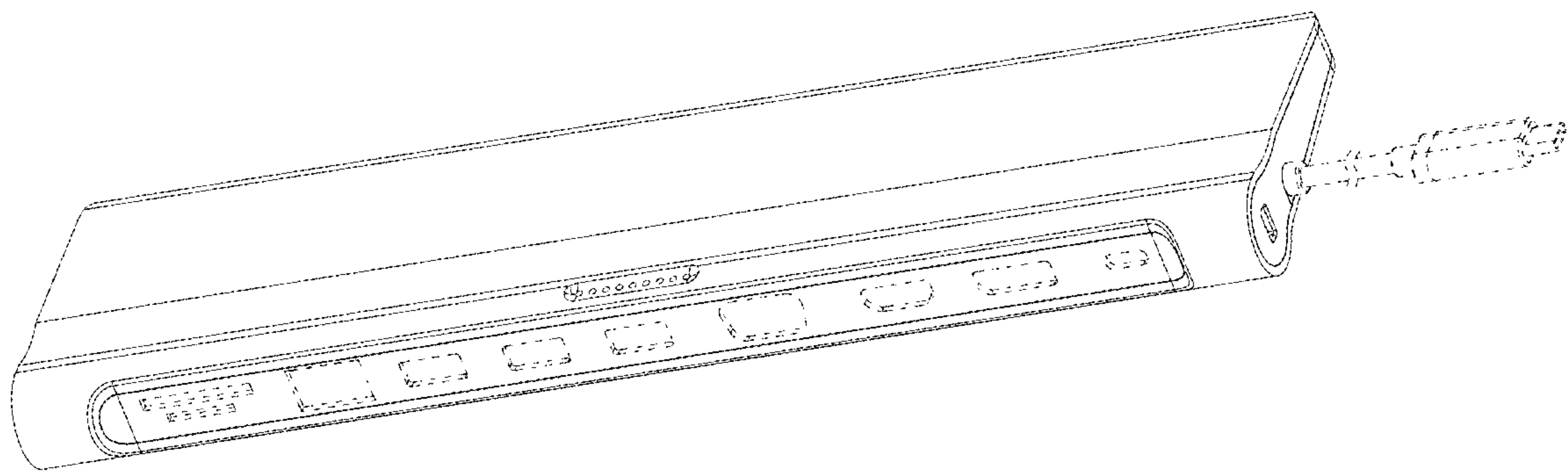


Fig. 7

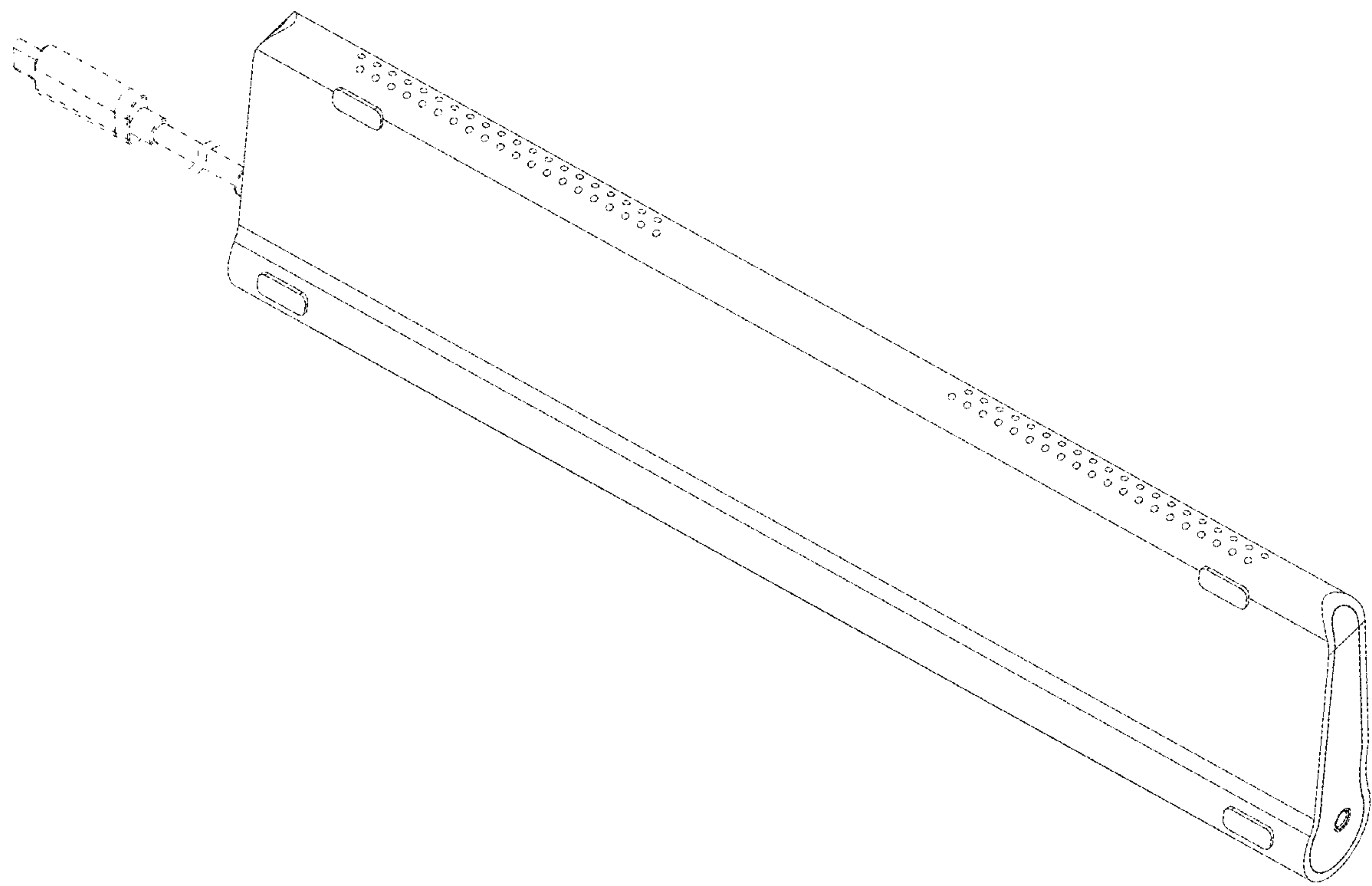


Fig. 8