



US00D887413S

(12) **United States Design Patent**
Lou

(10) **Patent No.:** **US D887,413 S**
(45) **Date of Patent:** **** Jun. 16, 2020**

(54) **LAPTOP DOCKING STATION HOLDER**

(71) Applicant: **Ningbo Lede Computer Technology Co., Ltd.**, Yuyao, Zhejiang (CN)

(72) Inventor: **Yuman Lou**, Zhejiang (CN)

(73) Assignee: **Ningbo Lede Computer Technology Co., Ltd.**, Yuyao, Zhejiang (CN)

(**) Term: **15 Years**

(21) Appl. No.: **29/683,454**

(22) Filed: **Mar. 13, 2019**

(51) **LOC (12) Cl.** **14-02**

(52) **U.S. Cl.**
USPC **D14/434**

(58) **Field of Classification Search**

USPC ... D14/434, 433, 435, 435.1, 356, 357, 358, D14/440, 447, 251-253, 432, 451, 452, D14/454, 217, 240, 299, 496, 171; D13/103, 107, 108, 184, 110, 123, 133, D13/135; D21/333
CPC G06F 1/1632; G06F 13/00; G06F 13/38; G06F 13/382; G06F 13/385; G06F 13/387; G06F 3/065; G06F 9/541; G06F 2213/3814; G06F 2213/40; G06F 2213/4004; H01R 31/06; H01R 31/065; H01R 27/00; H01R 13/512; H01R 13/62; H04R 5/04

See application file for complete search history.

(56) **References Cited**

U.S. PATENT DOCUMENTS

D430,882 S *	9/2000	Tsai	D14/434
6,411,503 B1 *	6/2002	Kambayashi	361/679.41
6,724,615 B2 *	4/2004	Kambayashi	361/679.4
D493,790 S *	8/2004	Wu	D14/480.5
D510,562 S *	10/2005	Lodato	D13/108
D520,447 S *	5/2006	Liu	D13/108
D531,619 S *	11/2006	Chau	D14/217
D534,896 S *	1/2007	Lin	D14/188
D560,165 S *	1/2008	Matityahu	D13/133

(Continued)

OTHER PUBLICATIONS

Docks—Hubs—Converters. (Design—© Questel) orbit.com. [online PDF] 31 pgs. Print Dates Range from Mar. 18, 2008 through Dec. 3, 2019. [retrieved Jan. 31, 2020] <https://sobjprd.questel.fr/export/QPTUJ214/pdf2/5a9e9691-eb3b-4709-acae-a6a8b2e22c36-215657.pdf>.*

Primary Examiner — Marie D. Fast Horse

(74) *Attorney, Agent, or Firm* — Greensfelder, Hemker & Gale, P.C.

(57) **CLAIM**

I claim the ornamental design for a laptop docking station holder, as shown and described.

DESCRIPTION

FIG. 1 is an upper perspective view of a front side of a laptop docking station holder in accordance with the present design;

FIG. 2 is a top plan view of the laptop docking station holder of FIG. 1;

FIG. 3 is a bottom plan view of the laptop docking station holder of FIG. 1;

FIG. 4 is a right side plan view of the laptop docking station holder of FIG. 1;

FIG. 5 is a left side plan view of the laptop docking station holder of FIG. 1;

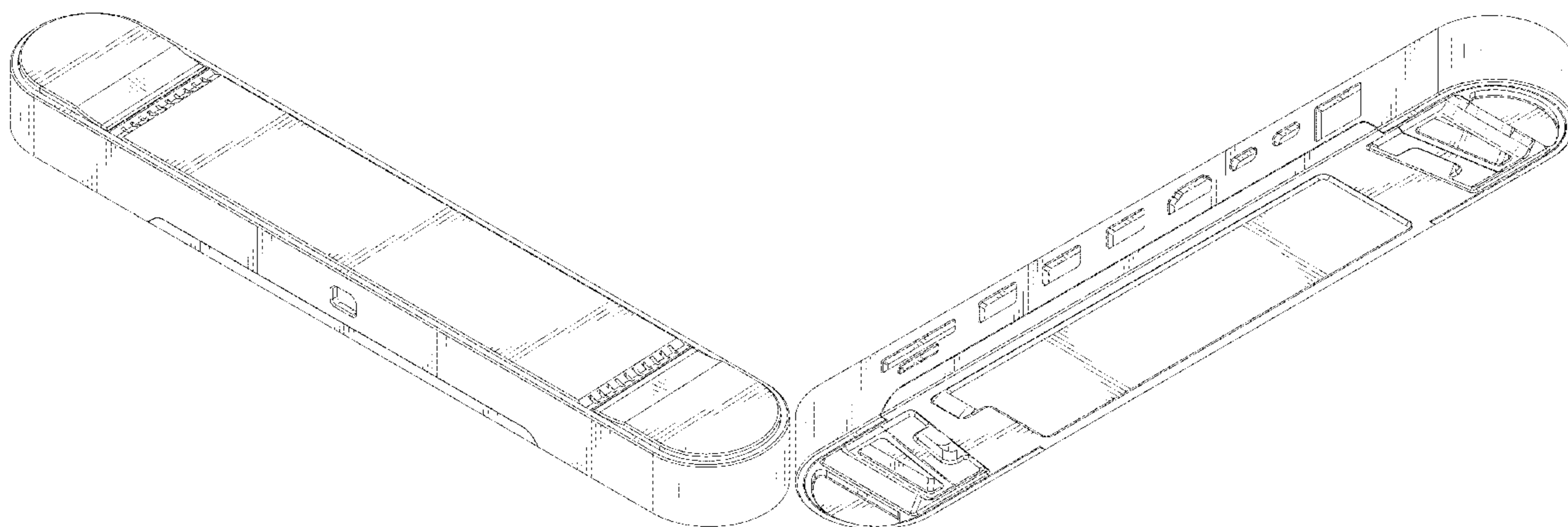
FIG. 6 is a rear plan view of the laptop docking station holder of FIG. 1;

FIG. 7 is a front plan view of the laptop docking station holder of FIG. 1; and,

FIG. 8 is a bottom perspective view of a rear side of the laptop docking station holder of FIG. 1.

Directional terms (such as top, bottom, etc.) are made with regard to the laptop docking station holder as shown and positioned in the drawings and are not intended to limit the scope of the invention.

1 Claim, 8 Drawing Sheets



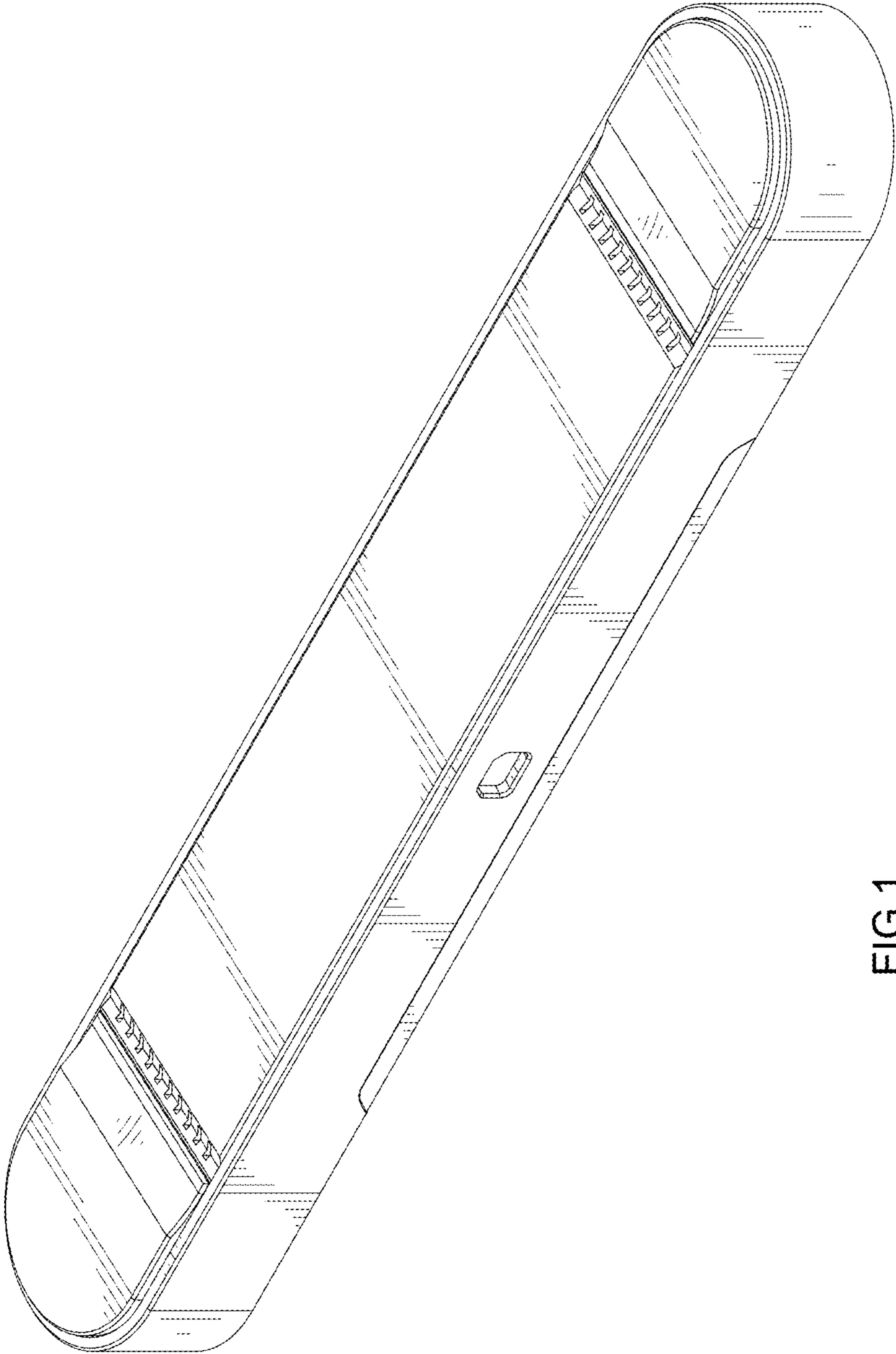


FIG.1

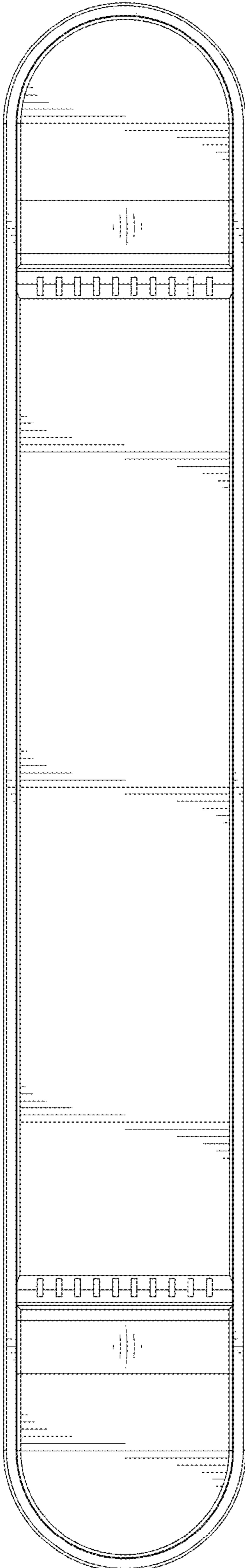


FIG.2

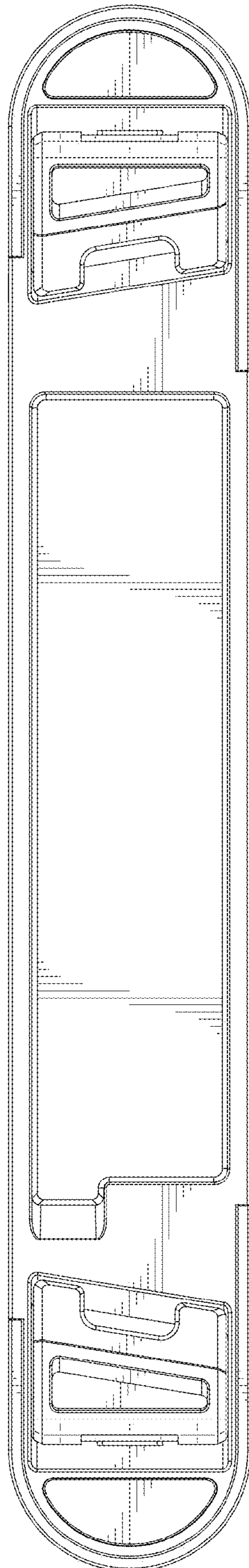


FIG.3

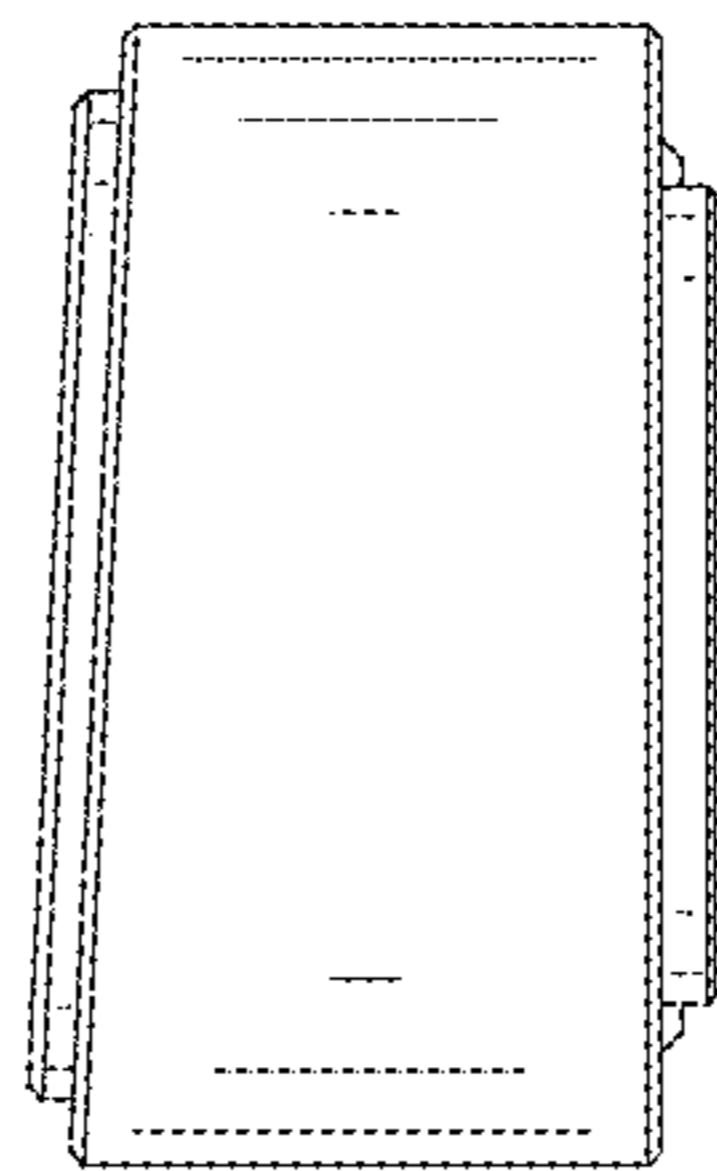


FIG.4

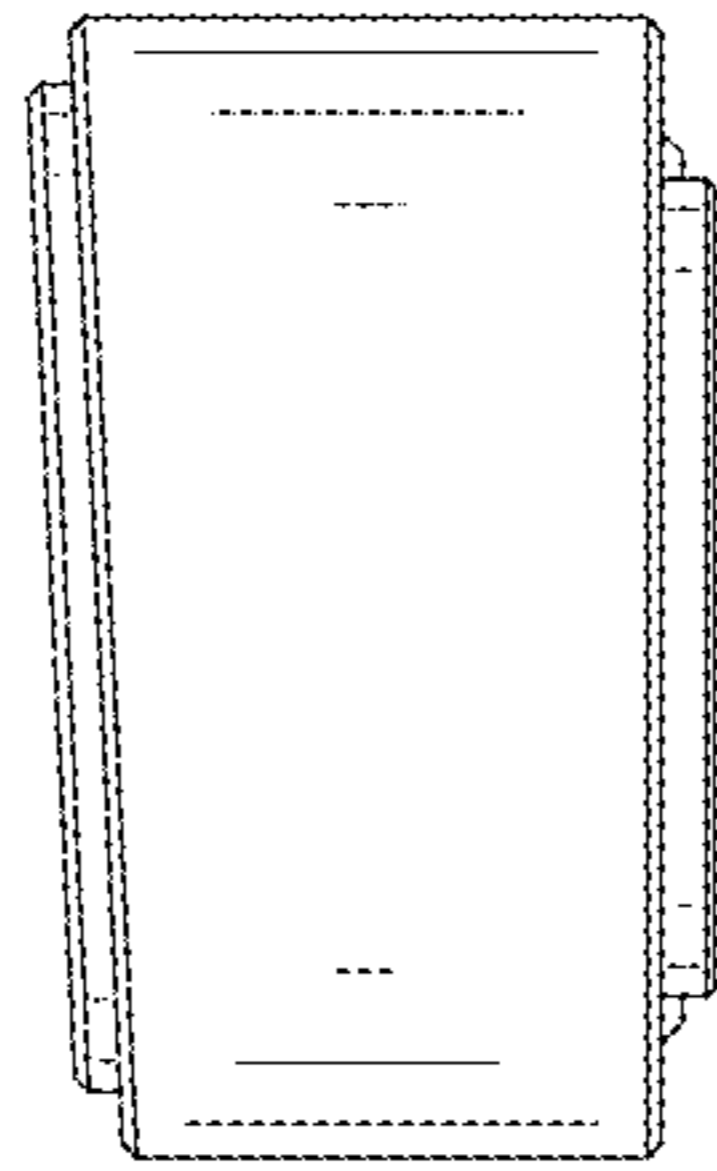


FIG.5

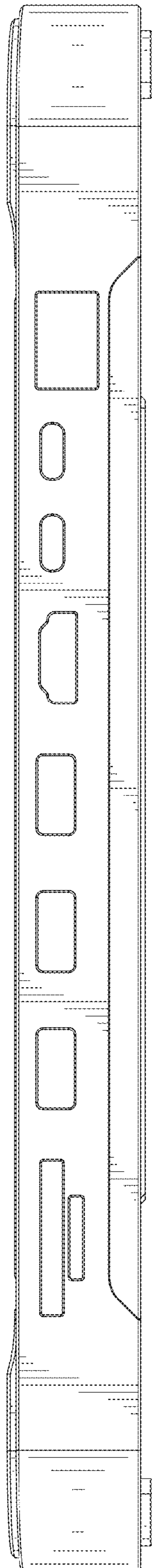


FIG.6

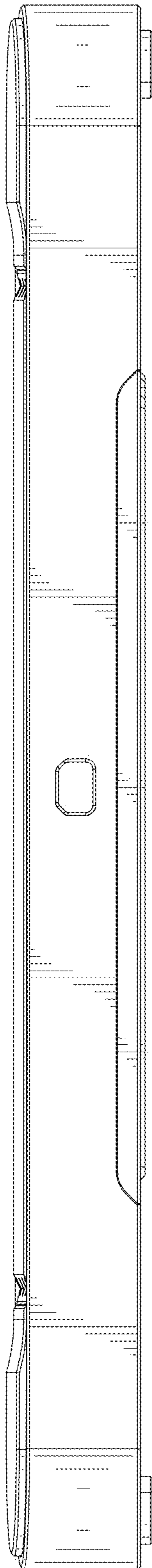


FIG.7

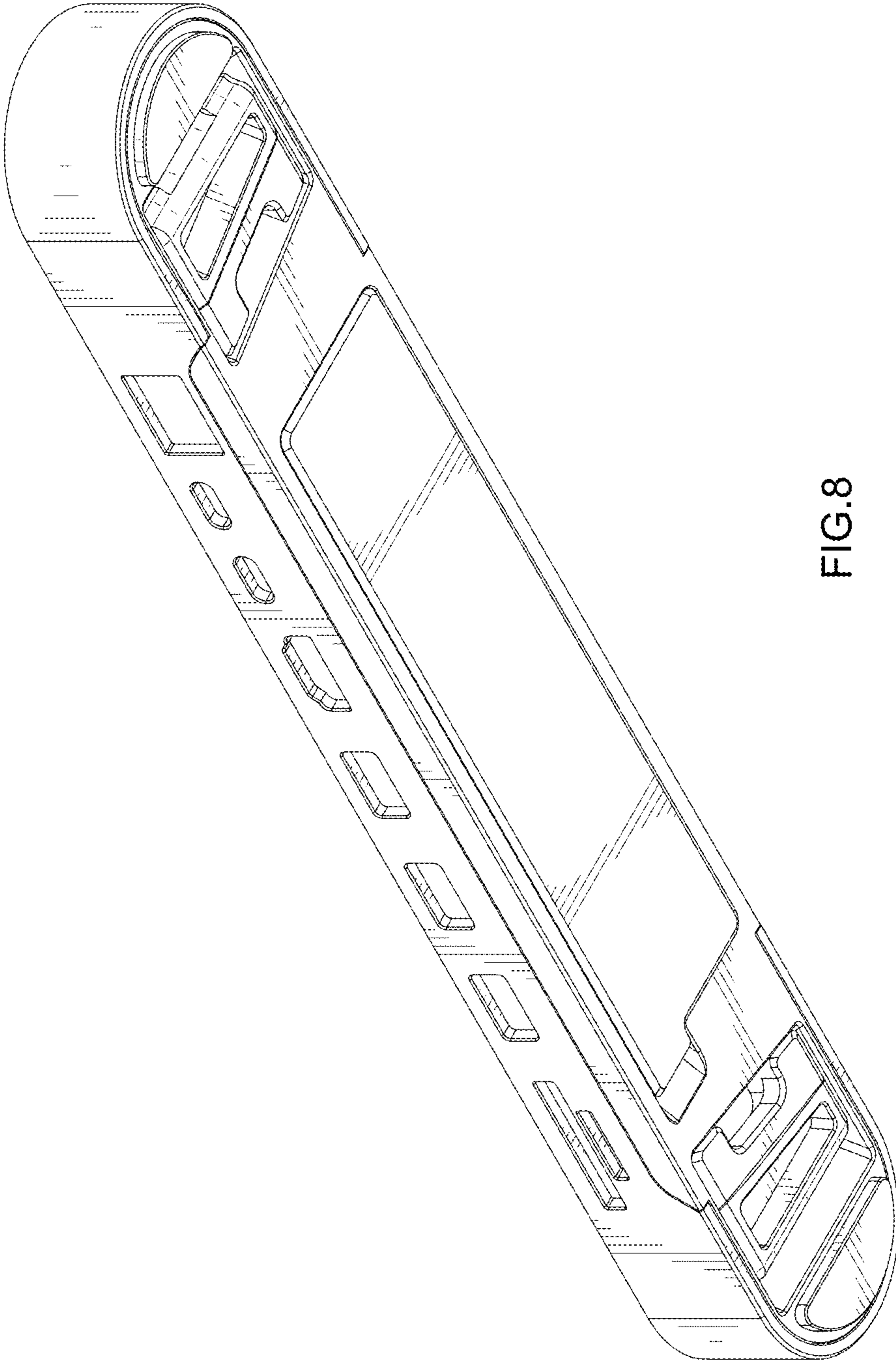


FIG. 8