



US00D887412S

(12) **United States Design Patent**  
**Nishizawa**

(10) **Patent No.:** **US D887,412 S**  
(45) **Date of Patent:** **\*\* Jun. 16, 2020**

(54) **COORDINATE INPUT INSTRUMENT**

(71) Applicant: **Wacom Co., Ltd.**, Kazo-shi, Saitama (JP)

(72) Inventor: **Naoya Nishizawa**, Tokyo (JP)

(73) Assignee: **Wacom Co., Ltd.**, Kazo-shi (JP)

(\*\*) Term: **15 Years**

(21) Appl. No.: **29/682,696**

(22) Filed: **Mar. 7, 2019**

(30) **Foreign Application Priority Data**

Sep. 7, 2018 (JP) ..... 2018-019512

(51) **LOC (12) Cl.** ..... **14-02**

(52) **U.S. Cl.**  
USPC ..... **D14/411**

(58) **Field of Classification Search**  
USPC ..... D14/372, 496, 432, 371, 125, 126, 129,  
D14/299, 411; D16/300-342; 351/158,  
351/153, 144; 345/7-9, 905; 455/344;  
348/115, 53, 121, 739

CPC ..... G02B 27/017; G06F 3/016; G06F 3/033;  
G06F 3/0317; G06F 3/03545; G06F  
3/041; G06K 9/222

See application file for complete search history.

(56) **References Cited**

**U.S. PATENT DOCUMENTS**

D725,112 S \* 3/2015 Bo ..... D14/411  
D754,661 S \* 4/2016 Nishizawa ..... D14/411

D797,741 S \* 9/2017 Cebe ..... D14/411  
D812,057 S \* 3/2018 Lehman ..... D14/411  
D812,060 S \* 3/2018 Lehman ..... D14/411  
D826,940 S 8/2018 Nishizawa  
D846,546 S \* 4/2019 Mitchell ..... D14/411  
D851,643 S \* 6/2019 Nishizawa ..... D14/411  
D861,687 S \* 10/2019 Mitchell ..... D14/411

**FOREIGN PATENT DOCUMENTS**

CN 201430326115.0 S 2/2015  
CN 201530552720.4 S 8/2016  
JP D1257307 S 12/2015  
JP D1604514 S 5/2018  
WO D060299 S 12/2002

\* cited by examiner

*Primary Examiner* — Austin Murphy

(74) *Attorney, Agent, or Firm* — Christensen O'Connor Johnson Kindness PLLC

(57) **CLAIM**

The ornamental design for a coordinate input instrument, as shown and described.

**DESCRIPTION**

FIG. 1 is a top front right perspective view of a coordinate input instrument according to my new design;

FIG. 2 is a bottom rear left perspective view thereof;

FIG. 3 is a plan view thereof;

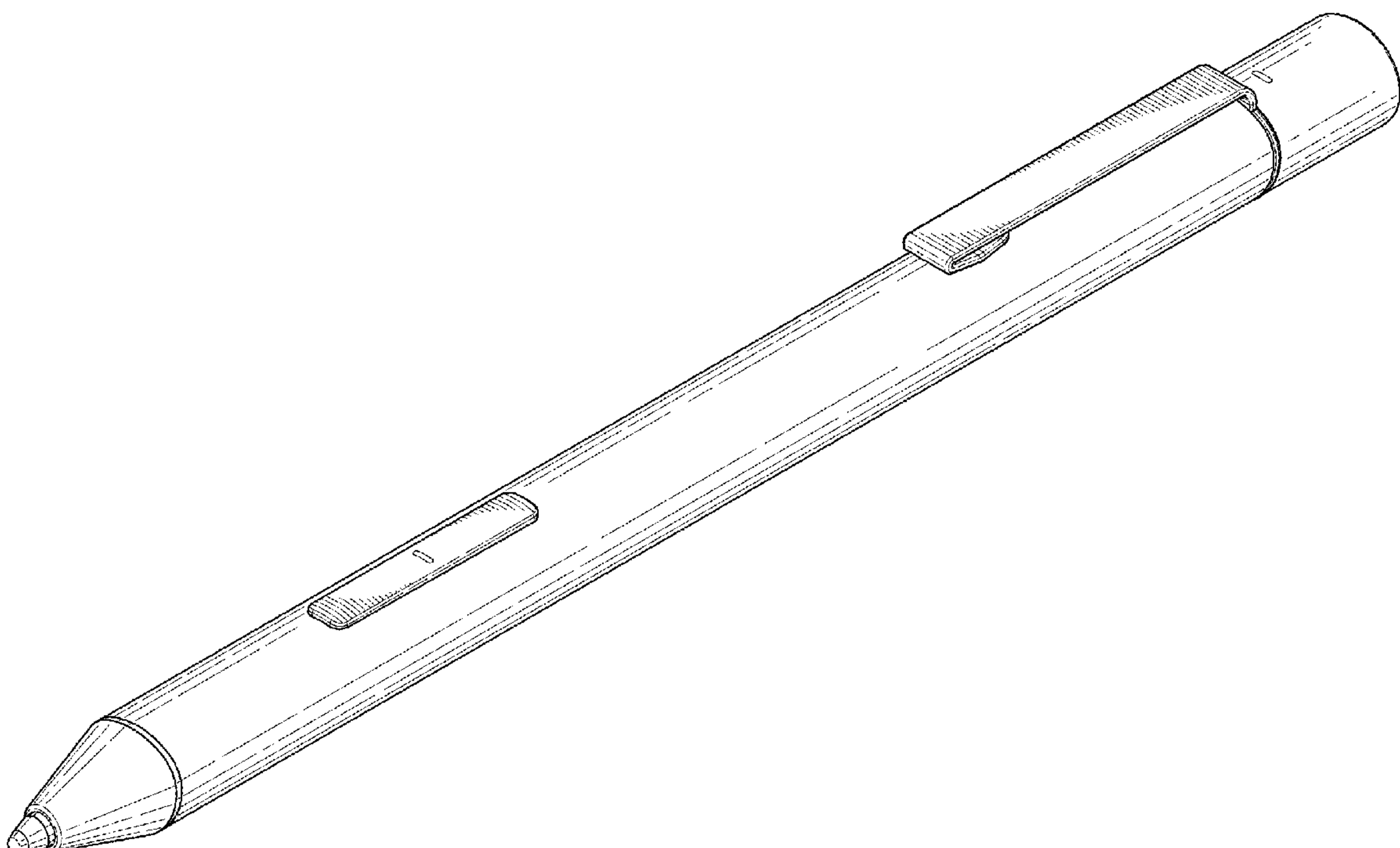
FIG. 4 is a right side elevation view thereof, wherein the left side elevation view is mirror symmetrical to the right side elevation view;

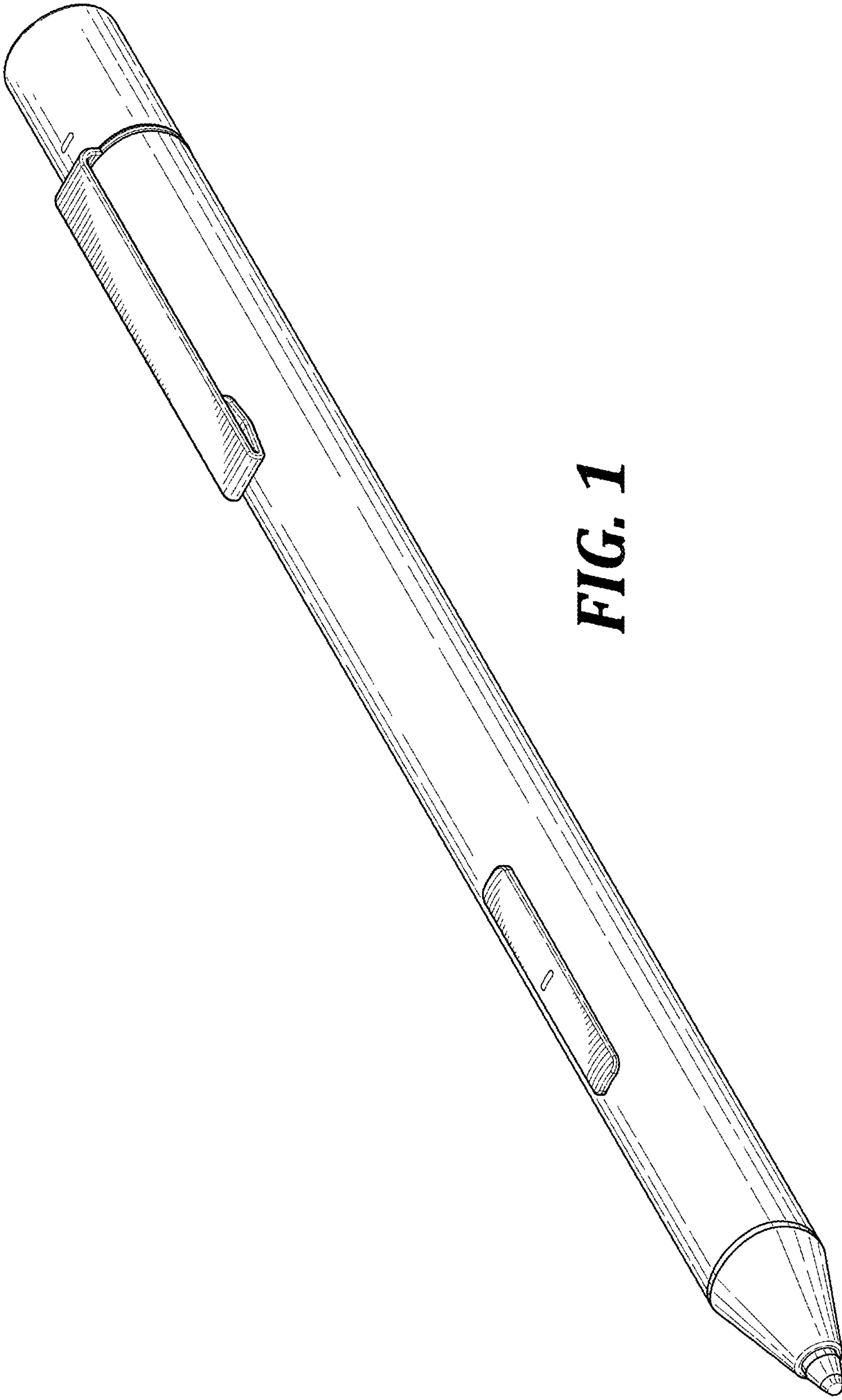
FIG. 5 is a bottom view thereof;

FIG. 6 front elevation view thereof; and,

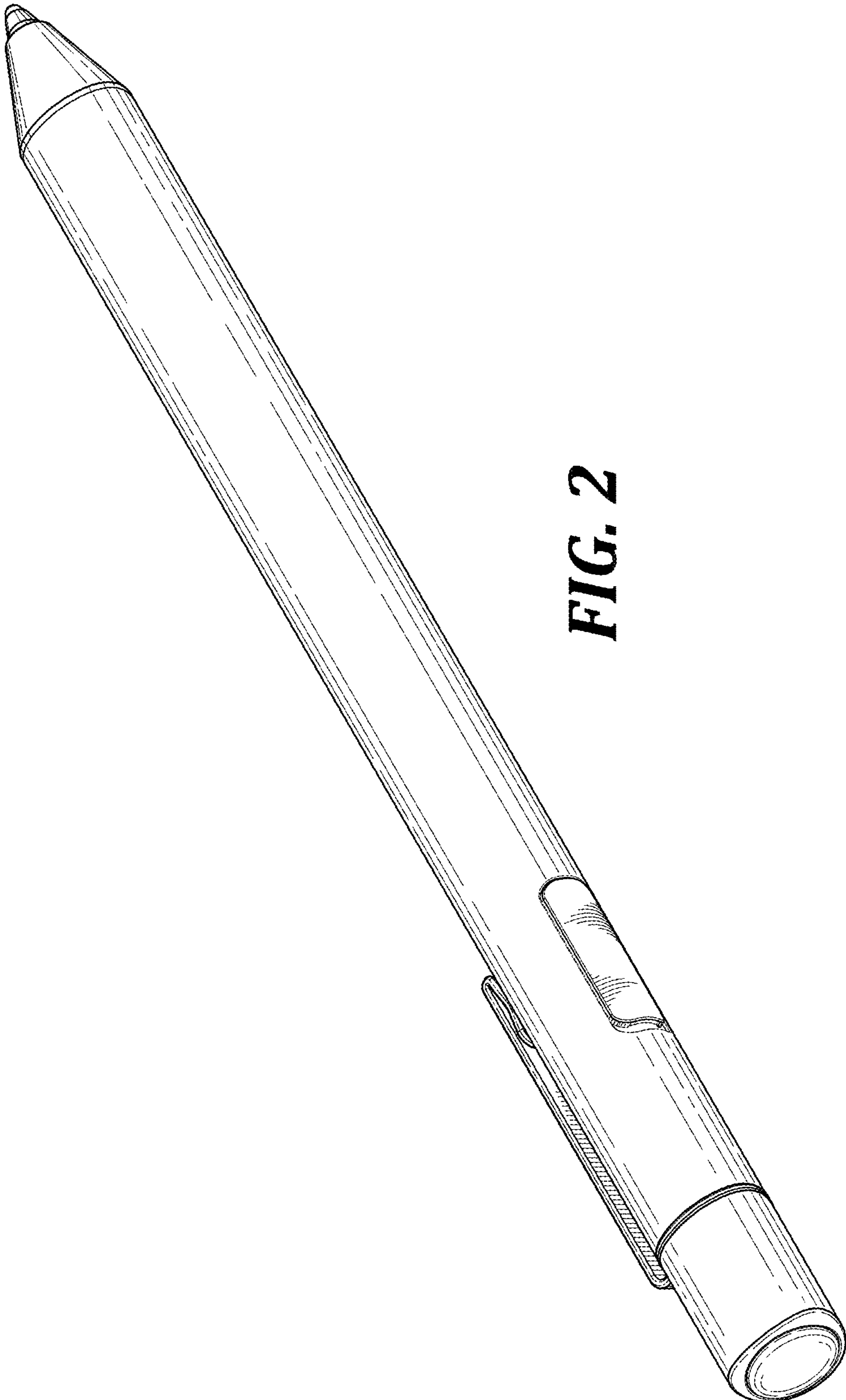
FIG. 7 rear elevation view thereof.

**1 Claim, 4 Drawing Sheets**



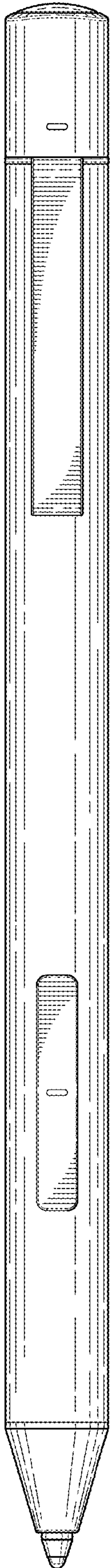


**FIG. 1**

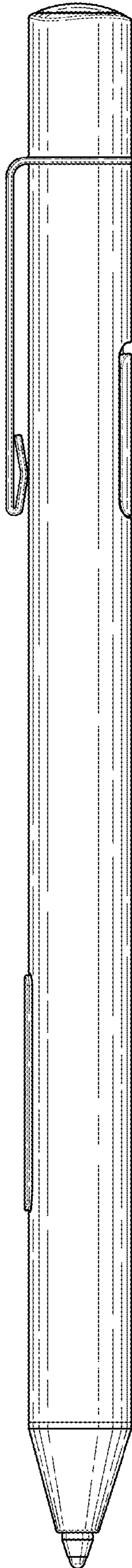


**FIG. 2**

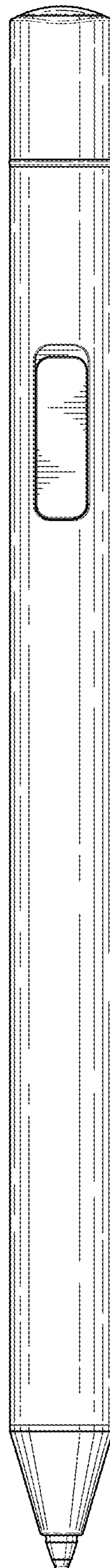




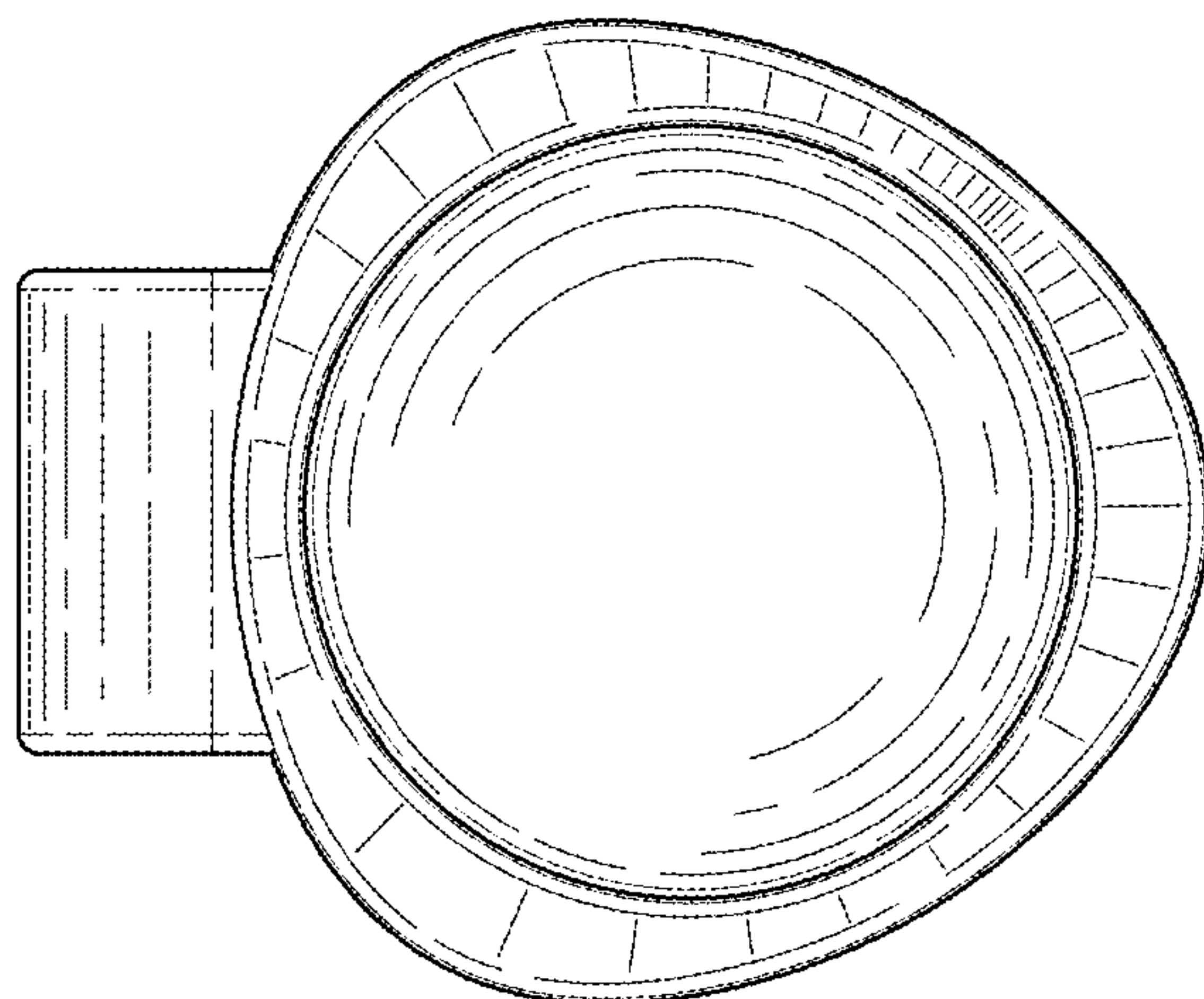
**FIG. 3**



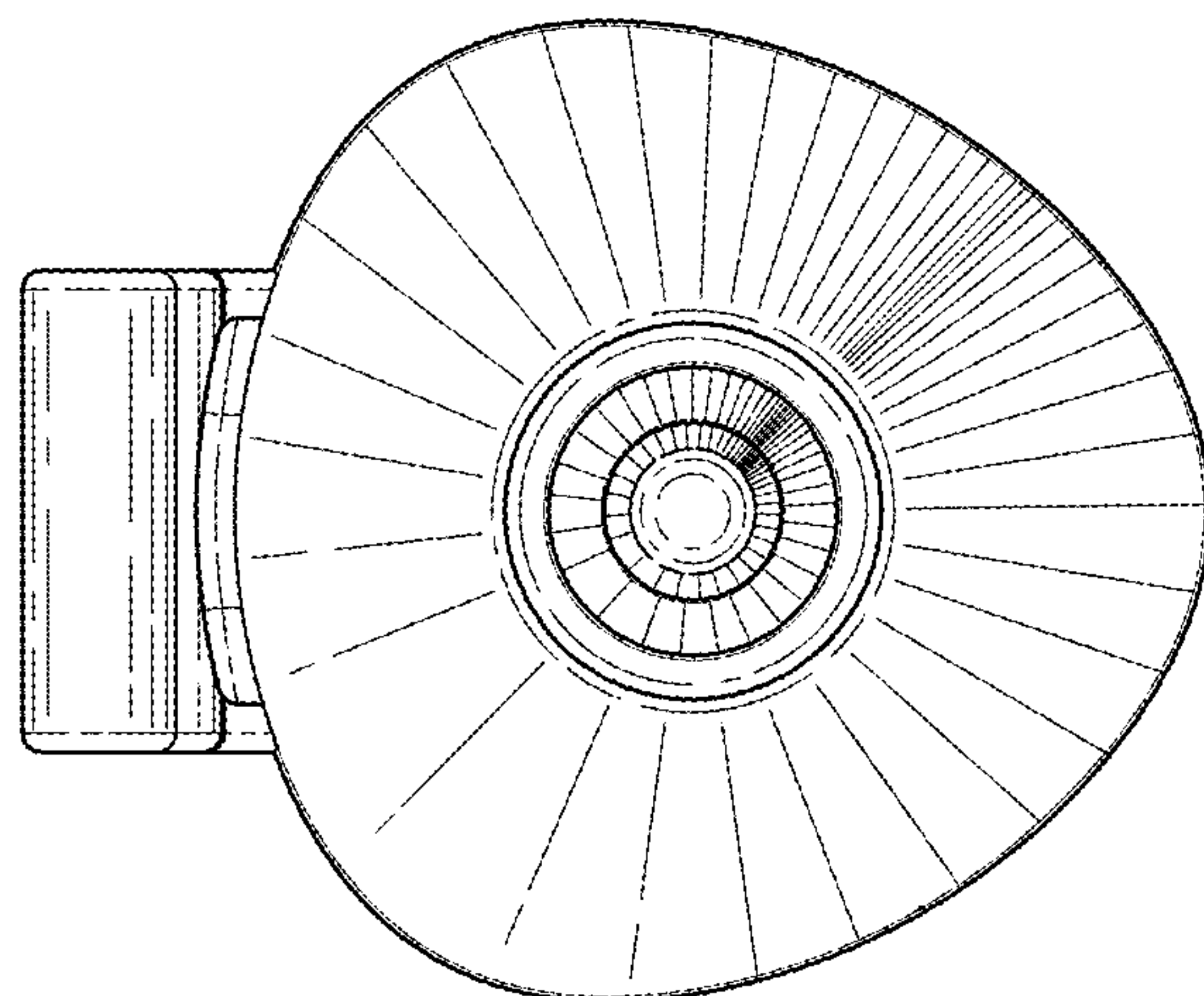
**FIG. 4**



**FIG. 5**



**FIG. 7**



**FIG. 6**

UNITED STATES PATENT AND TRADEMARK OFFICE  
**CERTIFICATE OF CORRECTION**

PATENT NO. : D887,412 S  
APPLICATION NO. : 29/682696  
DATED : June 16, 2020  
INVENTOR(S) : N. Nishizawa

Page 1 of 1

It is certified that error appears in the above-identified patent and that said Letters Patent is hereby corrected as shown below:

On the Title Page

<u>Column</u>	<u>Line</u>	
2/Description	9	“6 front” to -- 6 is a front --
2/Description	10	“7 rear” to -- 7 is a rear --

Signed and Sealed this  
Twenty-second Day of June, 2021



Drew Hirshfeld  
*Performing the Functions and Duties of the  
Under Secretary of Commerce for Intellectual Property and  
Director of the United States Patent and Trademark Office*