



US00D887408S

(12) **United States Design Patent**
Green et al.

(10) **Patent No.:** **US D887,408 S**

(45) **Date of Patent:** **** Jun. 16, 2020**

(54) **GLASSES**

(71) Applicant: **OXSIGHT LIMITED**, Oxford (GB)

(72) Inventors: **Steve Green**, Oxford (GB); **Rupert Wilkinson**, Oxford (GB); **Mohammad Athar Ali**, Oxford (GB); **Rebecca Lowe**, Oxford (GB); **Daniel Crown**, Oxford (GB); **Stephen Hicks**, Oxford (GB)

(73) Assignee: **Oxsight Limited**, Oxford (GB)

(**) Term: **15 Years**

(21) Appl. No.: **29/685,208**

(22) Filed: **Mar. 27, 2019**

(30) **Foreign Application Priority Data**

Sep. 27, 2018 (EP) 005663515-0001

(51) **LOC (12) Cl.** **14-02**

(52) **U.S. Cl.**
USPC **D14/372**

(58) **Field of Classification Search**
USPC D14/372, 496, 432, 371, 125, 126, 129,
D14/299; D16/300-342; 351/158, 153,
351/144; 345/7-9, 905; 455/344;
348/115, 53, 121, 739
CPC G02B 27/017; G02B 27/0158; G02B
27/0161; G02B 27/0181; G02B 27/0185;
G02B 27/0189

See application file for complete search history.

(56) **References Cited**

U.S. PATENT DOCUMENTS

D840,396 S *	2/2019	Zhou	D14/372
D856,328 S *	8/2019	Xing	D14/372
D857,693 S *	8/2019	Natsume	D14/372
D858,522 S *	9/2019	Chen	D14/372
D861,681 S *	10/2019	Chen	D14/372
D861,683 S *	10/2019	Chou	D14/372
D862,464 S *	10/2019	Natsume	D14/372
D862,468 S *	10/2019	Chen	D14/372
D864,959 S *	10/2019	Osterhout	D14/372
D870,727 S *	12/2019	Nie	D14/372
D872,170 S *	1/2020	Evans	D16/325

* cited by examiner

Primary Examiner — Austin Murphy

(74) *Attorney, Agent, or Firm* — Jacob M. Ward; Ward Law Office LLC

(57) **CLAIM**

The ornamental design for glasses, as shown and described.

DESCRIPTION

FIG. 1 is a top perspective view of glasses; FIG. 2 is a top plan view of the glasses shown in FIG. 1; FIG. 3 is a bottom plan view thereof; FIG. 4 is a front elevational view thereof; FIG. 5 is a rear elevational view thereof; FIG. 6 is a left side elevational view thereof; and, FIG. 7 is a right side elevational view thereof. The broken lines shown in the drawings are for the purpose of illustrating portions of the glasses and form no part of the claimed design.

1 Claim, 7 Drawing Sheets

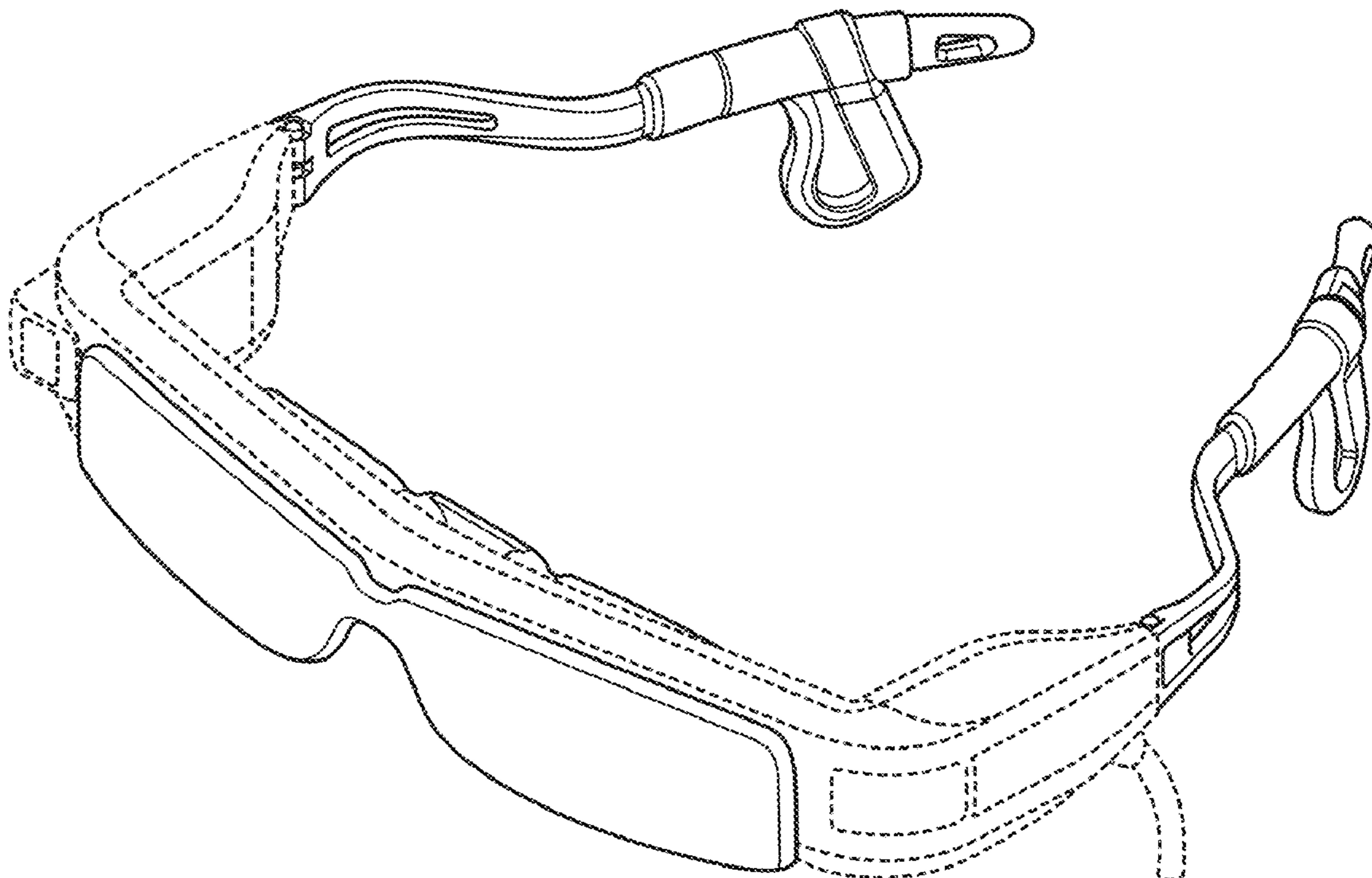


FIG. 1

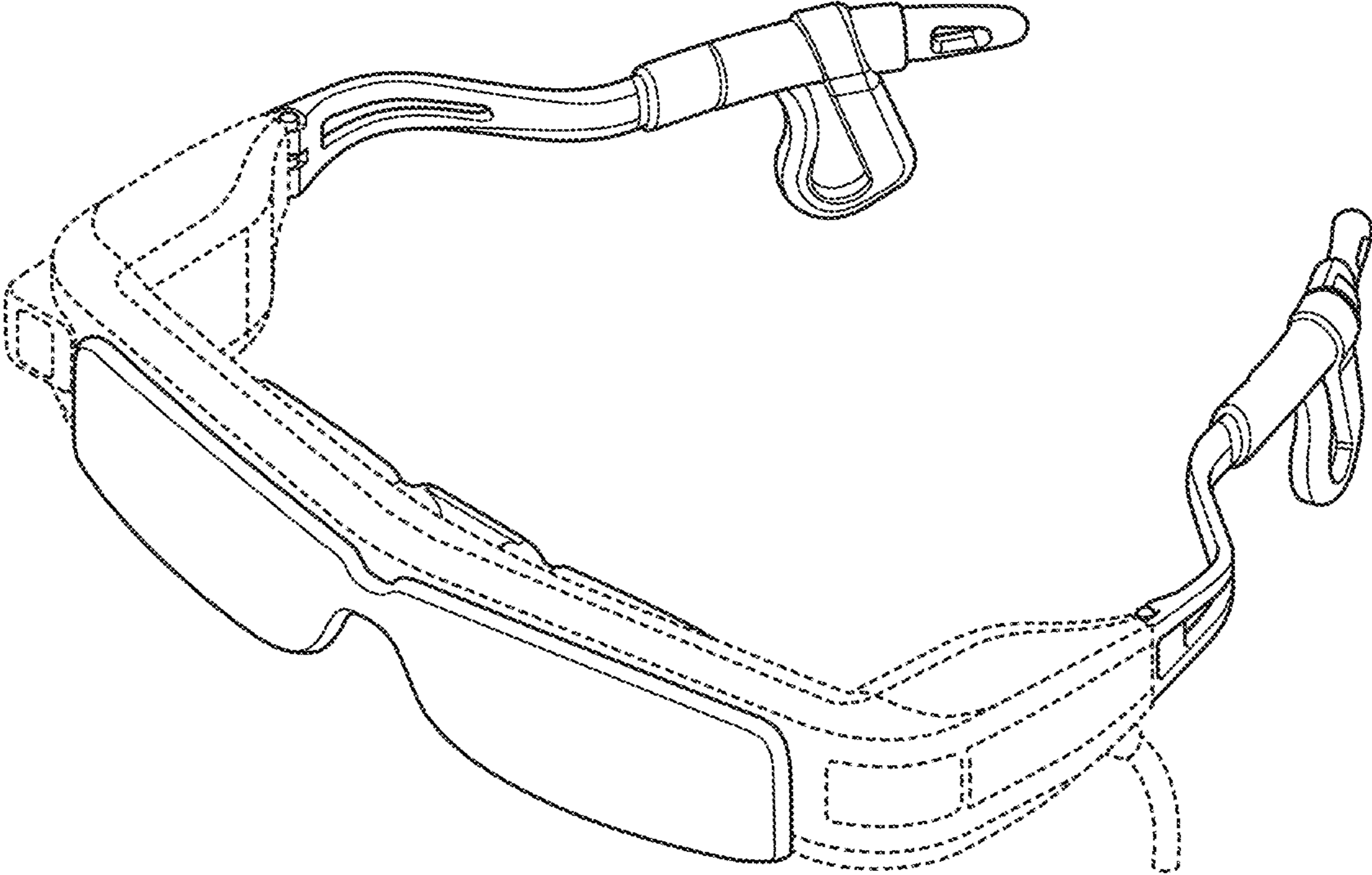


FIG. 2

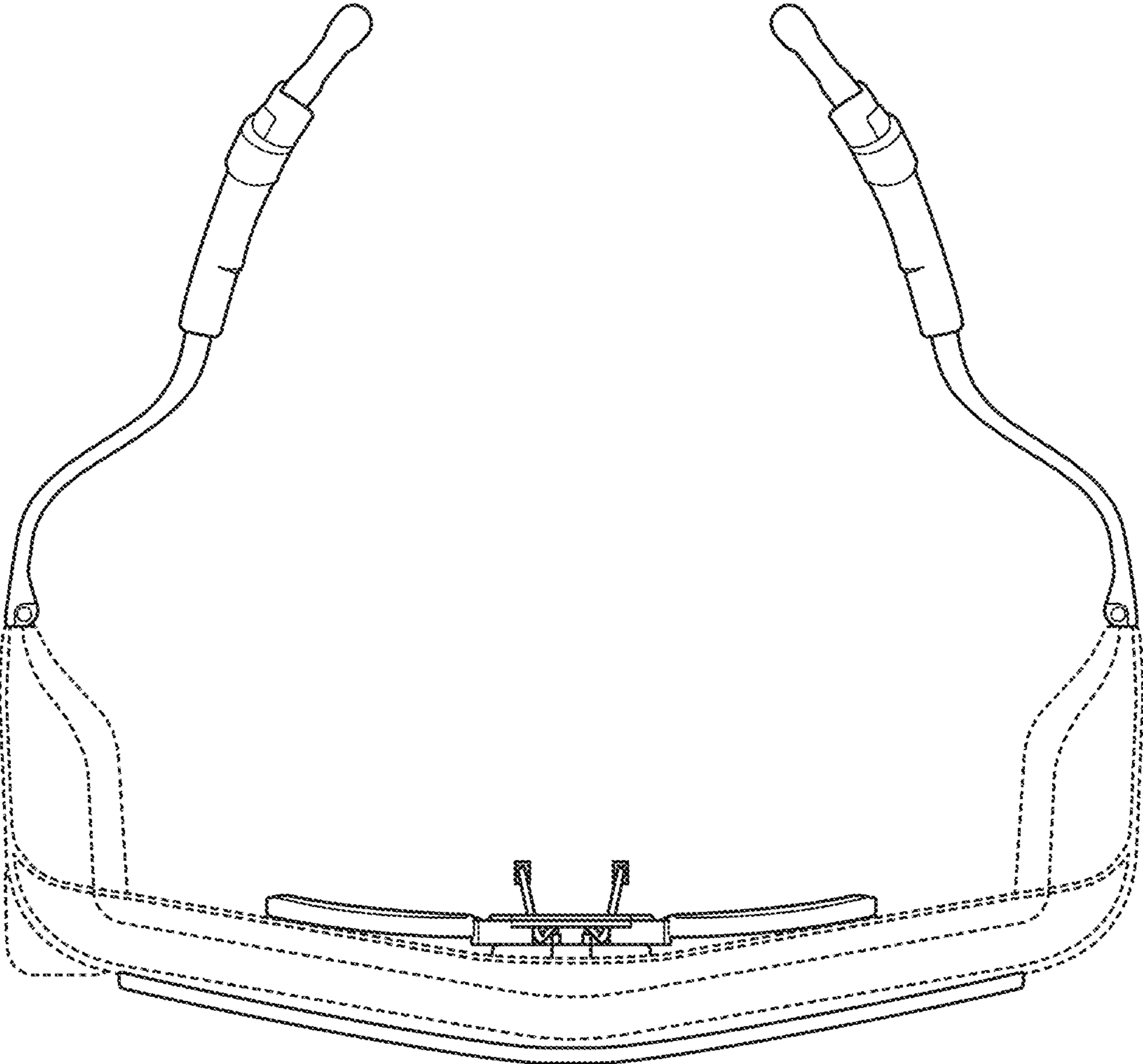


FIG. 3

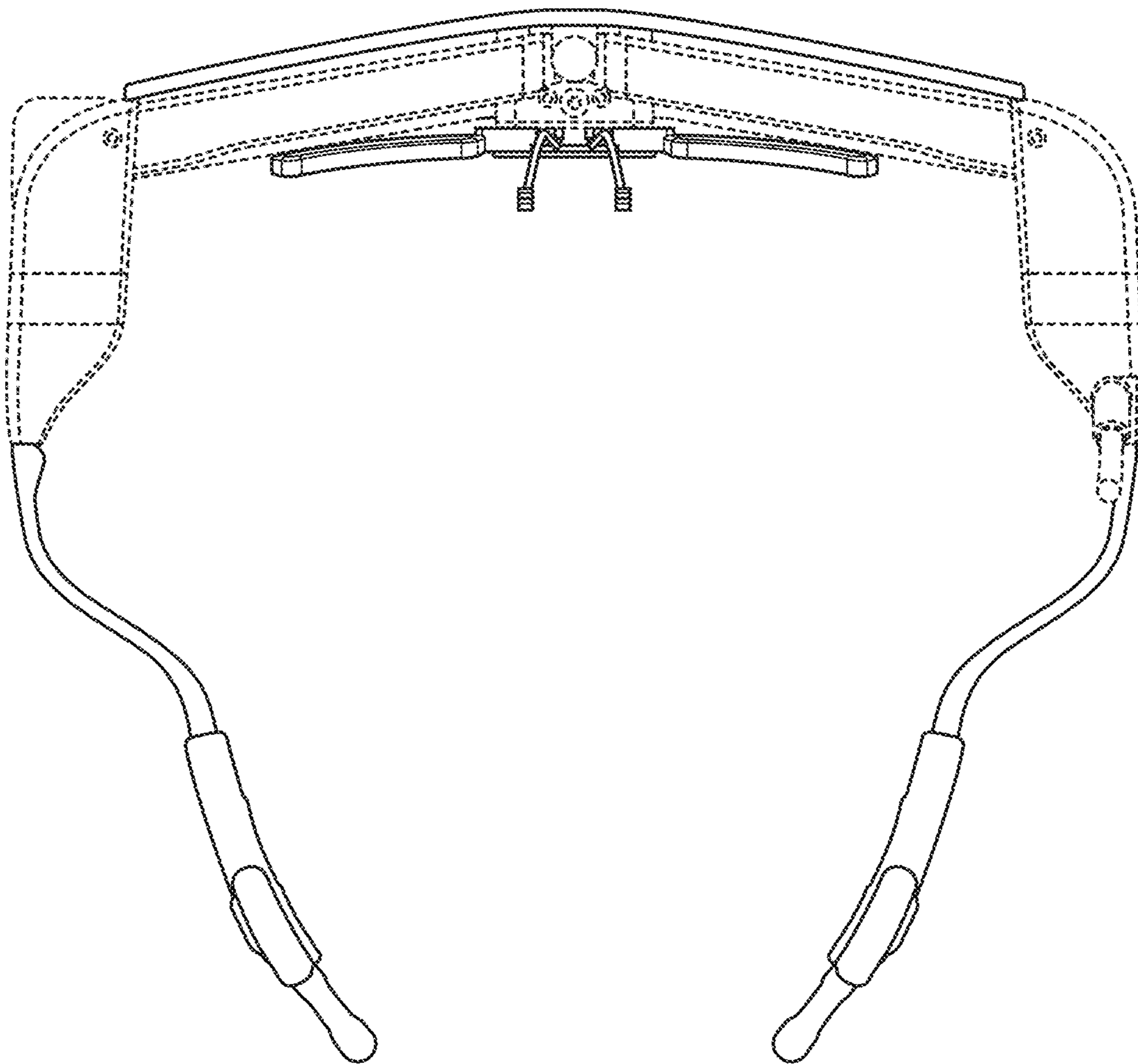


FIG. 4

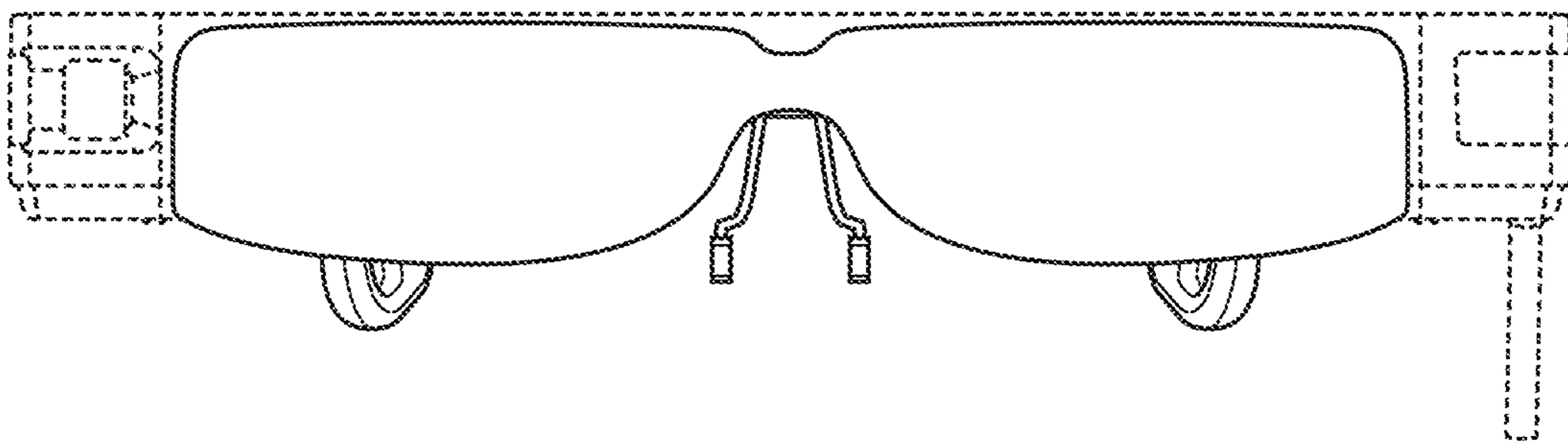


FIG. 5

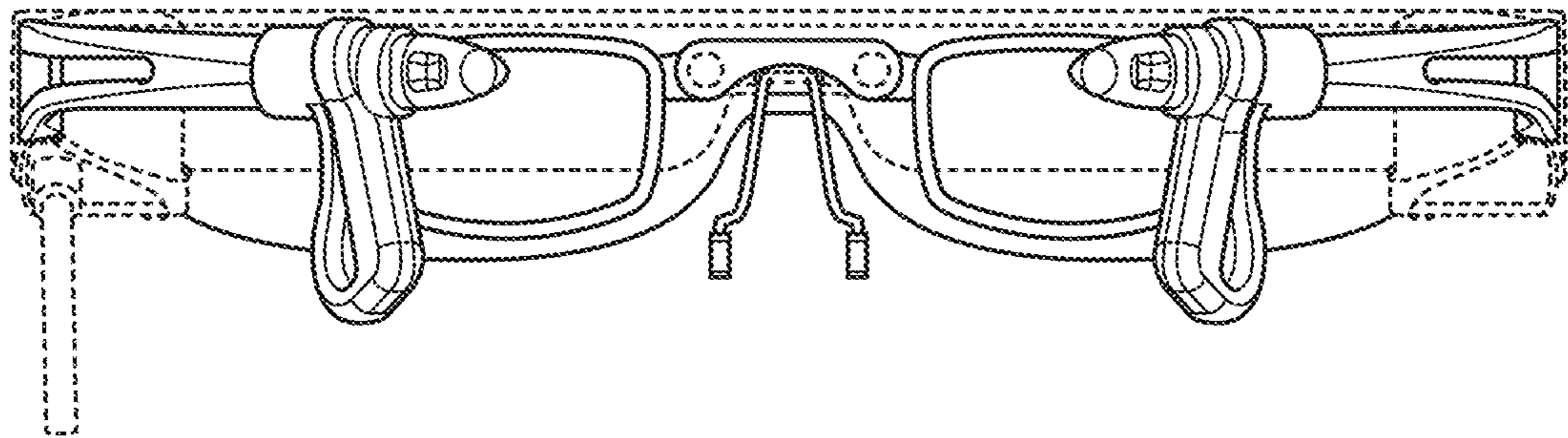


FIG. 6

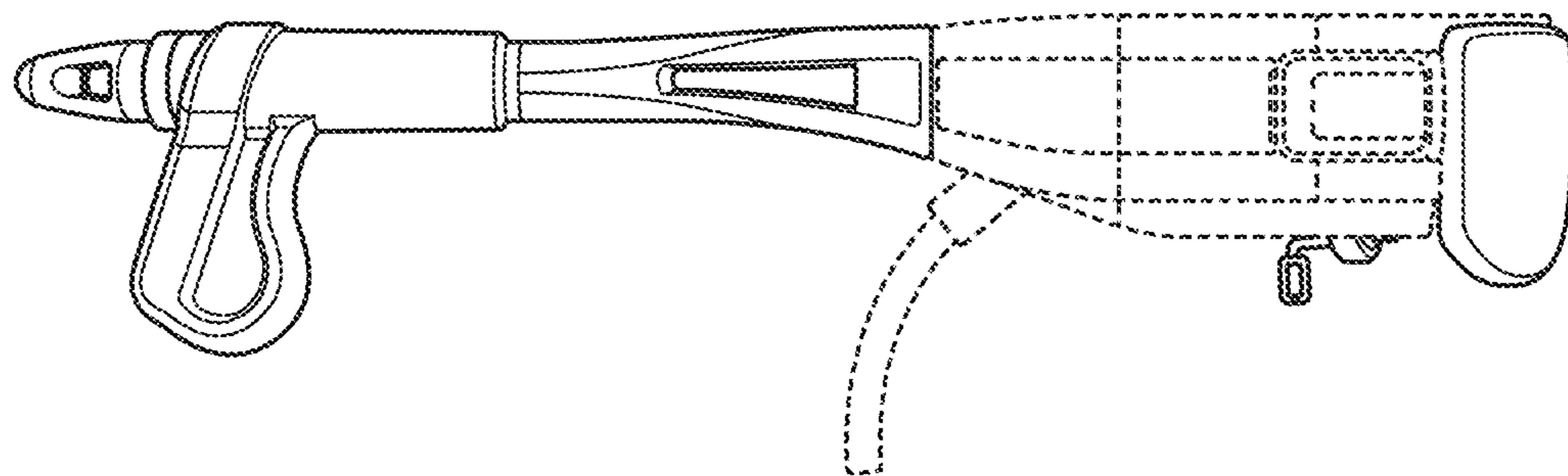


FIG. 7

