



US00D887407S

(12) **United States Design Patent**  
**Rao et al.**

(10) **Patent No.:** **US D887,407 S**  
(45) **Date of Patent:** **\*\* Jun. 16, 2020**

(54) **WEARABLE ELECTRONIC DEVICE**

(71) Applicant: **YUTOU TECHNOLOGY (HANGZHOU) CO., LTD.**, Hangzhou (CN)

(72) Inventors: **Yi Rao**, San Carlos, CA (US); **Gonglue Jiang**, San Carlos, CA (US); **Kun Li**, San Carlos, CA (US); **Wengang Wang**, Hangzhou (CN); **Hui Du**, Hangzhou (CN); **Kai Xia**, Hangzhou (CN)

(73) Assignee: **YUTOU TECHNOLOGY (HANGZHOU) CO., LTD.**, Hangzhou (CN)

(\*\*) Term: **15 Years**

(21) Appl. No.: **29/675,793**

(22) Filed: **Jan. 4, 2019**

(51) **LOC (12) Cl.** ..... **14-02**

(52) **U.S. Cl.**  
USPC ..... **D14/372**

(58) **Field of Classification Search**  
USPC ..... D14/372, 496, 432, 371, 125, 126, 129, D14/299; D16/300–342; 351/158, 153, 351/144; 345/7–9, 905; 455/344; 348/115, 53, 121, 739  
CPC ..... G02B 27/017; G02B 27/0158; G02B 27/0161; G02B 27/0181; G02B 27/0185; G02B 27/0189  
See application file for complete search history.

(56) **References Cited**

**U.S. PATENT DOCUMENTS**

- D766,895 S \* 9/2016 Choi ..... D14/372
- D797,733 S \* 9/2017 Lee ..... D14/372
- D800,727 S \* 10/2017 Mullins ..... D14/372
- D827,701 S \* 9/2018 Nguyen ..... D16/309
- D831,027 S \* 10/2018 Kim ..... D14/372

- D833,500 S \* 11/2018 Su ..... D16/130
- D836,629 S \* 12/2018 Maffucci ..... D14/372
- D861,681 S \* 10/2019 Chen ..... D14/372
- D861,683 S \* 10/2019 Chou ..... D14/372
- D862,464 S \* 10/2019 Natsume ..... D14/372
- D862,465 S \* 10/2019 Su ..... D14/372
- D862,468 S \* 10/2019 Chen ..... D14/372
- D864,959 S \* 10/2019 Osterhout ..... D14/372

(Continued)

*Primary Examiner* — Austin Murphy

(74) *Attorney, Agent, or Firm* — Getech Law LLC; Jun Ye

(57) **CLAIM**

The ornamental design of a wearable electronic device, as shown and described.

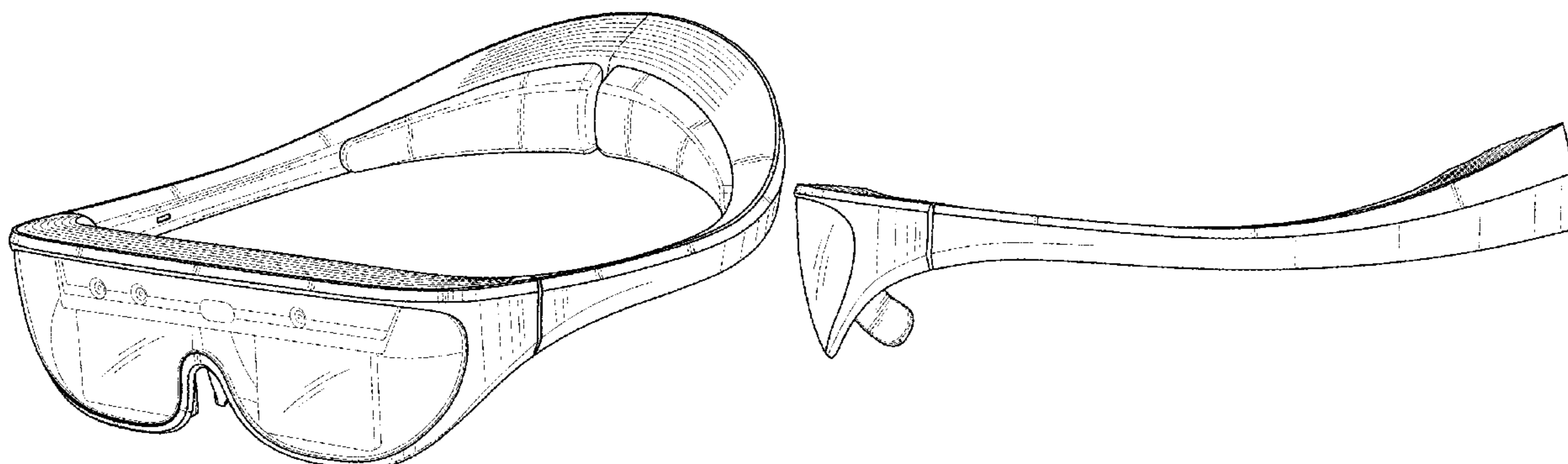
**DESCRIPTION**

FIG. 1 is a perspective view of a wearable electronic device in accordance with the present invention; FIG. 2 is a left view thereof; FIG. 3 is a right view thereof; FIG. 4 is a rear view thereof; FIG. 5 is a bottom view thereof; FIG. 6 is a front view thereof; and, FIG. 7 is a top view thereof.

The features shown in broken lines in the various Figures are for illustrating environmental structure and form no part of the claimed design. The surfaces of the wearable electronic device are not limited to any color designations.

Generally, the invention pertains to an ornamental design for an article of manufacture. The article is not limited to the scale shown herein. As indicated in the title, the article of manufacture to which the ornamental design has been applied is a wearable electronic device, media player (e.g., music, video and/or game player), media storage device, a voice-controlled assistant, an augmented reality (AR) display, a virtual reality (VR) display, a communication device, a novelty item or toy.

**1 Claim, 7 Drawing Sheets**



(56)

**References Cited**

U.S. PATENT DOCUMENTS

D868,143 S \* 11/2019 Menachem ..... D16/313  
D870,727 S \* 12/2019 Nie ..... D14/372

\* cited by examiner

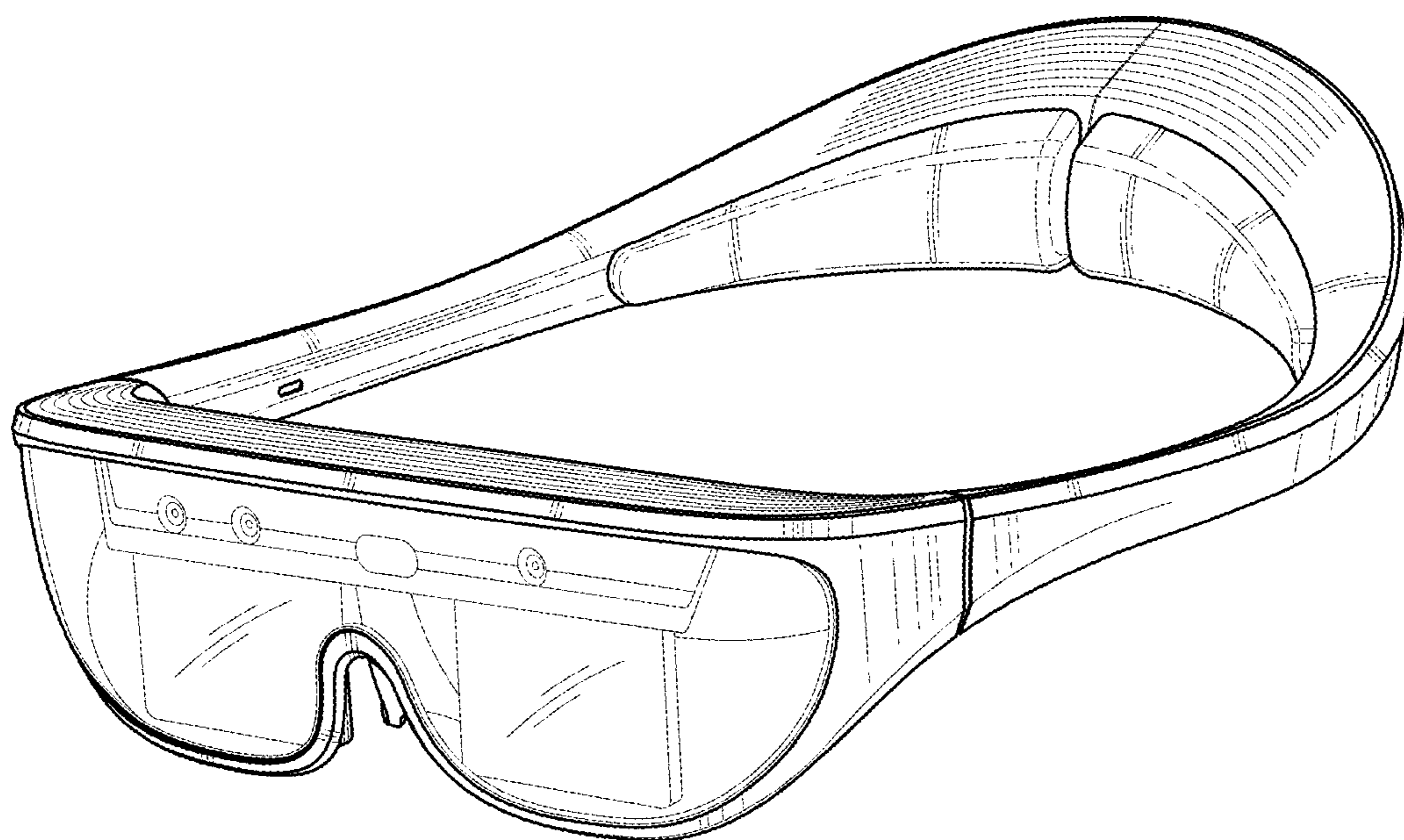


FIG. 1

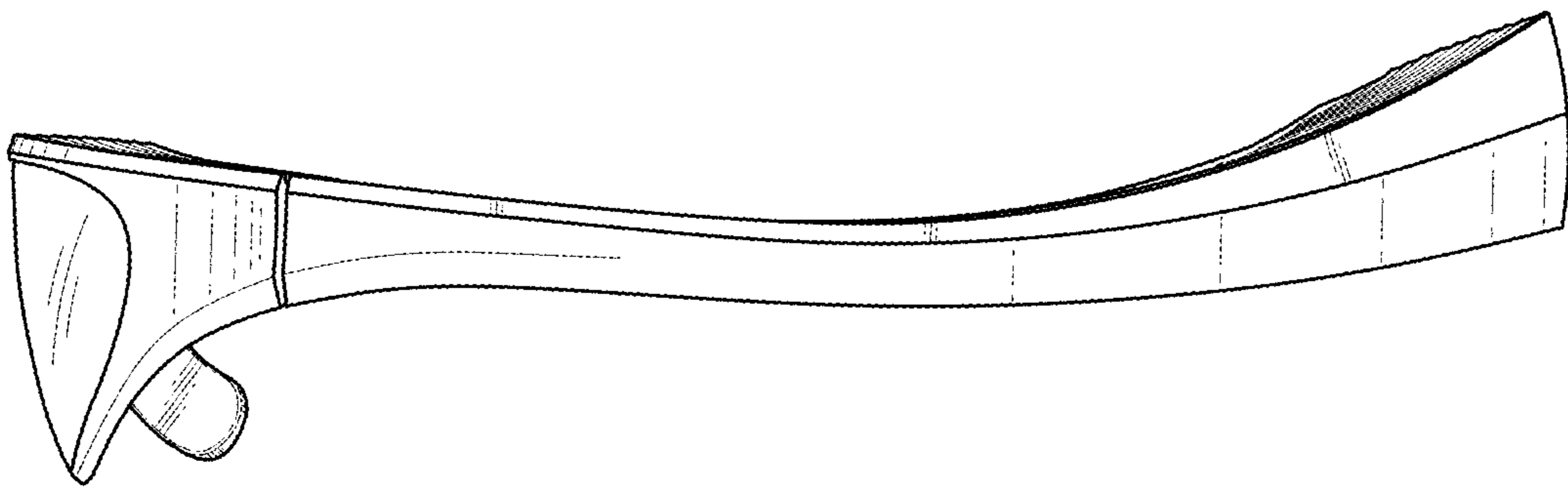


FIG. 2

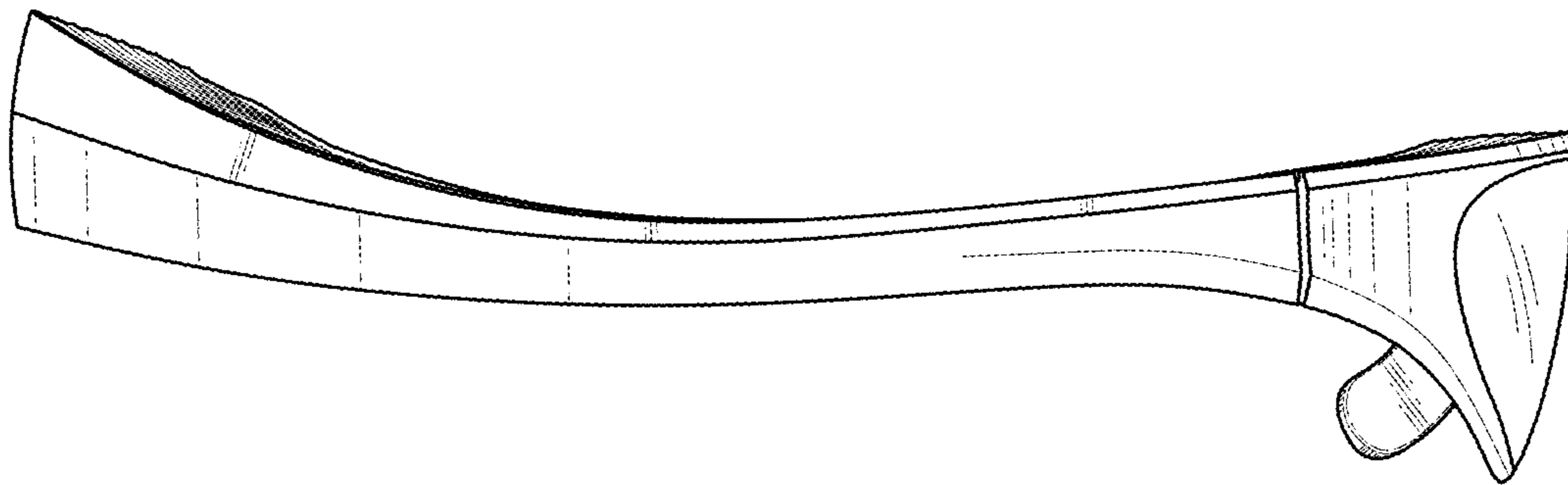


FIG. 3

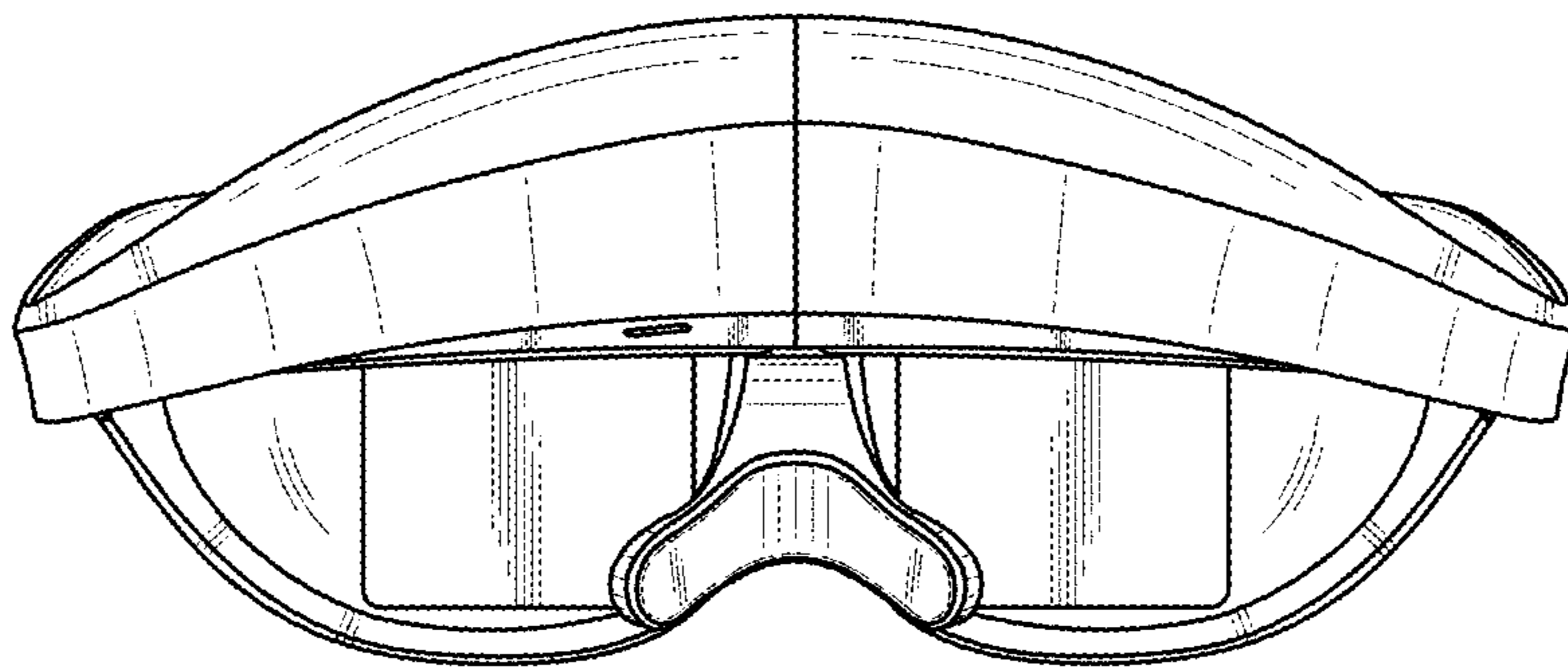


FIG. 4

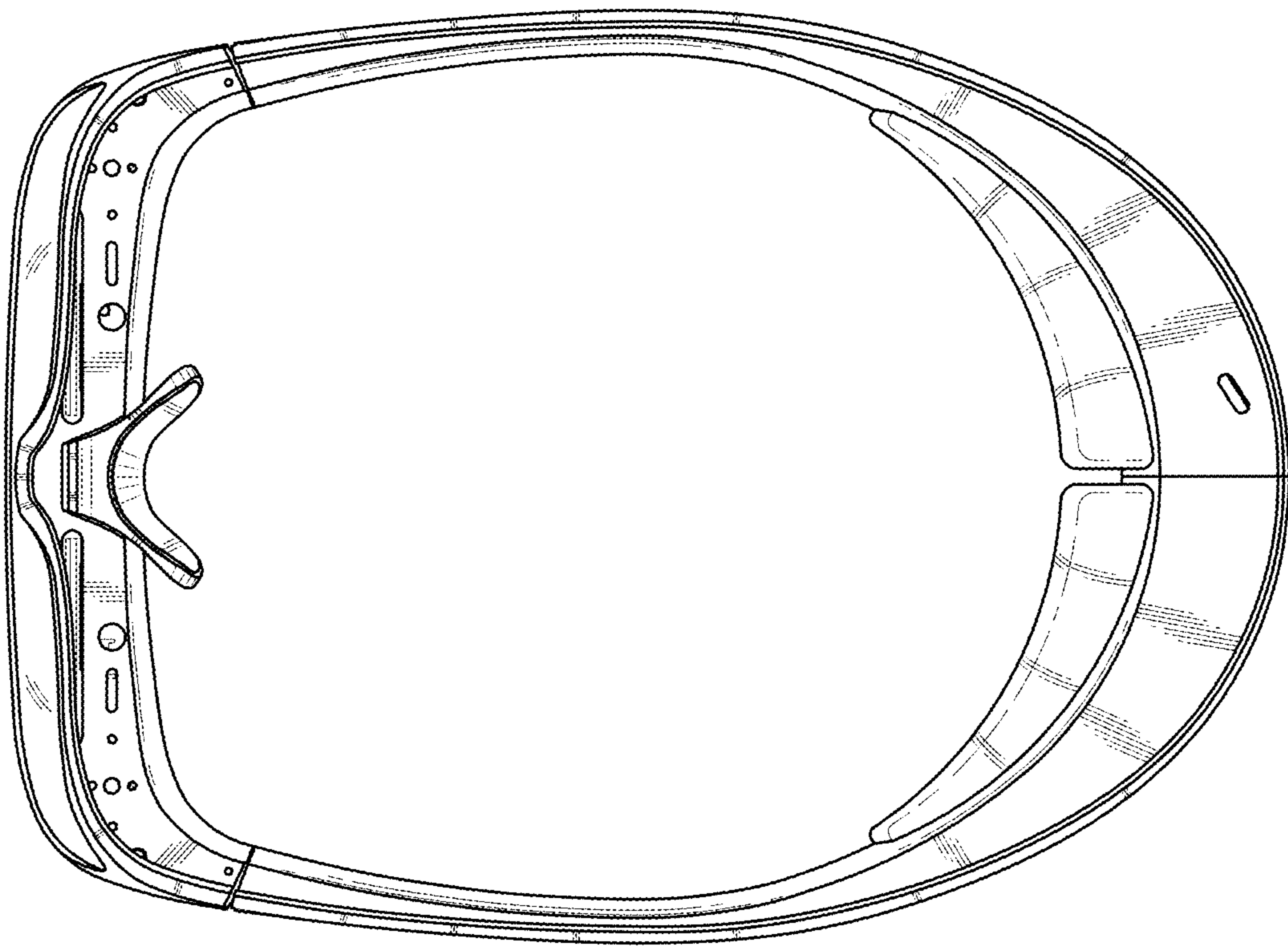


FIG. 5

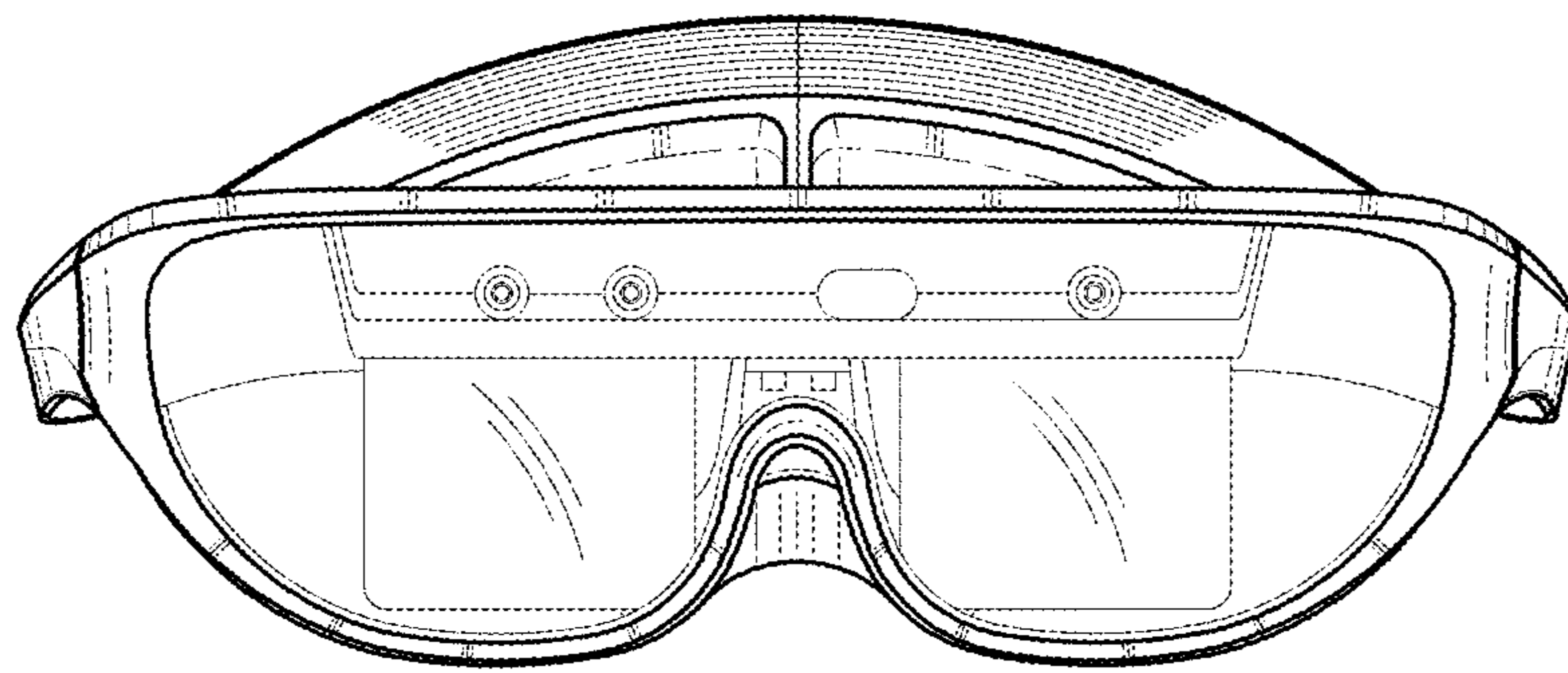


FIG. 6



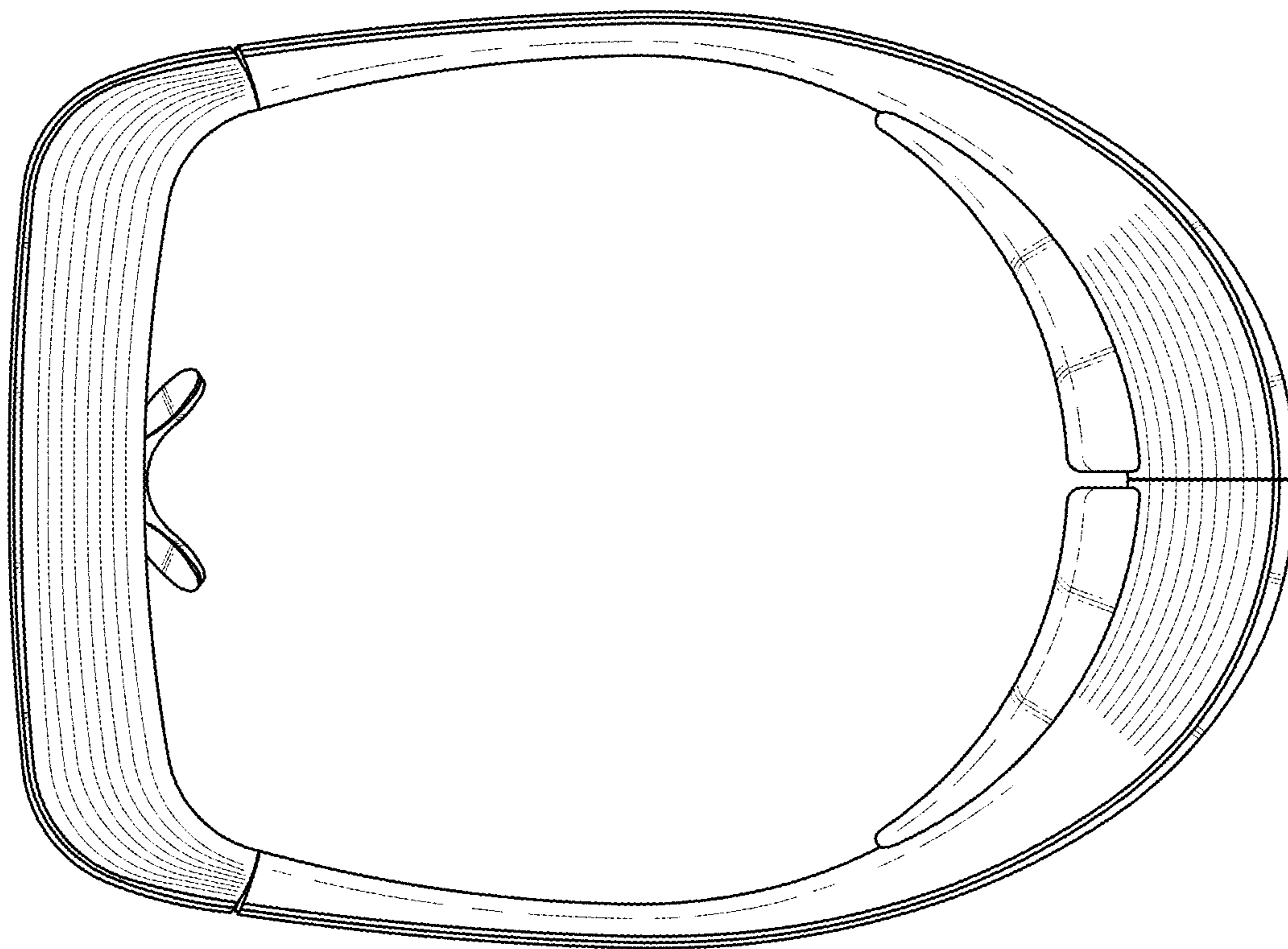


FIG. 7