



US00D887406S

(12) **United States Design Patent**
Mao

(10) **Patent No.:** **US D887,406 S**
(45) **Date of Patent:** **** Jun. 16, 2020**

(54) **SMART WATCH**

(71) Applicant: **Yuzhong Mao**, Leshan (CN)

(72) Inventor: **Yuzhong Mao**, Leshan (CN)

(**) Term: **15 Years**

(21) Appl. No.: **29/714,550**

(22) Filed: **Nov. 25, 2019**

(51) **LOC (12) Cl.** **14-02**

(52) **U.S. Cl.**
USPC **D14/344; D11/3; 10/32**

(58) **Field of Classification Search**
USPC D10/1-2, 5, 10, 14-15, 21, 30-39,
D10/40-41; D14/344; D11/3, 5, 93-94,
D11/99; D5/4, 56, 59-60, 99
CPC . G04F 7/06; G04F 7/062; G04F 7/065; G04F
7/067; G04F 8/00; G04F 8/006; G04G
17/00; G04G 17/086; G04G 17/005;
G04G 13/028; G04G 11/00; G04G 9/00;
G04C 17/00; G04B 19/00; G04B 19/04;
A44C 5/00; A44C 5/0007; A44C 5/0053;
A44C 5/10; A44C 5/14

See application file for complete search history.

D324,341 S * 3/1992 Houlihan D10/32
D403,912 S * 1/1999 Wang D6/582
D684,704 S * 6/2013 Lamberts D25/103
D744,358 S * 12/2015 Behar D10/70
D757,567 S * 5/2016 Henderson D10/30
D759,516 S * 6/2016 Ling D10/30
D759,623 S * 6/2016 Dahlberg D10/30
D763,719 S * 8/2016 Nielsen D11/3
D765,655 S * 9/2016 Tao D10/38
9,577,324 B2 * 2/2017 Chen H01Q 1/44
D786,241 S * 5/2017 Chuang D14/344
D789,357 S * 6/2017 Wu D14/344
D802,453 S * 11/2017 Page D10/70
D802,587 S * 11/2017 Lee D14/344
D821,247 S * 6/2018 Lean D11/3

(Continued)

FOREIGN PATENT DOCUMENTS

CN 305515086 * 12/2019
Primary Examiner — Sandra S Snapp
Assistant Examiner — Katherine Glennon

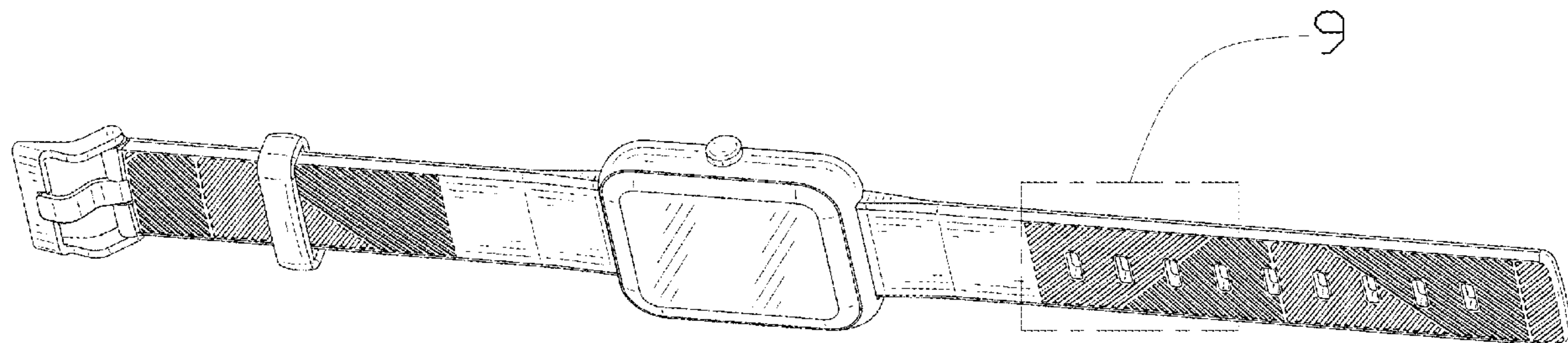
(57) **CLAIM**

The ornamental design for a smart watch, as shown and described.

DESCRIPTION

FIG. 1 is a perspective view of a smart watch showing my new design;
FIG. 2 is another perspective view thereof;
FIG. 3 is a front elevational view thereof;
FIG. 4 is a rear elevational view thereof;
FIG. 5 is a left side elevational view thereof;
FIG. 6 is a right side elevational view thereof;
FIG. 7 is a top plan view thereof;
FIG. 8 is a bottom plan view thereof; and,
FIG. 9 is an enlarged view of portion 9 shown in FIG. 1.
The broken lines in the drawings depict the boundary of the enlarged portion of FIG. 1 that is shown in FIG. 9.

1 Claim, 9 Drawing Sheets



(56) **References Cited**
U.S. PATENT DOCUMENTS

D9,616 S * 11/1876 Carlisle, Jr. D11/5
1,440,358 A * 12/1922 Whetstone D21J 1/16
428/169
D79,371 S * 9/1929 Hook D5/56
D88,165 S * 11/1932 Megroz D5/56
D185,782 S * 8/1959 Hyman D2/625
RE25,031 E * 8/1961 Hoolim A63F 9/06
434/96
D217,016 S * 3/1970 Cowan D11/24
D226,967 S * 5/1973 Fontaine D11/93
D259,069 S * 4/1981 Nixon D5/59
D301,087 S * 5/1989 Kawaguchi D5/53
D314,527 S * 2/1991 Kaneko D11/3

(56)

References Cited

U.S. PATENT DOCUMENTS

D837,206	S *	1/2019	Guan	D14/344
D841,005	S *	2/2019	Lin	D14/344
D852,515	S *	7/2019	Toelke	D5/60
D855,813	S *	8/2019	Hu	D24/186
D862,460	S *	10/2019	Zhang	D14/344
D862,461	S *	10/2019	Zhang	D14/344
D862,462	S *	10/2019	Zhang	D14/344
D866,350	S *	11/2019	Park	D10/38
D868,062	S *	11/2019	Haranaka	D14/344
D868,063	S *	11/2019	Mao	D14/344
D868,780	S *	12/2019	Doan	D14/344
D868,781	S *	12/2019	Mao	D14/344
2006/0039244	A1 *	2/2006	Gyger	G02B 6/08 368/296
2015/0320128	A1 *	11/2015	Yoo	A61B 5/7435 2/170
2017/0181510	A1 *	6/2017	Novak	A44C 5/147
2018/0218636	A1 *	8/2018	Alaouf	G04G 9/0064
2019/0283293	A1 *	9/2019	Tanabe	B29C 45/14221
2019/0365060	A1 *	12/2019	Sutherland	H01G 11/36
2020/0033815	A1 *	1/2020	Bushnell	G04G 21/08

* cited by examiner

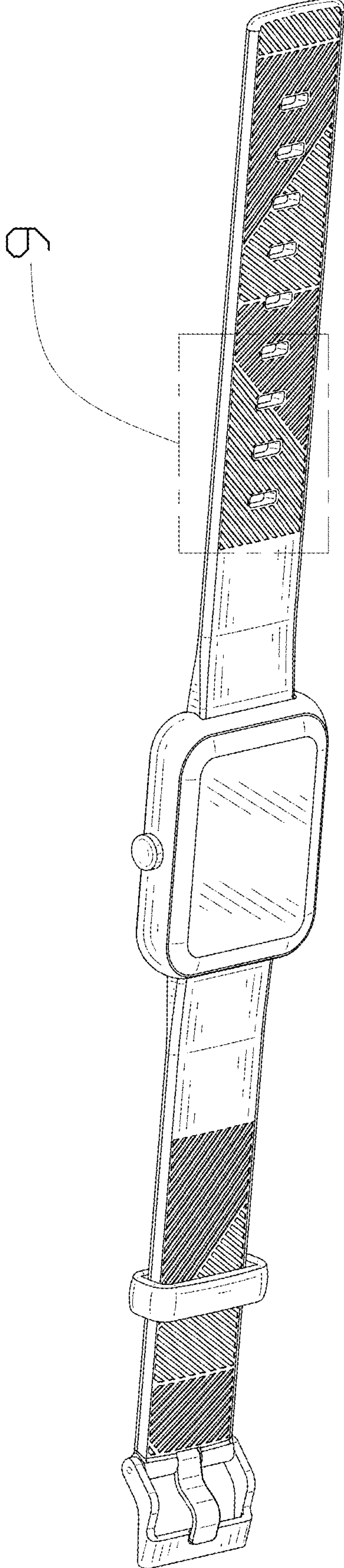


FIG. 1

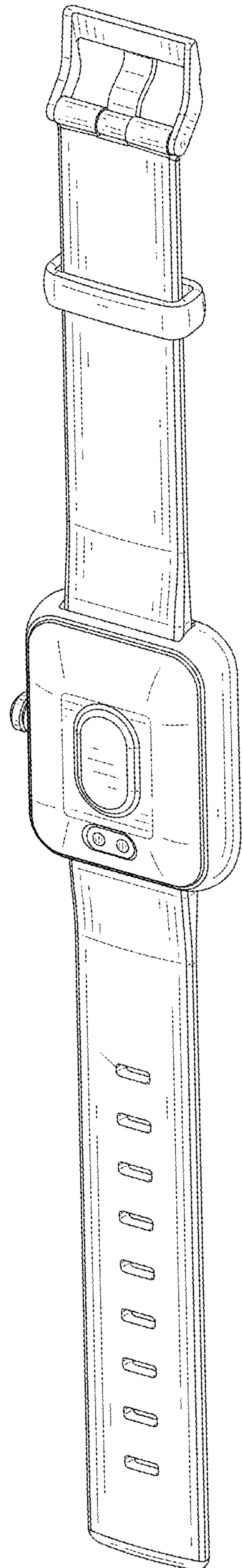


FIG. 2

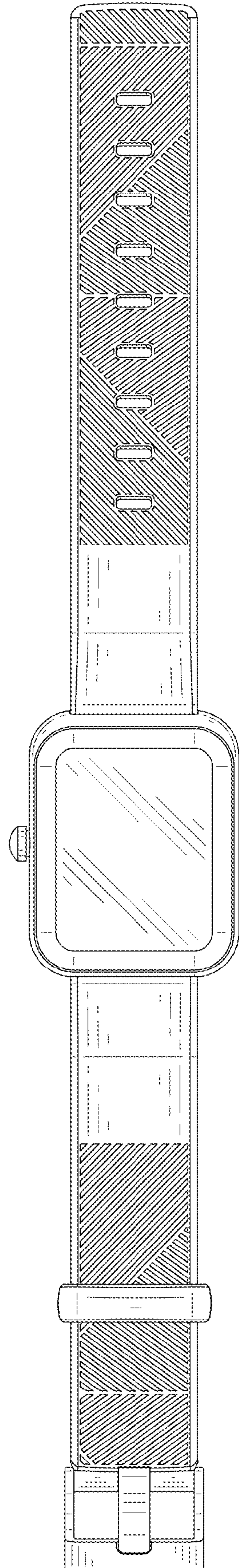


FIG. 3

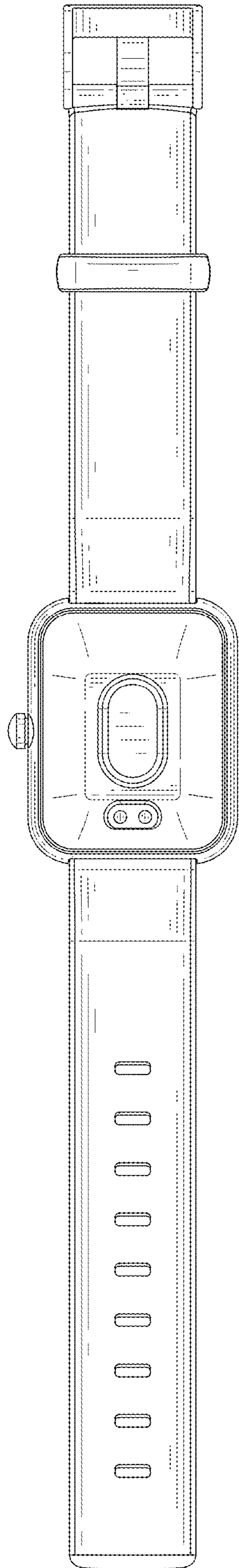


FIG. 4

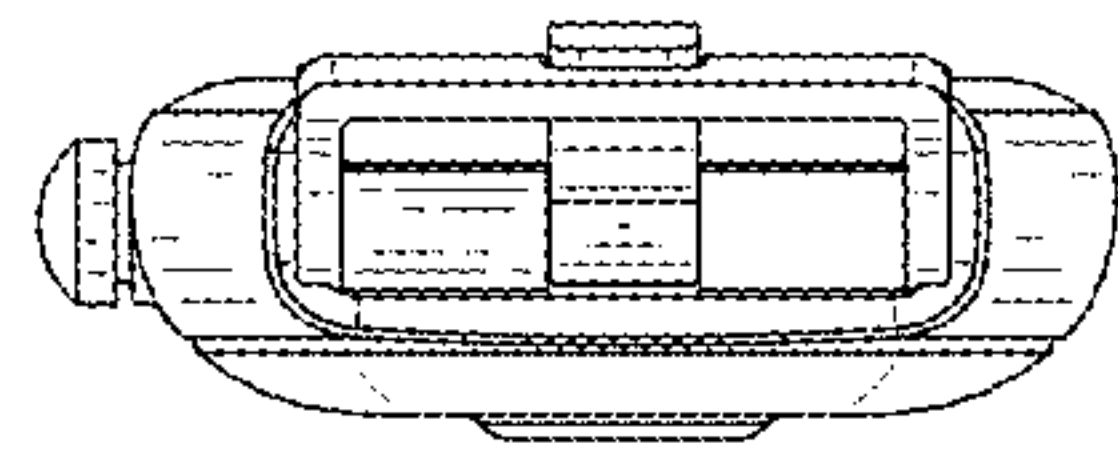


FIG. 5

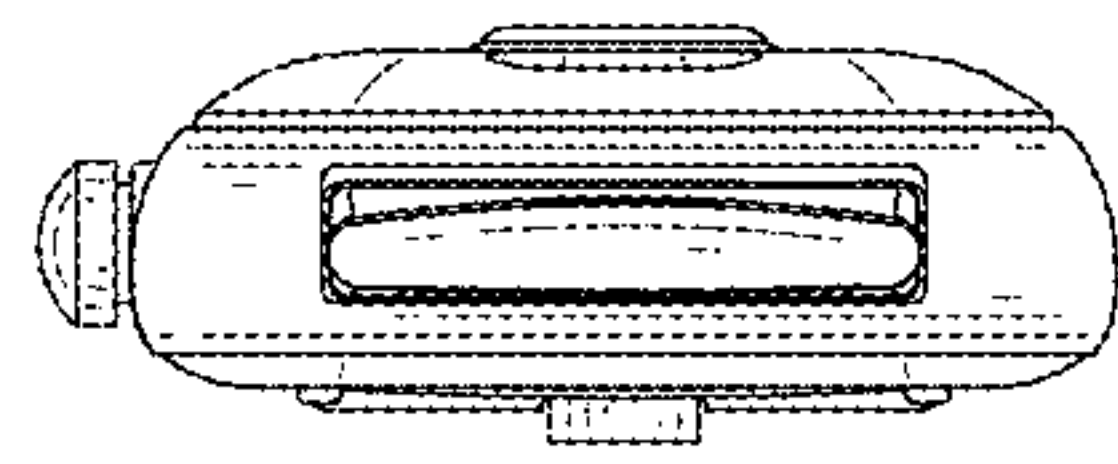


FIG. 6

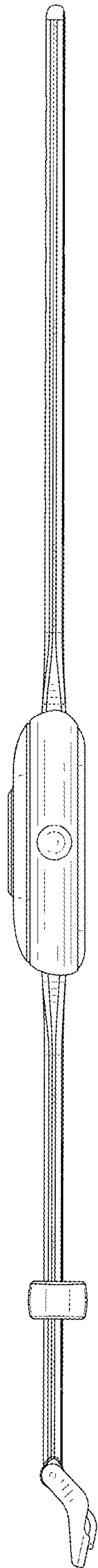


FIG. 7

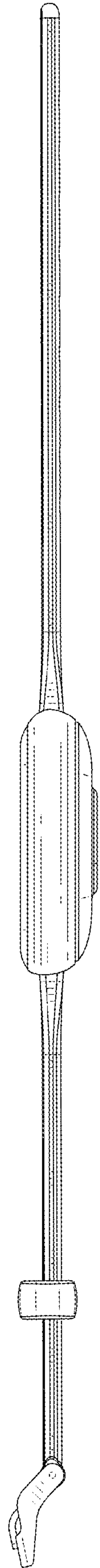


FIG. 8

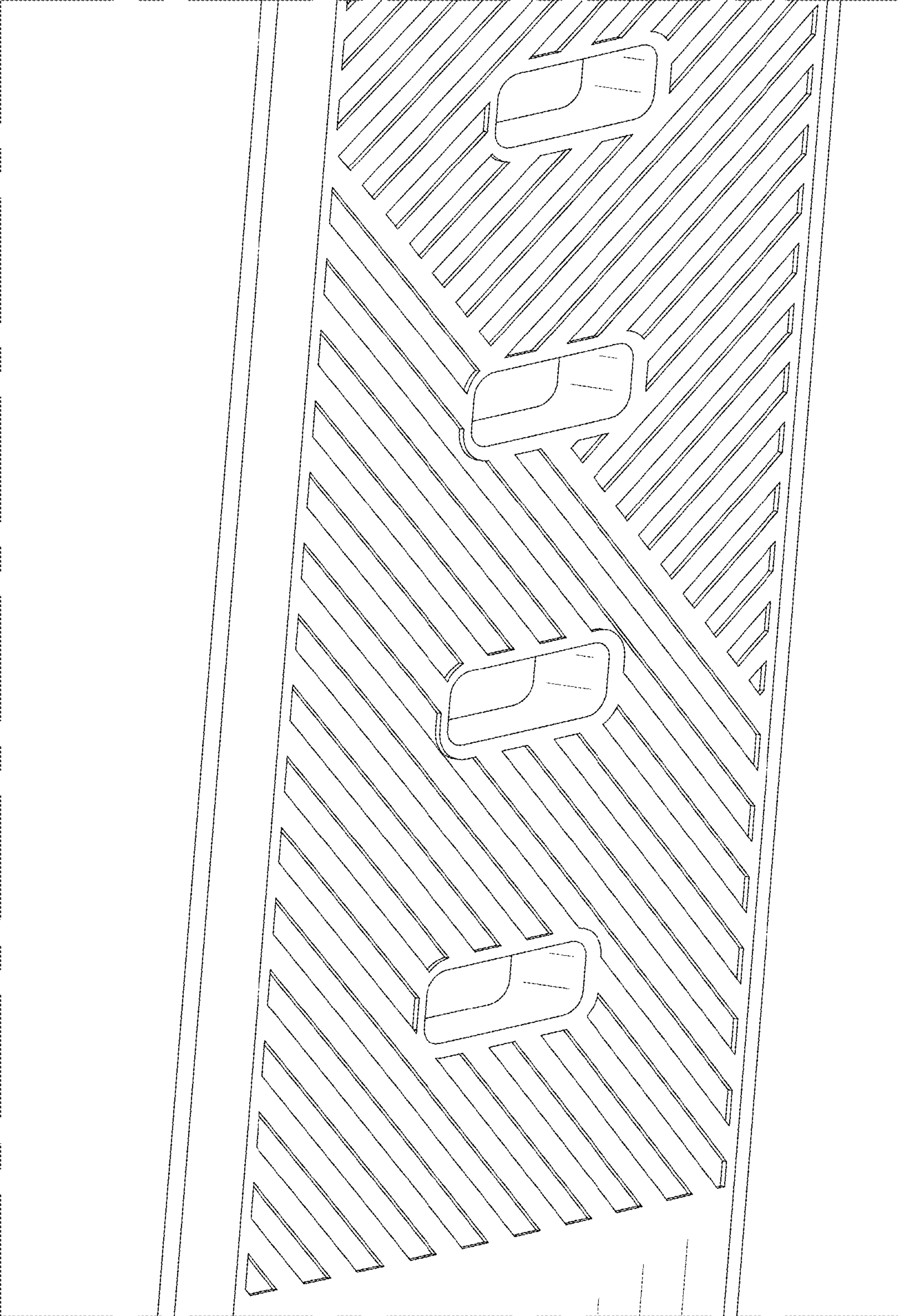


FIG. 9