



US00D887399S

(12) **United States Design Patent**
Zukowski

(10) **Patent No.:** **US D887,399 S**
(45) **Date of Patent:** **** Jun. 16, 2020**

(54) **NOISE MITIGATING MICROPHONE ATTACHMENT**

(71) Applicant: **Kaotica Corporation, Corporation**
#2015091974, Calgary (CA)

(72) Inventor: **Konrad Zukowski, Calgary (CA)**

(73) Assignee: **Kaotica Corporation, Corporation**
#2015091974, Calgary (CA)

(**) Term: **15 Years**

(21) Appl. No.: **29/644,279**

(22) Filed: **Apr. 16, 2018**

Related U.S. Application Data

(60) Division of application No. 29/585,882, filed on Nov. 29, 2016, now Pat. No. Des. 817,935, which is a continuation of application No. 29/532,371, filed on Jul. 6, 2015, now abandoned, which is a division of application No. 29/471,259, filed on Oct. 30, 2013, now Pat. No. Des. 733,690.

(51) **LOC (12) Cl.** **14-01**

(52) **U.S. Cl.**
USPC **D14/228**

(58) **Field of Classification Search**
USPC D14/203.1, 203.6, 204–207, 210–221,
D14/223–229, 509; 381/322, 354–361,
381/380; 181/158, 242, 207; D11/121;
D7/629; D9/425, 504, 505, 119, 715,
D9/726, 776

CPC H04R 1/025; H04R 1/083; H04R 1/086;
H04R 1/2876; H04R 1/342; H04R 3/04
See application file for complete search history.

(56) **References Cited**

U.S. PATENT DOCUMENTS

635,569 A 10/1899 Josiah
D49,555 S * 8/1916 Vivaudou D9/504

D69,766 S 3/1926 Miller
D112,545 S 11/1937 Younghusband
2,263,408 A 11/1941 Lakhovsky
2,881,850 A 4/1959 Bonn
D186,892 S 12/1959 Wilber
D210,538 S 3/1968 Lahti
3,440,365 A 4/1969 Hazell et al.
3,573,400 A 4/1971 Sessler et al.

(Continued)

FOREIGN PATENT DOCUMENTS

EP 2330829 6/2011
EP 2893714 7/2017

(Continued)

OTHER PUBLICATIONS

AES 2013 New Gear Highlights—SonicScoop. [online] p. 9 of 13. Oct. 23, 2013 [Retrieved on Oct. 21, 2019] <https://sonicscoop.com/2013/10/23/aes-2013-new-gear-highlights/2/>.*

(Continued)

Primary Examiner — Marie D. Fast Horse

(74) *Attorney, Agent, or Firm* — Kilpatrick Townsend & Stockton LLP

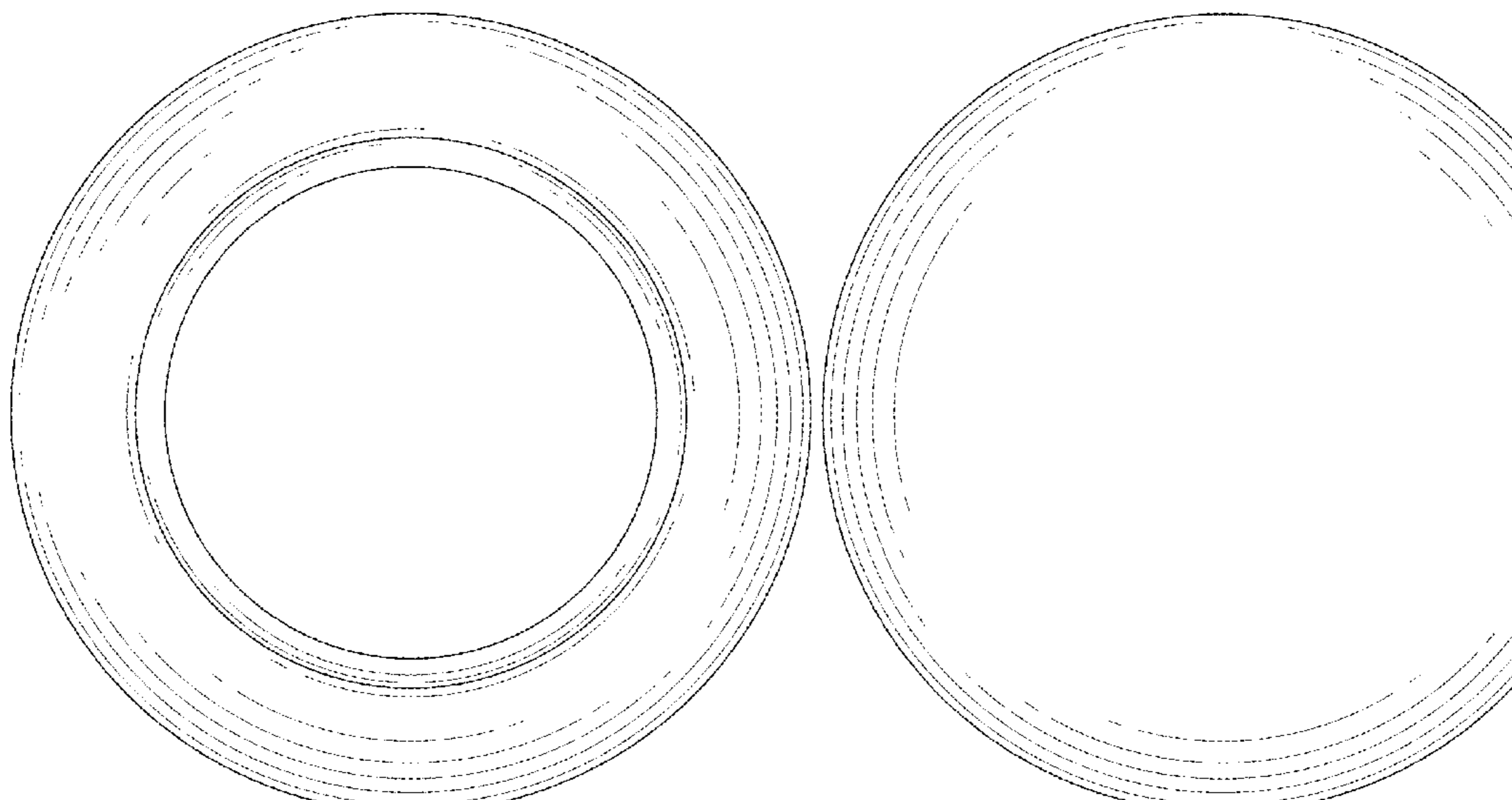
(57) **CLAIM**

The ornamental design for noise mitigating microphone attachment, as shown and described.

DESCRIPTION

FIG. 1 is a front elevational view of a noise mitigating microphone attachment showing my new design; FIG. 2 is a rear elevational view thereof; FIG. 3 is a top plan view thereof; FIG. 4 is a bottom plan view thereof; FIG. 5 is a right side elevational view thereof; FIG. 6 is a left side elevational view thereof; and, FIG. 7 is a right, front perspective view thereof.

1 Claim, 4 Drawing Sheets



(56)

References Cited

U.S. PATENT DOCUMENTS

D222,072 S 9/1971 Levitt
 3,895,188 A 7/1975 Ingraham
 D238,098 S 12/1975 Fink
 4,037,052 A 7/1977 Doi et al.
 D254,716 S 4/1980 Mascia et al.
 D256,110 S 7/1980 Dunbar et al.
 4,264,790 A 4/1981 Zlevor et al.
 D264,994 S 6/1982 Rippley
 D272,128 S 1/1984 Parmentier
 4,570,746 A 2/1986 Das et al.
 D286,858 S 11/1986 Giorgio
 D291,179 S 8/1987 Frizon
 D292,311 S 10/1987 Joyaux et al.
 4,703,872 A 11/1987 Cornette et al.
 4,792,013 A 12/1988 Boynton
 4,805,728 A 2/1989 Carter et al.
 4,834,212 A 5/1989 Figone et al.
 4,953,223 A 8/1990 Householder et al.
 4,967,874 A 11/1990 Scalli et al.
 5,022,486 A 6/1991 Miura et al.
 D328,177 S 7/1992 Turner
 D340,072 S 10/1993 Turner
 D340,073 S 10/1993 Turner
 D340,074 S 10/1993 Turner
 D340,075 S 10/1993 Turner
 D340,076 S 10/1993 Turner
 D340,077 S 10/1993 Turner
 5,309,808 A 5/1994 Tarrant et al.
 5,395,168 A 3/1995 Leenen
 D386,764 S 11/1997 Lake
 5,692,060 A 11/1997 Wickstrom
 D395,715 S 6/1998 Queen
 D396,639 S 8/1998 Pedersen-rask
 D404,681 S 1/1999 Galerneau
 D430,142 S 8/2000 Kuo et al.
 D431,481 S 10/2000 Bruhn
 6,152,582 A 11/2000 Klaus
 D445,831 S 7/2001 Lindner
 D447,471 S 9/2001 Andre et al.
 D453,364 S 2/2002 Brothers
 D460,952 S 7/2002 Kataoka
 D464,571 S 10/2002 Hill et al.
 D477,022 S * 7/2003 Rosenbaum D19/179
 D484,486 S 12/2003 Solland
 D487,111 S * 2/2004 Rosenbaum D19/201
 D487,739 S 3/2004 Wise
 6,738,487 B1 5/2004 Nageno et al.
 D491,484 S * 6/2004 Tyler D11/121
 6,968,053 B1 11/2005 Ray et al.
 6,991,289 B2 1/2006 House
 D519,112 S 4/2006 Yang
 D525,375 S 7/2006 Funck et al.
 D525,880 S * 8/2006 Okamura D10/15
 D526,644 S 8/2006 Breit
 D528,257 S 9/2006 Leclerc et al.
 D534,814 S 1/2007 Johnston et al.
 D552,084 S 10/2007 Chapman et al.
 D554,682 S 11/2007 Martinez et al.
 D564,900 S 3/2008 Green et al.
 D566,189 S 4/2008 Ivey
 7,496,208 B2 2/2009 Uchimura et al.
 D588,022 S * 3/2009 Hocherman D10/15
 D588,583 S 3/2009 McDougal
 D592,064 S 5/2009 Kilany
 D596,306 S 7/2009 Levine
 D596,616 S 7/2009 Andre et al.
 D599,330 S 9/2009 Andre et al.
 D602,311 S 10/2009 Finell
 D612,245 S 3/2010 Canamasas Puigbo
 D618,209 S 6/2010 Andre et al.
 D618,210 S 6/2010 Andre et al.
 7,747,033 B2 6/2010 Uchimura
 7,783,069 B1 8/2010 Miller et al.
 7,840,013 B2 11/2010 Dedieu et al.
 D631,204 S 1/2011 Dubitsky et al.

7,916,887 B2 3/2011 Cleckler et al.
 D640,248 S 6/2011 Baumann et al.
 D645,846 S 9/2011 Mordechai
 D646,429 S 10/2011 Sabernig
 D650,280 S 12/2011 De Peyerimhoff et al.
 8,069,946 B1 12/2011 Cruise, III et al.
 D661,540 S 6/2012 Facey
 D661,994 S 6/2012 Van Den et al.
 D674,103 S 1/2013 Smith
 D675,194 S 1/2013 Andre et al.
 D676,423 S 2/2013 Joseph
 8,430,258 B2 4/2013 Yamamoto et al.
 D690,344 S 9/2013 Hollinger
 D692,547 S 10/2013 Wirz
 D693,814 S 11/2013 Park
 D696,298 S 12/2013 Britt, Jr. et al.
 D698,023 S 1/2014 Iseberg et al.
 D699,674 S 2/2014 Man
 D700,591 S 3/2014 Xiao et al.
 D701,831 S 4/2014 Park et al.
 D703,945 S 5/2014 Reynolds
 D705,844 S 5/2014 Bart et al.
 8,730,037 B2 5/2014 Houvener et al.
 8,737,662 B2 5/2014 Zukowski
 D711,351 S 8/2014 Breines
 8,989,420 B1 3/2015 Hamer et al.
 D726,157 S * 4/2015 Chang D14/216
 D733,690 S 7/2015 Zukowski et al.
 9,118,989 B2 8/2015 Zukowski
 D743,941 S 11/2015 Patsis
 D747,995 S 1/2016 Mclaughlin
 D759,428 S * 6/2016 Kehoe D15/90
 D770,415 S 11/2016 Pellisari et al.
 D773,327 S 12/2016 Furuya et al.
 D777,979 S * 1/2017 Lozano D28/38
 D793,363 S 8/2017 Zhang
 D801,953 S * 11/2017 Sunwoo D14/225
 D802,561 S 11/2017 Manginello
 D808,936 S * 1/2018 Cooper D14/225
 D817,935 S * 5/2018 Zukowski D14/228
 D825,536 S * 8/2018 Kirby D14/228
 D829,688 S * 10/2018 Tanaka D14/216
 D834,299 S * 11/2018 Van Langen D3/201
 D855,583 S * 8/2019 Capecelatro D14/216
 D859,411 S * 9/2019 Bidwell D14/420
 D866,553 S * 11/2019 Miura D14/388
 2003/0080197 A1 5/2003 Tuomikoski et al.
 2005/0126848 A1 6/2005 Siavoshai et al.
 2005/0271233 A1 12/2005 Uchimura et al.
 2007/0160246 A1 7/2007 Vollmer
 2008/0137880 A1 6/2008 Mills et al.
 2008/0302599 A1 12/2008 Zou
 2009/0202097 A1 8/2009 Tiscareno et al.
 2011/0031060 A1 2/2011 Epping et al.
 2012/0183156 A1 7/2012 Schlessinger et al.
 2013/0308796 A1 11/2013 Levinsohn et al.
 2014/0061077 A1 3/2014 Gutttag et al.
 2014/0064543 A1 3/2014 Zukowski
 2014/0064544 A1 3/2014 Zukowski
 2015/0010165 A1 1/2015 Peng

FOREIGN PATENT DOCUMENTS

HK 1212536 6/2016
 JP S57196950 12/1982
 JP 59101585 7/1984
 JP H01151694 10/1989
 JP 11127492 5/1999
 JP 2009246959 10/2009
 JP 2011254193 12/2011
 JP 2015527851 9/2015
 JP 6288651 2/2018
 WO 9949697 9/1999

(56)

References Cited

FOREIGN PATENT DOCUMENTS

WO	2009134519	11/2009
WO	2014036646	3/2014

OTHER PUBLICATIONS

Audio appliances for recording of sounds—part of. (Design—© Questel) orbit.com. [online PDF] 5 pgs. Print Date Sep. 13, 2014 [Retrieved on Oct. 21, 2019] <https://sobjprd.questel.fr/export/QPTUJ214/pdf2/840a74b5-76d5-4b2a-b3cd-3aa2cf706e49-215210.pdf>.*

KR10-2015-7008709 , “Office Action”, dated Apr. 17, 2019, 17 pages.

“Sennheiser MZW 421 A Windshield”, Retrieved from Internet: <http://www.ebay.de/itm/SENNHEISER-MZW-421-A-Windschutz-MZW421-MD421-MD-421-NEU-/260779443446>, Apr. 6, 2012, 4 pages.

U.S. Appl. No. 13/604,589 , “Non-Final Office Action”, dated Oct. 21, 2013, 9 pages.

U.S. Appl. No. 13/604,589 , “Notice of Allowance”, dated Mar. 26, 2014, 10 pages.

U.S. Appl. No. 13/766,371 , “Advisory Action”, dated May 4, 2015, 3 pages.

U.S. Appl. No. 13/766,371 , “Final Office Action”, dated Jan. 29, 2015, 10 pages.

U.S. Appl. No. 13/766,371 , “Non-Final Office Action”, dated Jun. 19, 2014, 9 pages.

U.S. Appl. No. 13/766,371 , “Notice of Allowance”, dated Jun. 23, 2015, 9 pages.

U.S. Appl. No. 29/471,259 , “Final Office Action”, dated Mar. 12, 2015, 7 pages.

U.S. Appl. No. 29/471,259 , “Non-Final Office Action”, dated Nov. 6, 2014, 11 pages.

U.S. Appl. No. 29/471,259 , “Notice of Allowance”, dated May 26, 2015, 9 pages.

U.S. Appl. No. 29/471,259 , “Restriction Requirement”, dated Aug. 18, 2014, 9 pages.

U.S. Appl. No. 29/532,371 , “Advisory Action”, dated Nov. 16, 2016, 3 pages.

U.S. Appl. No. 29/532,371 , “Final Office Action”, dated Jul. 29, 2016, 5 pages.

U.S. Appl. No. 29/532,371 , “Non-Final Office Action”, dated Apr. 1, 2016, 6 pages.

U.S. Appl. No. 29/585,882 , “Notice of Allowance”, dated Jan. 19, 2018, 8 pages.

AU2013312972 , “First Examiner Report”, dated Dec. 2, 2016, 5 pages.

AU2013312972 , “Second Examiner Report”, dated Jun. 30, 2017, 5 pages.

CA156,380 , “Office Action”, dated Oct. 28, 2014, 2 pages.

EP13835178.8 , “Extended European Search Report”, dated Aug. 27, 2015, 7 pages.

EP13835178.8 , “Office Action”, dated May 2, 2016, 5 pages.

JP2015-530250 , “Office Action”, dated Jun. 5, 2017, 10 pages.

PCT/CA2013/050674 , “International Search Report & Written Opinion”, dated Oct. 28, 2013, 9 pages.

SG11201501397P , “Notice of Decision to Grant”, dated Jul. 6, 2017, 4 pages.

SG11201501397P , “Written Opinion”, dated Sep. 9, 2016, 5 pages.

SG11201501397P , “Written Opinion”, dated Nov. 5, 2015, 7 pages.

KR10-2015-7008709 , “Office Action”, dated Dec. 29, 2019, 5 pages.

* cited by examiner

FIG. 1

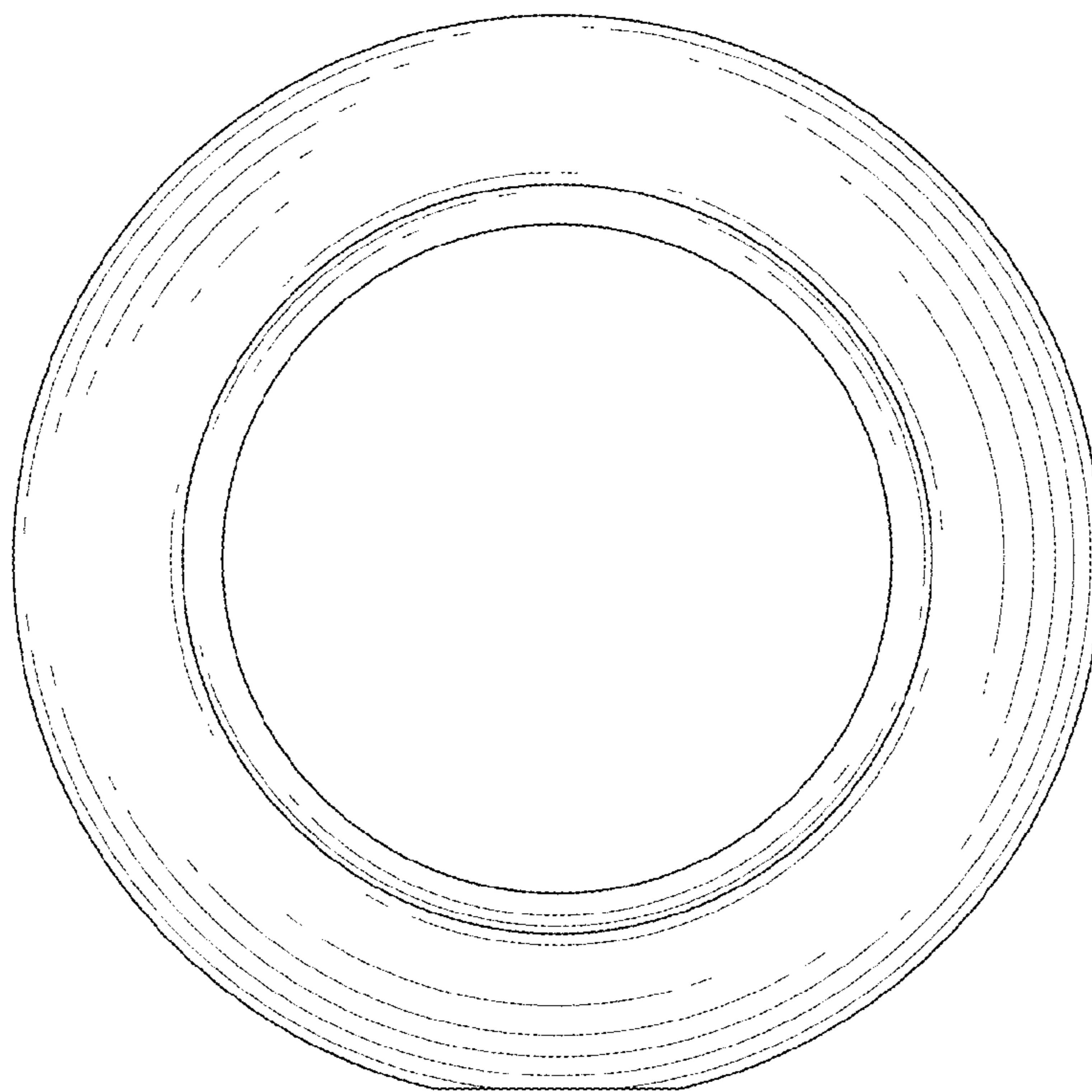


FIG. 2

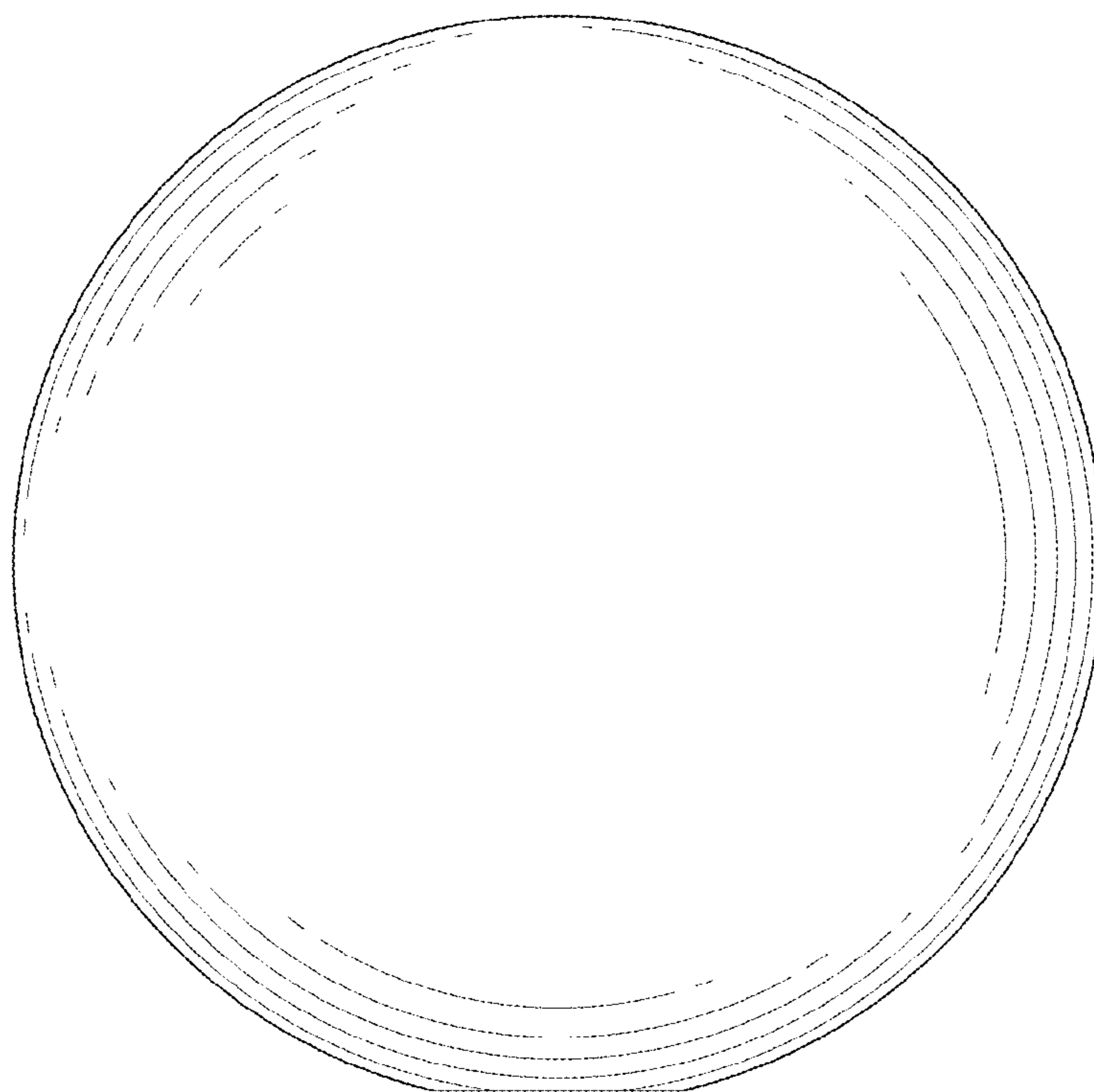


FIG. 3

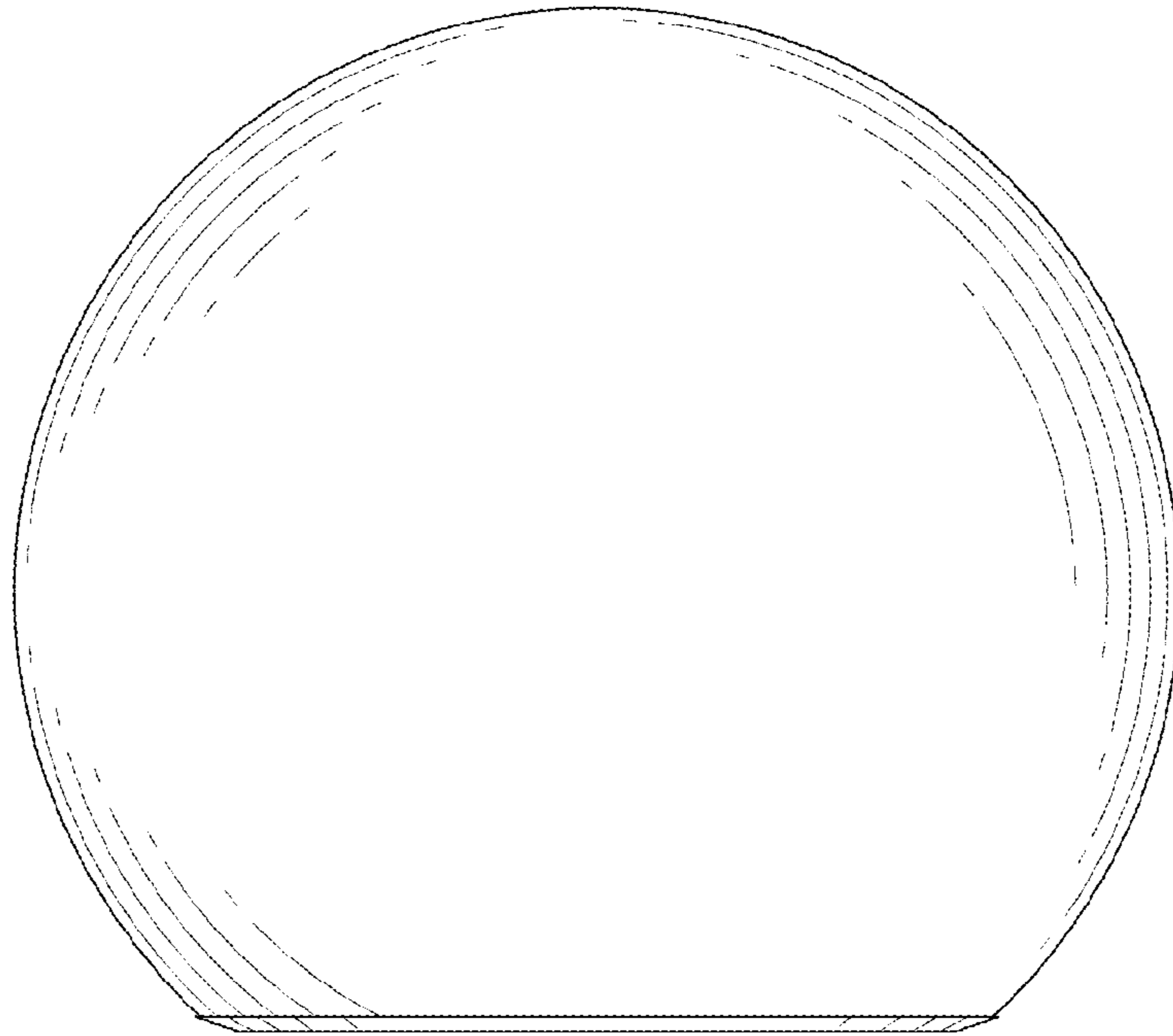


FIG. 4

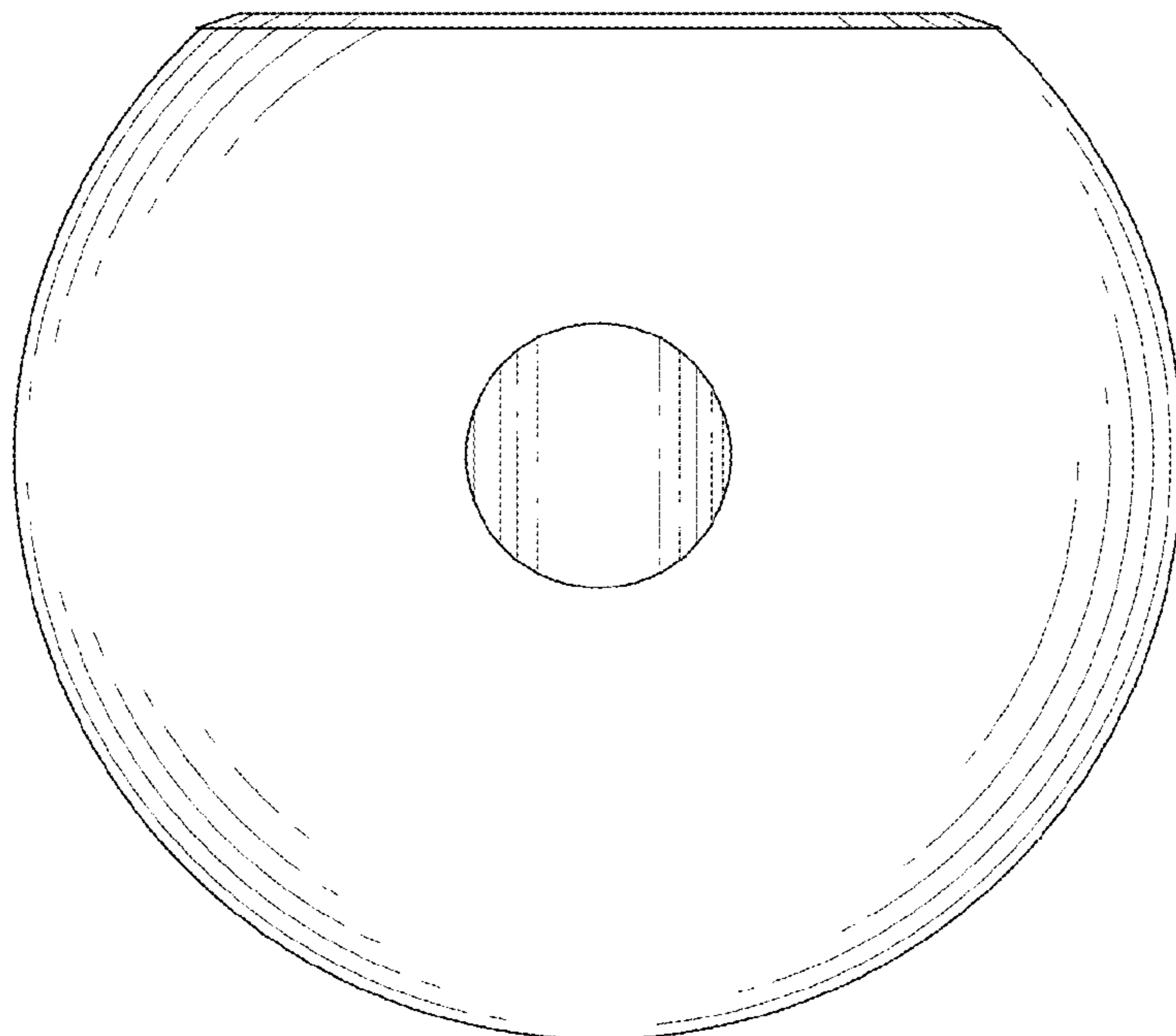


FIG.5

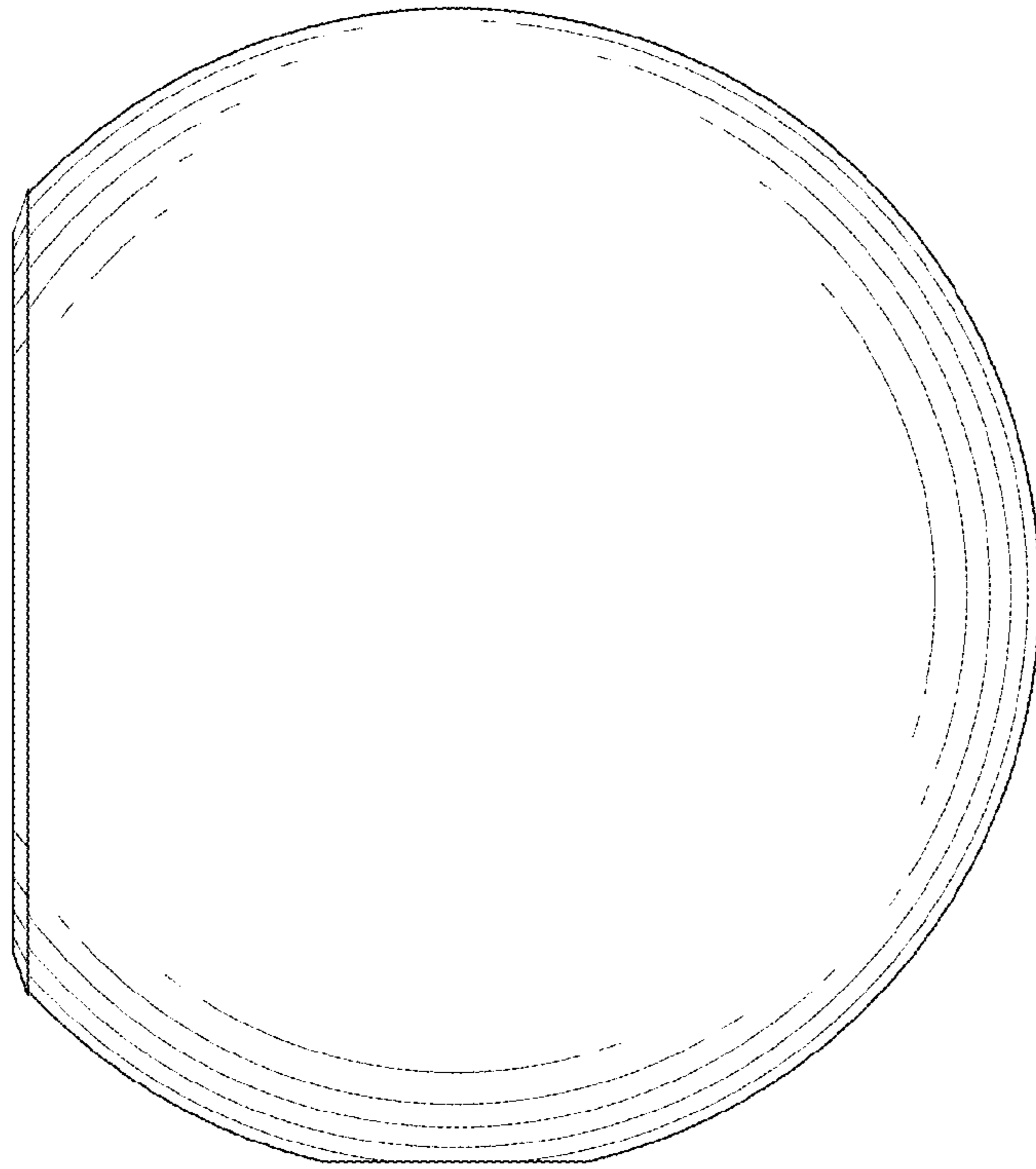


FIG.6

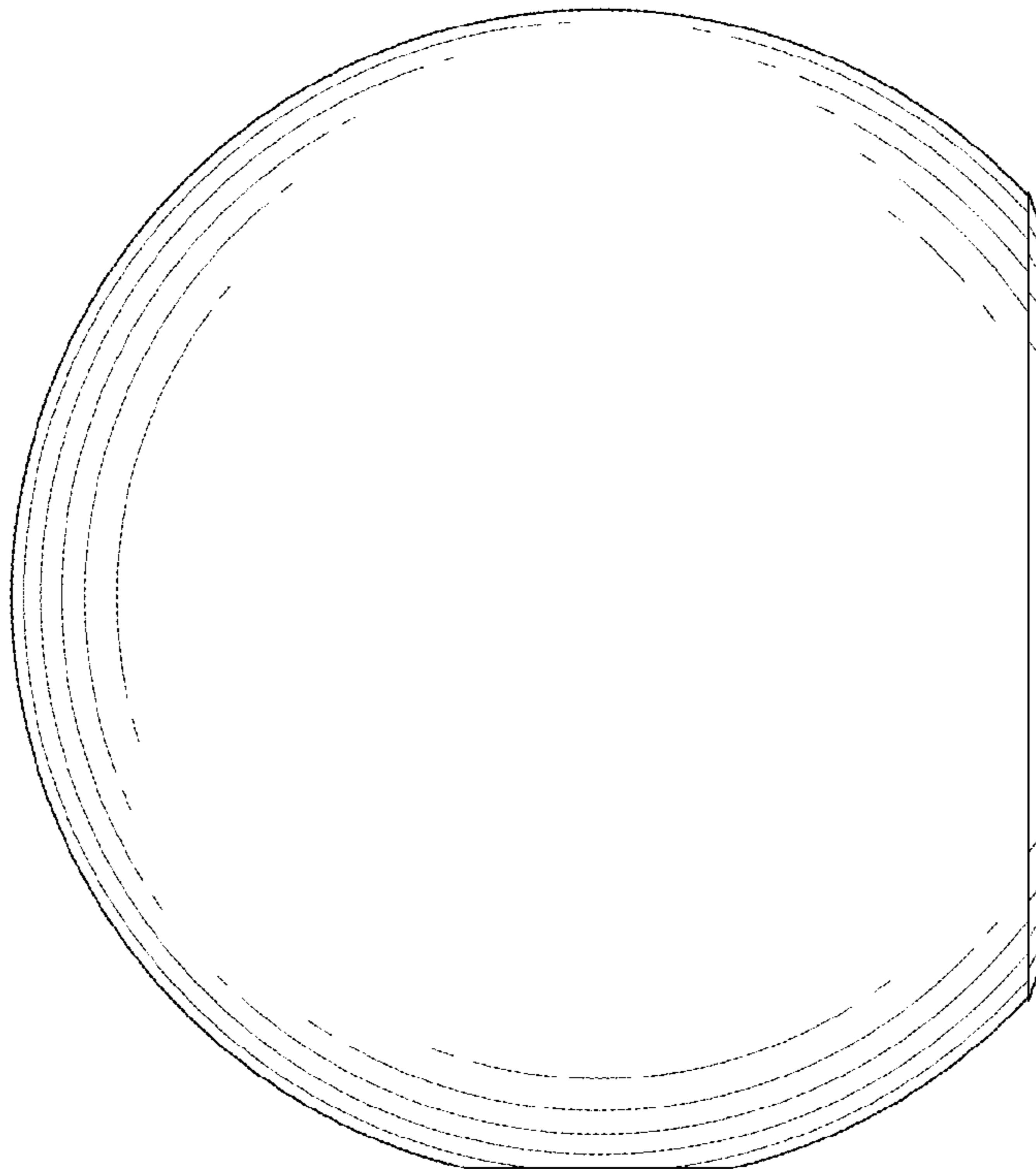


FIG. 7

