



US00D887398S

(12) **United States Design Patent**
Chen

(10) **Patent No.:** **US D887,398 S**
(45) **Date of Patent:** **** Jun. 16, 2020**

- (54) **SWING MICROPHONE**
- (71) Applicant: **Ching-Wen Chen**, Taipei (TW)
- (72) Inventor: **Ching-Wen Chen**, Taipei (TW)
- (**) Term: **15 Years**
- (21) Appl. No.: **29/669,547**
- (22) Filed: **Nov. 9, 2018**
- (51) **LOC (12) Cl.** **14-01**
- (52) **U.S. Cl.**
USPC **D14/226**
- (58) **Field of Classification Search**
USPC ... D14/226, 225, 433, 217, 224, 224.1, 240,
D14/229, 227, 228, 252, 256, 251, 140,
D14/188, 162, 137; D13/133, 144, 168;
181/129, 130, 135; 381/361, 189, 363,
381/368, 355, 362; 379/430, 388, 363;
439/578, 668; 248/278.1; 455/557,
455/575.2
CPC H04R 25/00; H04R 19/04; H04R 1/08;
H04R 1/04; H04R 1/083; H04R 11/04;
H04R 1/02; E05D 11/08
See application file for complete search history.

(56) **References Cited**

U.S. PATENT DOCUMENTS

- 2,500,048 A * 3/1950 Stoiber F16M 11/18
248/184.1
- 2,776,462 A * 1/1957 Burroughs H04R 1/08
248/122.1
- 3,452,955 A * 7/1969 Hartwig H04R 1/08
248/229.26
- 3,479,500 A * 11/1969 Duddy F21V 21/14
362/388
- 3,781,047 A * 12/1973 Surko, Jr. E05C 17/56
292/251.5
- 3,924,083 A * 12/1975 Hagey H04R 1/08
248/596

- 4,470,106 A * 9/1984 Norton F16M 11/10
248/278.1
- 4,853,965 A * 8/1989 Blonski F16M 11/10
381/363
- 4,928,914 A * 5/1990 Snodell F16M 11/12
248/284.1
- 4,944,016 A * 7/1990 Christian G10H 1/32
381/74
- D314,178 S * 1/1991 Reber D13/144
- D337,333 S * 7/1993 Turk D14/251
- D395,892 S * 7/1998 Solomon D14/224
- 5,991,646 A * 11/1999 Frank B60R 11/0217
455/569.2
- D461,176 S * 8/2002 Siokola D14/155
- 6,459,802 B1 * 10/2002 Young H04R 1/083
381/361

(Continued)

FOREIGN PATENT DOCUMENTS

- CN 304829568 * 9/2018
- CN 304939767 * 12/2018
- KR 300979823.000 * 11/2018

Primary Examiner — Paula Allen Greene

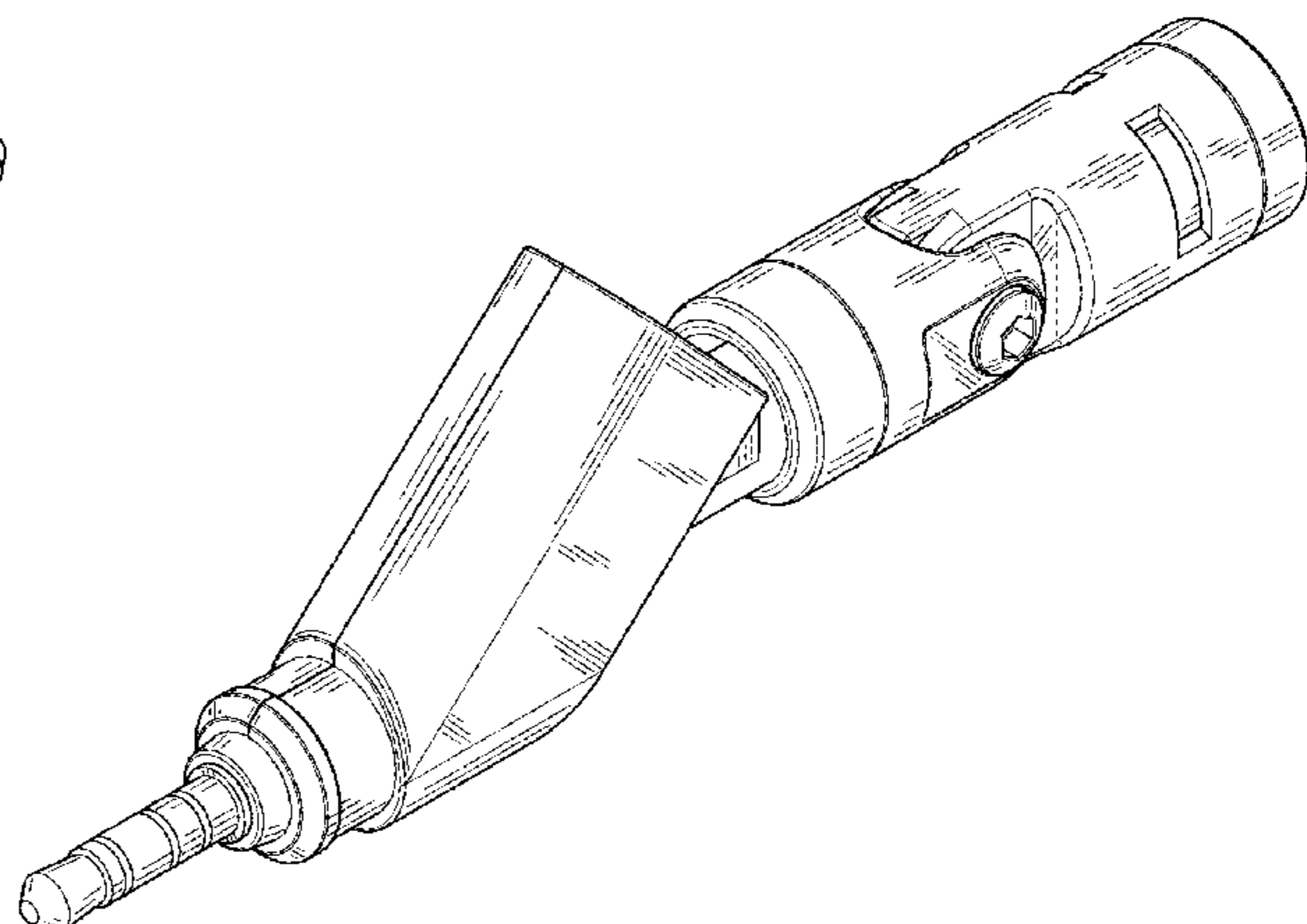
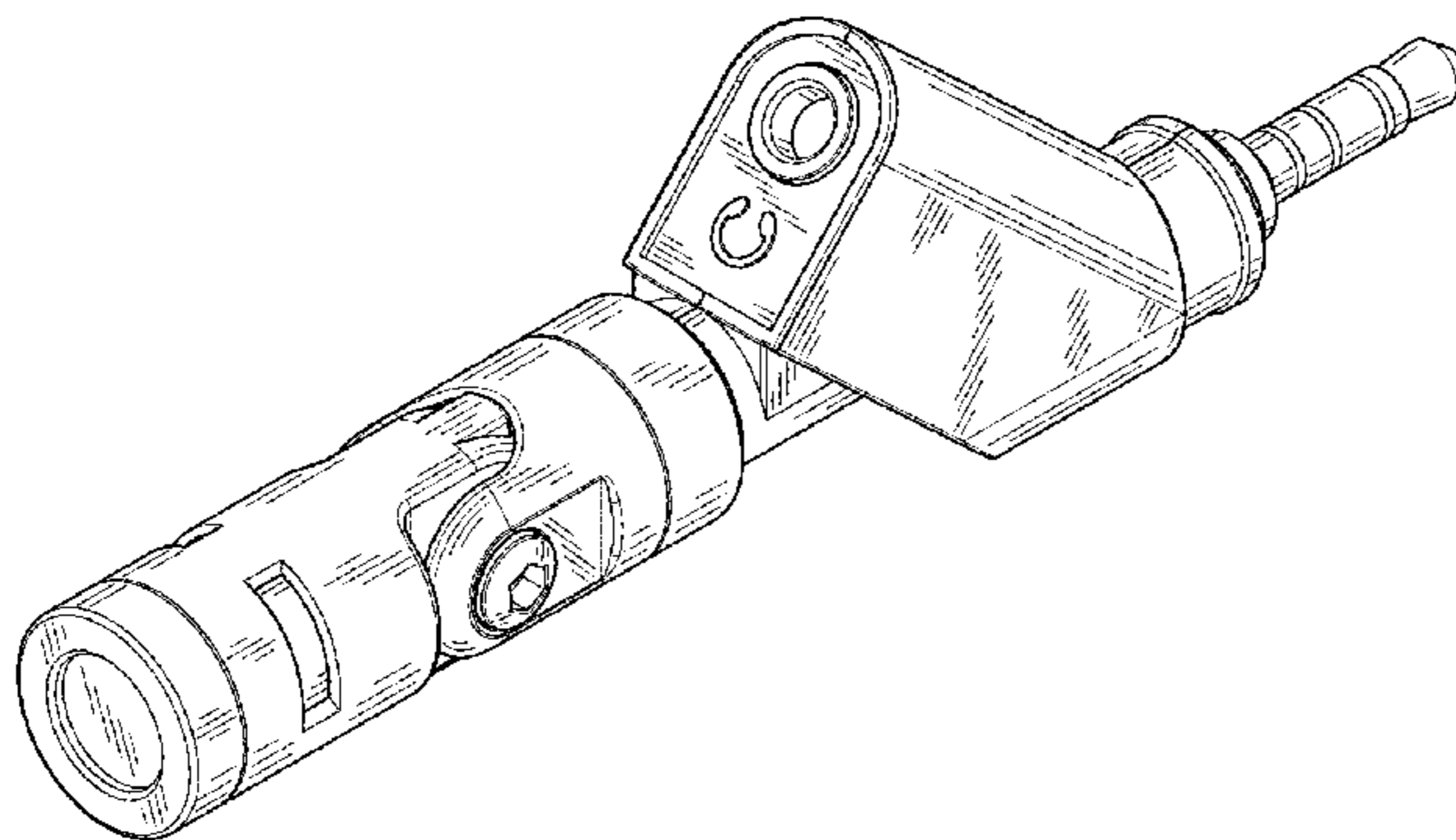
(57) **CLAIM**

The ornamental design for a swing microphone, as shown and described.

DESCRIPTION

FIG. 1 is a top perspective view of a swing microphone showing my new design, the microphone and headphone adapter plug are not drawn on the same z or height plane; FIG. 2 is a front view thereof; FIG. 3 is a rear view thereof; FIG. 4 is a left elevational side view thereof; FIG. 5 is a right elevational side view thereof; FIG. 6 is a top elevational view thereof; FIG. 7 is a bottom elevational view thereof; and, FIG. 8 is a perspective view of the swing microphone.

1 Claim, 7 Drawing Sheets



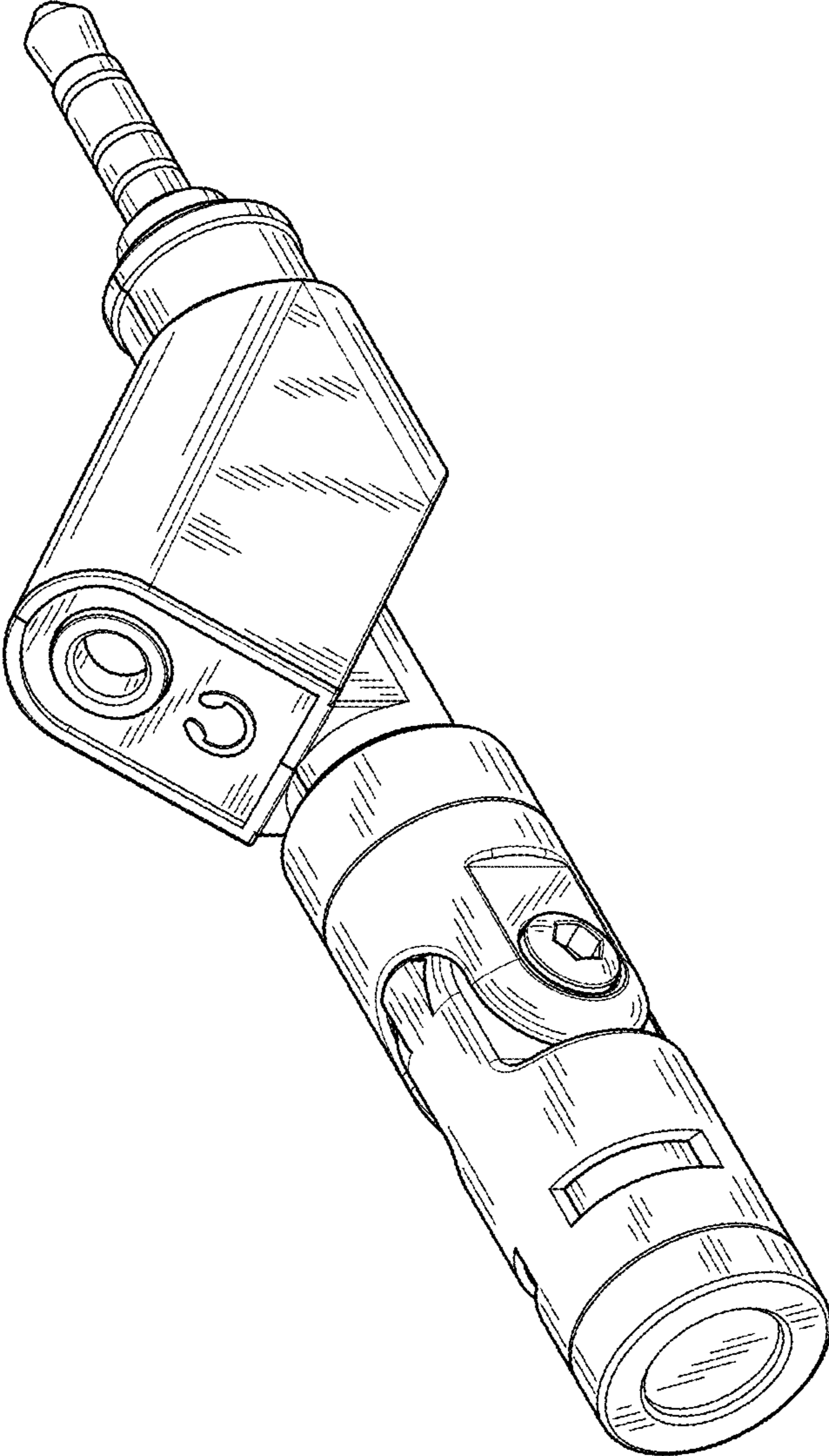


Fig.1

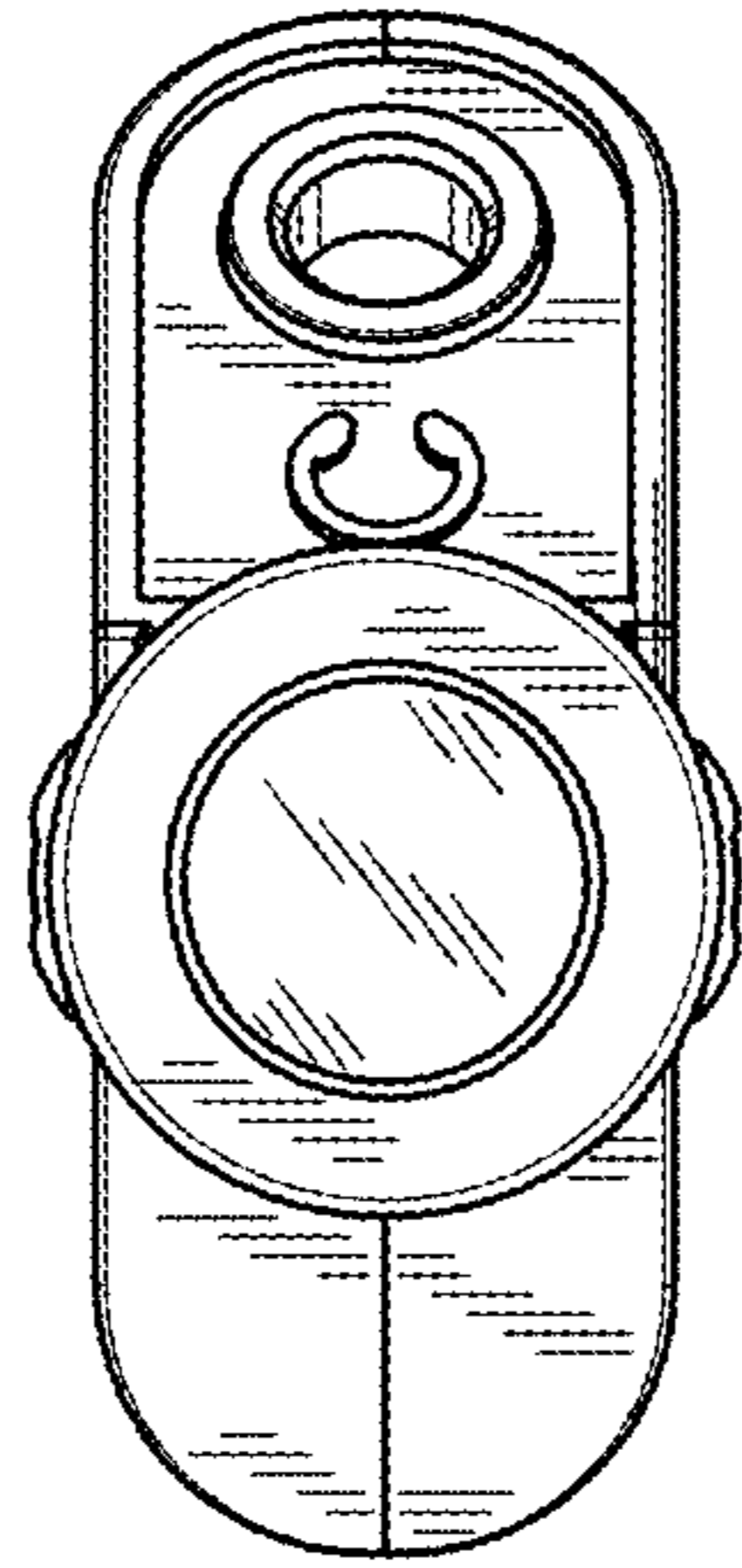


Fig.2

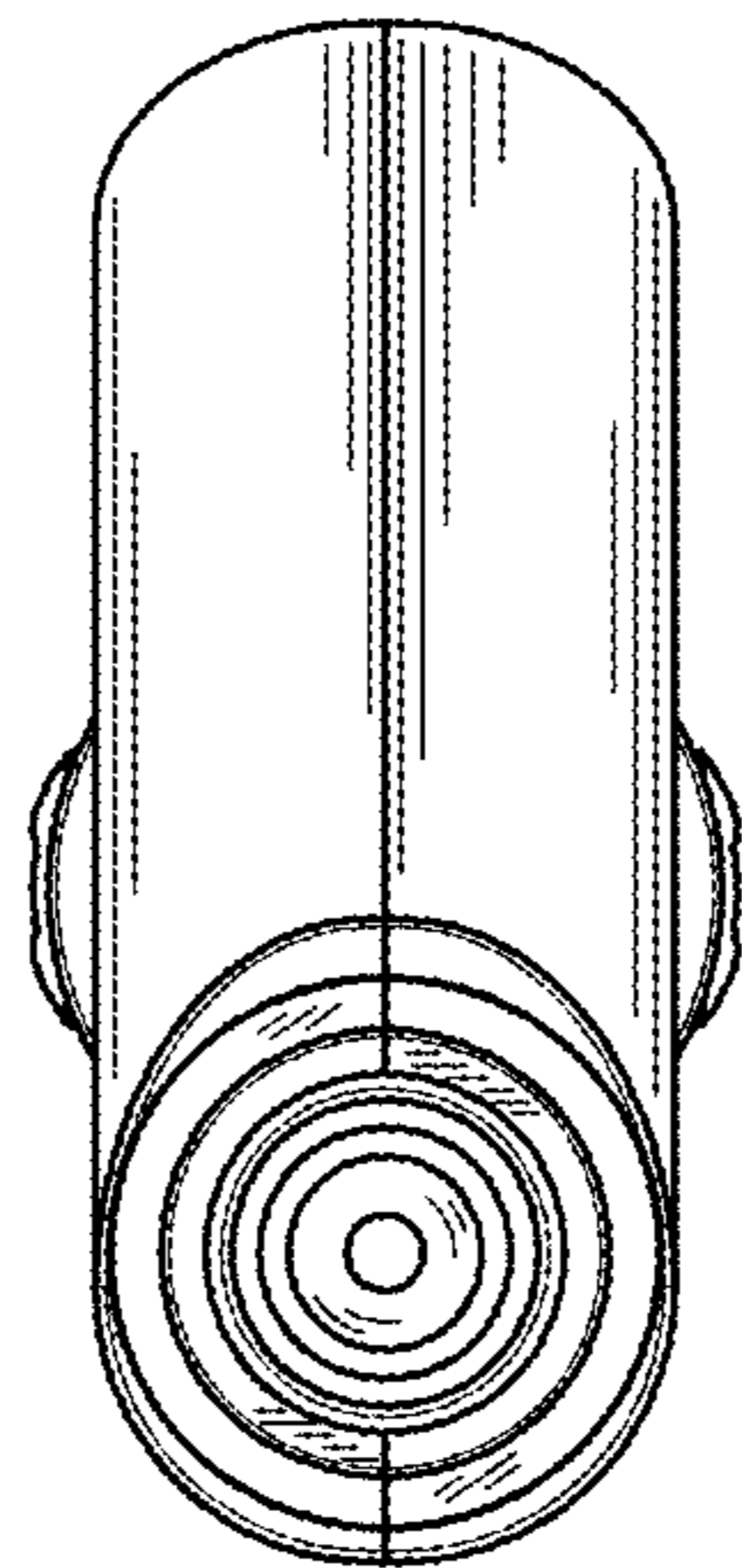


Fig.3

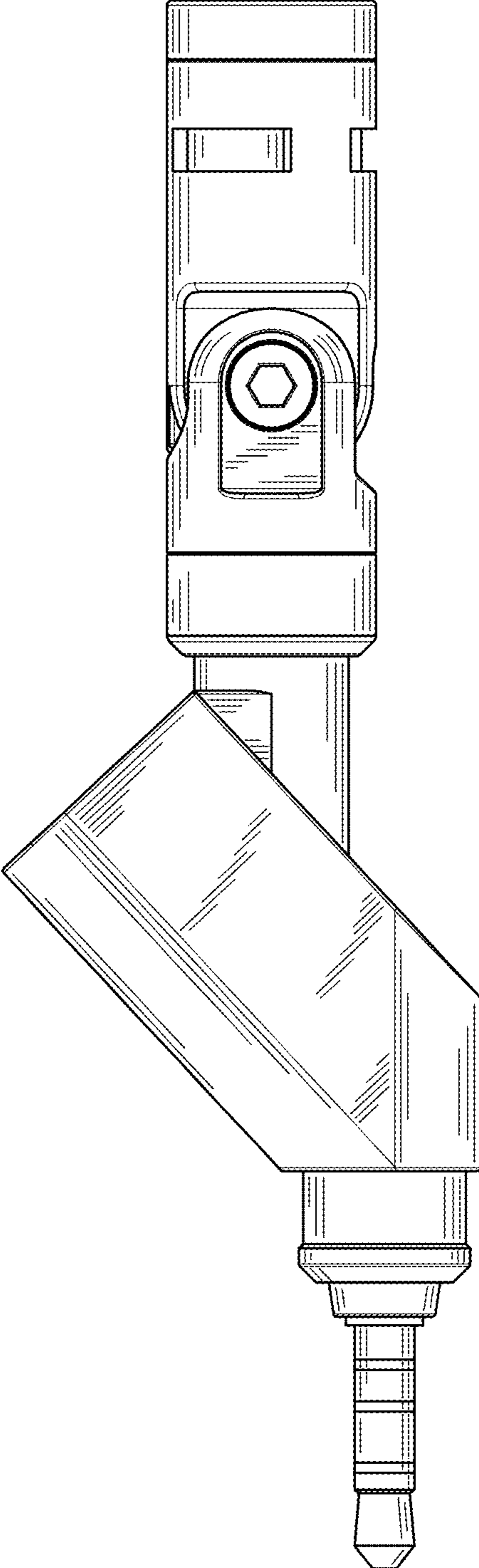


Fig.4

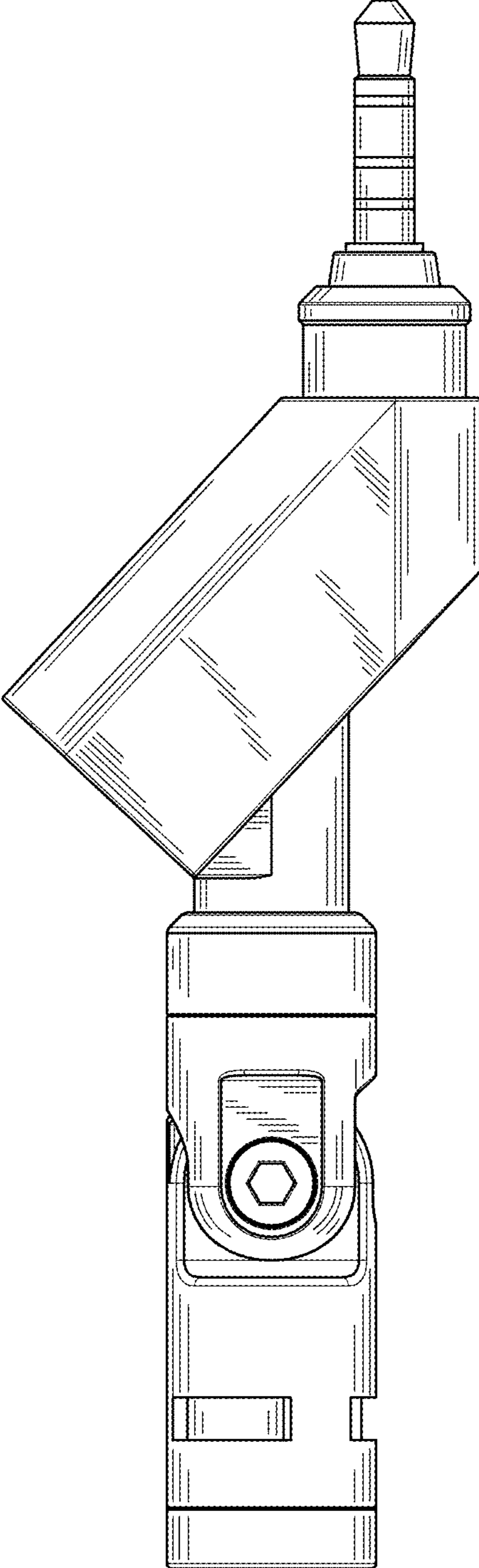


Fig. 5

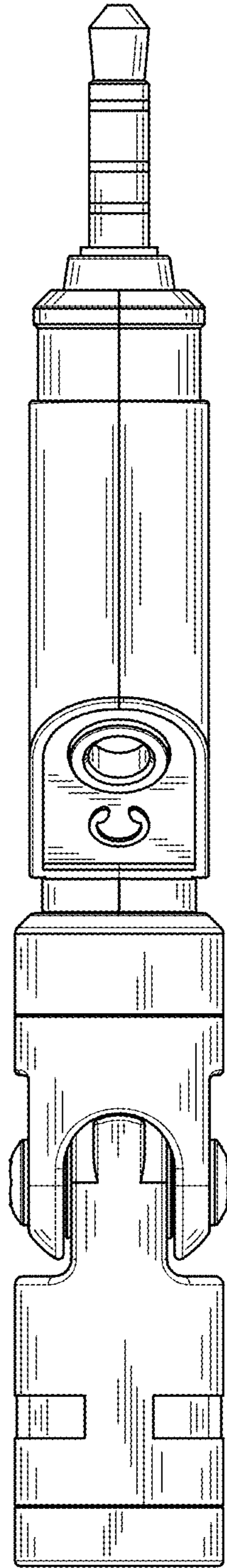


Fig.6

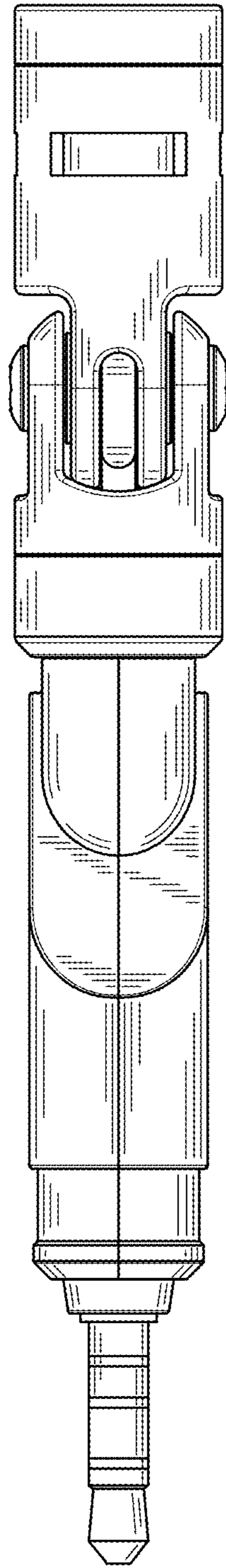


Fig.7

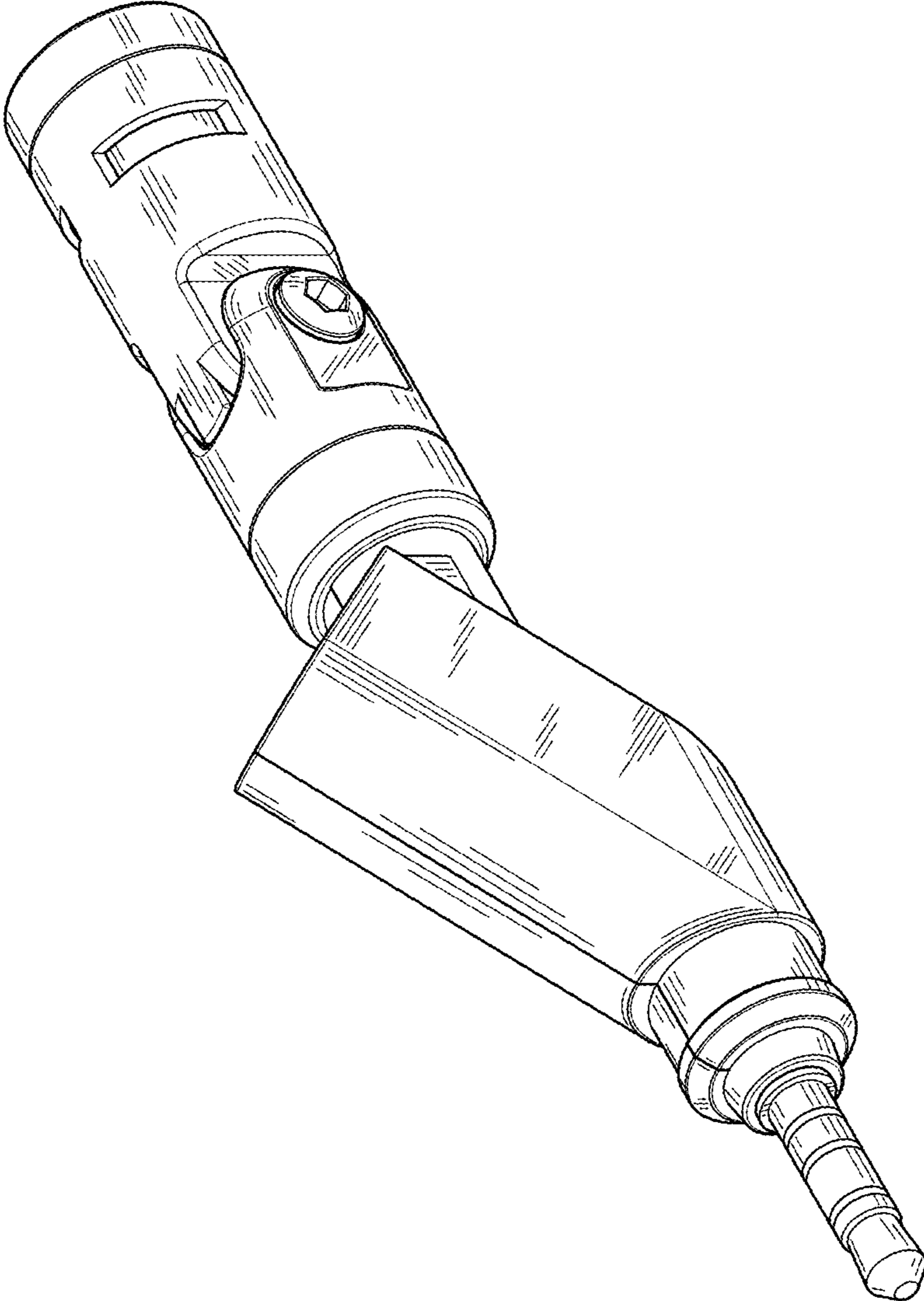


Fig. 8