



US00D887396S

(12) **United States Design Patent**
Wang et al.

(10) **Patent No.:** **US D887,396 S**
(45) **Date of Patent:** **** Jun. 16, 2020**

- (54) **WIRELESS HEADSET**
- (71) Applicant: **Shenzhen Earfun Technology Co., Ltd.**, Shenzhen (CN)
- (72) Inventors: **Zili Wang**, Shenzhen (CN); **Zhigang Deng**, Shenzhen (CN); **Fangfang Lan**, Shenzhen (CN)
- (73) Assignee: **Shenzhen Earfun Technology Co., Ltd.**, Shenzhen (CN)

D566,099	S	*	4/2008	Komiyama	D14/206
D566,687	S	*	4/2008	Duarte	D14/205
D572,242	S	*	7/2008	Yang	D14/205
D572,703	S	*	7/2008	Ledbetter	D14/205
D576,154	S	*	9/2008	Ledbetter	D14/223
D596,616	S	*	7/2009	Andre	D14/205
D618,211	S	*	6/2010	Oguro	D14/205
D623,630	S	*	9/2010	Ohuri	D14/223
D627,765	S	*	11/2010	Zheng	D14/223
D643,417	S	*	8/2011	Lee	D14/223
8,111,861	B2	*	2/2012	Lowry	H04R 1/1016 181/135

(Continued)

- (**) Term: **15 Years**
- (21) Appl. No.: **29/710,427**
- (22) Filed: **Oct. 23, 2019**
- (51) **LOC (12) Cl.** **14-01**
- (52) **U.S. Cl.**
USPC **D14/223**
- (58) **Field of Classification Search**
USPC D14/223, 205; D24/174; 455/41.3, 90.3,
455/569.1, 575.1
CPC H04R 1/10; H04R 25/00; H04R 25/02;
H04R 1/1066; H04R 1/1016; H04R
5/033; H04R 5/0335; H04R 1/1091;
H04R 1/1083; H04R 1/105; H04R 1/1058
See application file for complete search history.

FOREIGN PATENT DOCUMENTS

EM	007055777-0002	*	10/2019
EM	007701610-0001	*	2/2020

Primary Examiner — Paula Allen Greene
(74) *Attorney, Agent, or Firm* — ScienBiziP, P.C.

(56) **References Cited**

U.S. PATENT DOCUMENTS

1,406,510	A	*	2/1922	Weber	H04R 1/1016 381/380
D487,077	S	*	2/2004	Obata	D14/223
D499,397	S	*	12/2004	Hlas	D14/223
D512,049	S	*	11/2005	Yang	D14/205
D531,169	S	*	10/2006	Tokioka	D14/223
D554,109	S	*	10/2007	Ledbetter	D14/223
D556,741	S	*	12/2007	Yeo	D14/205
D557,689	S	*	12/2007	Huang	D14/223
7,349,550	B2	*	3/2008	Oliveira	H04R 1/10 381/374

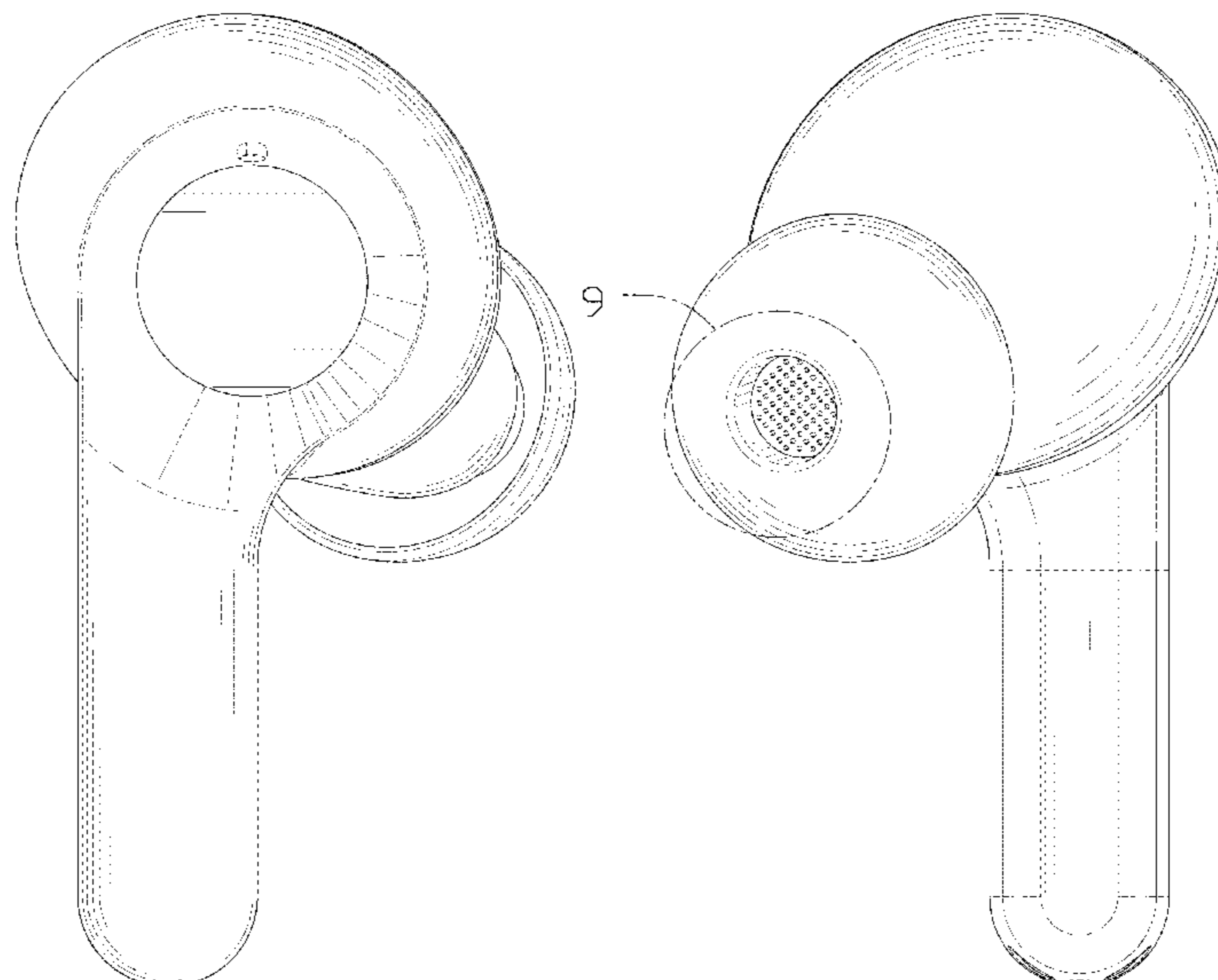
(57) **CLAIM**

The ornamental design for a Bluetooth headset, as shown and described.

DESCRIPTION

FIG. 1 is a front elevation view of a Bluetooth headset, showing our design.
 FIG. 2 is a rear elevation view thereof.
 FIG. 3 is a left side elevation view thereof.
 FIG. 4 is a right side elevation view thereof.
 FIG. 5 is a top plan view thereof.
 FIG. 6 is a bottom plan view thereof.
 FIG. 7 is a top, front, right side perspective view thereof.
 FIG. 8 is a bottom, rear, left side perspective view thereof; and,
 FIG. 9 is an enlarged view of an area labeled 9 in FIG. 2. The broken lines depict environment that are for illustrative purposes only and form no part of the claimed design.

1 Claim, 9 Drawing Sheets



(56)

References Cited

U.S. PATENT DOCUMENTS

D666,580 S *	9/2012	Lee	D14/223	D773,435 S *	12/2016	Ott	D14/205
D666,996 S *	9/2012	Hardi	D14/223	D784,298 S *	4/2017	Ozawa	D14/223
D671,531 S *	11/2012	Kim	D14/223	D784,962 S *	4/2017	Yang	D14/223
D673,531 S *	1/2013	Lee	D14/223	D801,314 S *	10/2017	Akana	D14/223
D678,251 S *	3/2013	Cantoni	D14/223	D802,562 S *	11/2017	Baba	D14/223
8,391,536 B2 *	3/2013	Hashimoto	H04R 1/1016 381/370	D803,184 S *	11/2017	Loh Jun Kern	D14/205
D679,267 S *	4/2013	Lee	D14/223	D813,844 S *	3/2018	Stiff	D14/223
D681,015 S *	4/2013	Akana	H04R 1/1016 D14/223	D820,809 S *	6/2018	Akana	D14/205
D686,597 S *	7/2013	Lee	D14/223	D822,009 S *	7/2018	Matoba	D14/223
8,594,359 B2 *	11/2013	Takei	H04R 1/1016 381/370	D830,336 S *	10/2018	Cai	D14/205
D698,761 S *	2/2014	Bao	D14/223	D830,345 S *	10/2018	Cai	D14/223
8,712,087 B2 *	4/2014	Ozawa	H04R 1/345 181/130	D831,619 S	10/2018	Matoba et al.	
8,831,266 B1 *	9/2014	Huang	H04R 1/1091 381/380	D832,823 S *	11/2018	Xiao	D14/223
D718,284 S *	11/2014	Shibusawa	D14/223	D832,824 S *	11/2018	Kim	D14/223
D718,286 S *	11/2014	Yang	D14/223	D847,125 S *	4/2019	Akana	D14/223
D719,548 S *	12/2014	Thompson	D14/223	D847,794 S	5/2019	Guo et al.	
9,042,588 B2 *	5/2015	Aase	H04R 1/1041 381/380	D848,980 S *	5/2019	Kim	D14/223
D733,101 S *	6/2015	Pi	D14/223	D848,982 S *	5/2019	Kim	D14/223
D735,699 S *	8/2015	Yasuda	D14/223	D861,647 S *	10/2019	Chen	D14/223
D742,860 S *	11/2015	Miyake	D14/223	D864,165 S *	10/2019	Roberts	D14/223
D746,792 S *	1/2016	Kim	D14/205	D864,169 S *	10/2019	Min	D14/223
D757,682 S *	5/2016	Perez	D14/205	D869,445 S *	12/2019	Hu	D14/223
D762,196 S *	7/2016	Hsieh	D14/223	D877,722 S *	3/2020	Yang	D14/223
D762,616 S *	8/2016	Hsieh	D14/205	D878,337 S *	3/2020	Yang	D14/223
				2009/0136074 A1 *	5/2009	Chang	H04R 1/06 381/380
				2012/0003937 A1 *	1/2012	Zhong	H04M 1/6066 455/41.3
				2012/0237074 A1 *	9/2012	Aase	H04R 1/1058 381/380
				2013/0004011 A1 *	1/2013	Hayashida	H04R 1/1016 381/380
				2020/0068283 A1 *	2/2020	Chou	H04R 1/1025

* cited by examiner

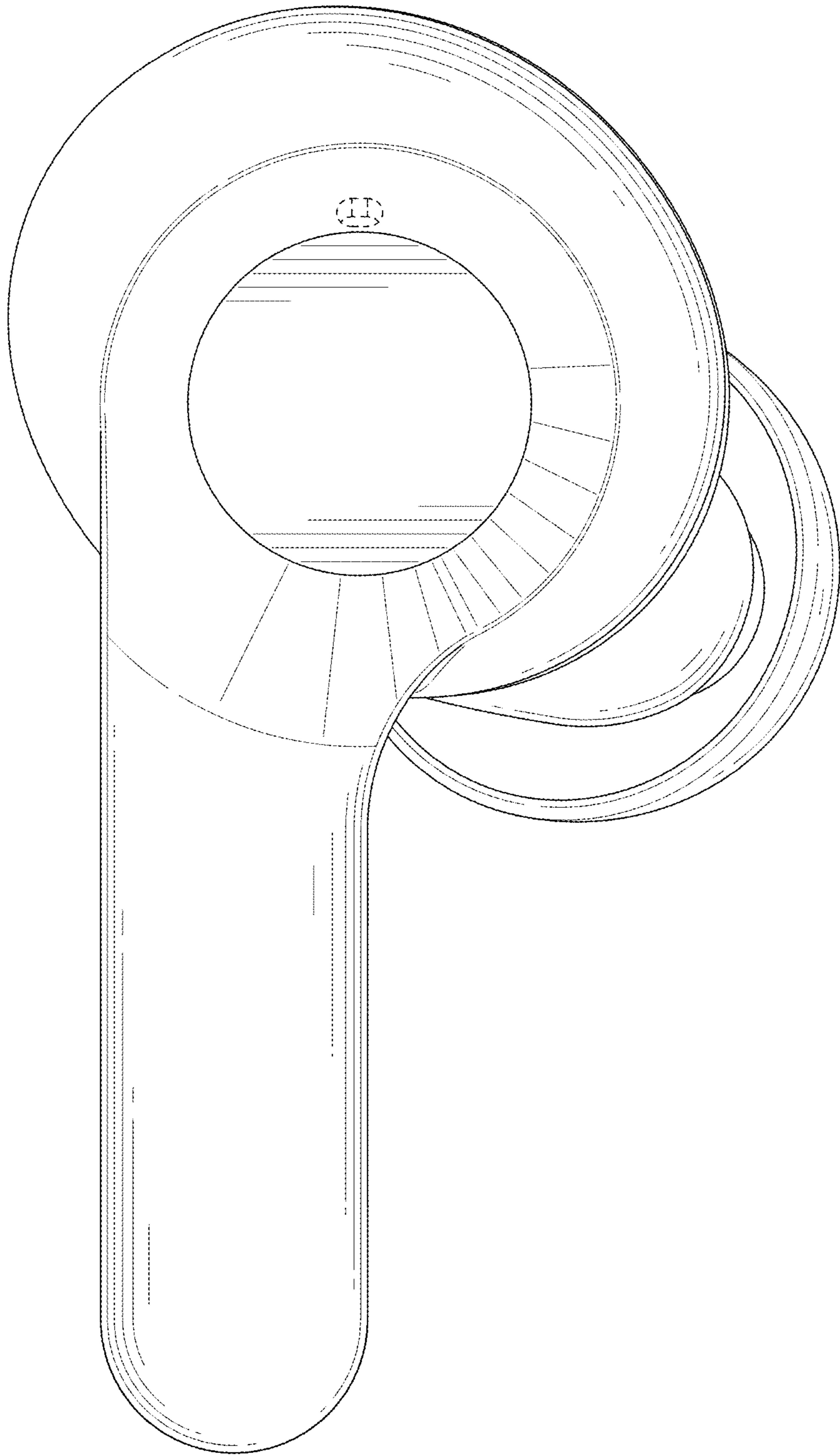


FIG. 1

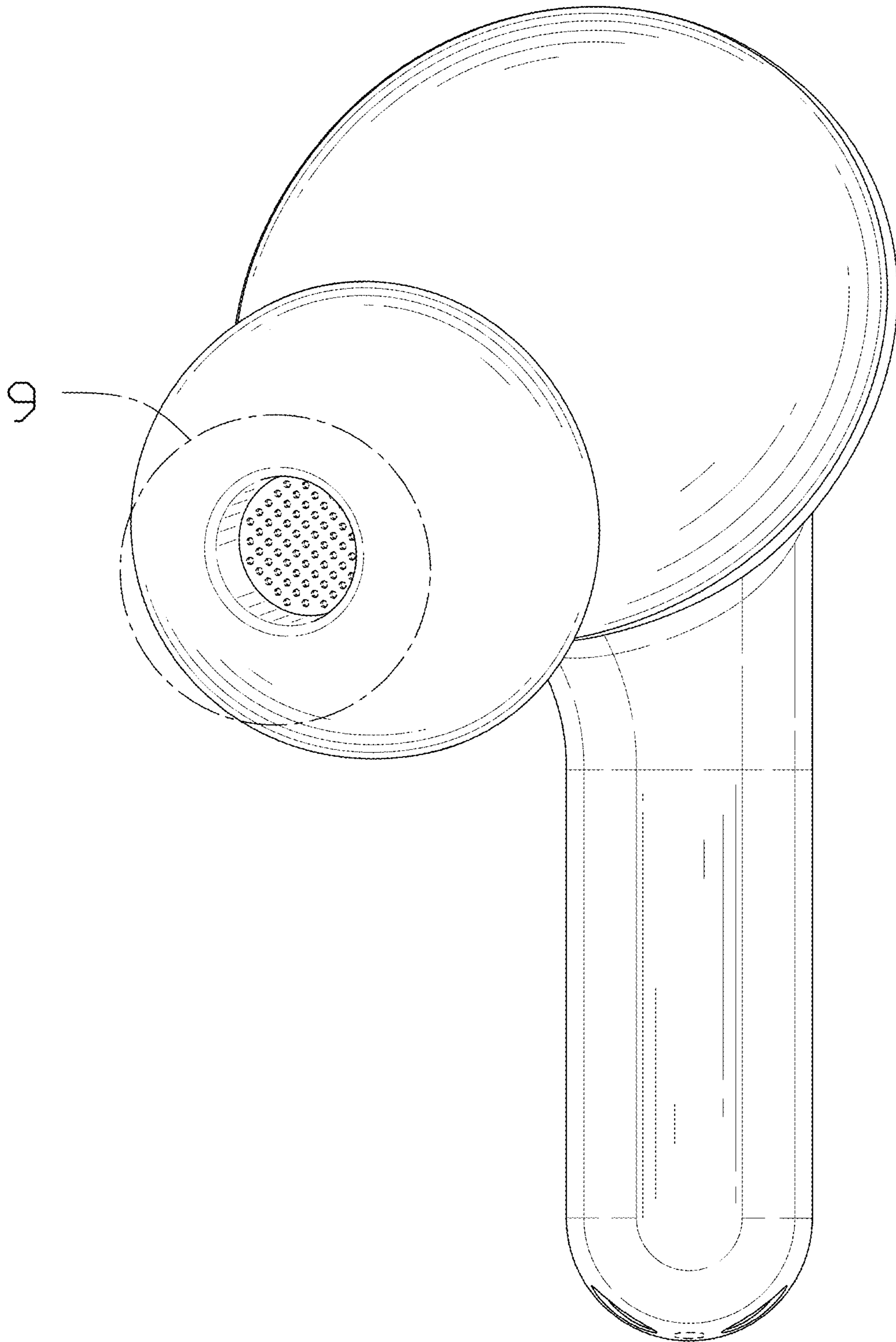


FIG. 2

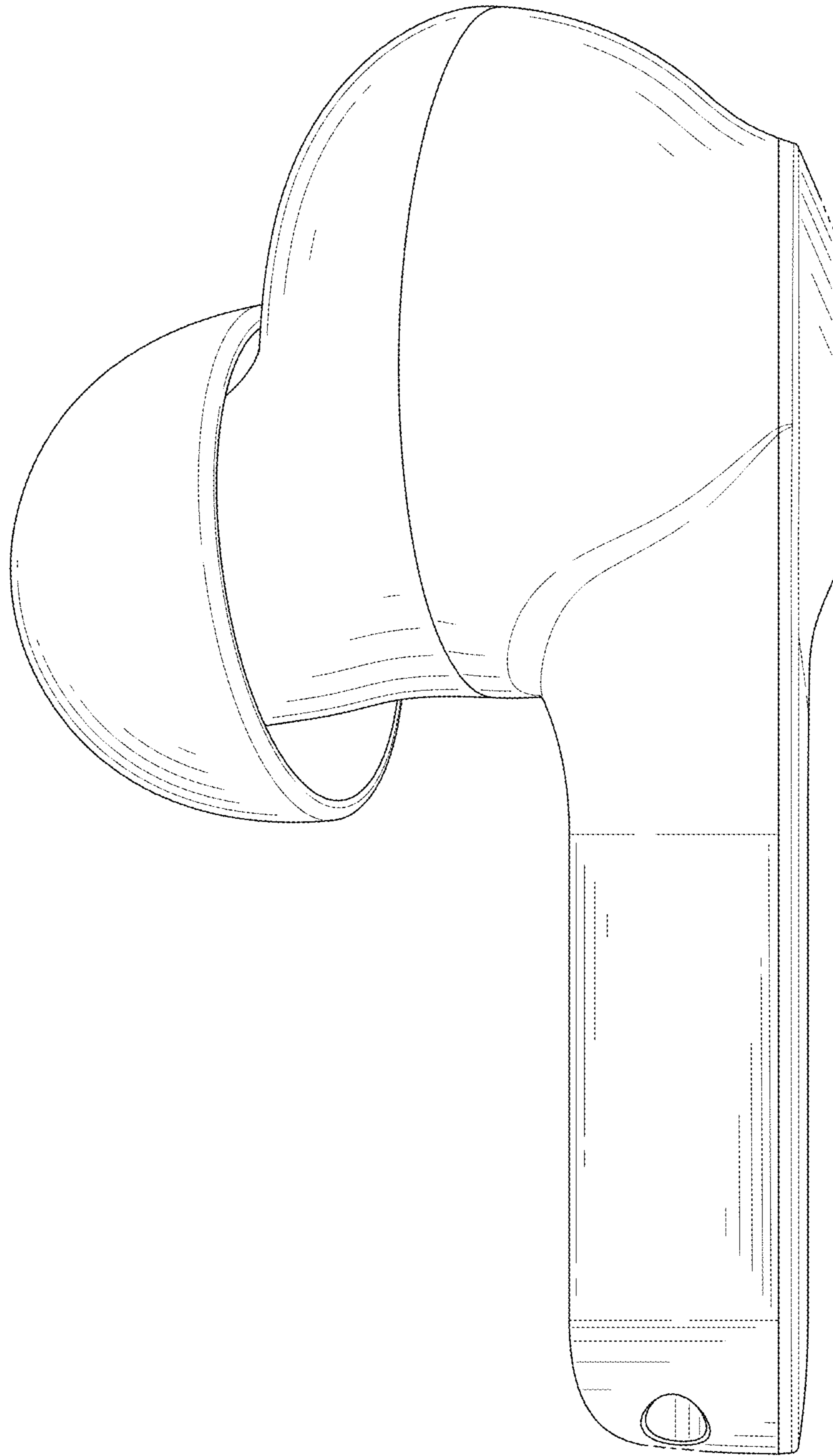


FIG. 3

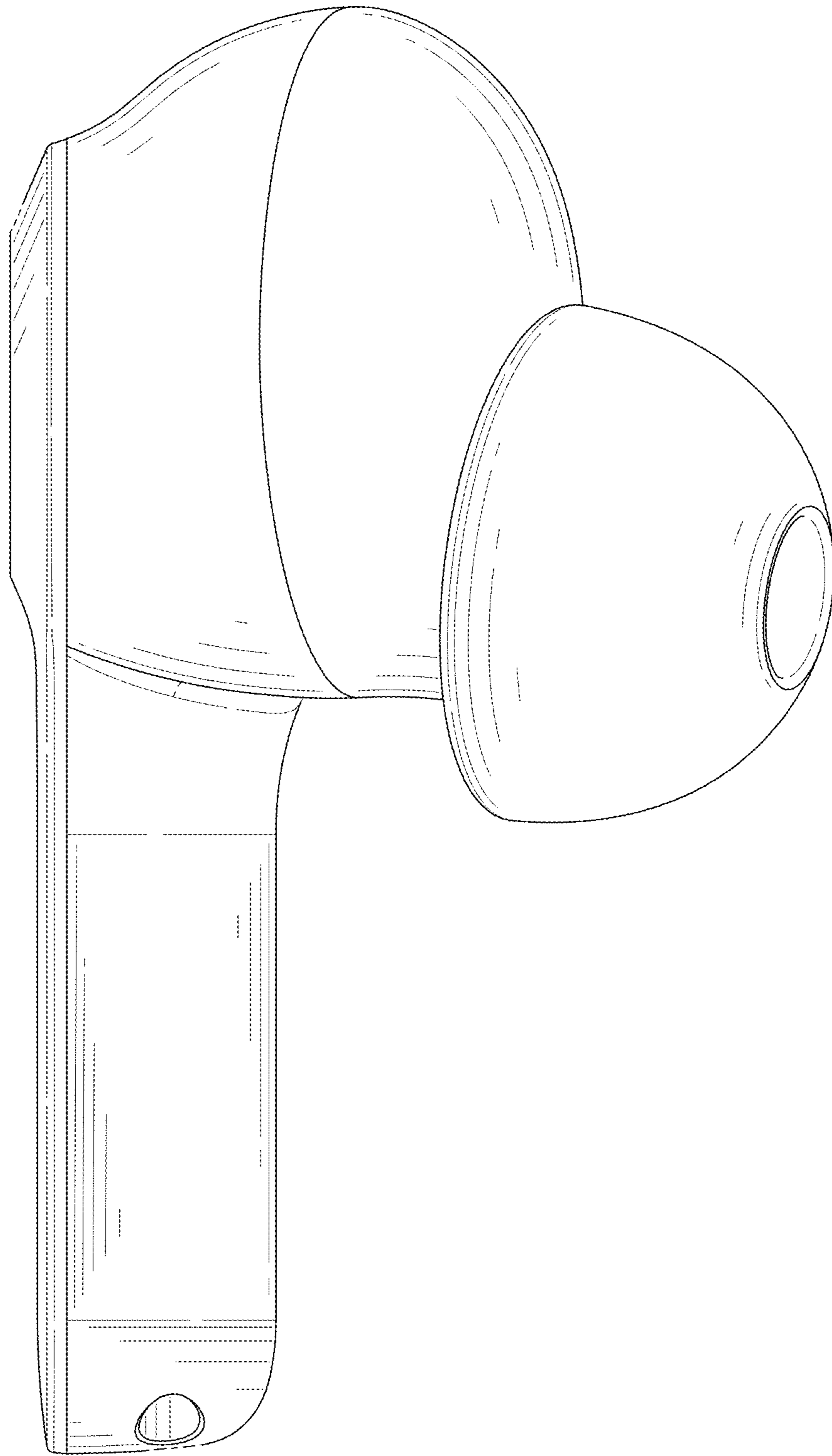


FIG. 4

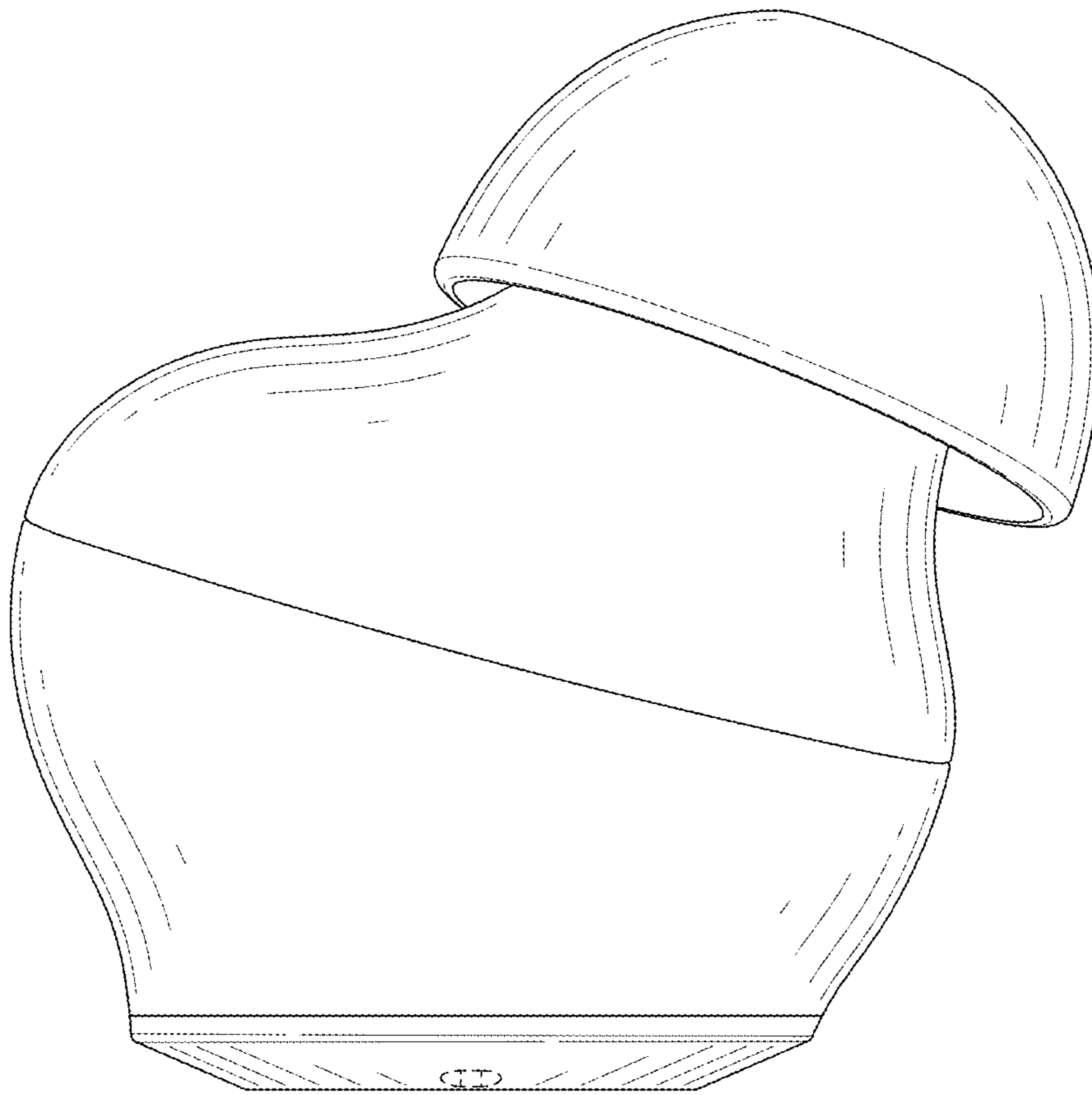


FIG. 5

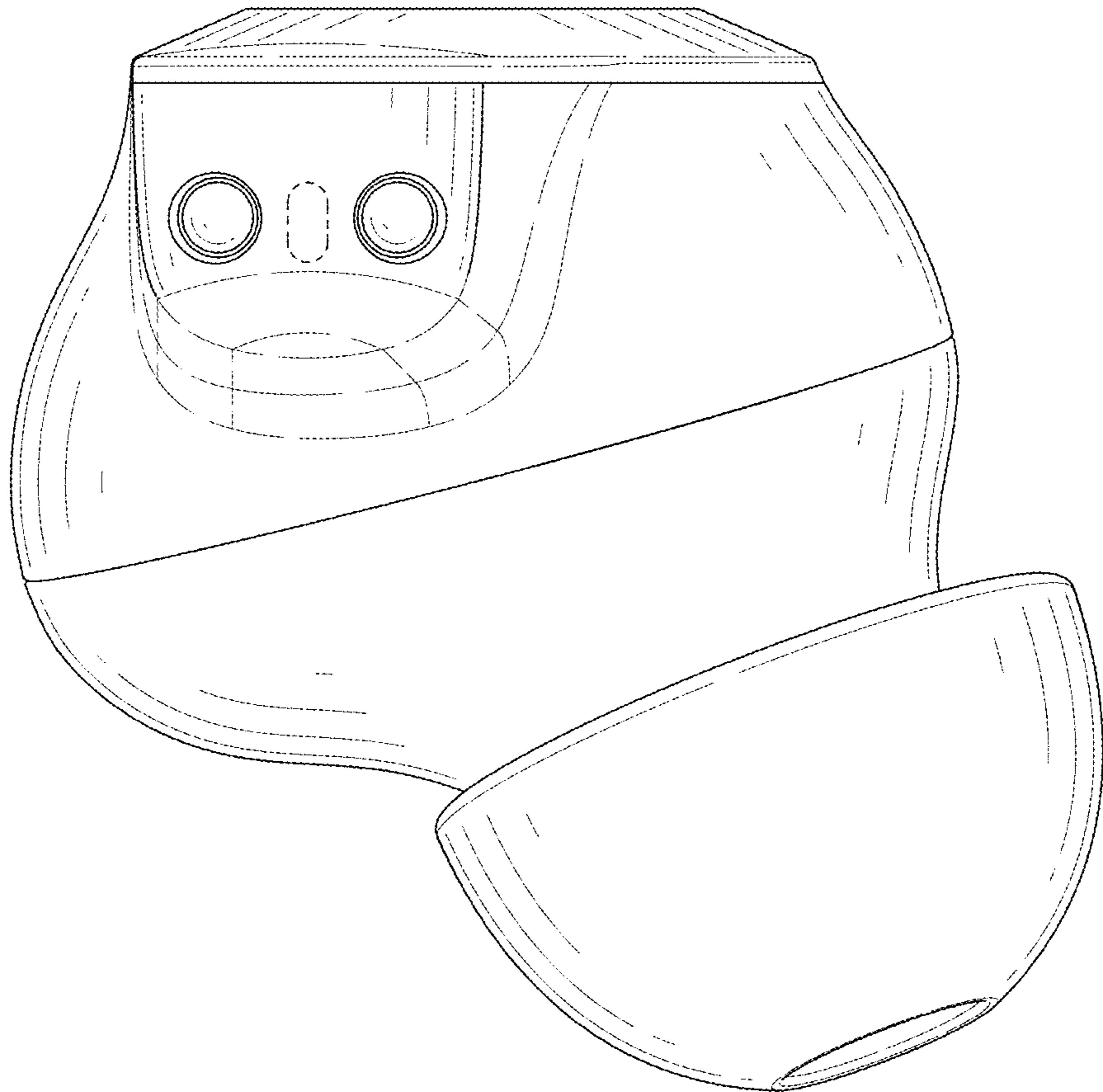


FIG. 6

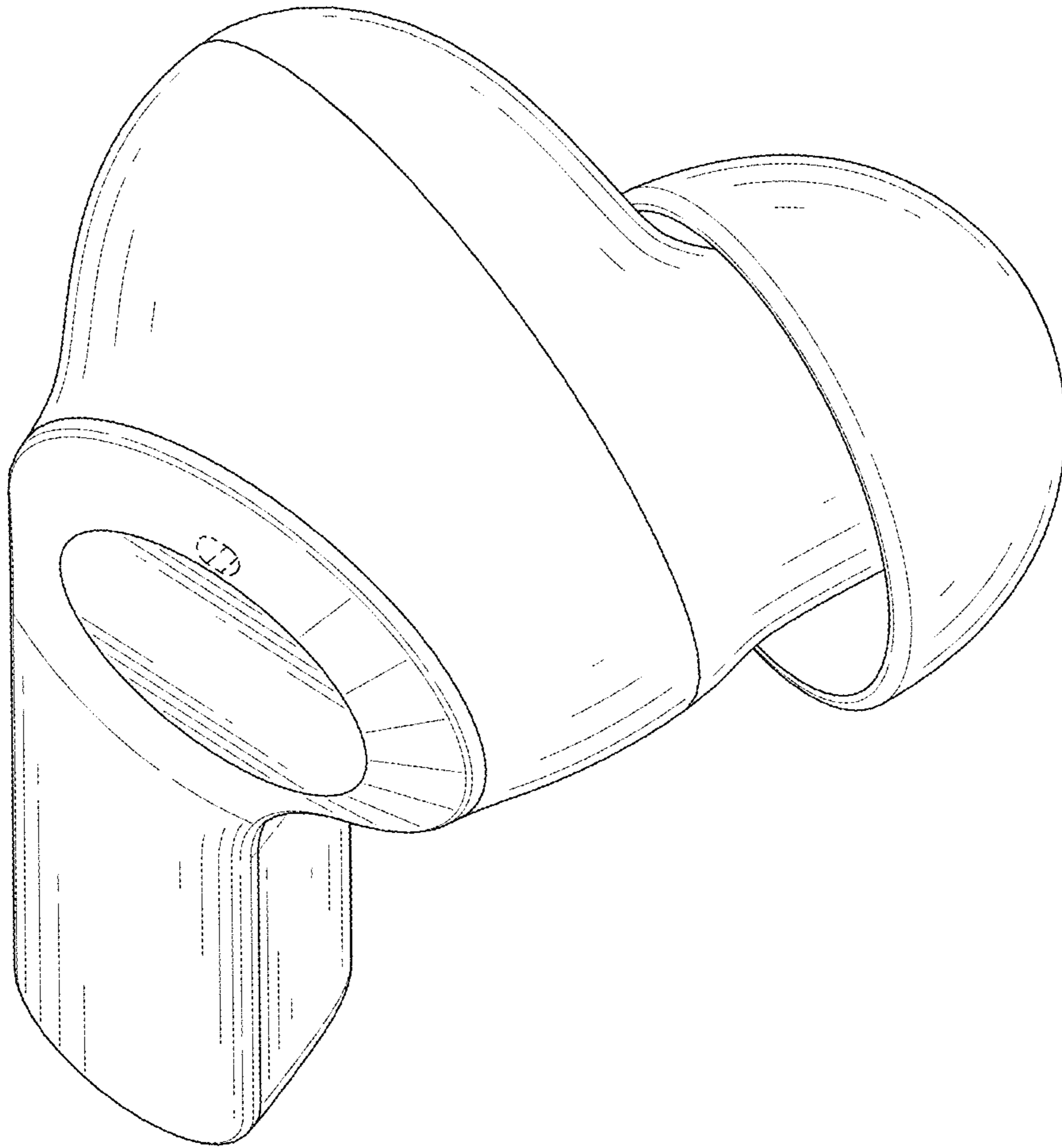


FIG. 7

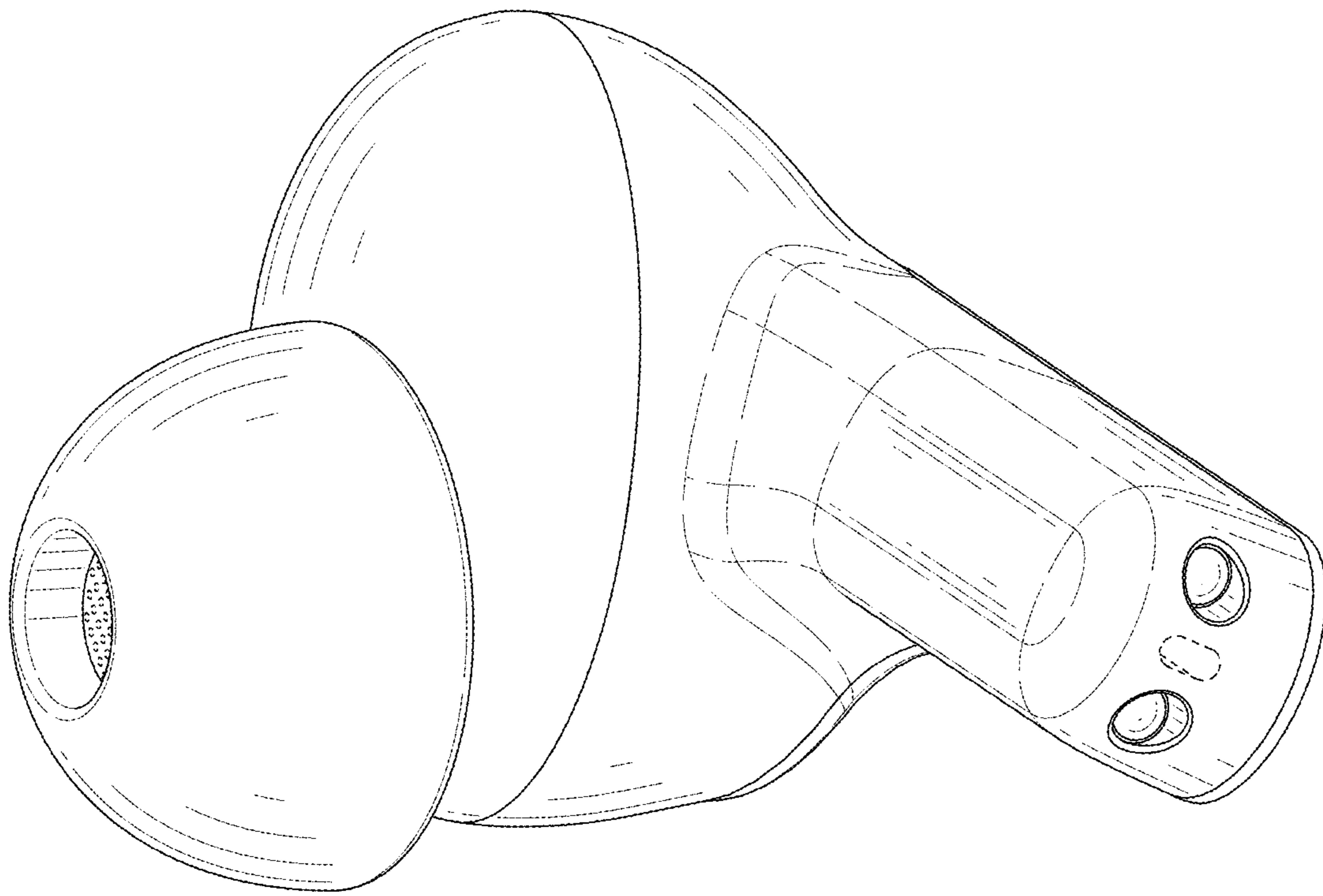


FIG. 8

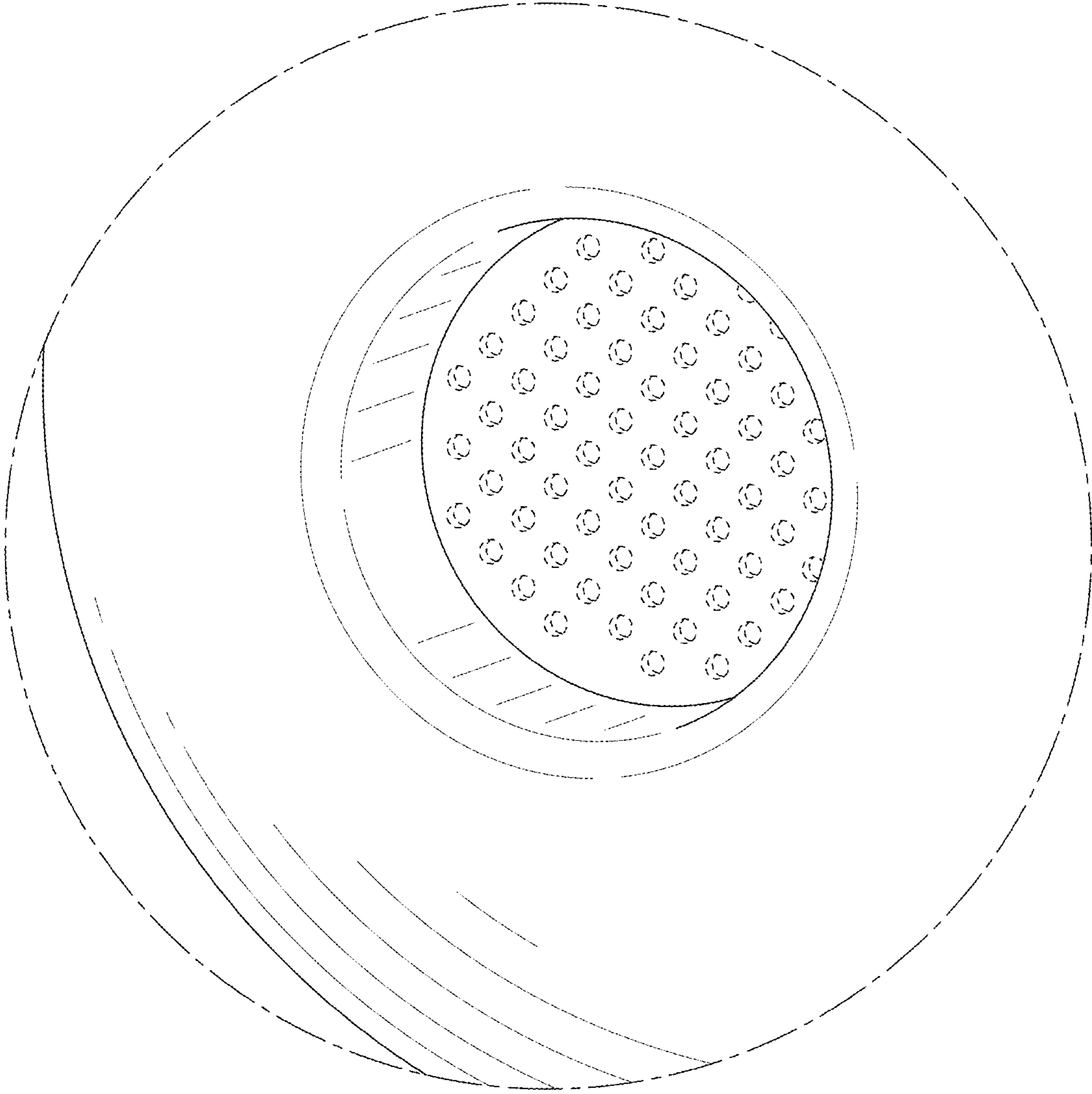


FIG. 9

UNITED STATES PATENT AND TRADEMARK OFFICE
CERTIFICATE OF CORRECTION

PATENT NO. : D887,396 S
APPLICATION NO. : 29/710427
DATED : June 16, 2020
INVENTOR(S) : Zili Wang, Zhigang Deng and Fangfang Lan

Page 1 of 1

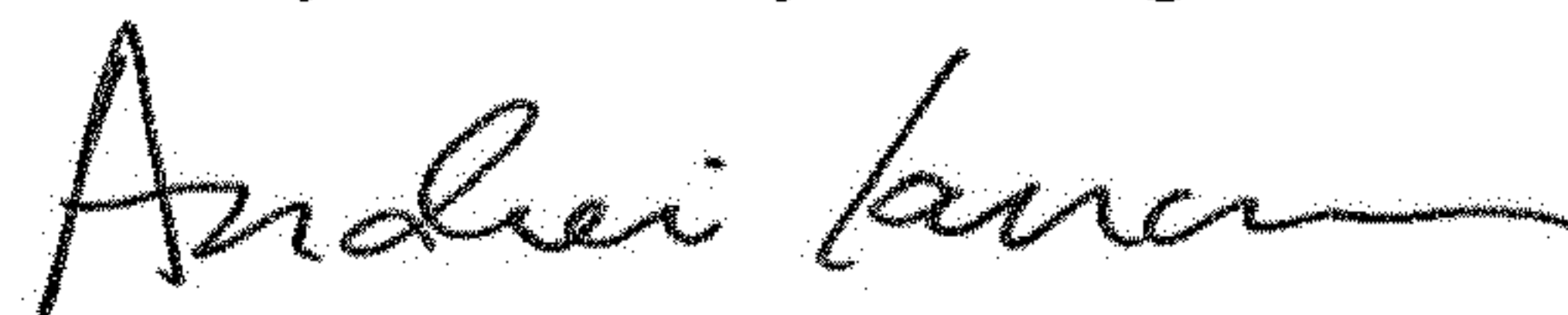
It is certified that error appears in the above-identified patent and that said Letters Patent is hereby corrected as shown below:

On the Title Page

Column 1 Please add Item (30) regarding "Foreign Application Priority Data" with the following:

(30) Foreign Application Priority Data
Sept. 12, 2019 (CN).....201930505181.7

Signed and Sealed this
Twenty-fifth Day of August, 2020



Andrei Iancu
Director of the United States Patent and Trademark Office