



US00D887394S

(12) **United States Design Patent**  
**Zhang et al.**

(10) **Patent No.:** **US D887,394 S**  
(45) **Date of Patent:** **\*\* Jun. 16, 2020**

- (54) **EARPHONE**
- (71) Applicant: **Dongguan UiiSii Electronics Co., Ltd**,  
Dongguan, Guangdong (CN)
- (72) Inventors: **Chunyan Zhang**, Guangdong (CN);  
**Xinpeng Feng**, Guangdong (CN); **Wei Li**,  
Guangdong (CN); **Zhongda Chen**,  
Guangdong (CN)
- (73) Assignee: **Dongguan UiiSii Electronics Co., Ltd**,  
Dongguan (CN)

- (\*\*) Term: **15 Years**
- (21) Appl. No.: **29/659,763**
- (22) Filed: **Aug. 12, 2018**

(30) **Foreign Application Priority Data**

Jul. 10, 2018 (CN) ..... 2018 3 0368707

(51) **LOC (12) Cl.** ..... **14-01**

(52) **U.S. Cl.**  
USPC ..... **D14/223**

(58) **Field of Classification Search**  
USPC ... D14/205, 207, 209.1, 217, 218, 221, 223,  
D14/224, 224.1, 225; D24/173, 174, 106,  
D24/105  
CPC ..... H04R 1/00; H04R 1/10; H04R 1/1016;  
H04R 1/1066; H04R 1/105; H04R  
1/1033; H04R 1/1083; H04R 1/1091;  
H04R 5/033; H04R 5/0335; H04R 25/00  
See application file for complete search history.

(56) **References Cited**

**U.S. PATENT DOCUMENTS**

- D512,049 S \* 11/2005 Yang ..... D14/205
- D533,542 S \* 12/2006 Suzuki ..... D14/218
- D548,728 S \* 8/2007 Yoshiyama ..... D14/218
- D583,805 S \* 12/2008 Jaakkola ..... D14/223
- 8,175,315 B2 \* 5/2012 Tanaka ..... H04R 1/1016  
381/370

- D705,757 S \* 5/2014 Yashiro ..... H04R 1/10  
D14/223
- D796,475 S \* 9/2017 Wang ..... D14/205
- D817,309 S \* 5/2018 Czaniecki ..... D14/223
- D821,363 S \* 6/2018 Chen ..... D14/223
- D863,261 S \* 10/2019 Zhu ..... D14/223
- D870,708 S \* 12/2019 Lindenberger ..... D14/223
- D871,366 S \* 12/2019 Petersen ..... D14/205
- D872,051 S \* 1/2020 Murdock ..... D14/206
- D875,709 S \* 2/2020 Yuanfa ..... D14/205

(Continued)

**OTHER PUBLICATIONS**

Enjoy Superior Freedom and Comfort with Wired & Wireless Dual-driver Earphones, announced © 2020 [online], retrieved Feb. 26, 2020, retrieved from internet, [https://gizmodern.com/products/enjoy-superior-freedom-and-comfort-with-wired-wireless-dual-driver-earphones?utm\\_source=Google&utm\\_medium=Googlead&utm\\_campa.\\*](https://gizmodern.com/products/enjoy-superior-freedom-and-comfort-with-wired-wireless-dual-driver-earphones?utm_source=Google&utm_medium=Googlead&utm_campa.*)

(Continued)

*Primary Examiner* — Michelle E. Wilson

*Assistant Examiner* — Messina L Smith

(74) *Attorney, Agent, or Firm* — Wayne & Ken, LLC;  
Tony Hom

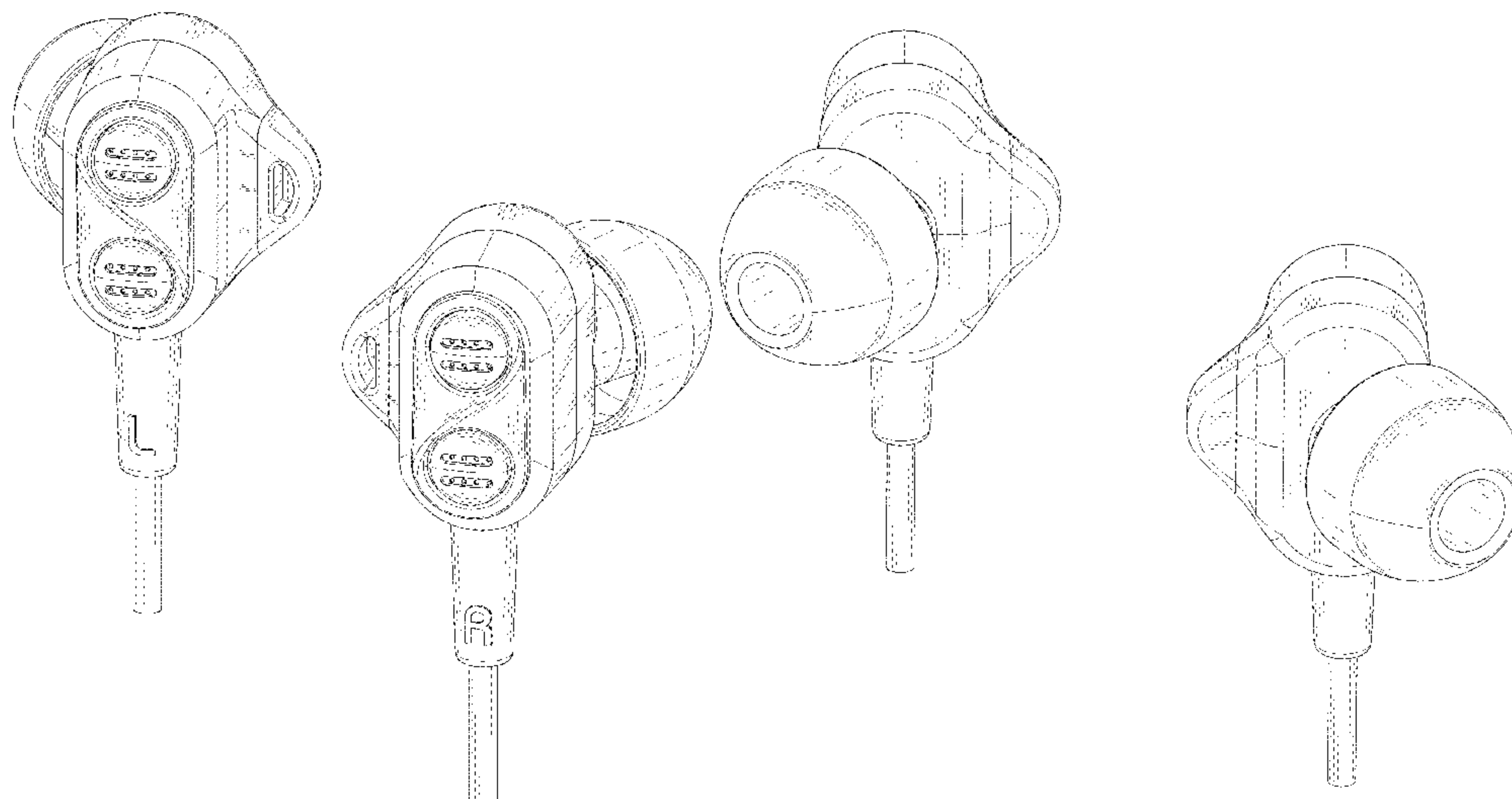
(57) **CLAIM**

The ornamental design for an earphone, as shown and described.

**DESCRIPTION**

FIG. 1 is a perspective view of an earphone showing our new design;  
FIG. 2 is another perspective view thereof;  
FIG. 3 is a front elevation view thereof;  
FIG. 4 is a back elevation view thereof;  
FIG. 5 is a left side view thereof;  
FIG. 6 is a right side view thereof;  
FIG. 7 is a top plan view thereof; and,  
FIG. 8 is a bottom plan view thereof.

**1 Claim, 8 Drawing Sheets**



(56)

**References Cited**

U.S. PATENT DOCUMENTS

D875,713 S \* 2/2020 Kim ..... D14/205  
2016/0037248 A1\* 2/2016 Cheng ..... H04R 1/105  
381/74  
2017/0026738 A1\* 1/2017 Tang ..... H04R 1/1058  
2017/0195770 A1\* 7/2017 Cheney ..... H04R 1/1025  
2018/0026778 A1\* 1/2018 Jo ..... G06F 1/04  
348/80  
2019/0014403 A1\* 1/2019 Lee ..... H04R 1/1025  
2019/0182575 A1\* 6/2019 Julstrom ..... H04R 1/1083

OTHER PUBLICATIONS

HiFi Wired Earphone Dual-Dynamic Quad-core Speaker In-ear earbuds, announced © 1995-2020 [online], retrieved Feb. 26, 2020, retrieved from internet, [https://www.ebay.com/i/362497882866?chn=ps&var=631658157161&norover=1&mkevt=1&mkrid=711-117182-37290-0&mkcid=2&itemid=631658157161\\_362497882866&targetid=8730567318](https://www.ebay.com/i/362497882866?chn=ps&var=631658157161&norover=1&mkevt=1&mkrid=711-117182-37290-0&mkcid=2&itemid=631658157161_362497882866&targetid=8730567318).\*

\* cited by examiner



FIG. 1

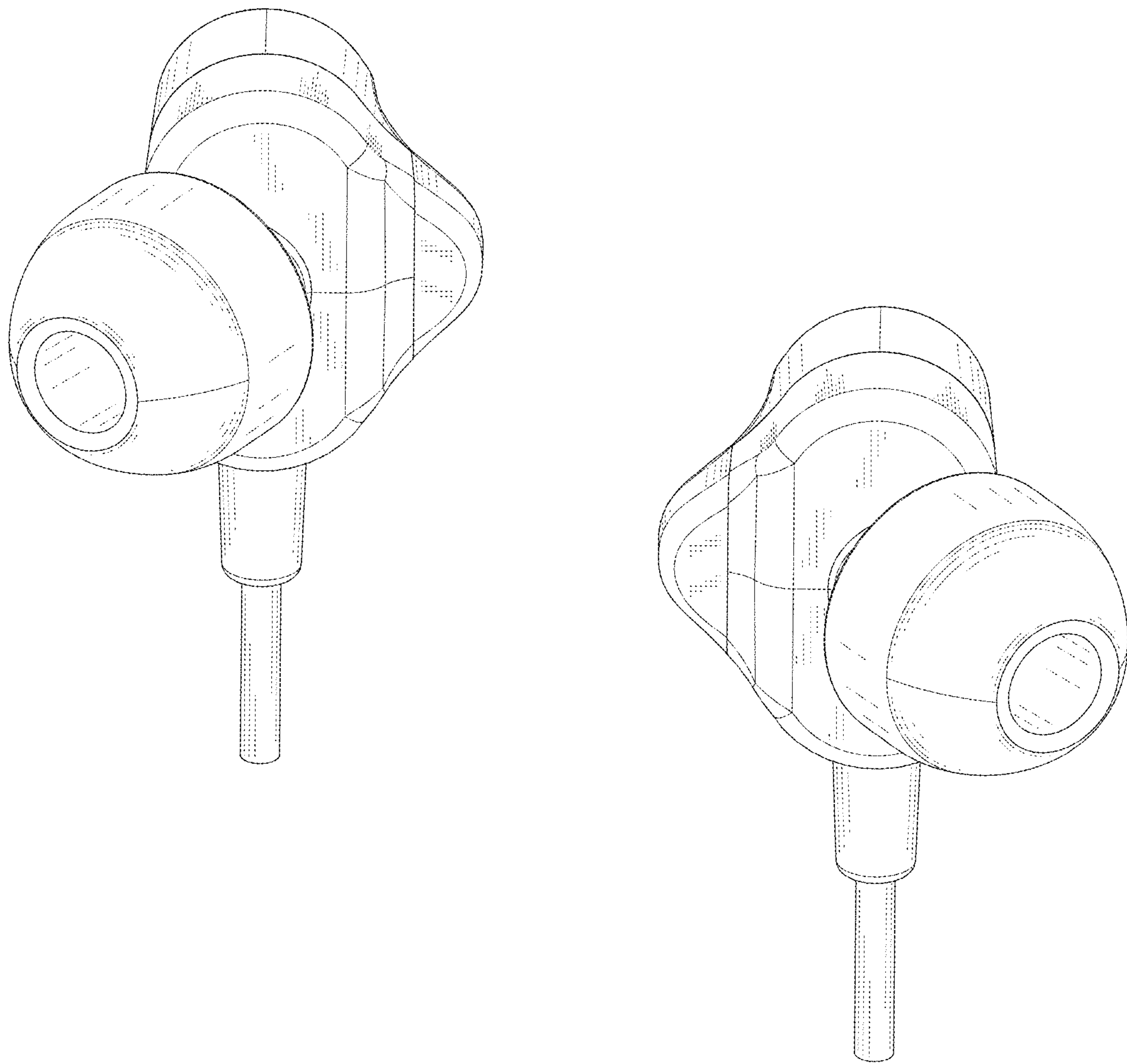


FIG. 2



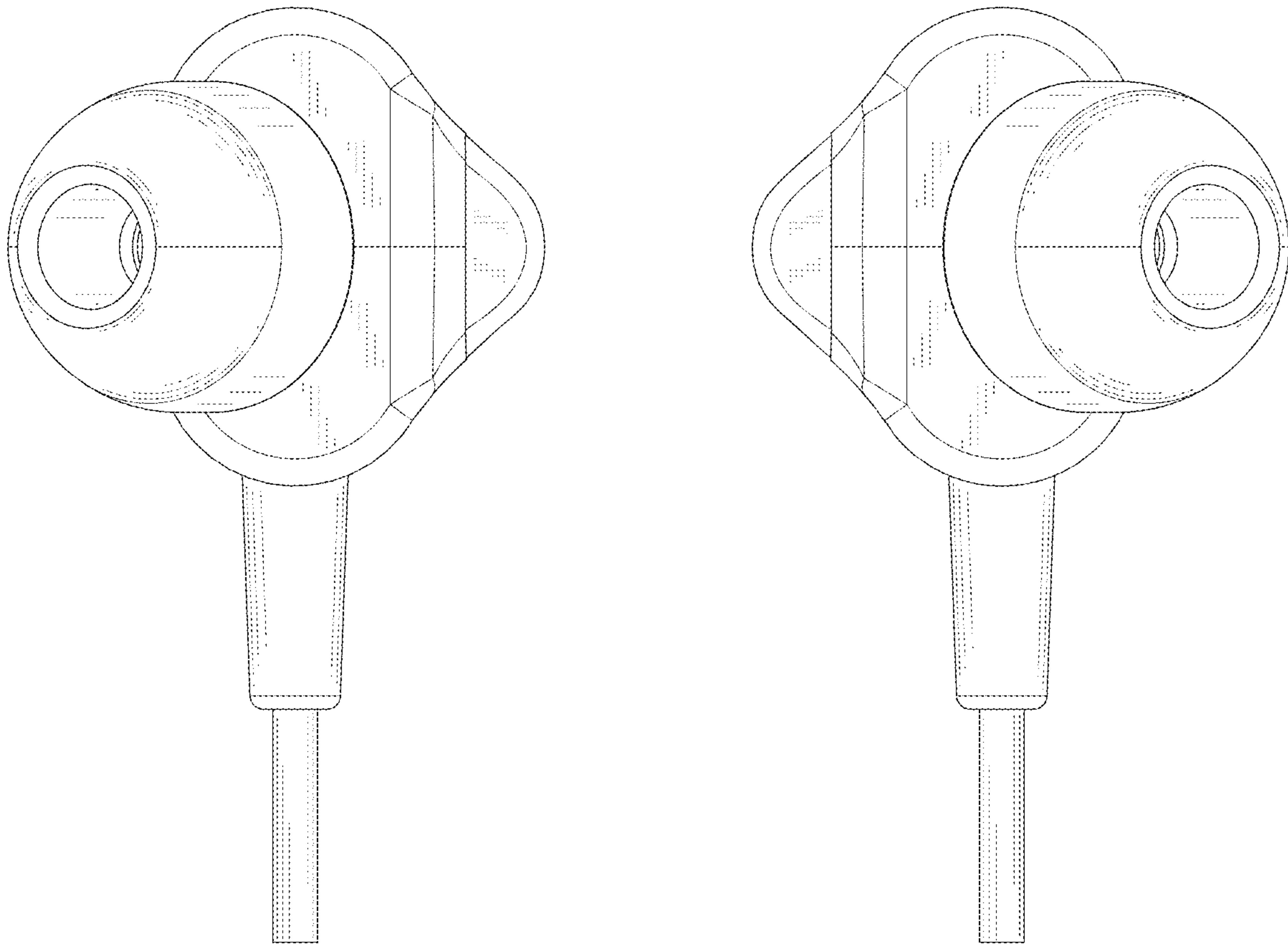


FIG. 3



FIG. 4

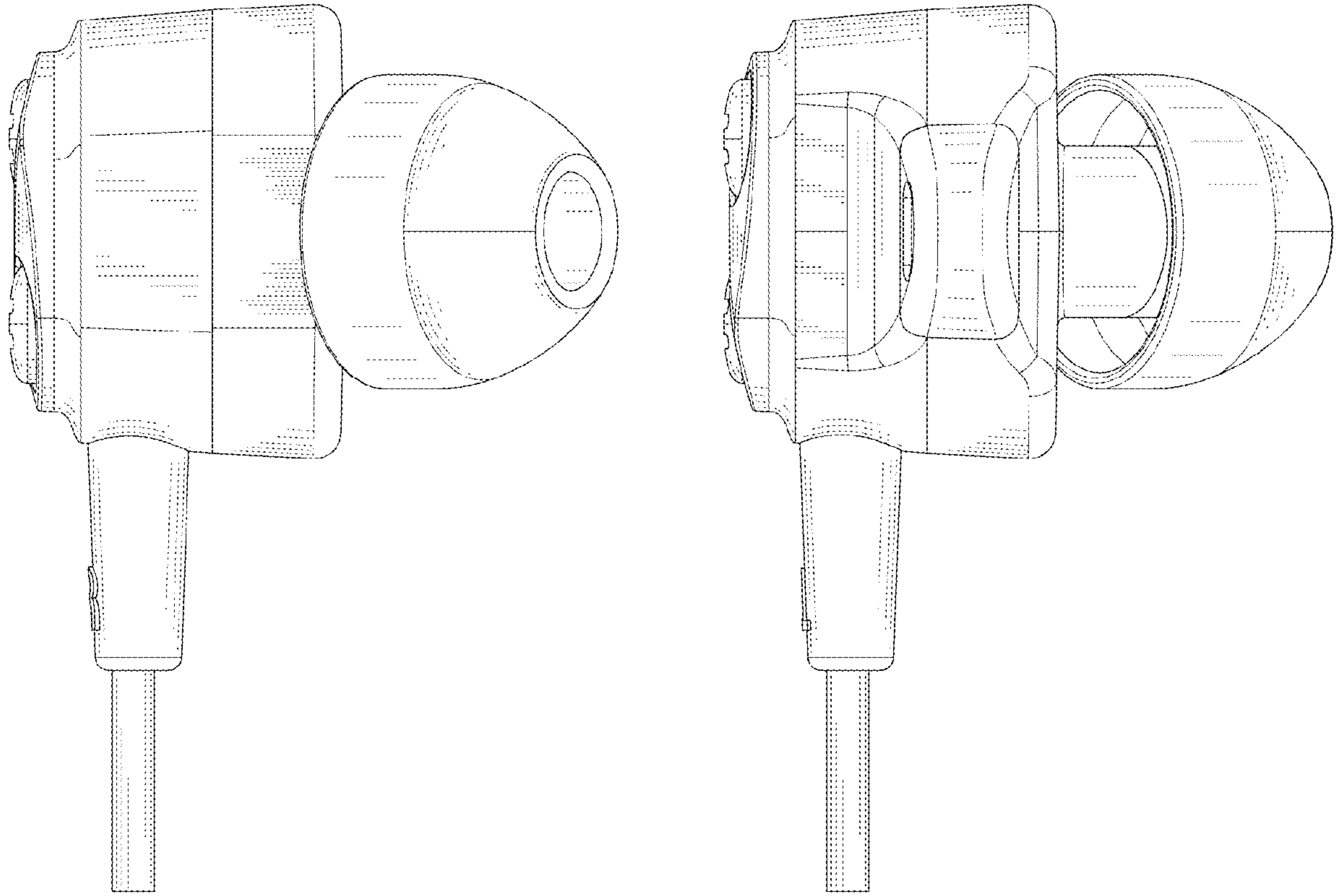


FIG. 5

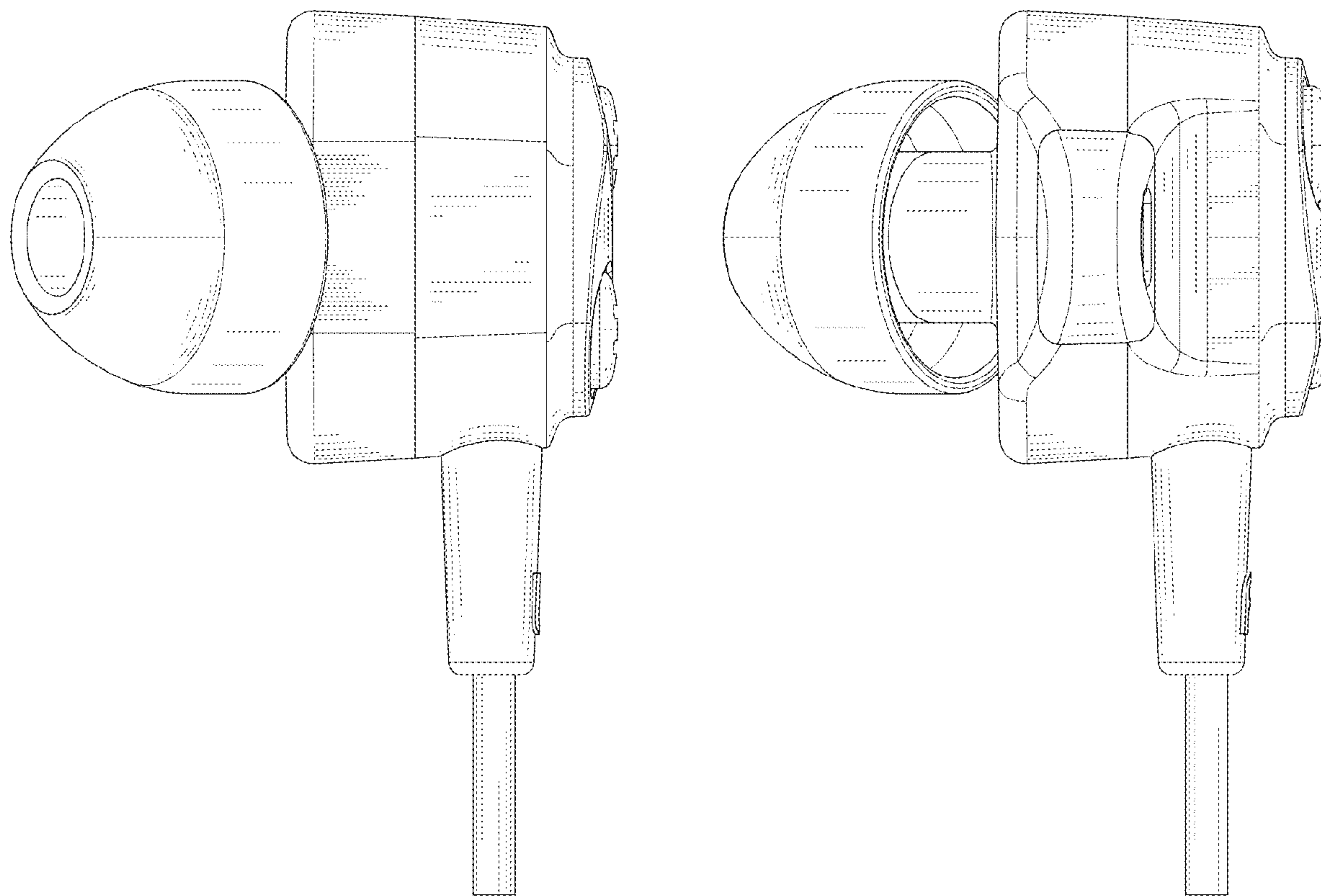


FIG. 6



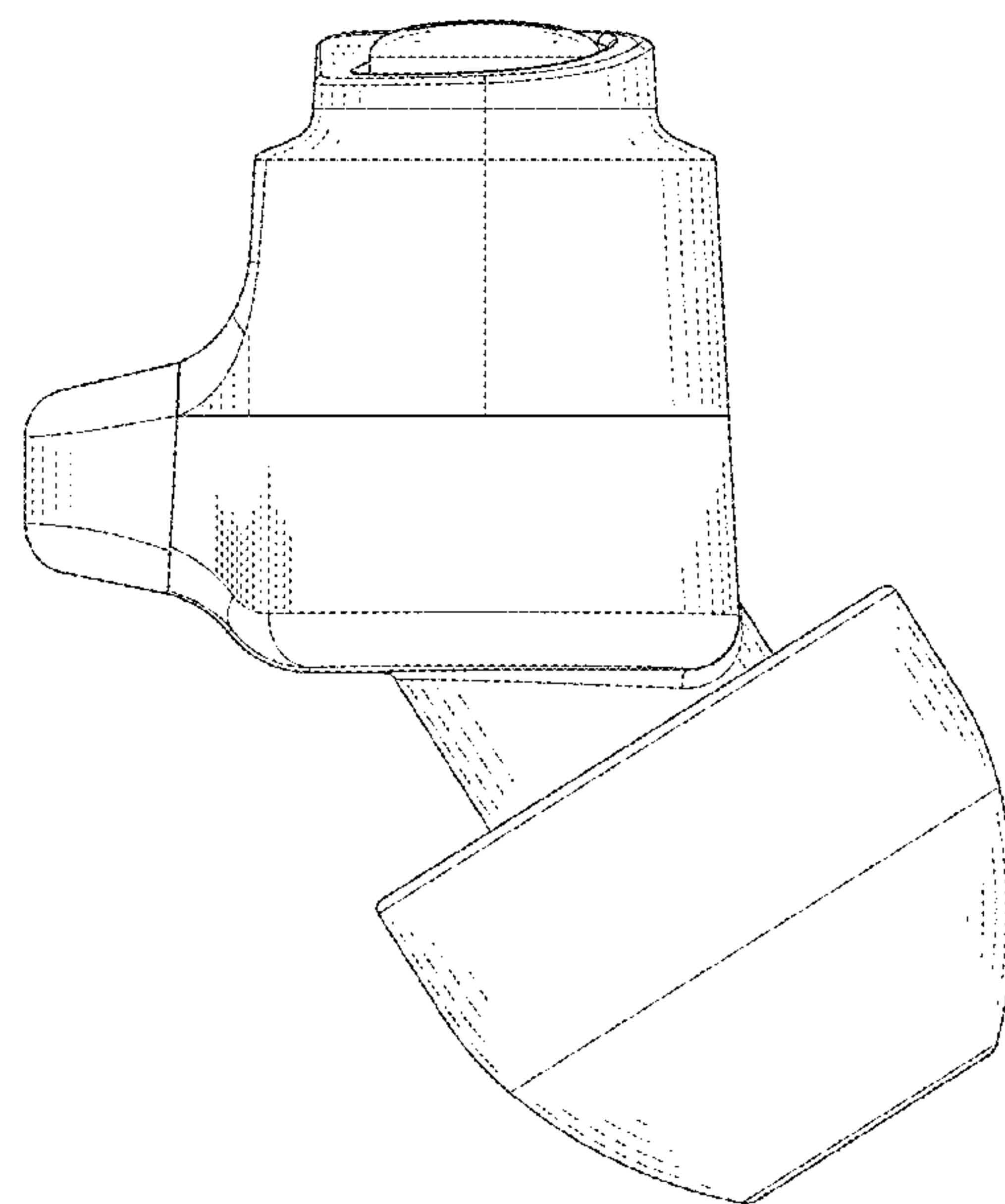
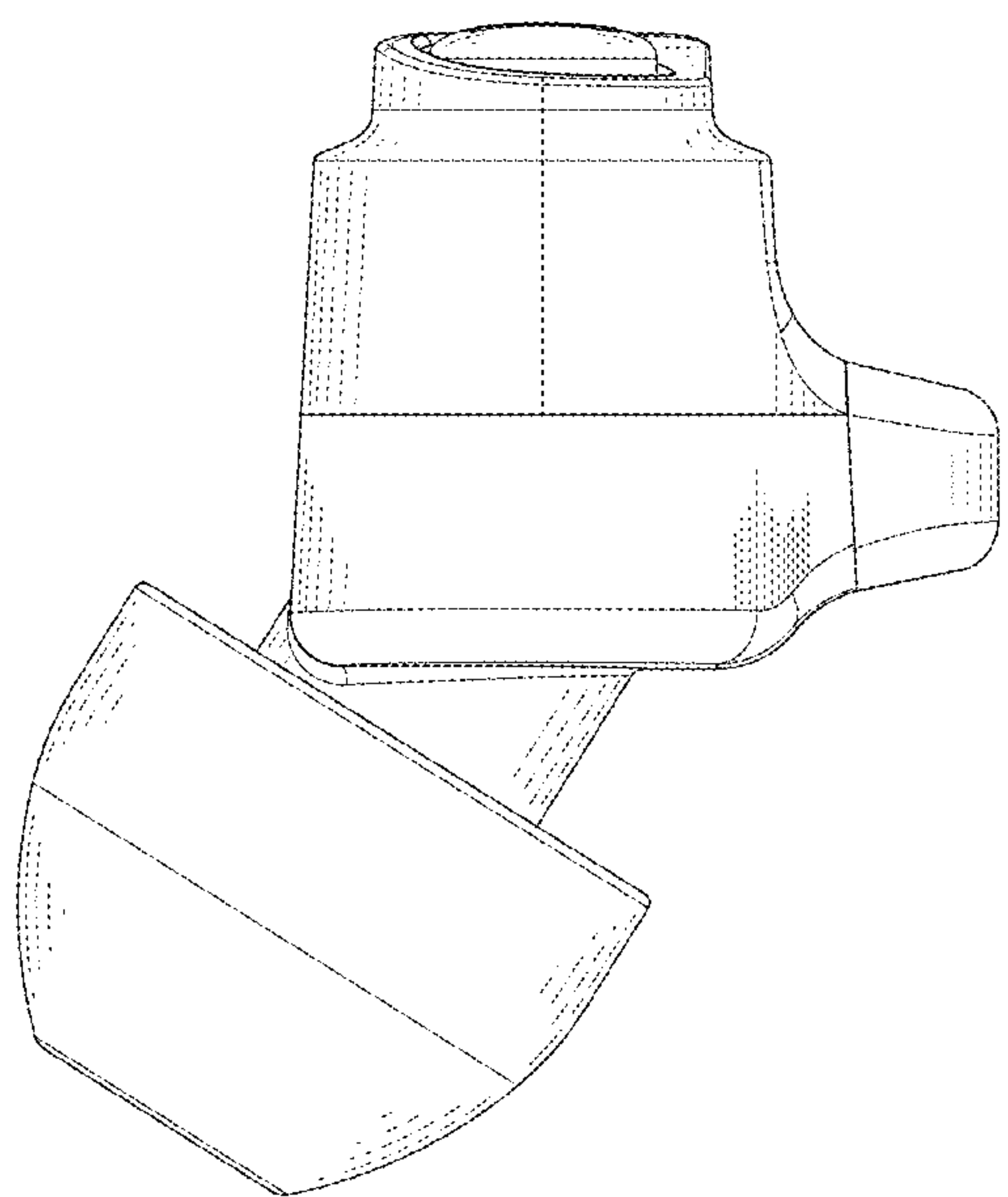


FIG. 7

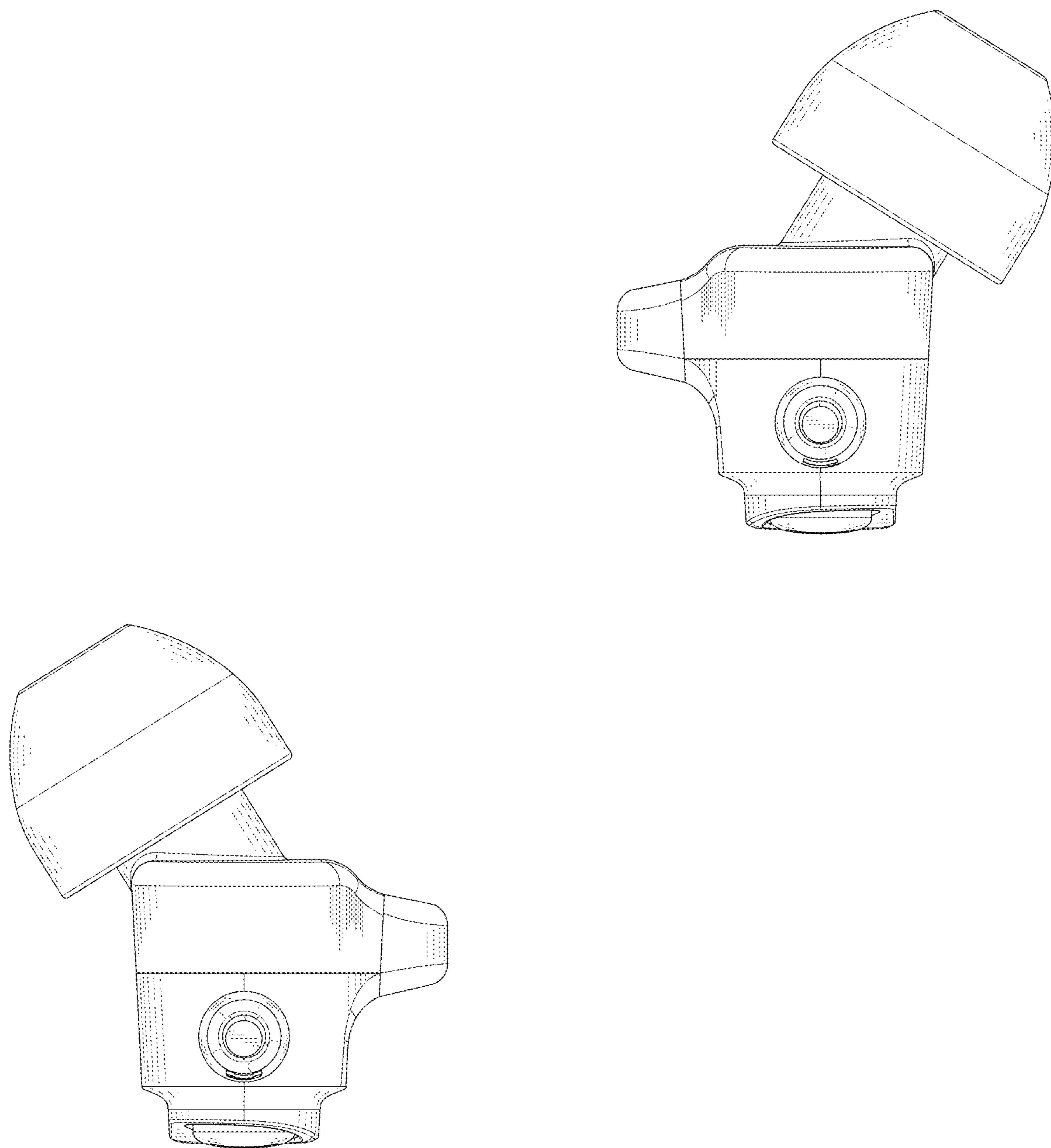


FIG. 8