



US00D887393S

(12) **United States Design Patent**  
**Maier et al.**

(10) **Patent No.:** **US D887,393 S**  
(45) **Date of Patent:** **\*\* Jun. 16, 2020**

(54) **REMOTE CONTROL**

(71) Applicant: **fm marketing gmbh**, Neumarkt am Wallersee (AT)

(72) Inventors: **Ferdinand Maier**, Neumarkt am Wallersee (AT); **Erwin Weitgasser**, Salzburg (AT)

(73) Assignee: **FM Marketing GmbH**, Neumarkt am Wallersee (AT)

(\*\*) Term: **15 Years**

(21) Appl. No.: **29/671,511**

(22) Filed: **Nov. 28, 2018**

**Related U.S. Application Data**

(62) Division of application No. 35/503,513, filed on Jul. 25, 2017 (U.S. filing date under 35 U.S.C. 384), and having an international filing date of Jul. 25, 2017, now Pat. No. Des. 835,075.

(51) **LOC (12) Cl.** ..... **14-03**

(52) **U.S. Cl.**  
USPC ..... **D14/218**

(58) **Field of Classification Search**  
USPC ..... D13/168; D14/324–333, 512, 516, 517; D18/2.7  
CPC ..... H04N 5/44; H04L 17/02; G08C 19/12  
See application file for complete search history.

(56) **References Cited**

**U.S. PATENT DOCUMENTS**

D603,783 S \* 11/2009 Carlton ..... D12/501  
D647,887 S \* 11/2011 Dawson ..... D14/218  
D706,379 S \* 6/2014 Iannello ..... D22/108

D727,456 S \* 4/2015 Schefter ..... D22/108  
D735,831 S \* 8/2015 Faifer ..... D22/108  
D803,815 S \* 11/2017 Maier ..... D14/218  
D808,877 S \* 1/2018 Liu ..... D12/204  
D809,485 S \* 2/2018 McManigal ..... D14/218  
D818,457 S \* 5/2018 Paschke ..... D14/218

\* cited by examiner

*Primary Examiner* — Michael A. Pratt

(74) *Attorney, Agent, or Firm* — Stinson LLP

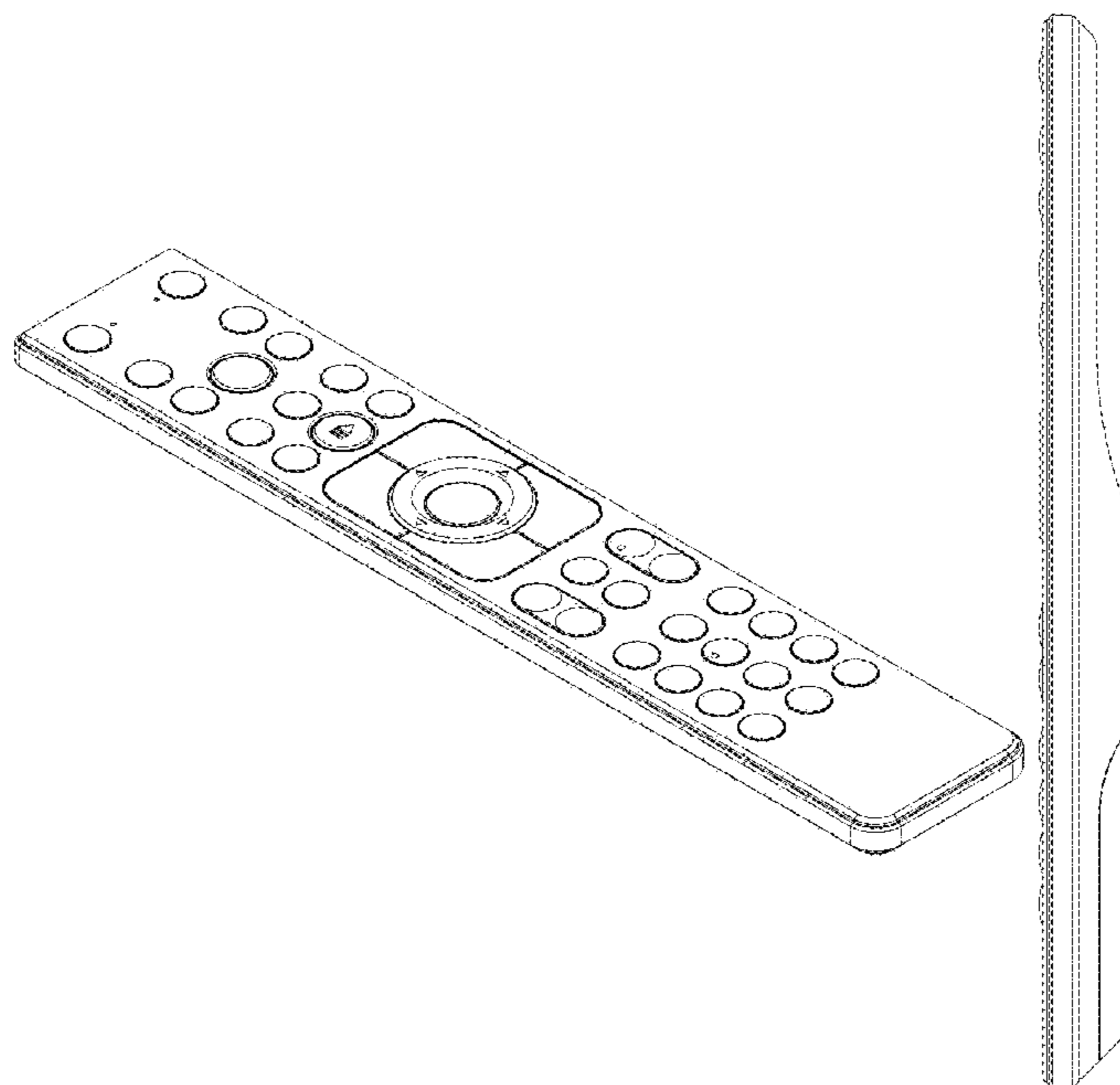
(57) **CLAIM**

The ornamental design for a remote control, as shown and described.

**DESCRIPTION**

FIG. 1 is a perspective of a first embodiment;  
FIG. 2 is a front elevation;  
FIG. 3 is a rear elevation;  
FIG. 4 is a right side elevation;  
FIG. 5 is a left side elevation;  
FIG. 6 is a top plan;  
FIG. 7 is a bottom plan;  
FIG. 8 is a perspective of a second embodiment;  
FIG. 9 is a front elevation;  
FIG. 10 is a rear elevation;  
FIG. 11 is a right side elevation;  
FIG. 12 is a left side elevation;  
FIG. 13 is a top plan;  
FIG. 14 is a bottom plan;  
FIG. 15 is a perspective of a third embodiment;  
FIG. 16 is a front elevation;  
FIG. 17 is a rear elevation;  
FIG. 18 is a right side elevation;  
FIG. 19 is a left side elevation;  
FIG. 20 is a top plan; and,  
FIG. 21 is a bottom plan.

**1 Claim, 18 Drawing Sheets**



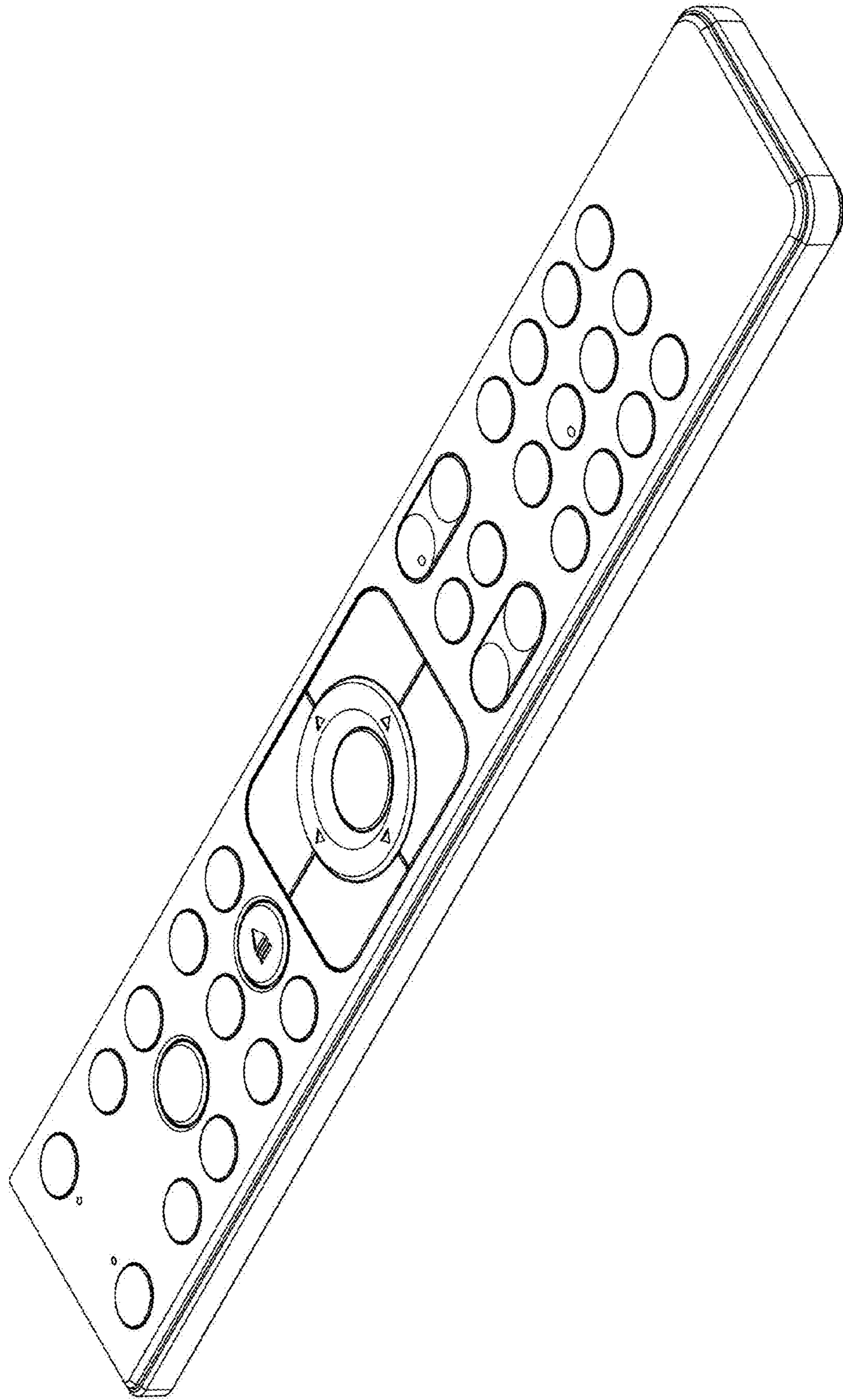


FIG. 1

FIG. 2

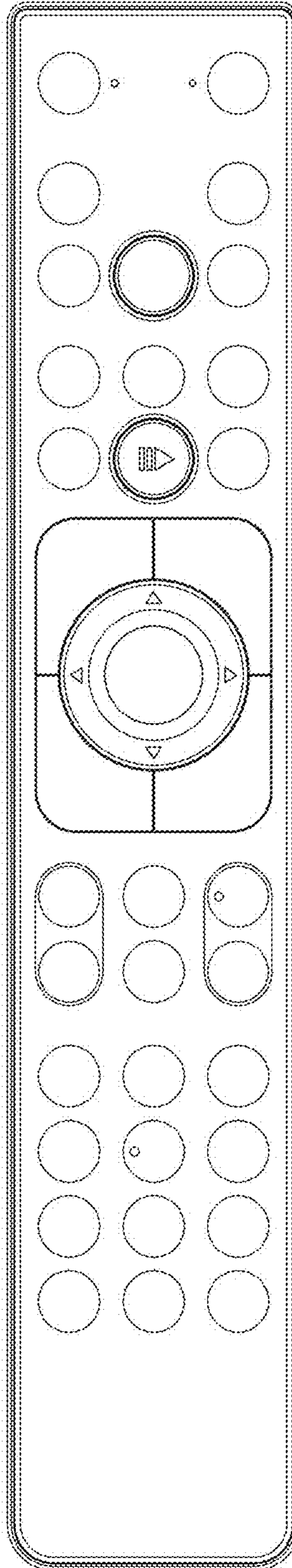


FIG. 3

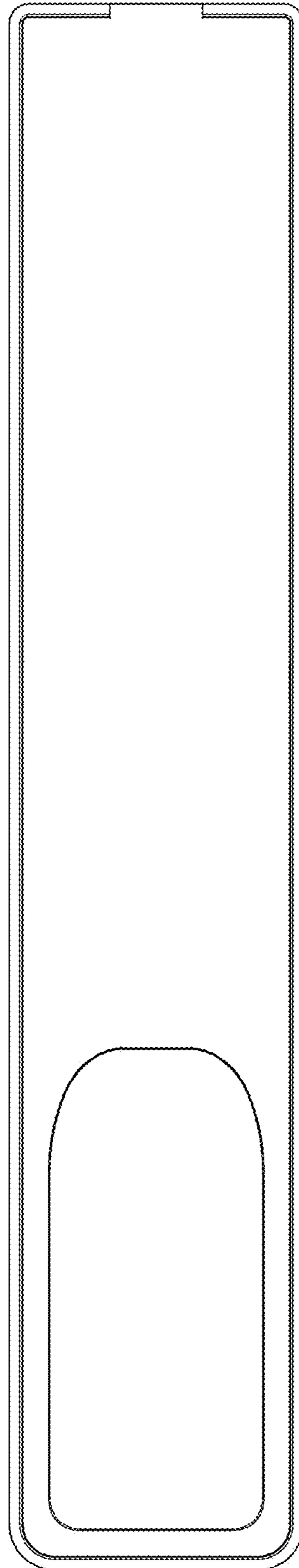


FIG. 4

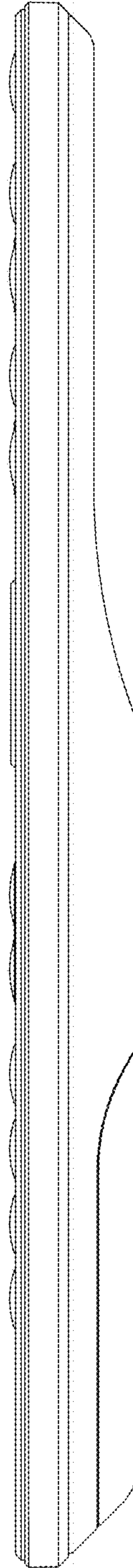


FIG. 5

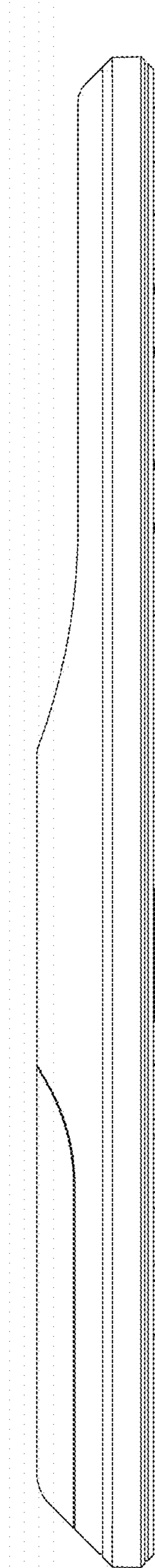


FIG. 6

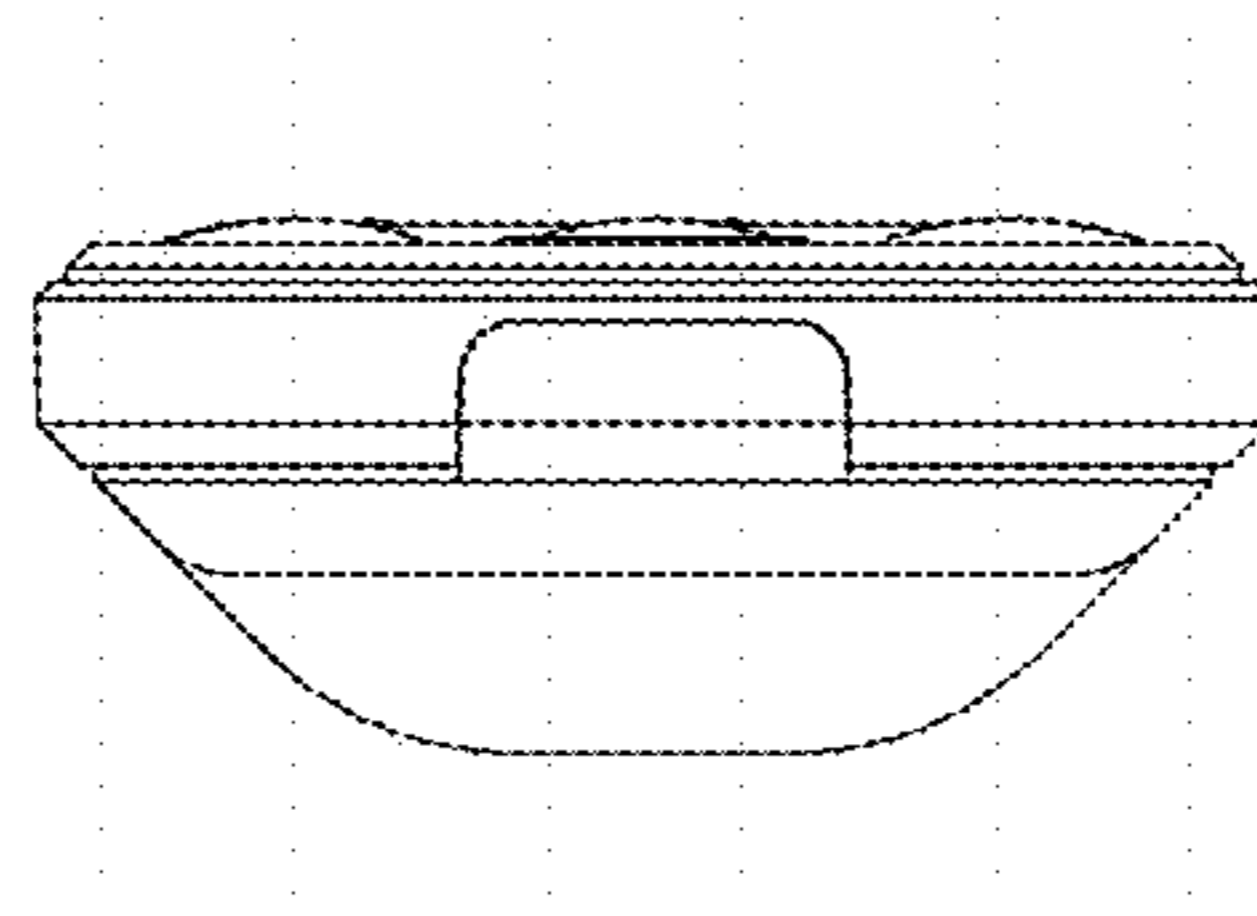


FIG. 7

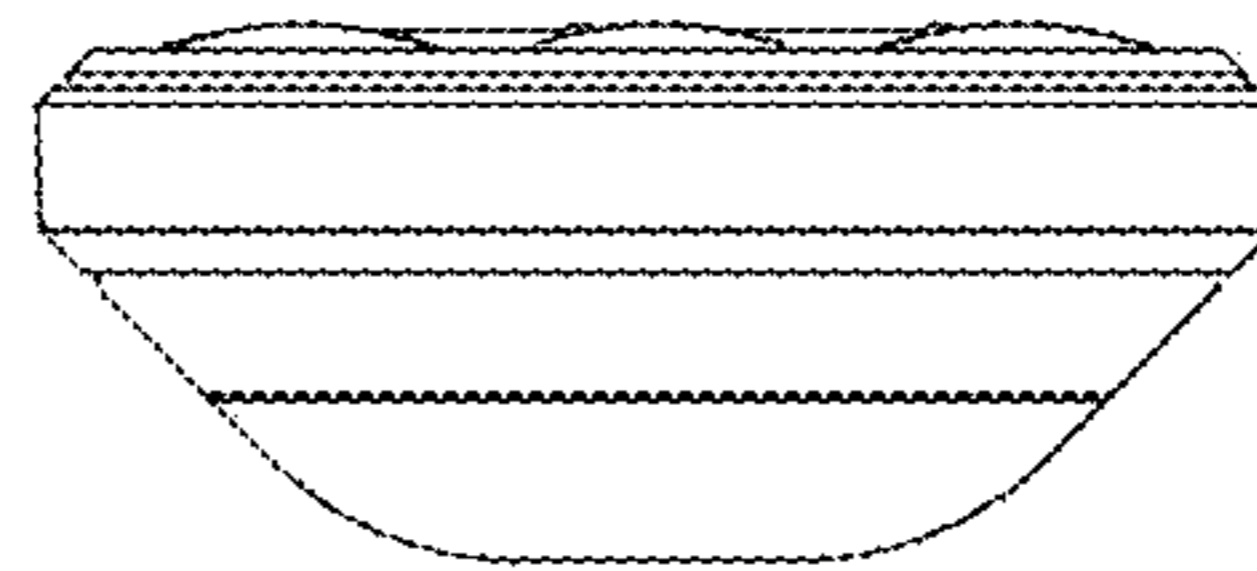


FIG. 8

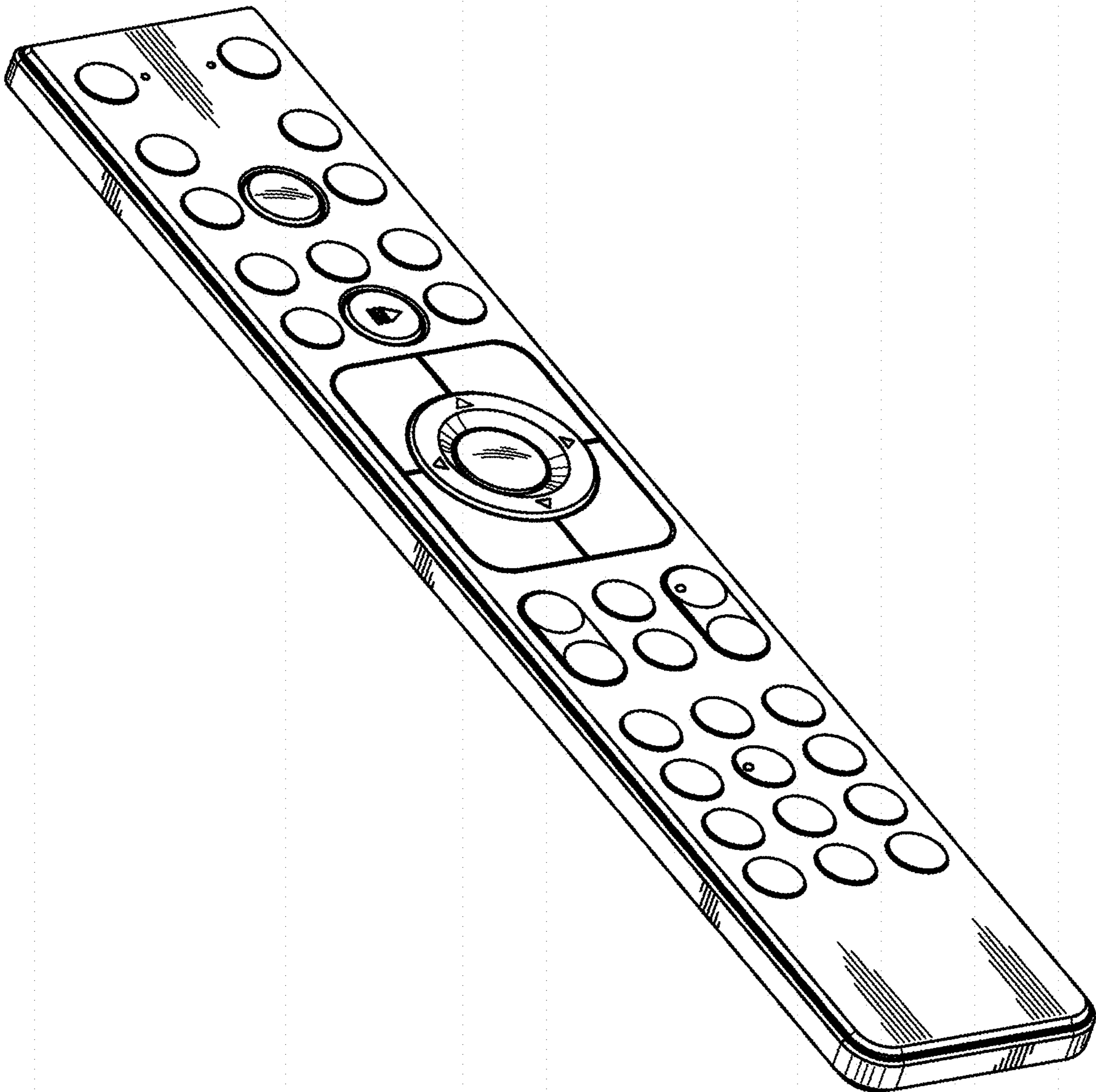




FIG. 9

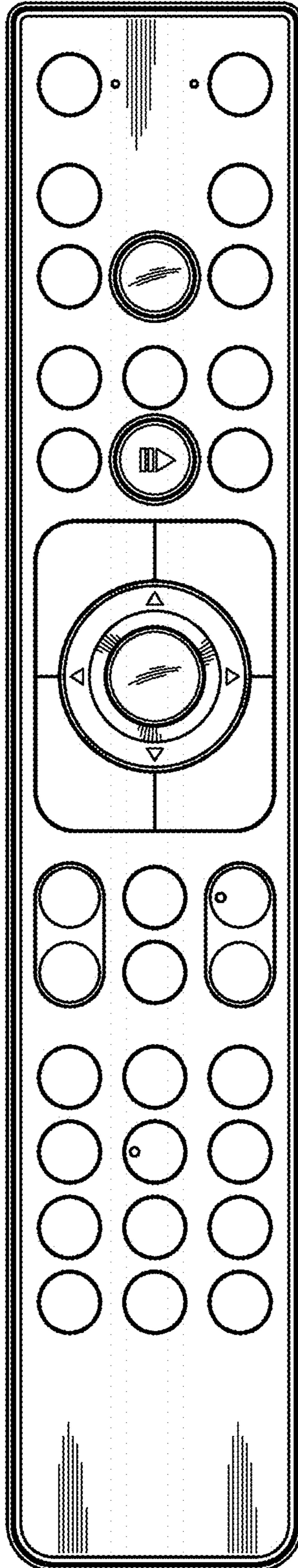


FIG. 10

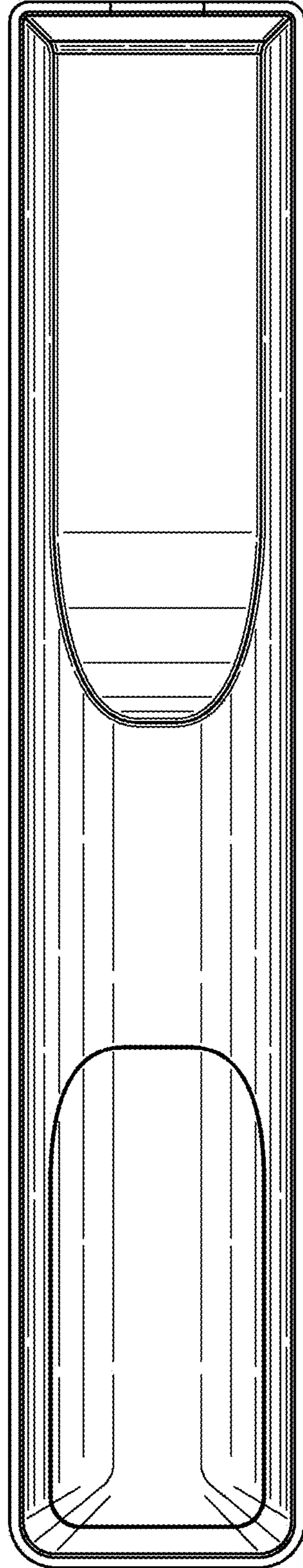


FIG. 11

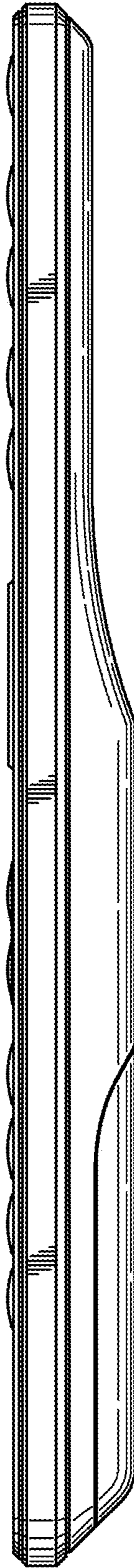


FIG. 12

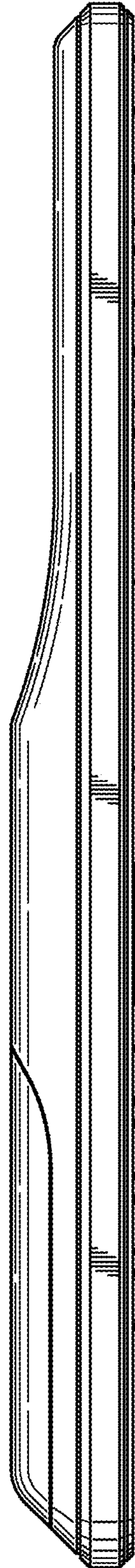


FIG. 13

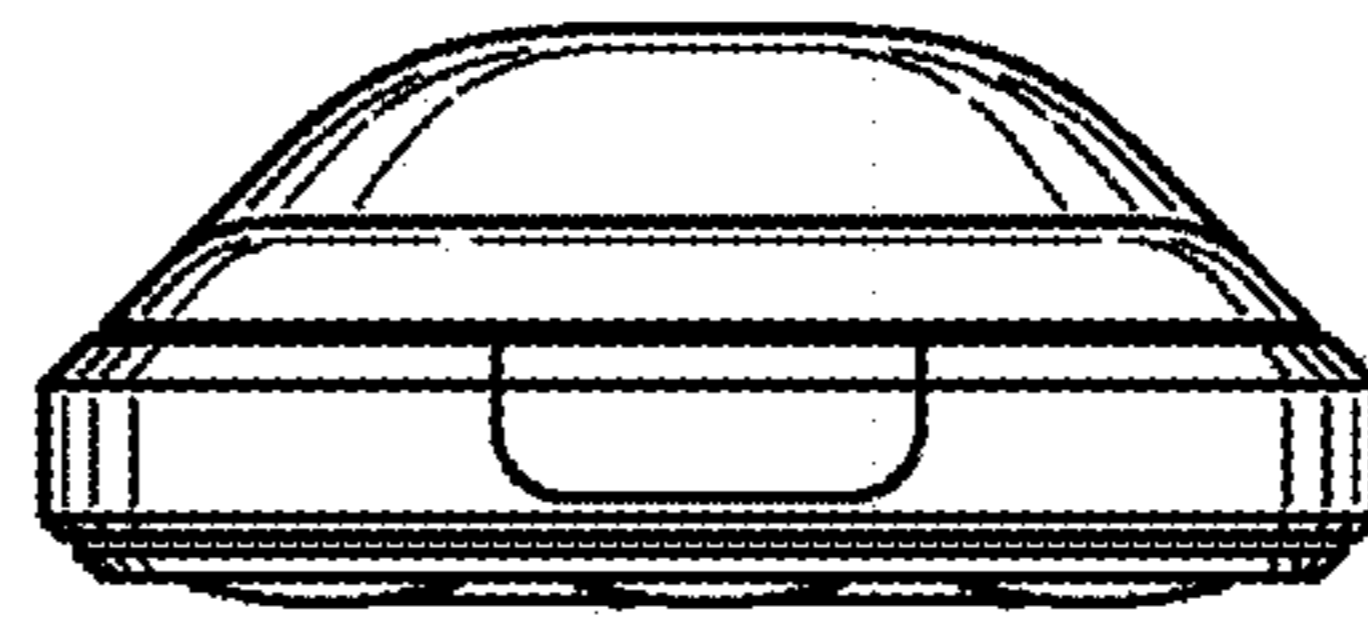


FIG. 14





FIG. 15

FIG. 16

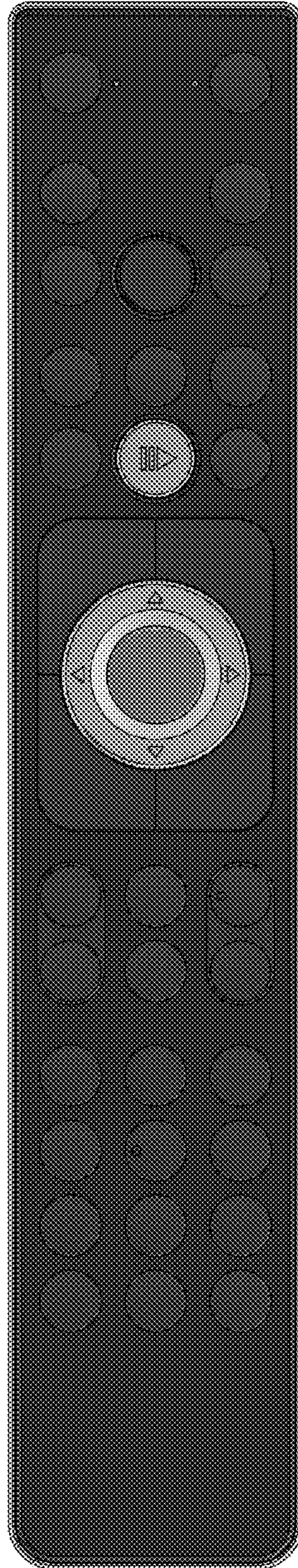


FIG. 17

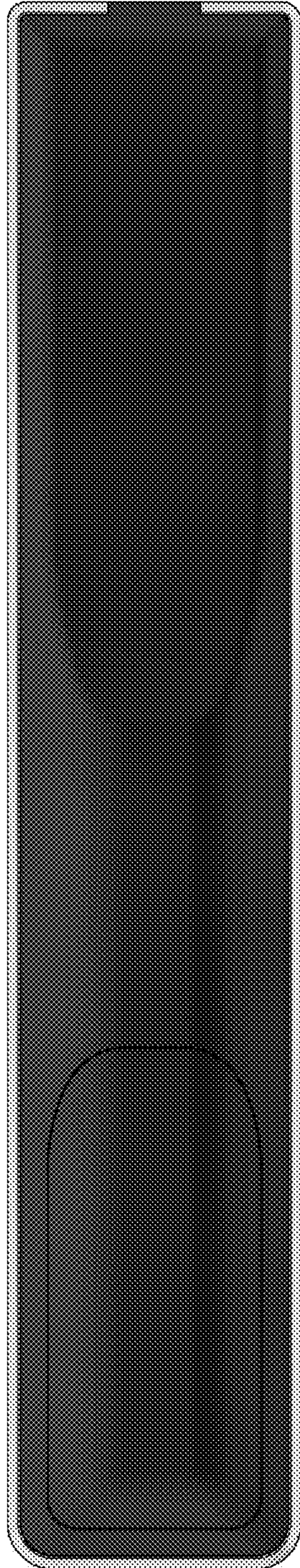




FIG. 18

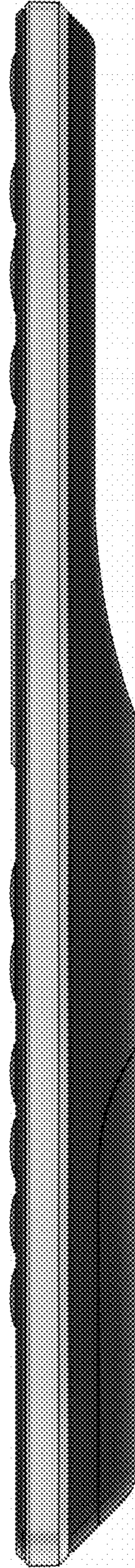


FIG. 19

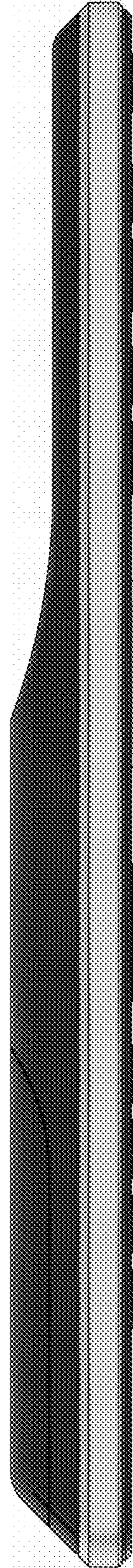


FIG. 20

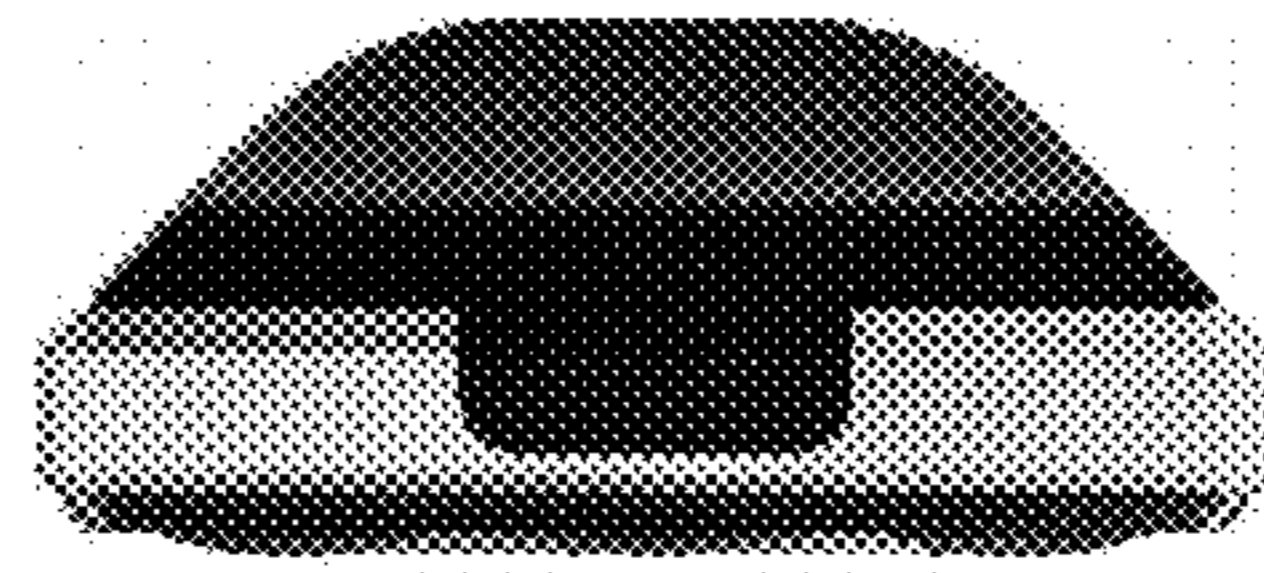


FIG. 21

