



US00D887389S

(12) **United States Design Patent**  
**Zhang**

(10) **Patent No.:** **US D887,389 S**

(45) **Date of Patent:** **\*\* Jun. 16, 2020**

(54) **COMBINED WIRELESS SPEAKER AND LAMP**

(71) Applicant: **Qifeng Zhang**, Guangdong (CN)

(72) Inventor: **Qifeng Zhang**, Guangdong (CN)

(\*\*) Term: **15 Years**

(21) Appl. No.: **29/666,746**

(22) Filed: **Oct. 16, 2018**

(51) **LOC (12) Cl.** ..... **14-01**

(52) **U.S. Cl.**  
USPC ..... **D14/204**

(58) **Field of Classification Search**  
USPC ..... D14/188, 192, 203.1–203.8, 204, D14/210–213, 215, 216, 348; 181/143, 181/144, 148, 153, 157, 198, 199; 369/6–12; 381/300–303, 361–364, 366, 381/386–388  
CPC ..... H04R 1/02; H04R 1/021; H04R 1/025; H04R 1/026; H04R 5/00; H04R 9/06; H04R 19/013; H04R 2400/00  
See application file for complete search history.

(56) **References Cited**

**U.S. PATENT DOCUMENTS**

D568,513 S \* 5/2008 Li ..... D26/40  
D605,321 S \* 12/2009 Schupp ..... D26/40

D611,453 S \* 3/2010 Park ..... D14/211  
D634,870 S \* 3/2011 Shen ..... D14/204  
D698,753 S \* 2/2014 Yiu ..... D14/216  
D768,597 S \* 10/2016 Andre ..... D14/204  
D792,373 S \* 7/2017 Flowers ..... D14/204

\* cited by examiner

*Primary Examiner* — Janice Patyk

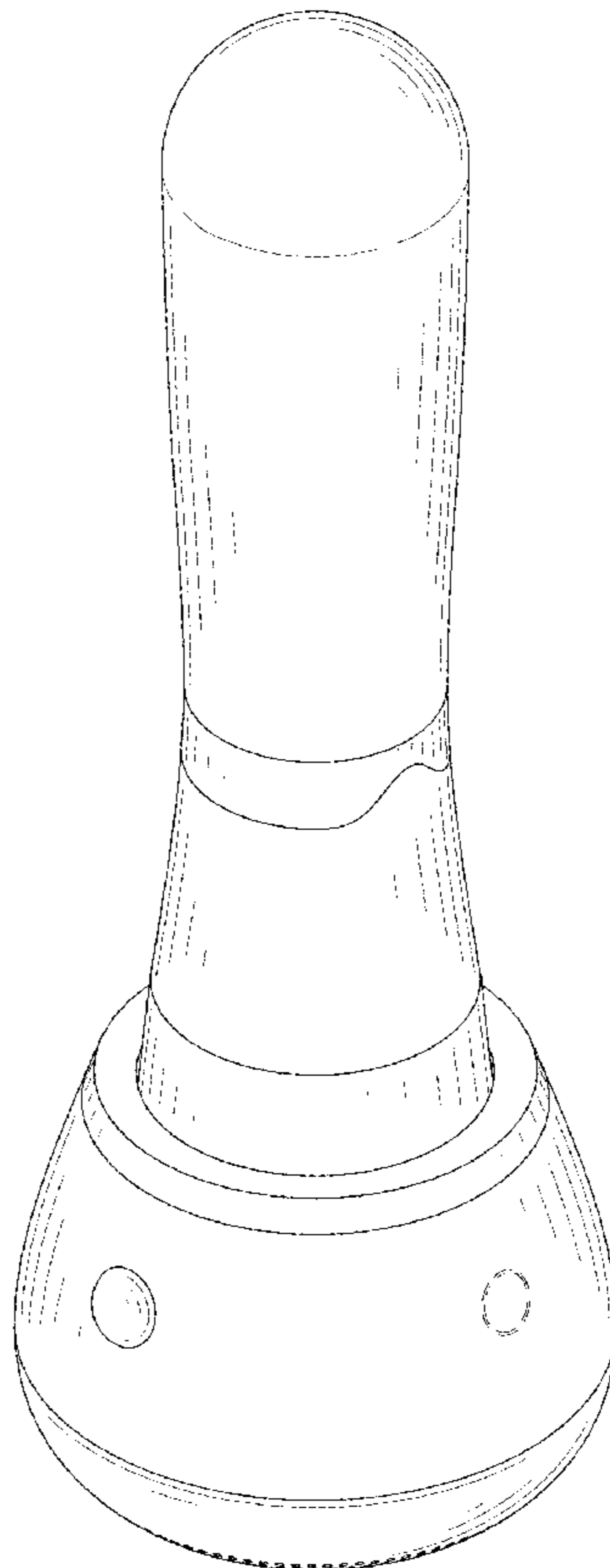
(57) **CLAIM**

The ornamental design for a combined wireless speaker and lamp, as shown and described.

**DESCRIPTION**

FIG. 1 is a top, front and left side perspective view of a combined wireless speaker and lamp showing my new design;  
FIG. 2 is a bottom, rear and right side perspective view thereof;  
FIG. 3 is a front elevational view thereof;  
FIG. 4 is a rear elevational view thereof;  
FIG. 5 is a left side view thereof;  
FIG. 6 is a right side view thereof;  
FIG. 7 is a top plan view thereof; and,  
FIG. 8 is a bottom plan view thereof.  
The broken lines in the figures illustrate the portions of the design that form no part of the claimed design.

**1 Claim, 8 Drawing Sheets**



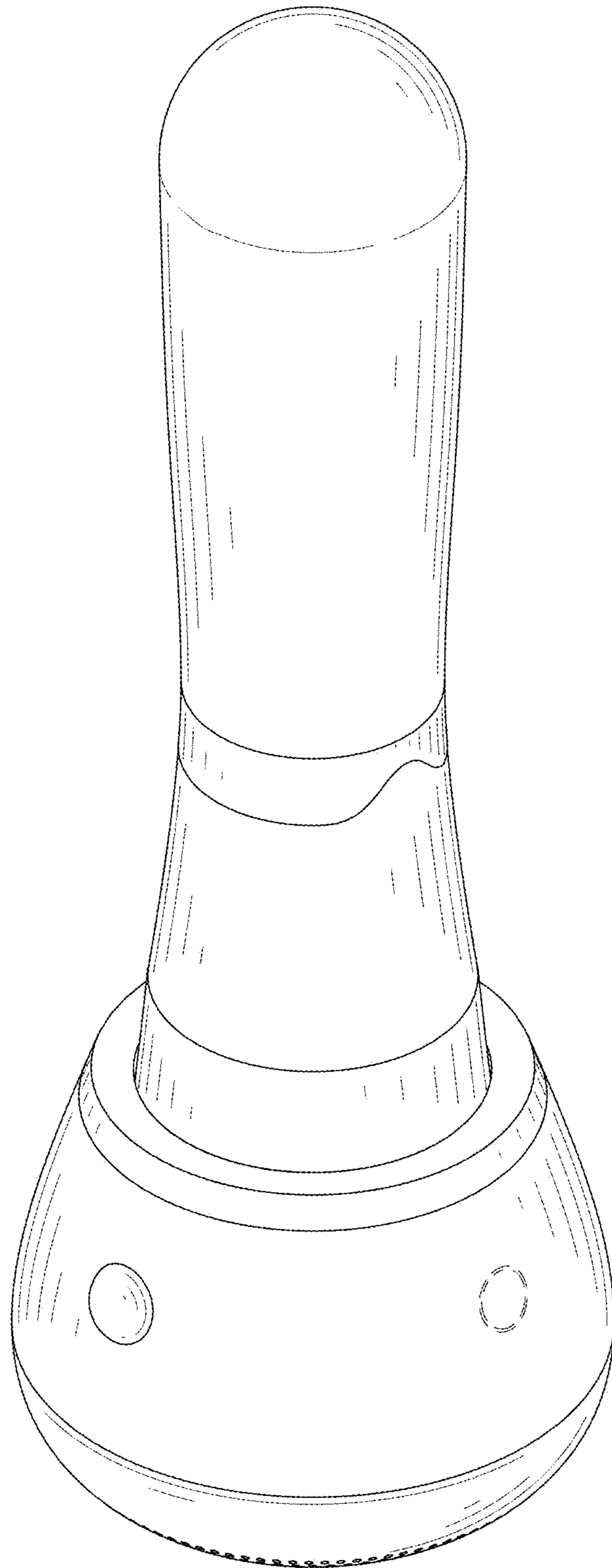


FIG. 1

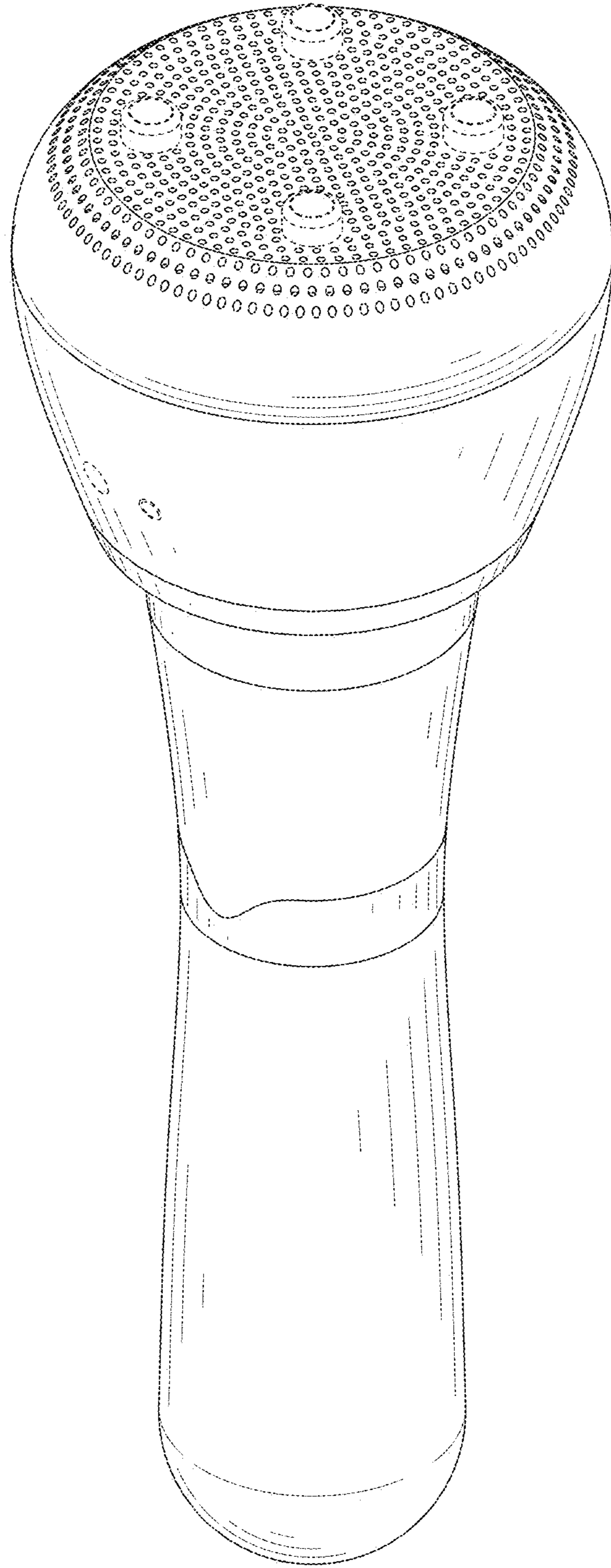


FIG. 2

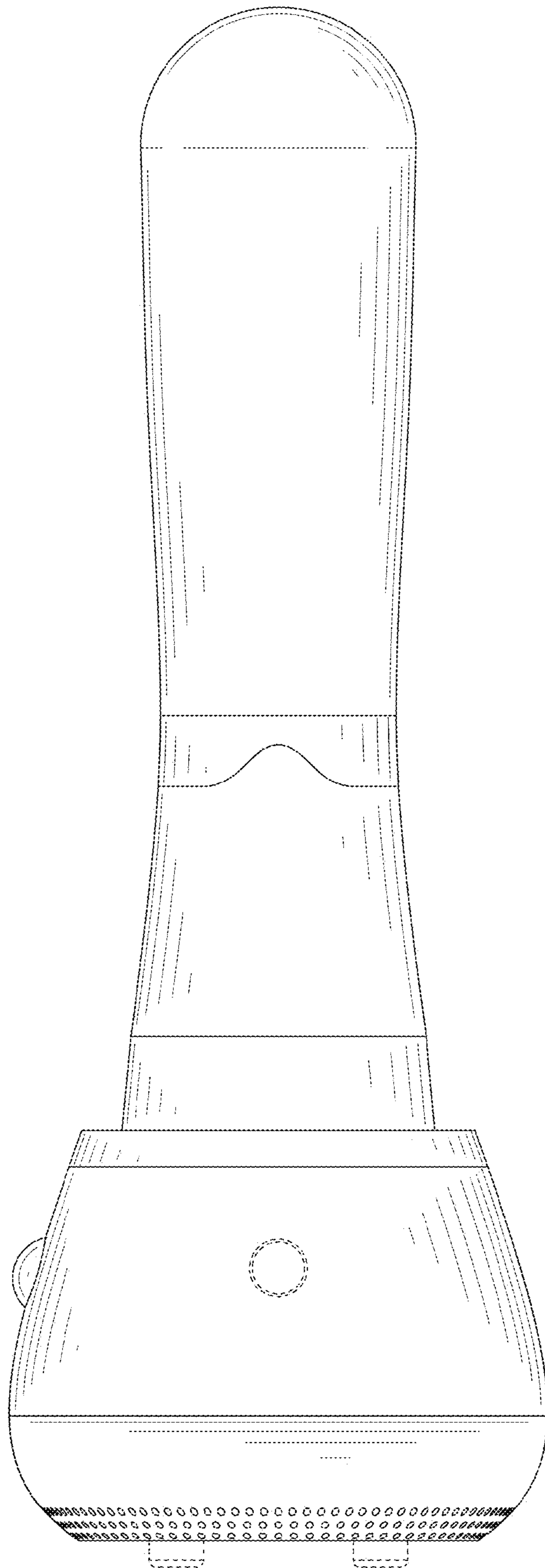


FIG. 3

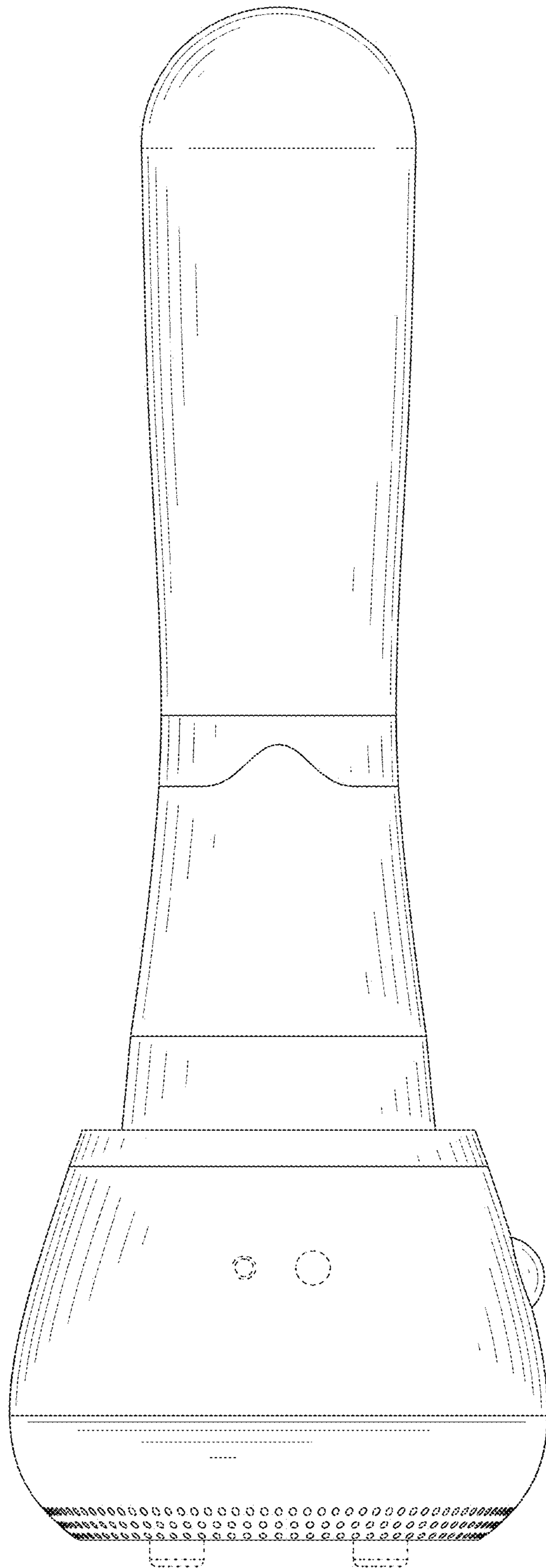


FIG. 4

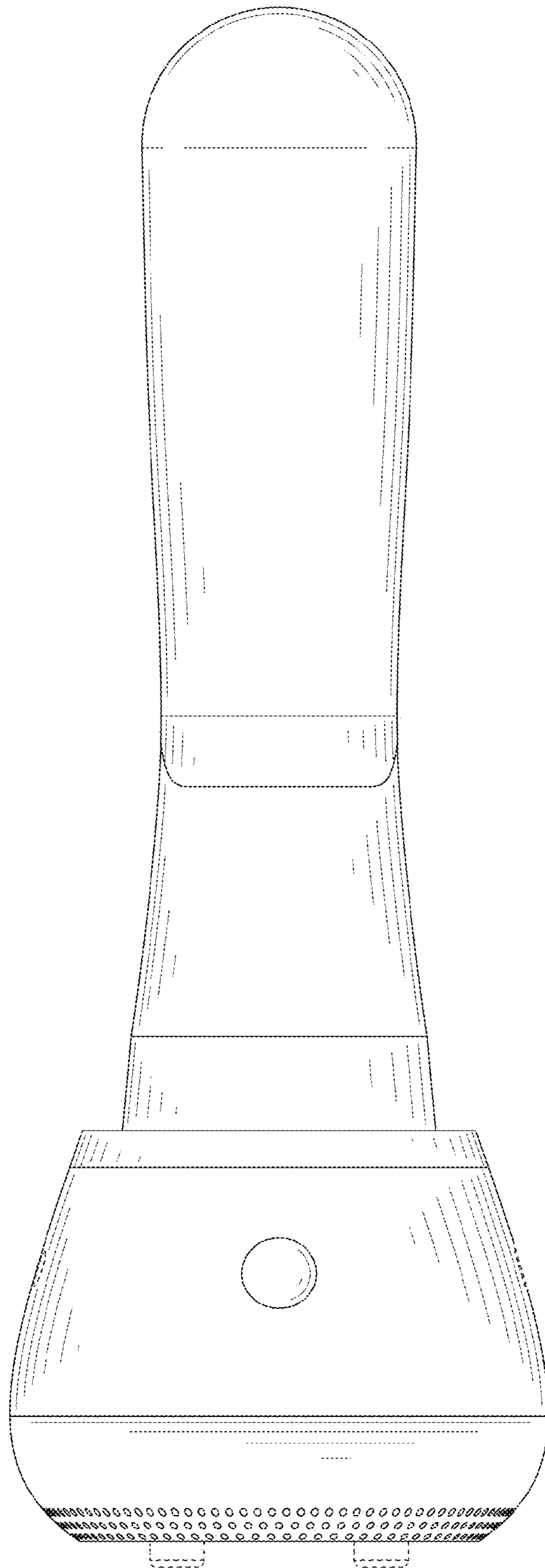


FIG. 5

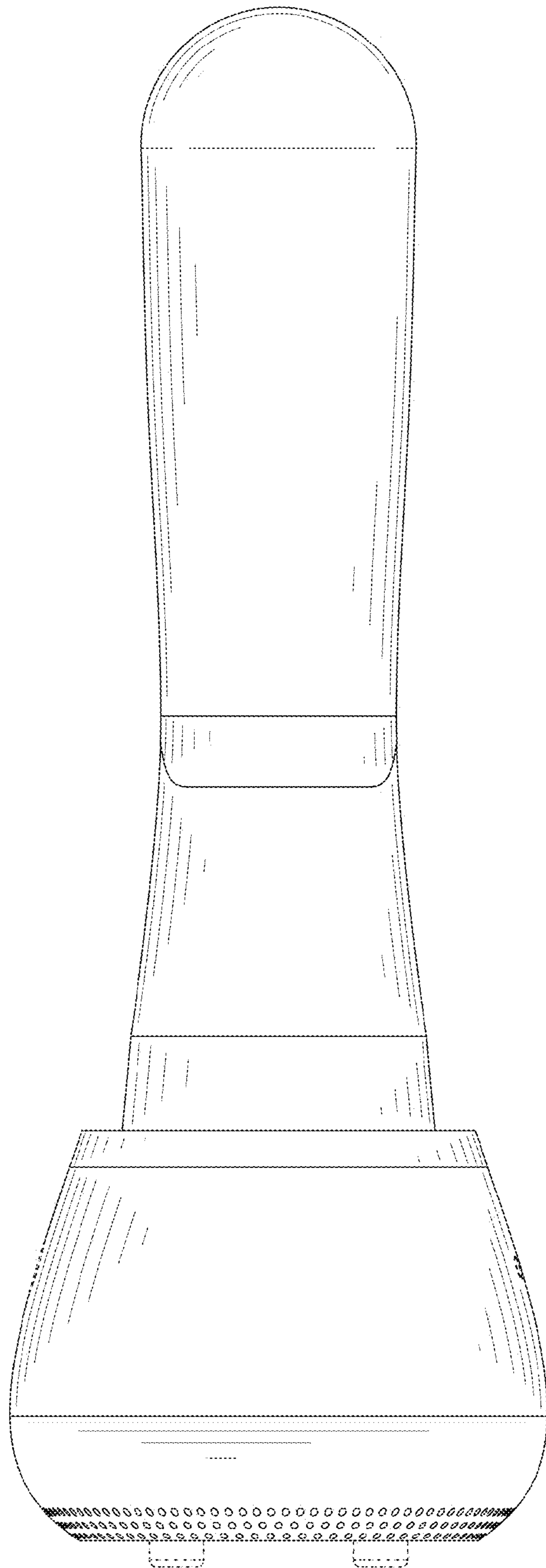


FIG. 6

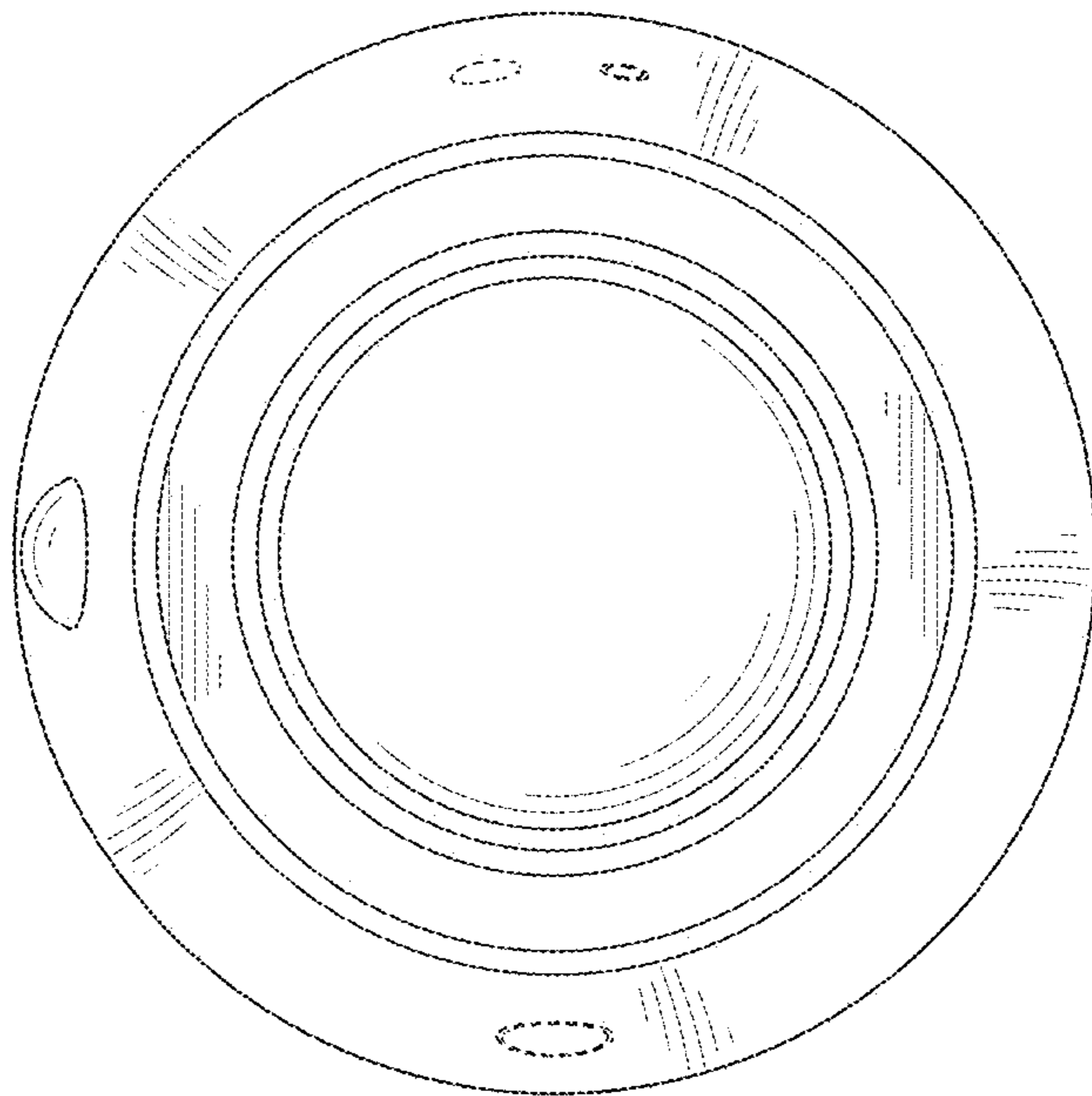


FIG. 7



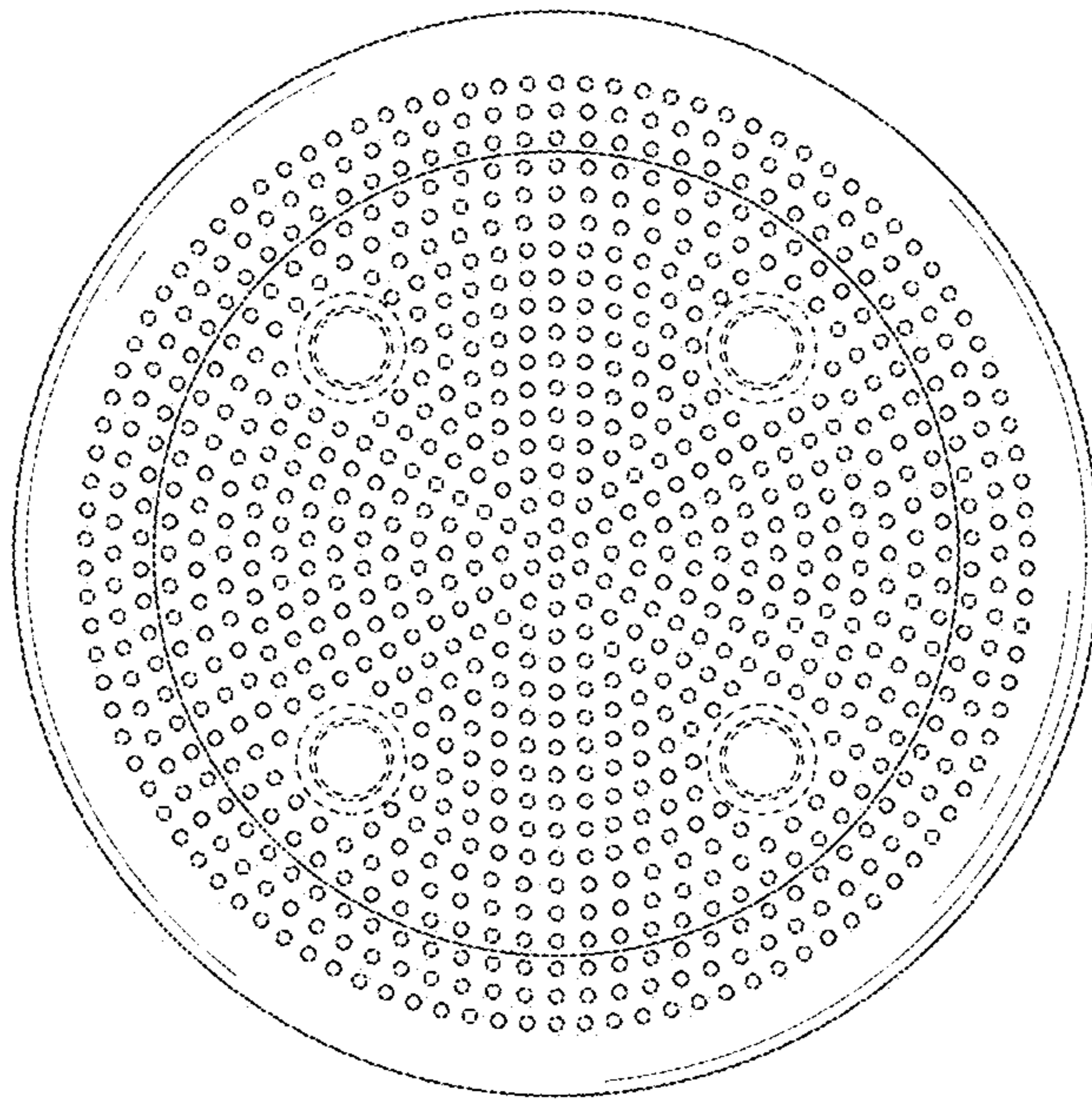


FIG. 8