



US00D887388S

(12) **United States Design Patent**
Chen

(10) **Patent No.:** **US D887,388 S**

(45) **Date of Patent:** **** Jun. 16, 2020**

(54) **BLUETOOTH SPEAKER**

(71) Applicant: **Shenzhen Zoeao Science and Technology Co., Ltd**, Shenzhen, Nanshan Dist. Guangdong (CN)

(72) Inventor: **Shujuan Chen**, Shenzhen (CN)

(73) Assignee: **Shenzhen Zoeao Science and Technology Co., Ltd**, Shenzhen (CN)

(**) Term: **15 Years**

(21) Appl. No.: **29/660,582**

(22) Filed: **Aug. 21, 2018**

(51) **LOC (12) Cl.** **14-01**

(52) **U.S. Cl.**
USPC **D14/204**

(58) **Field of Classification Search**
USPC D14/204, 496, 214, 172, 216, 219
CPC H04R 1/02; H04R 1/021; H04R 1/026;
H04R 1/028; H04R 1/403; H04R 1/2803;
H04R 5/02; H04R 9/06; H04R 9/13;
H04R 2201/021; H04R 2400/00; H04R
2499/11
See application file for complete search history.

(56) **References Cited**

U.S. PATENT DOCUMENTS

D324,387 S * 3/1992 Johnson D14/207
D471,532 S * 3/2003 Solland D14/211

D495,683 S * 9/2004 Seelye D14/211
D497,358 S * 10/2004 Takeuchi D14/211
D740,249 S * 10/2015 Park D14/188
D822,647 S * 7/2018 Bonikowski D14/228
D858,484 S * 9/2019 Liu D14/207
D864,159 S * 10/2019 Ding D14/211
D864,161 S * 10/2019 Modestine D14/214

* cited by examiner

Primary Examiner — Cynthia R Underwood

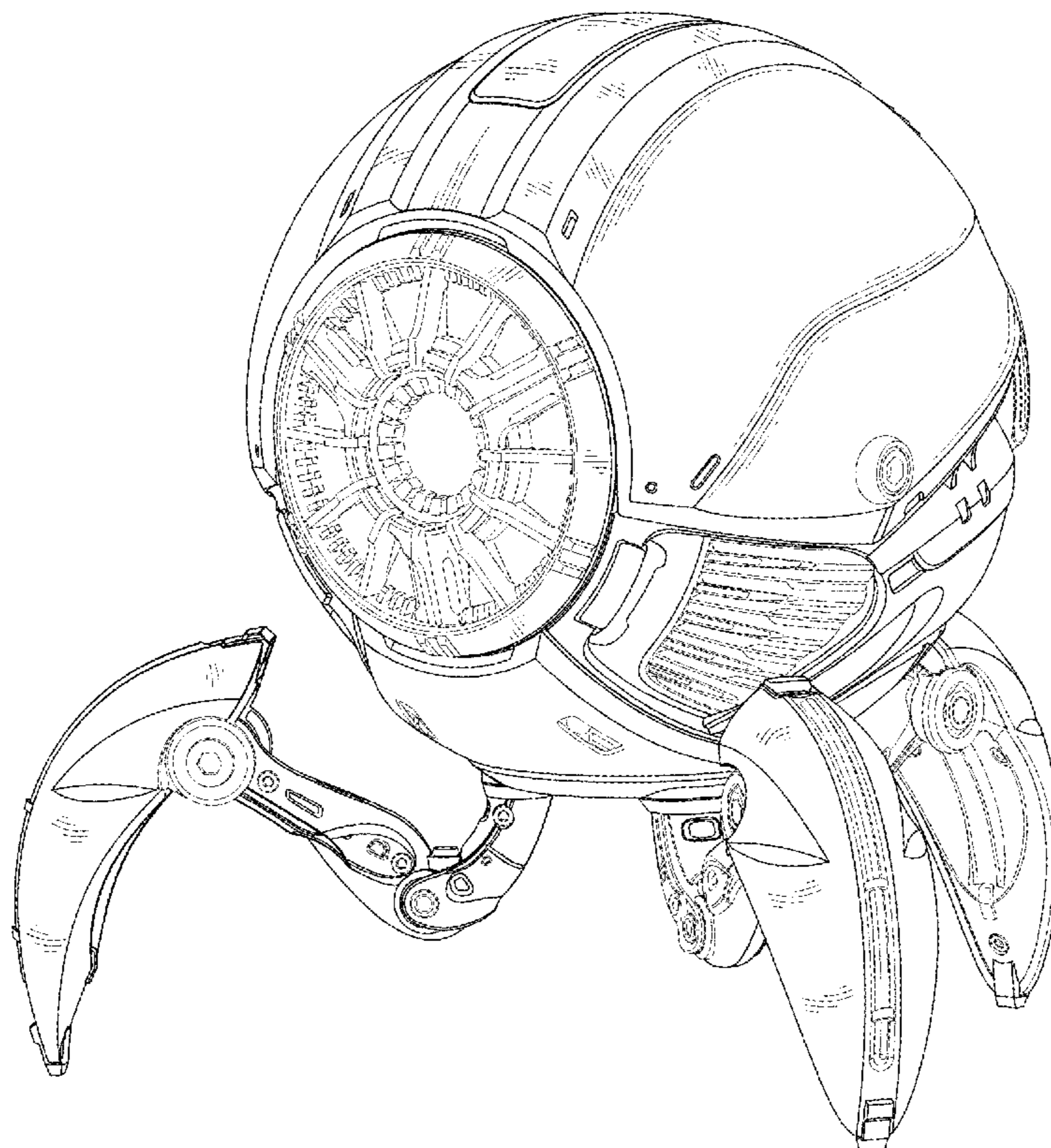
(57) **CLAIM**

The ornamental design for a “Bluetooth speaker,” as shown and described.

DESCRIPTION

FIG. 1 is a front view of a Bluetooth speaker, showing my new design;
FIG. 2 is a rear view thereof;
FIG. 3 is a left side view thereof;
FIG. 4 is a right side view thereof;
FIG. 5 is a top plan view thereof;
FIG. 6 is a bottom plan view thereof;
FIG. 7 is a perspective view thereof; and,
FIG. 8 is another perspective view thereof.
The broken lines represent portions of the structure that forms no part of the claim.

1 Claim, 8 Drawing Sheets



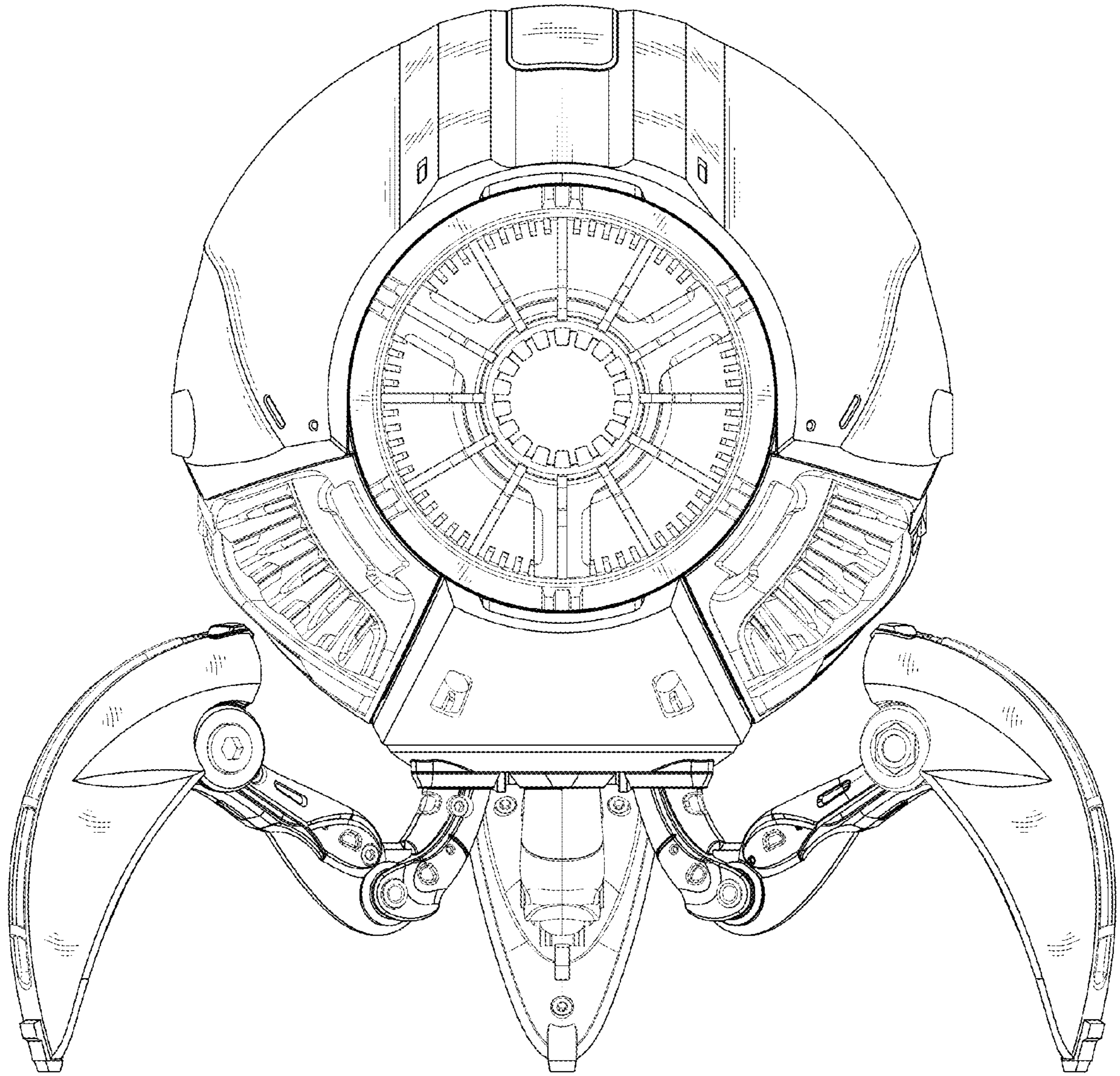


FIG.1

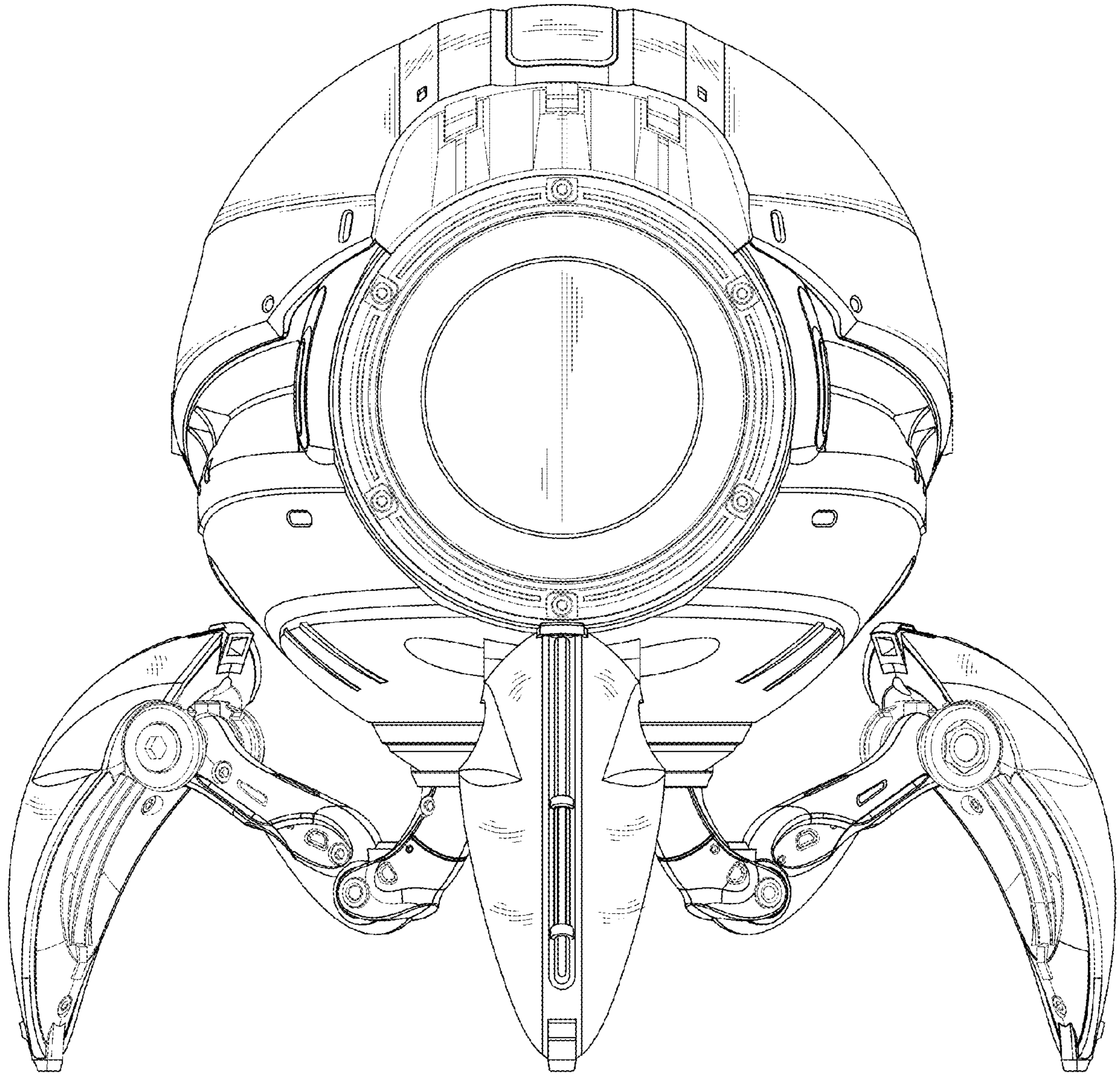


FIG.2

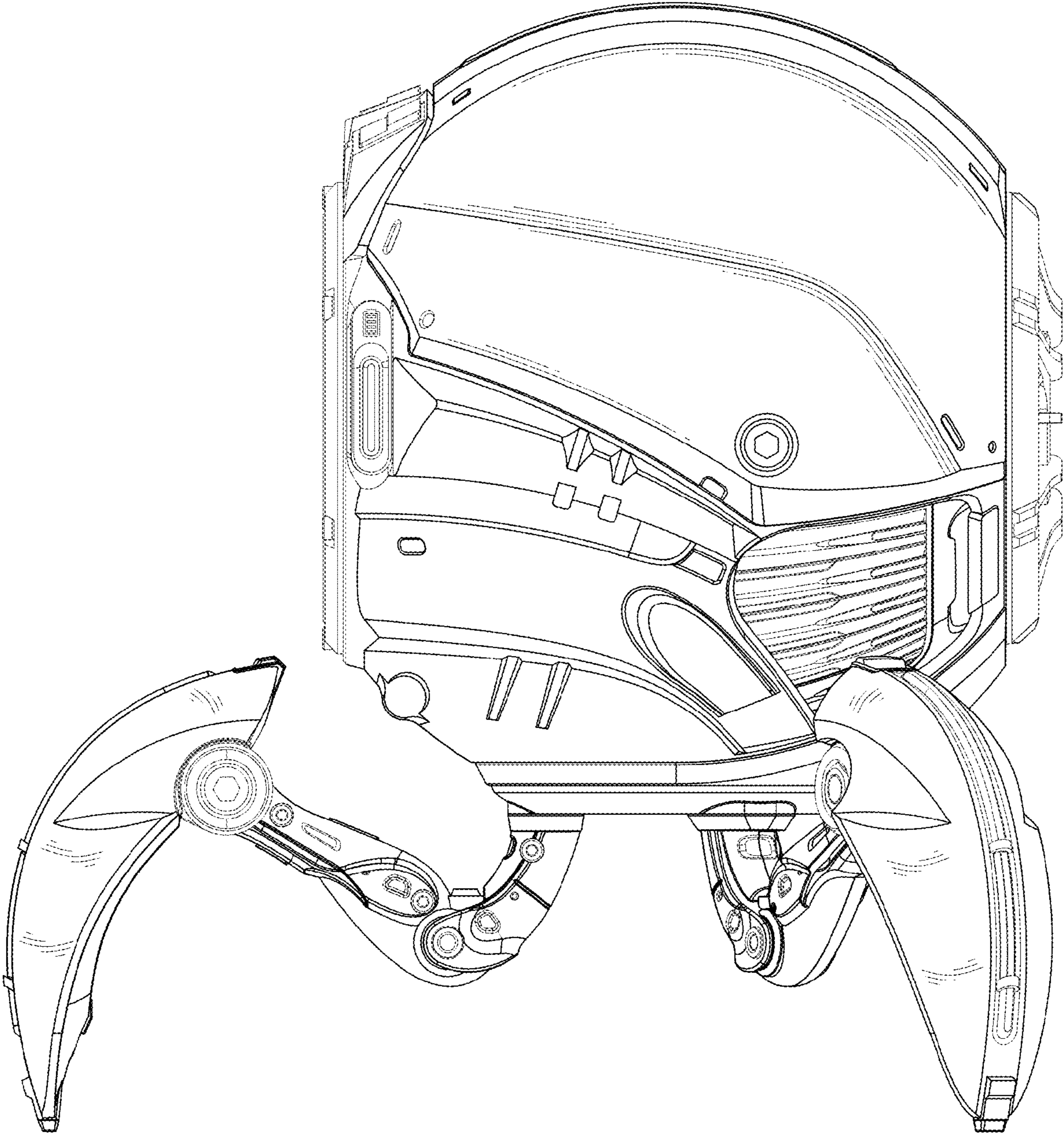


FIG. 3

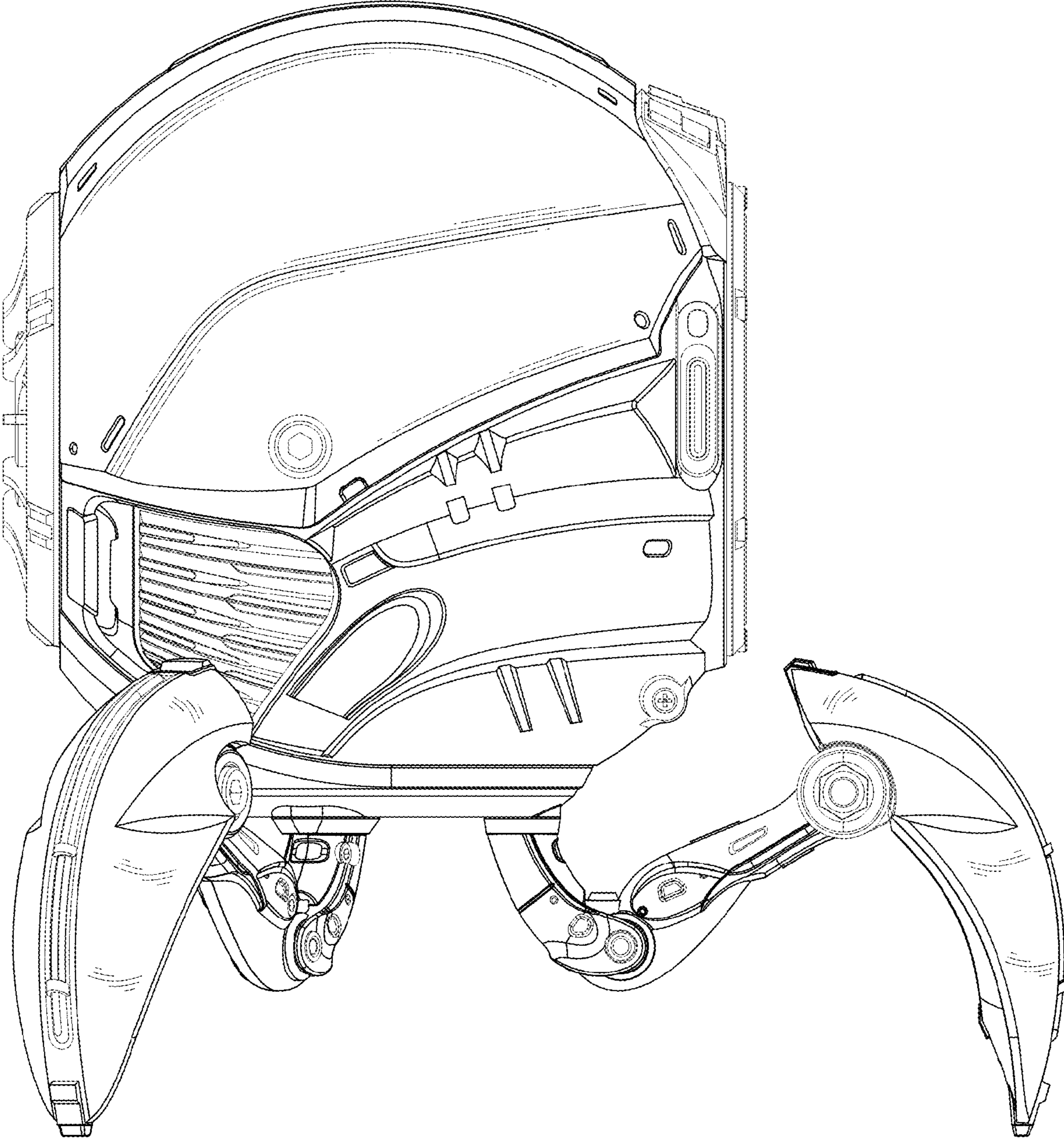


FIG. 4

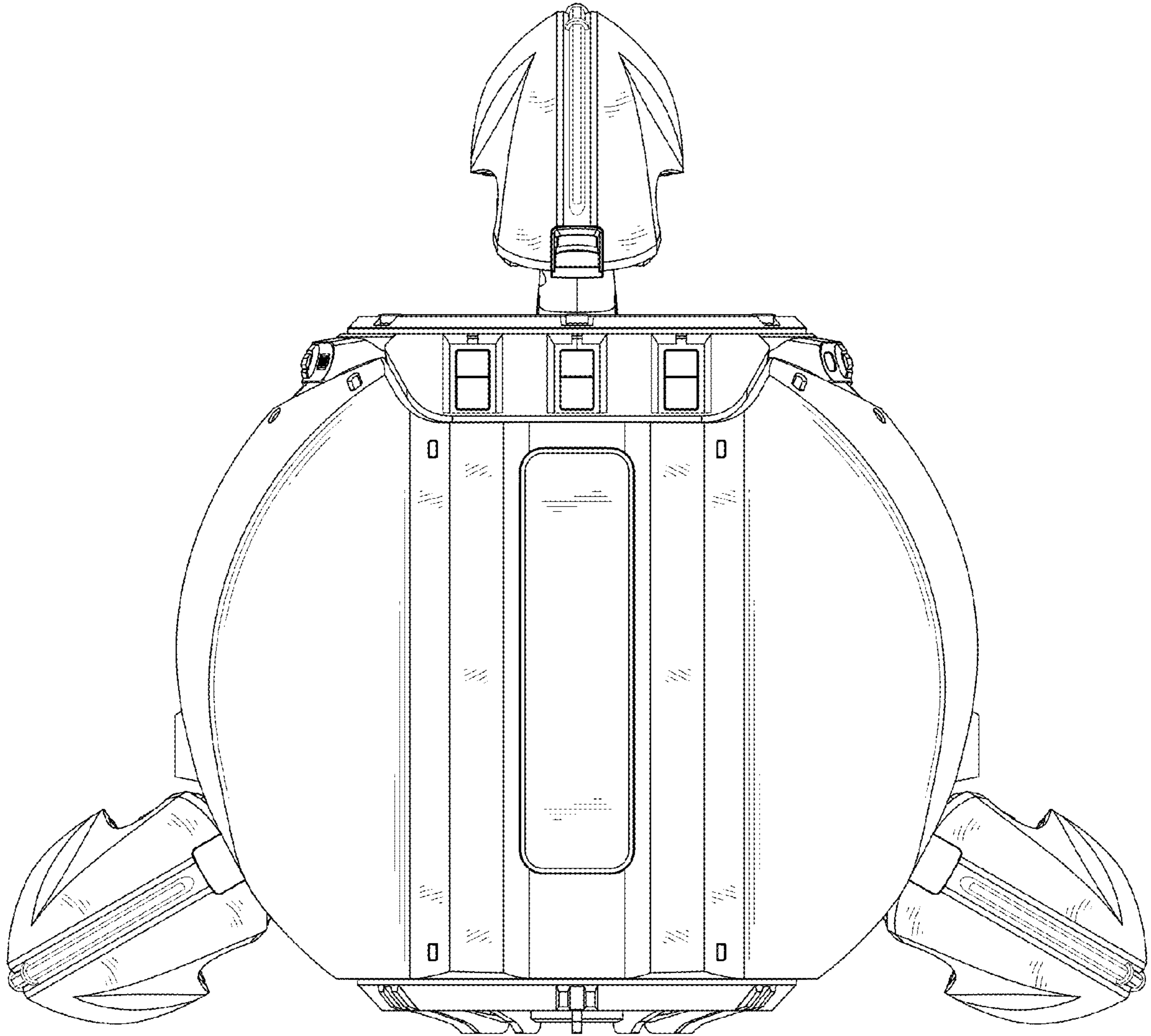


FIG.5

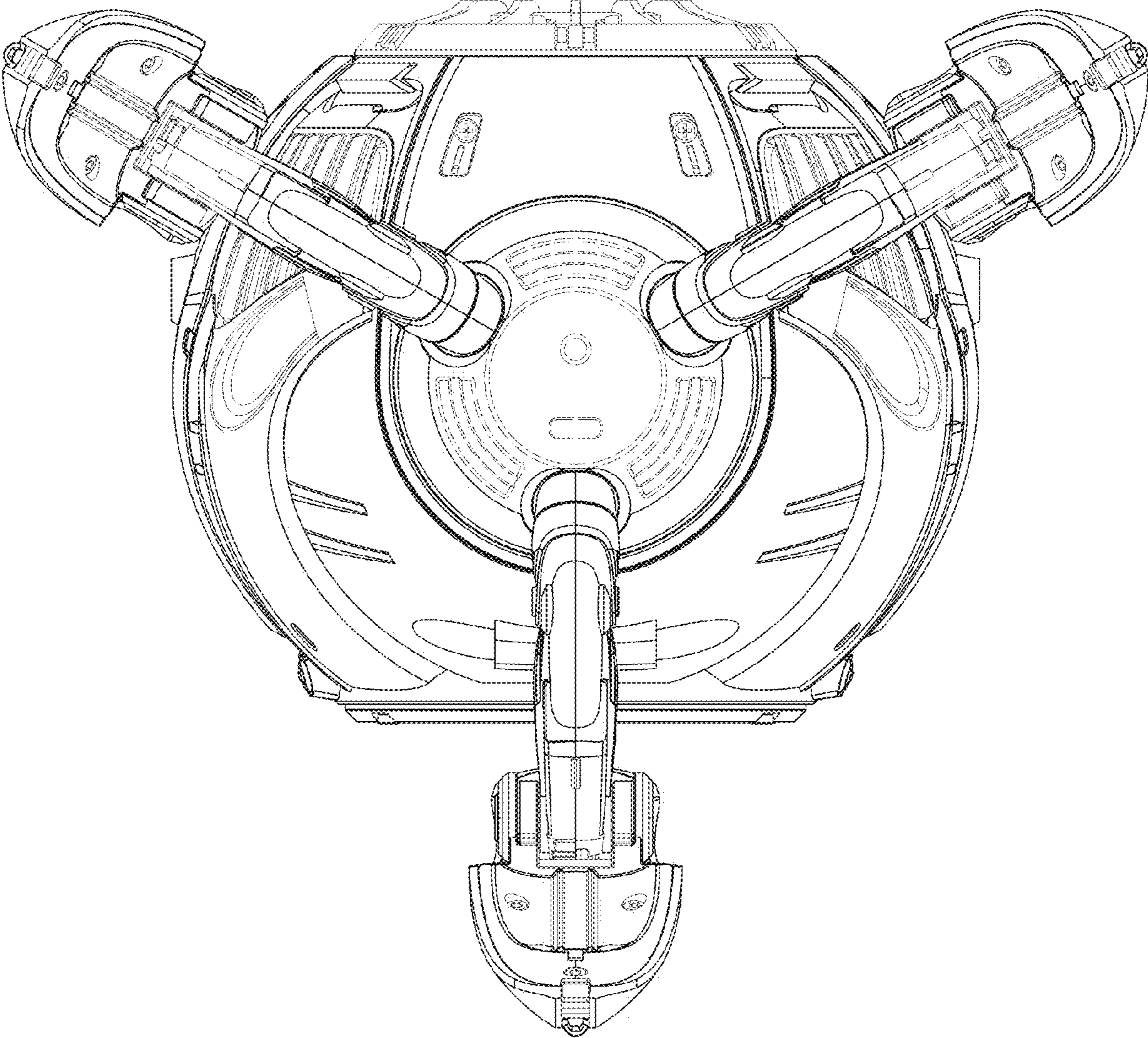


FIG.6

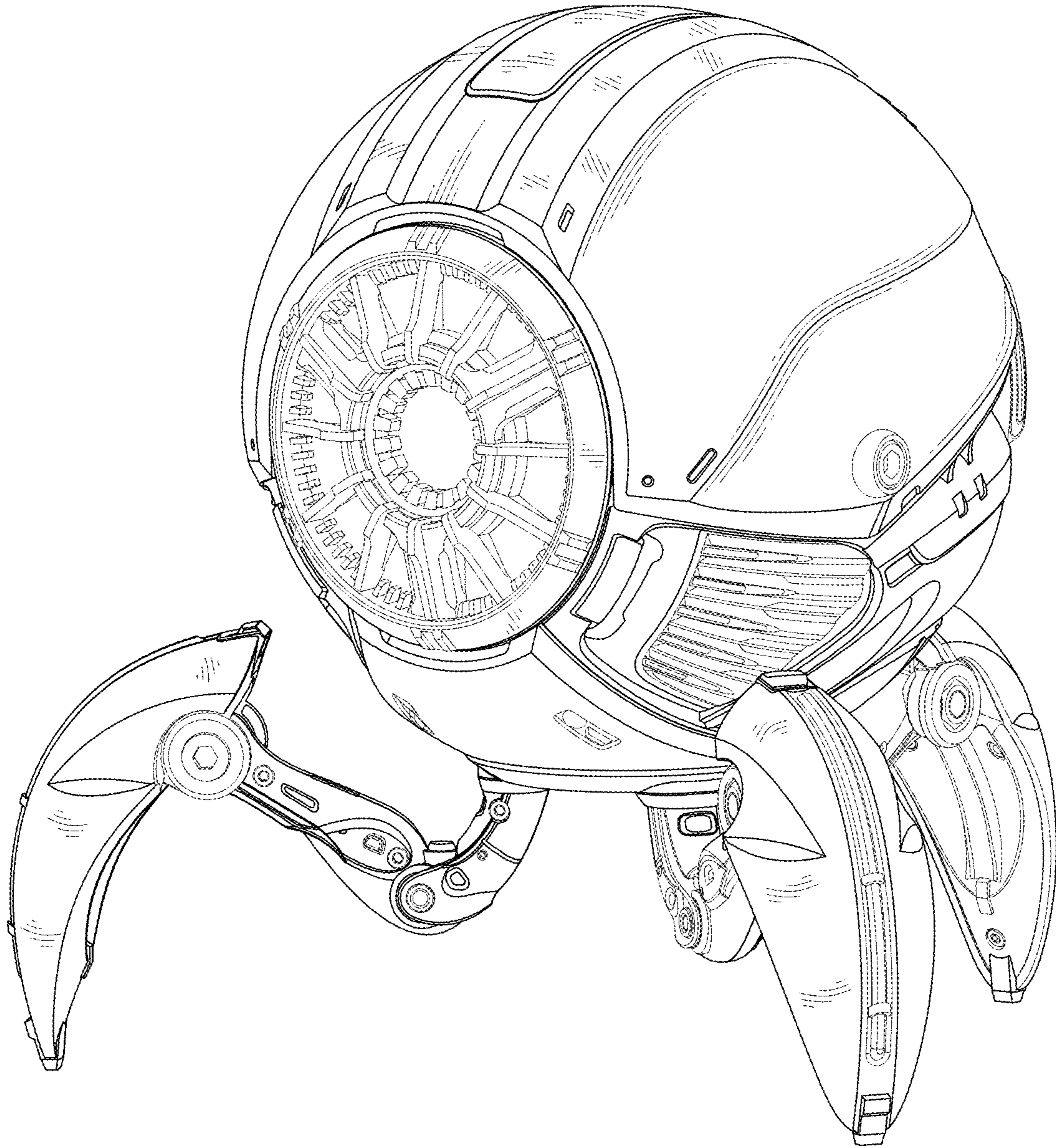


FIG. 7

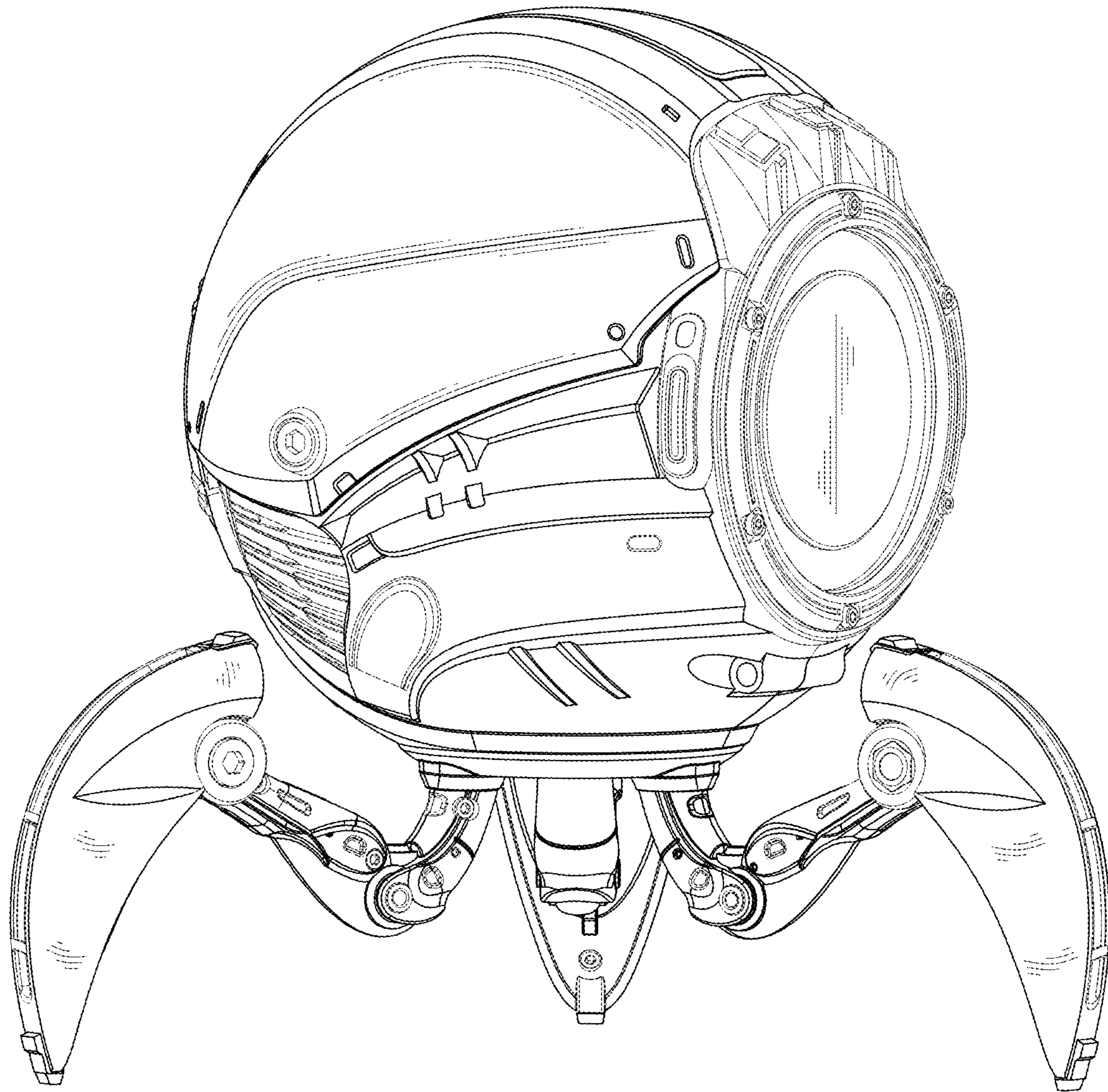


FIG. 8