



US00D887387S

(12) **United States Design Patent**  
**Yan**

(10) **Patent No.:** **US D887,387 S**  
(45) **Date of Patent:** **\*\* Jun. 16, 2020**

(54) **TURNTABLE**

(71) Applicant: **Doudou Yan**, Shenzhen (CN)

(72) Inventor: **Doudou Yan**, Shenzhen (CN)

(\*\*) Term: **15 Years**

(21) Appl. No.: **29/724,503**

(22) Filed: **Feb. 15, 2020**

(51) **LOC (12) Cl.** ..... **14-01**

(52) **U.S. Cl.**  
USPC ..... **D14/202**

(58) **Field of Classification Search**  
USPC ..... D14/498, 168, 199–203, 261;  
369/264–265; 312/8.1, 8.3  
CPC ..... B60R 11/02; B60K 37/04; B60K 37/06;  
H04B 1/08; H04B 1/082; G11B 17/16;  
G11B 23/00; G11B 19/16; G11B 33/02  
See application file for complete search history.

(56) **References Cited**

**U.S. PATENT DOCUMENTS**

- 1,811,628 A \* 6/1931 Hollerith, Jr. .... G11B 33/02  
312/8.8
- D96,832 S \* 9/1935 Hill ..... D14/169
- D97,763 S \* 12/1935 Erwood ..... D14/168
- D186,471 S \* 10/1959 Steidinger ..... D14/201
- 3,180,447 A \* 4/1965 Huff ..... G11B 33/02  
181/145
- D221,998 S \* 9/1971 Wada ..... D14/169
- D265,085 S \* 6/1982 Masterson ..... G11B 33/02  
D14/199
- D268,028 S \* 2/1983 Ekuan ..... D14/202

- D279,371 S \* 6/1985 Arrington ..... D14/202
- D502,696 S \* 3/2005 Ishibashi ..... D14/168
- D864,891 S \* 10/2019 Yang ..... G11B 33/02  
D14/202

**OTHER PUBLICATIONS**

[https://www.potterybarn.com/products/crosley-executive-portable-turntable/?catalogId=84&sku=3770711&cm\\_ven=PLA&cm\\_cat=Google&cm\\_pla=Pillows%20%26%20Decor%20%3E%20Electronics%20%26%20Tech%20Accessories%20%3E%20Audio&cm\\_ite=3770711&gclid=EAlalQobChMlplPlzFTT5wlVggDsCh2nXQBbEAQYCCABEgLW8vD\\_BwE](https://www.potterybarn.com/products/crosley-executive-portable-turntable/?catalogId=84&sku=3770711&cm_ven=PLA&cm_cat=Google&cm_pla=Pillows%20%26%20Decor%20%3E%20Electronics%20%26%20Tech%20Accessories%20%3E%20Audio&cm_ite=3770711&gclid=EAlalQobChMlplPlzFTT5wlVggDsCh2nXQBbEAQYCCABEgLW8vD_BwE)

\* cited by examiner

*Primary Examiner* — Sandra L Morris

(74) *Attorney, Agent, or Firm* — Justin Lampel

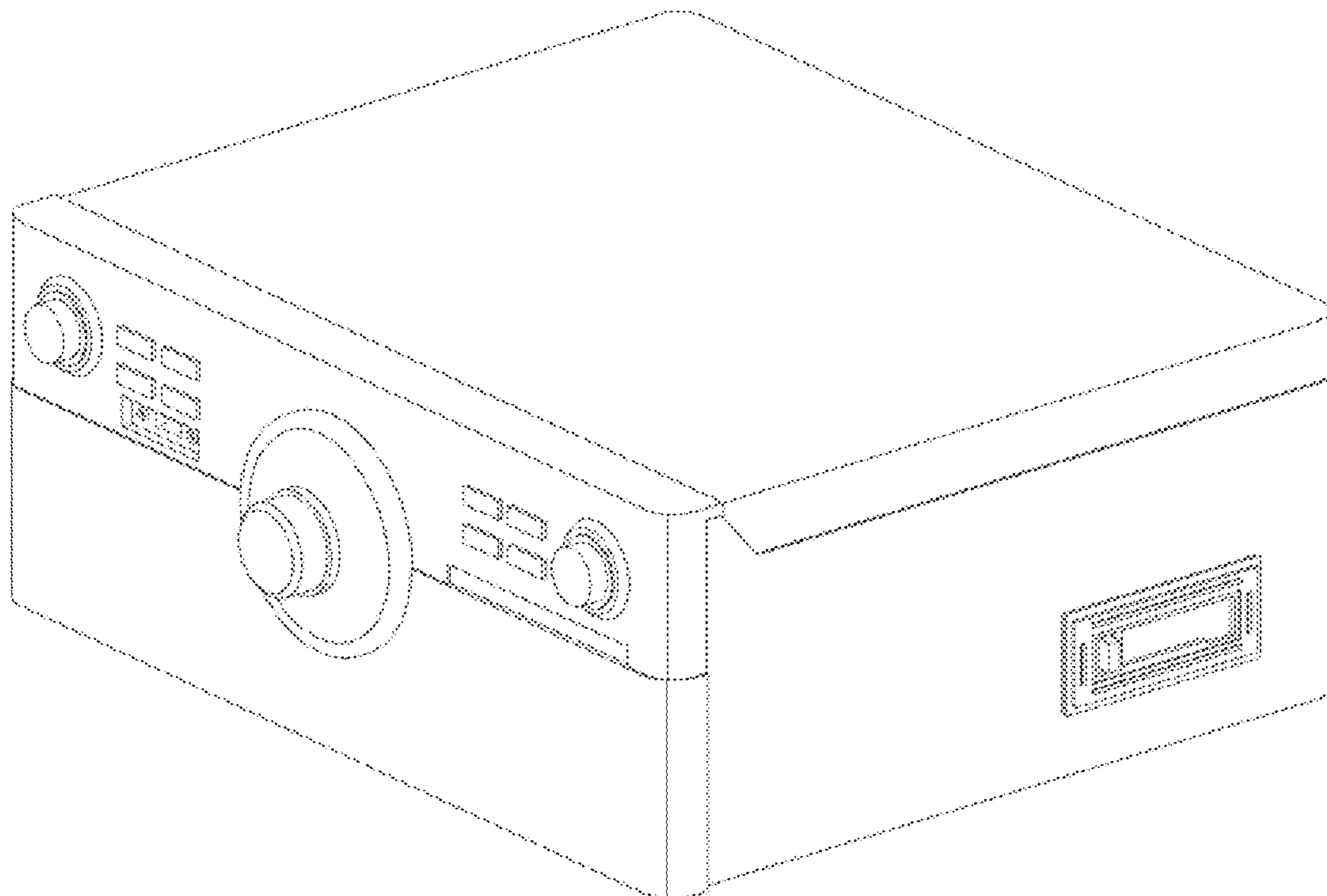
(57) **CLAIM**

The ornamental design for a turntable, as shown and described.

**DESCRIPTION**

FIG. 1 is a perspective view of a turntable, showing the claimed design;  
FIG. 2 is a top plan view thereof;  
FIG. 3 is a rear elevational view thereof;  
FIG. 4 is a bottom plan view thereof;  
FIG. 5 is a right side view thereof;  
FIG. 6 is a front elevational view thereof; and,  
FIG. 7 is a left side view thereof.

**1 Claim, 7 Drawing Sheets**



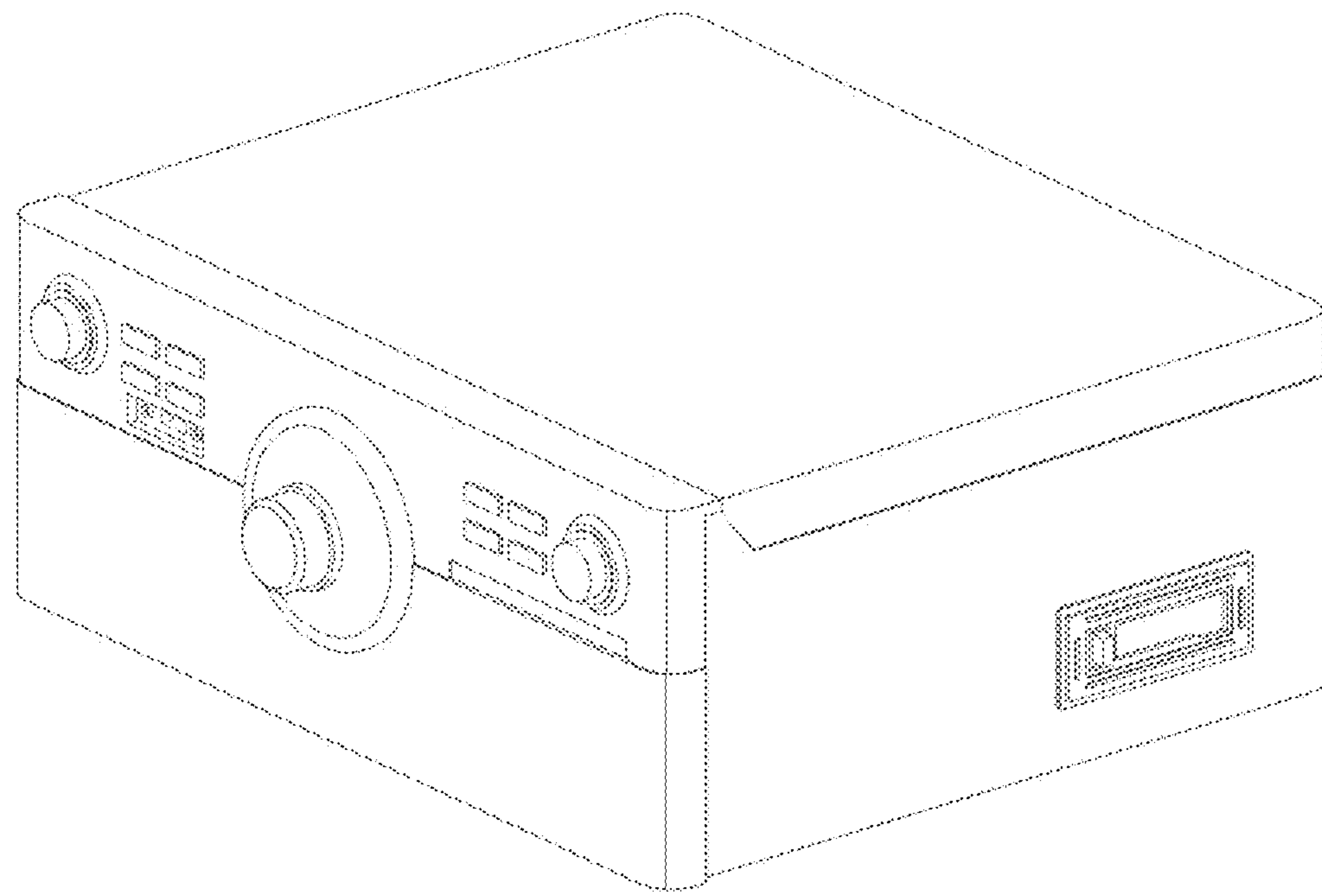


FIG. 1

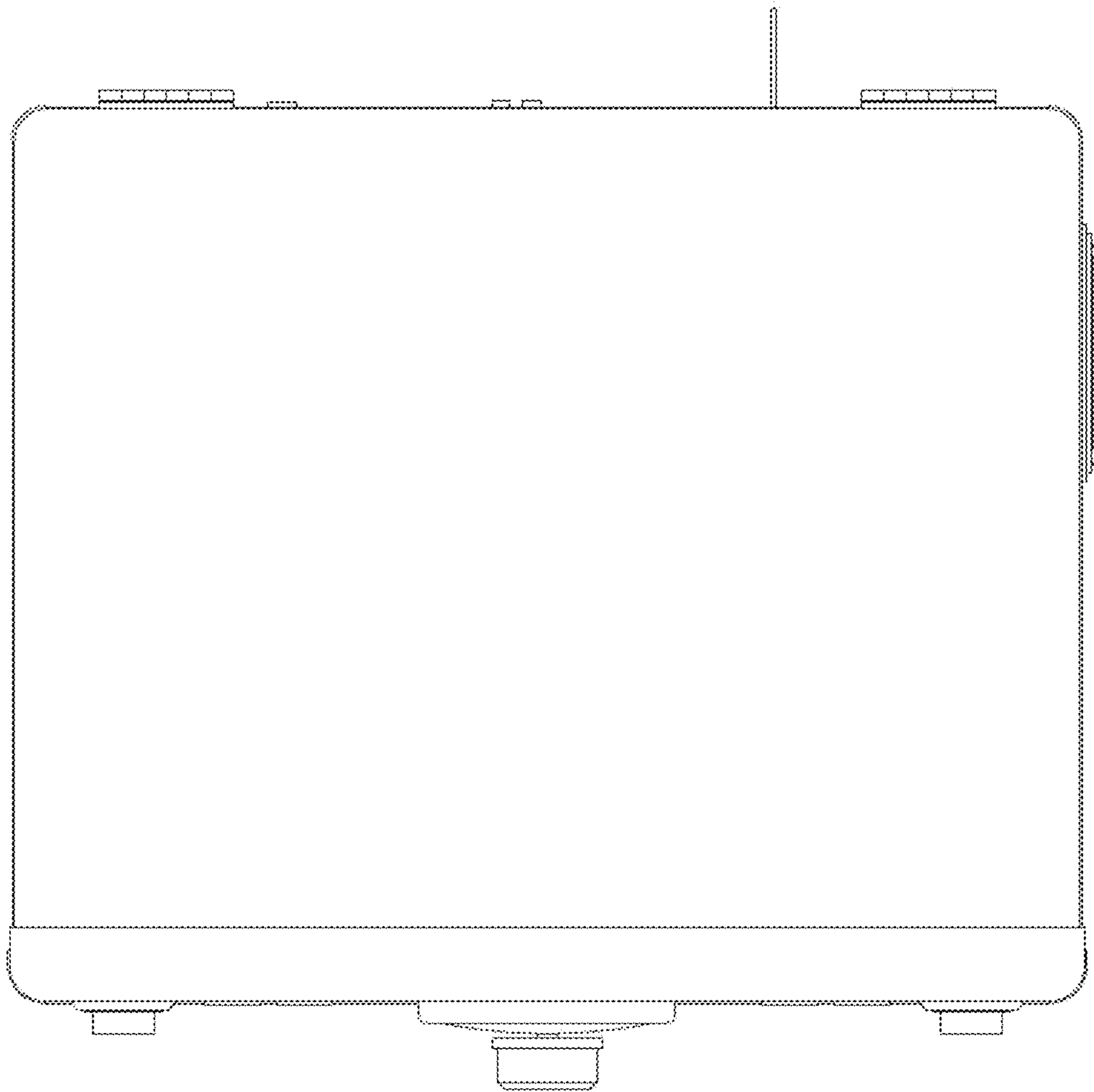


FIG.2

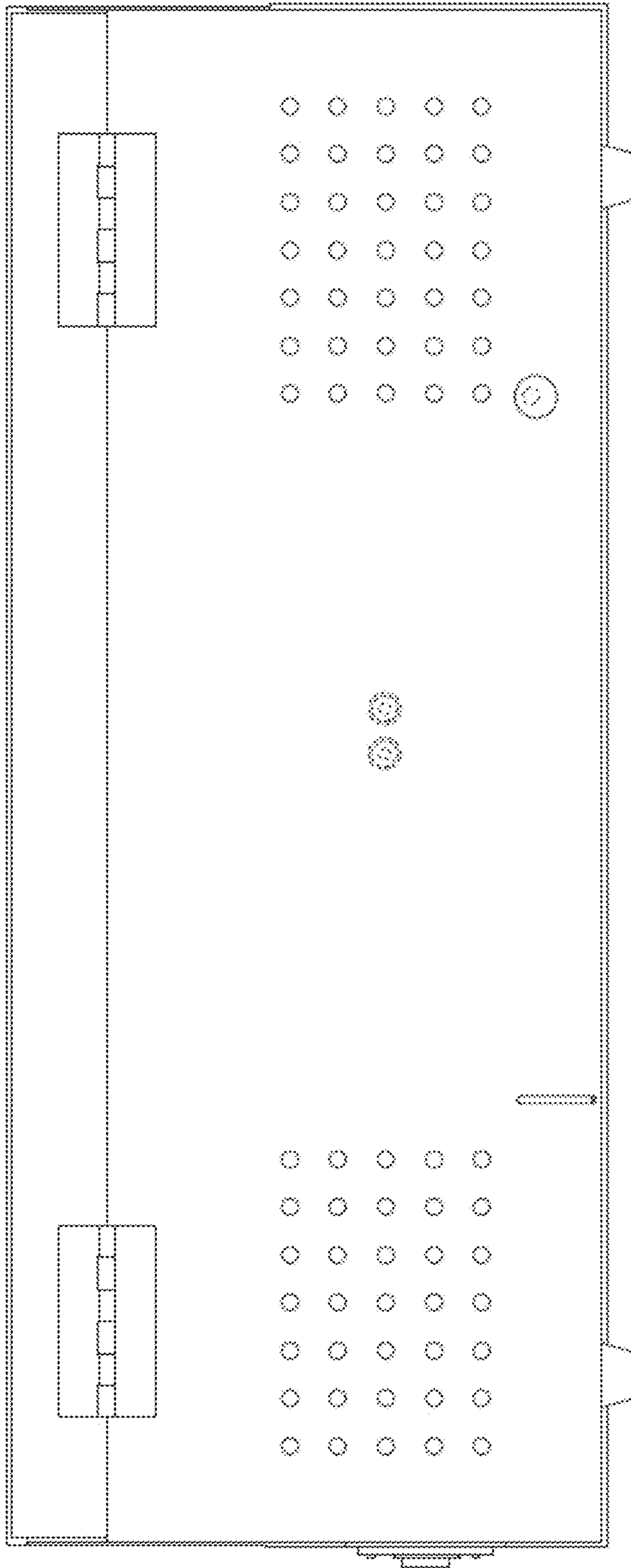


FIG. 3

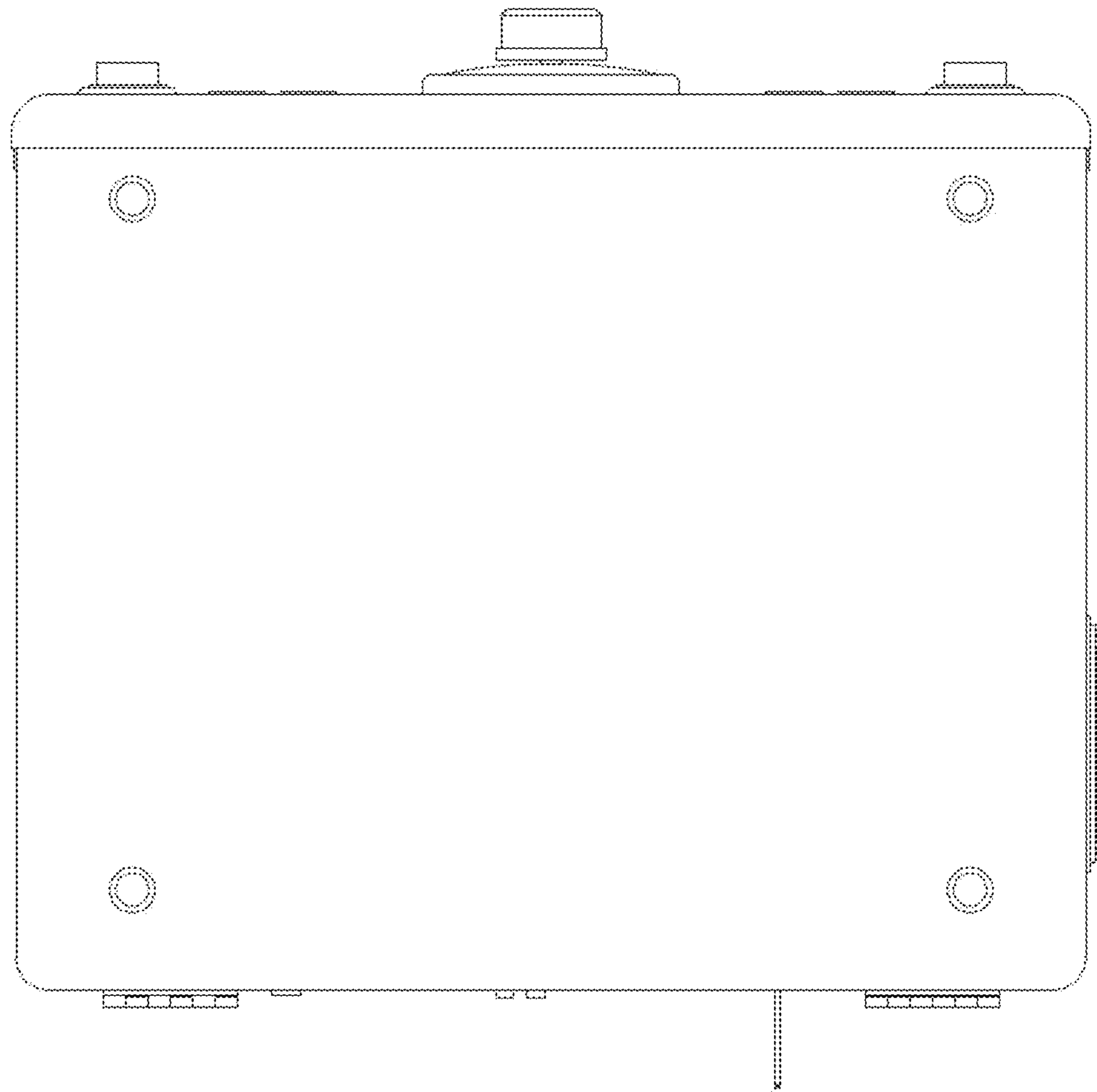


FIG.4

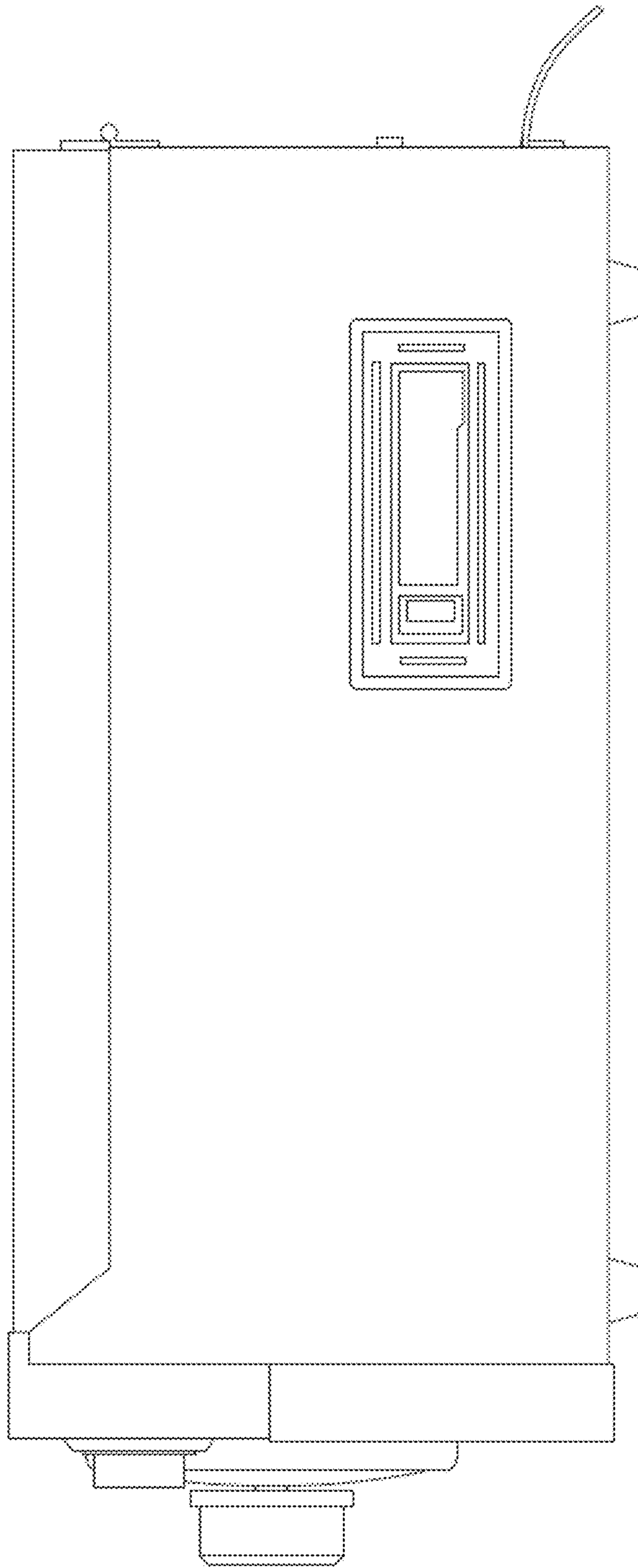


FIG. 5



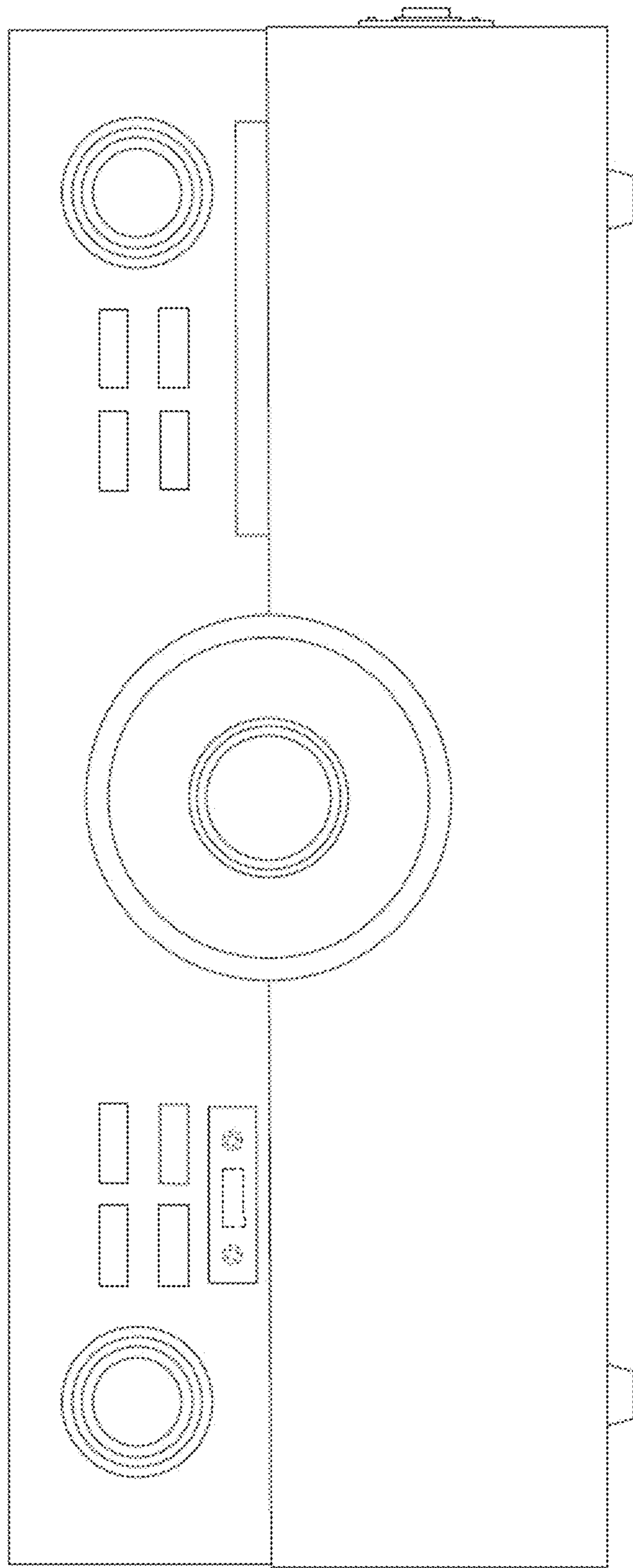


FIG. 6

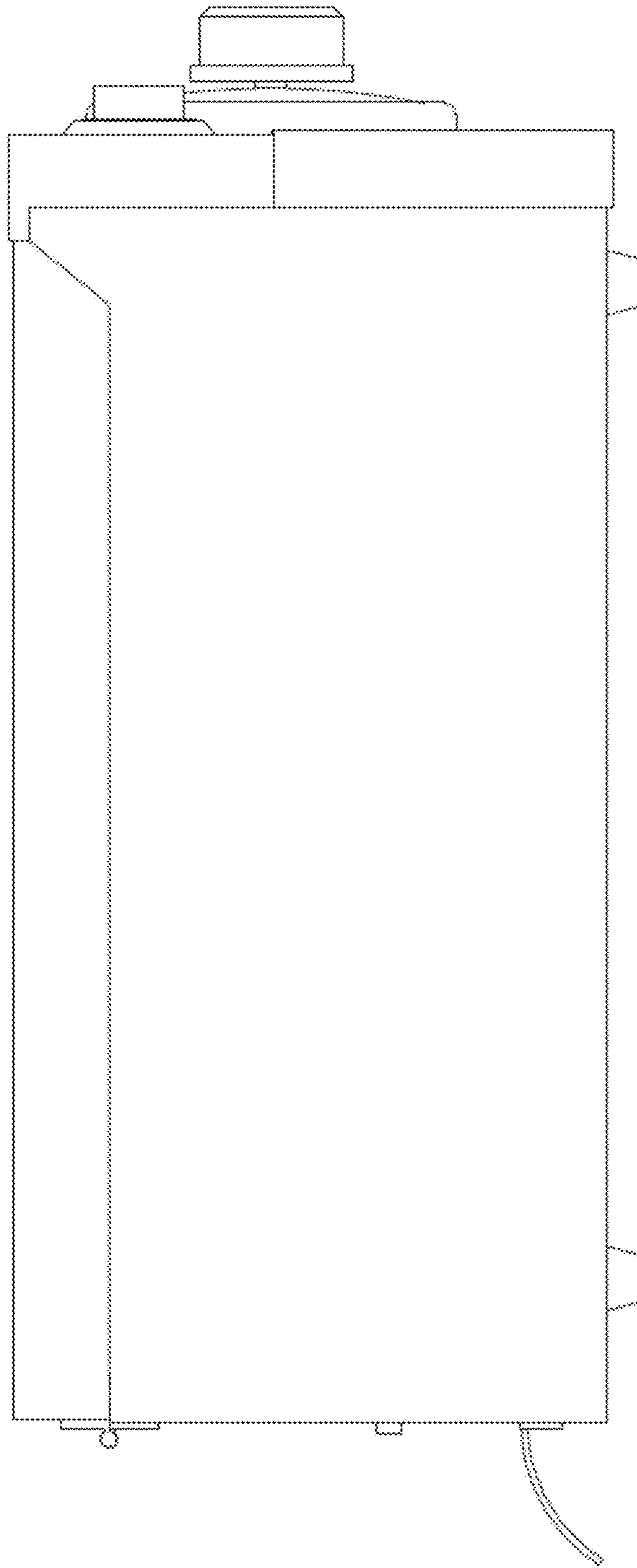


FIG.7