



US00D887386S

(12) **United States Design Patent**
Shi

(10) **Patent No.:** **US D887,386 S**

(45) **Date of Patent:** **** Jun. 16, 2020**

(54) **RECORD PLAYER**

(71) Applicant: **Xiaomin Shi**, Guangdong (CN)

(72) Inventor: **Xiaomin Shi**, Guangdong (CN)

(**) Term: **15 Years**

(21) Appl. No.: **29/662,819**

(22) Filed: **Sep. 10, 2018**

(51) **LOC (12) Cl.** **14-01**

(52) **U.S. Cl.**
USPC **D14/202; D14/203**

(58) **Field of Classification Search**
USPC D14/199-203, 261; 369/264-265
CPC B60R 11/02; B60K 37/04; B60K 37/06;
H04B 1/08; H04B 1/082; G11B 17/16;
G11B 23/00; G11B 19/16; G11B 3/46;
G11B 33/02
See application file for complete search history.

(56) **References Cited**

U.S. PATENT DOCUMENTS

D220,368 S * 3/1971 Levow D14/203
D226,452 S * 3/1973 Yazawa D14/202

D247,488 S * 3/1978 Ohtomo D14/202
D249,143 S * 8/1978 Ohtomo D14/203
D810,716 S * 2/2018 Yang D14/203
D824,357 S * 7/2018 Ding D14/202

* cited by examiner

Primary Examiner — Sandra L Morris

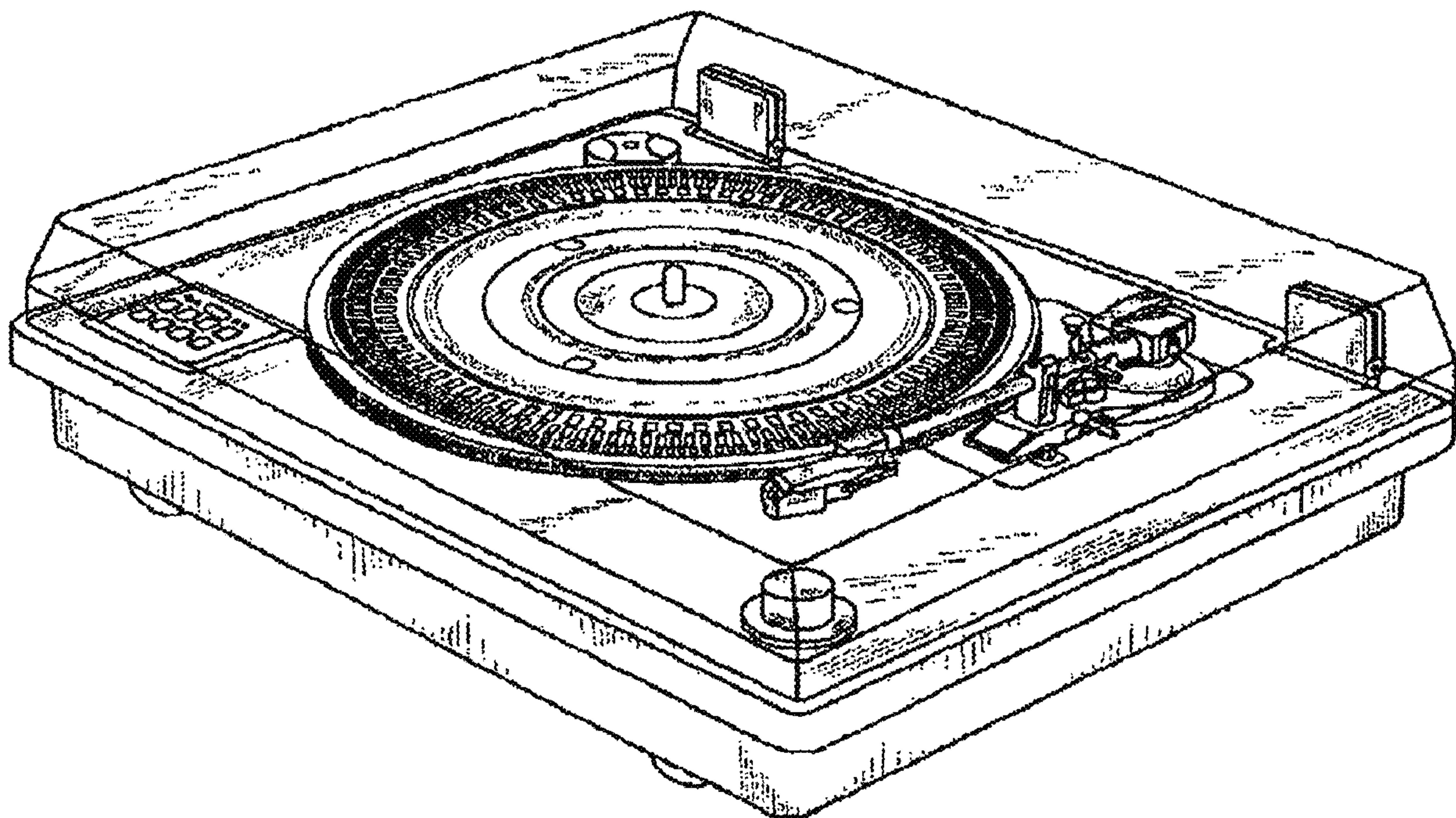
(57) **CLAIM**

The ornamental design for a record player, as shown and described.

DESCRIPTION

FIG. 1 is a perspective view of a record player showing my new design;
FIG. 2 is a front elevational view thereof;
FIG. 3 is a rear elevational view thereof;
FIG. 4 is a left side elevational view thereof;
FIG. 5 is a right side elevational view thereof;
FIG. 6 is a top plan view thereof; and,
FIG. 7 is a perspective view thereof, showing the lid in an open state.

1 Claim, 7 Drawing Sheets



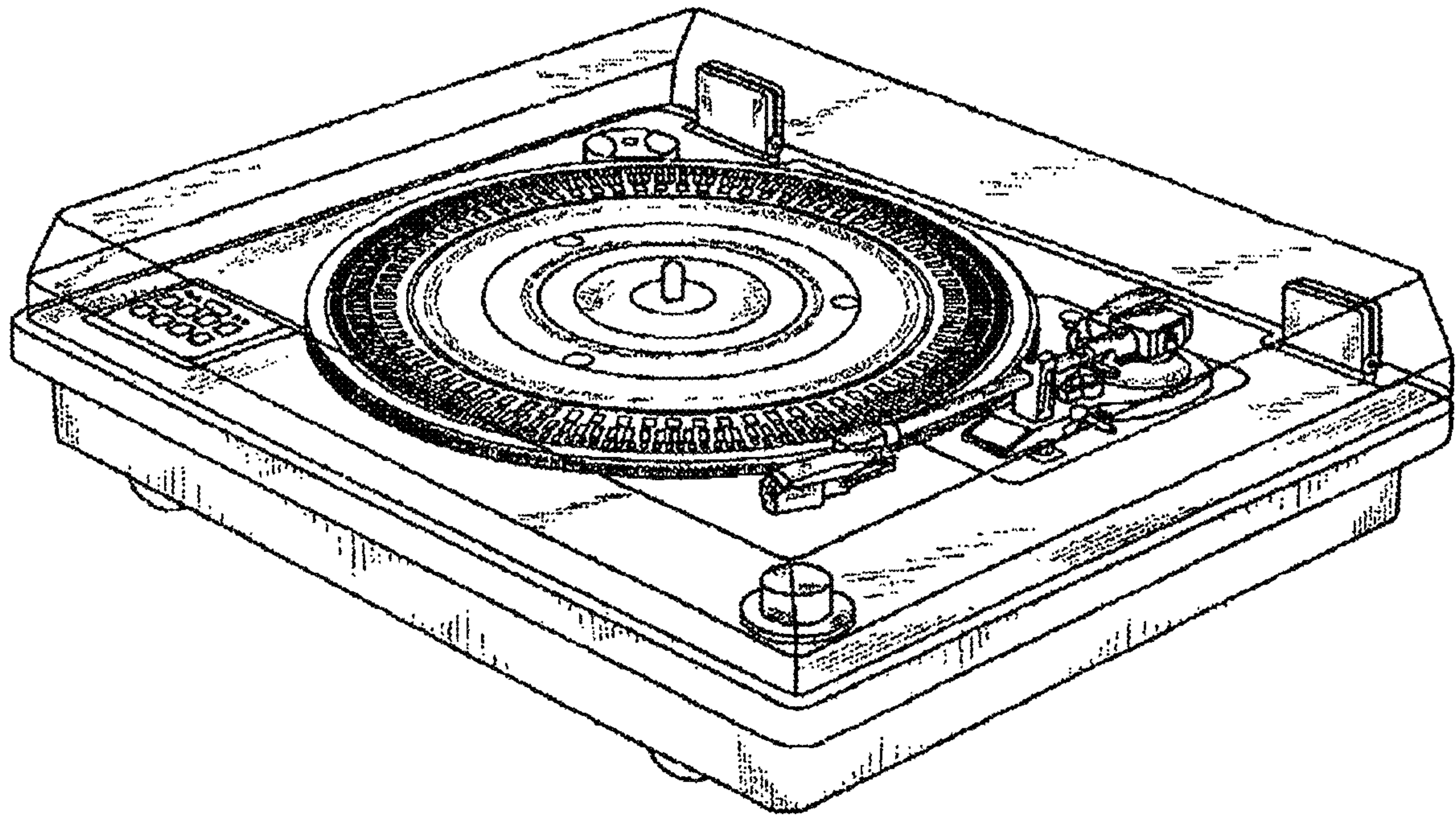


FIG.1

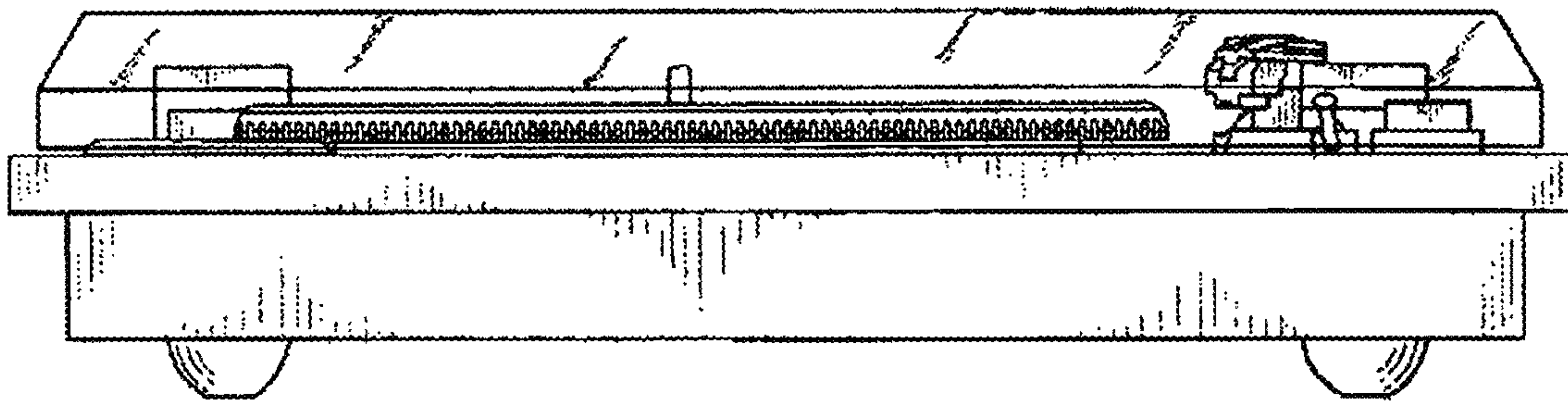


FIG.2

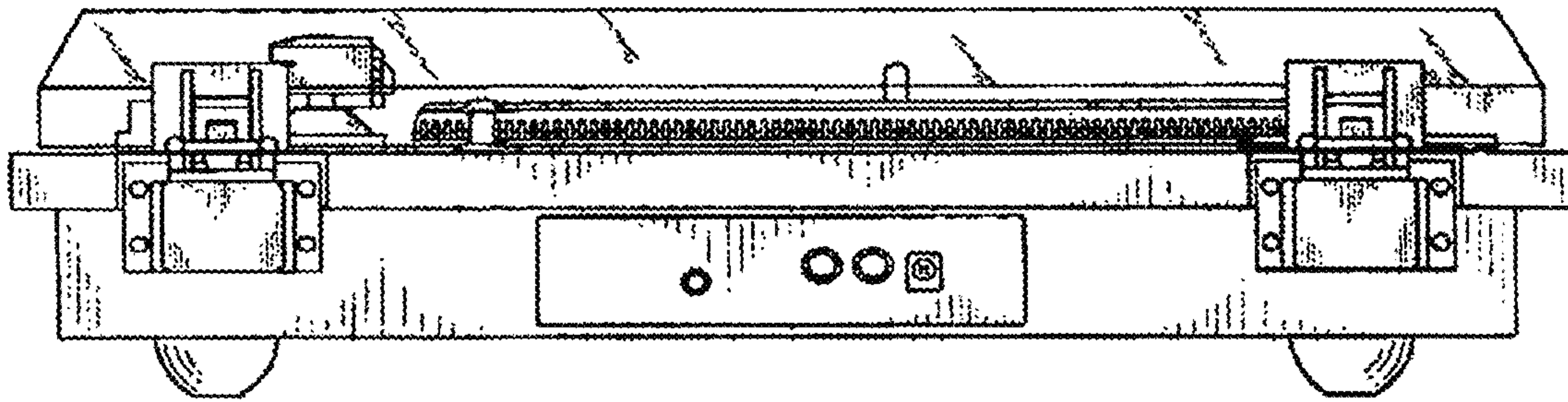


FIG.3

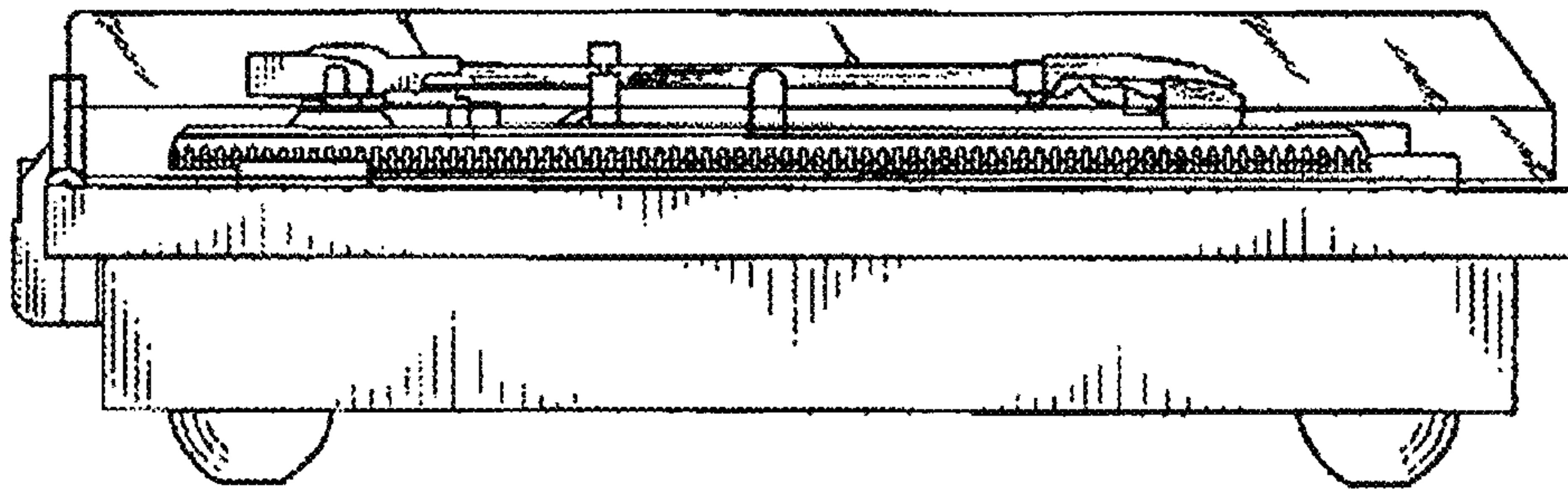


FIG.4

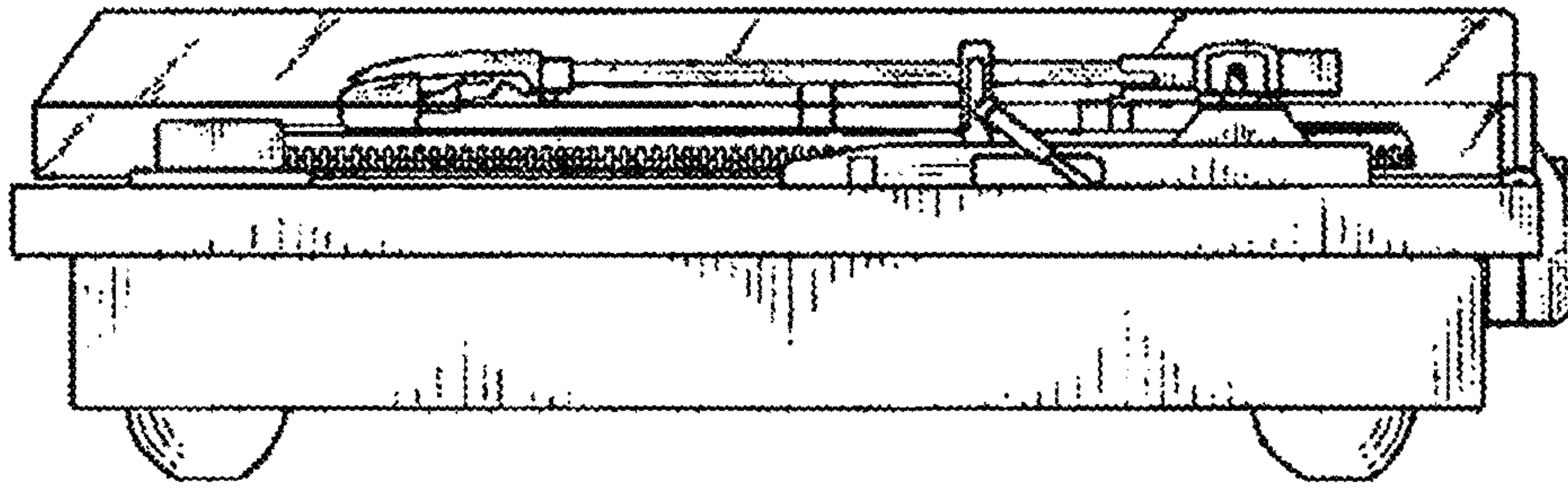


FIG.5

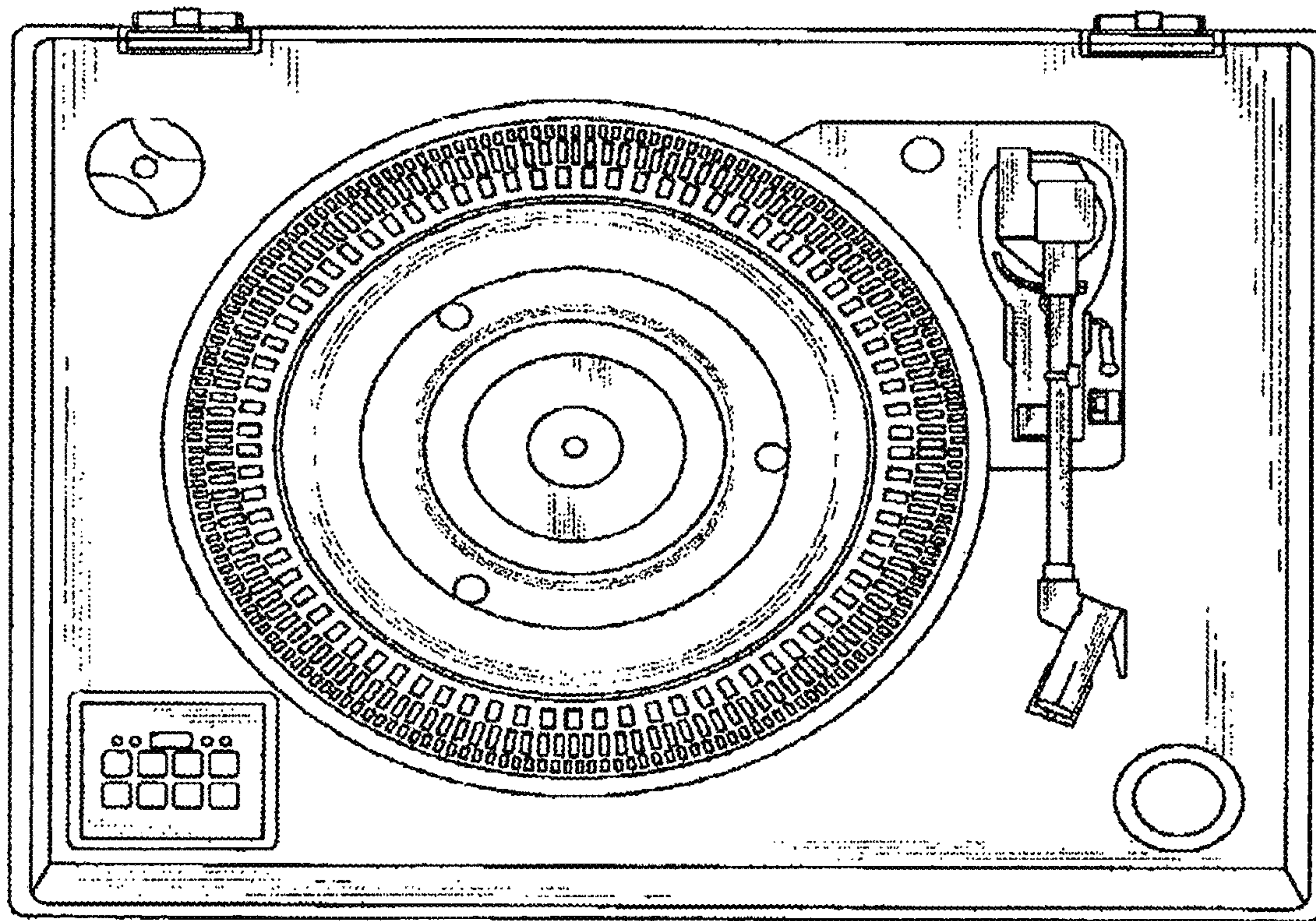


FIG.6

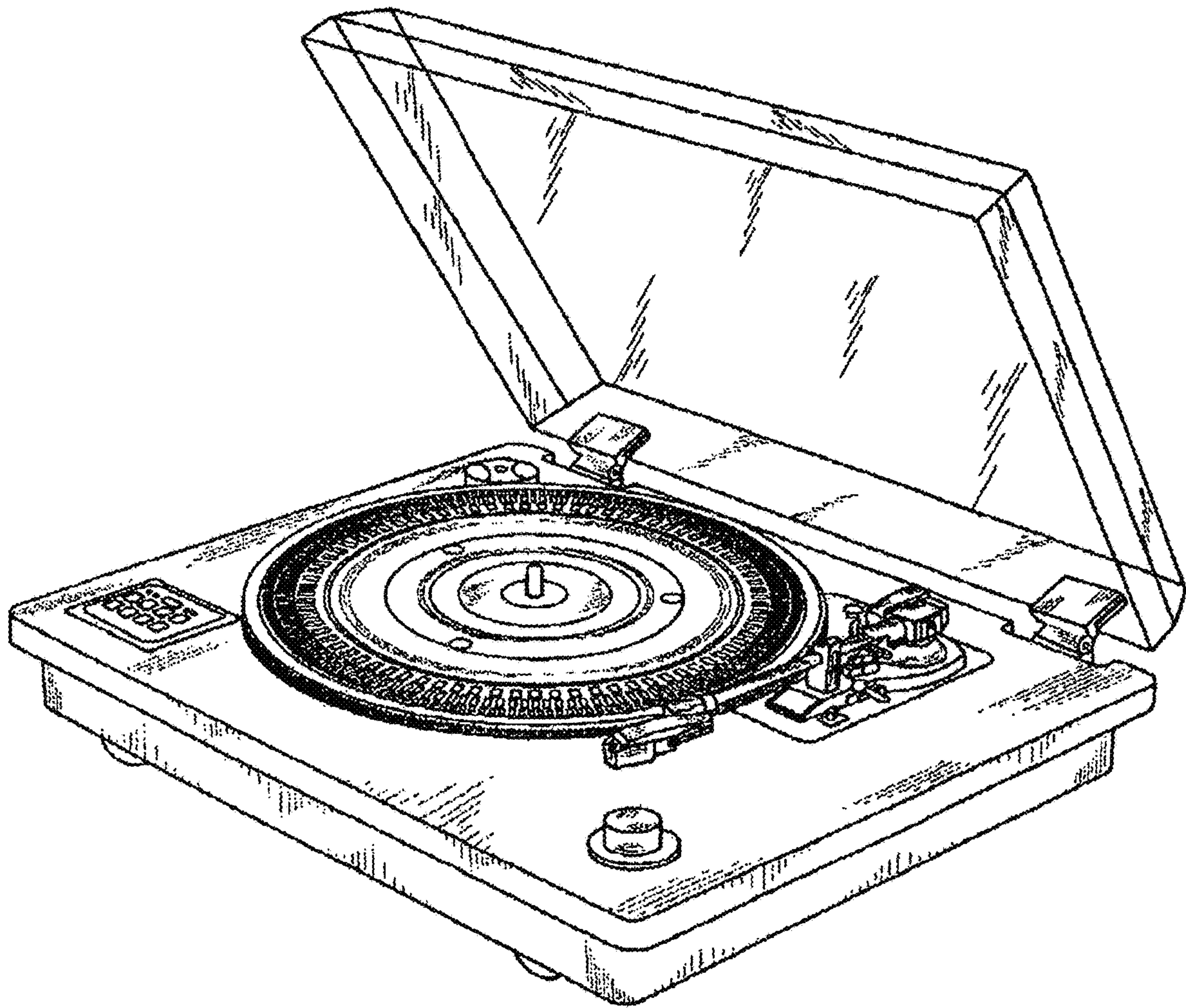


FIG. 7