



US00D887384S

(12) **United States Design Patent**
Chapman et al.

(10) **Patent No.:** **US D887,384 S**

(45) **Date of Patent:** **** Jun. 16, 2020**

(54) **ASSEMBLY**

(71) Applicant: **Topcon Positioning Systems, Inc.**,
Livermore, CA (US)

(72) Inventors: **Angus Chapman**, Brisbane (AU);
Craig Roughan, Brisbane (AU)

(73) Assignee: **Topcon Positioning Systems, Inc.**,
Livermore, CA (US)

(**) Term: **15 Years**

(21) Appl. No.: **29/663,843**

(22) Filed: **Sep. 19, 2018**

(51) **LOC (12) Cl.** **14-03**

(52) **U.S. Cl.**
USPC **D14/188**

(58) **Field of Classification Search**
USPC D10/46; D14/188-198
CPC H04R 1/02; H04R 1/023; H04R 27/00;
H04R 1/021; H04R 1/025; H04R 1/026;
H04R 1/028; H04R 1/34; H04R 1/40;
H04R 1/323; H04R 1/403; H04R 1/345;
H04R 1/2803; H04R 1/2834; H04R 5/02;
H04R 9/06; H04R 2201/021; H04R
2400/00; H04R 2400/07; H04R 2400/03;
H04R 5/033; H04R 5/0335; G06F 3/00;
G06F 1/1688; B60R 11/0217; G10K
9/22; G10K 11/004; H03F 1/327; H04N
5/642

See application file for complete search history.

(56) **References Cited**

U.S. PATENT DOCUMENTS

D730,866 S * 6/2015 Aihсан D14/188
D741,285 S * 10/2015 Boynton D14/188

OTHER PUBLICATIONS

Technical Data Sheet, "UR-1 UHF/FH915 External Radio," Topcon Corporation, 1027032-01 Revision A, Sep. 2019, 6 pgs.
Quick Reference Card, "UR-1 Radio Receiver," Topcon Corporation, P/N 1037302-01 Rev. 1, 2019, 8 pgs.

* cited by examiner

Primary Examiner — Antoine Duval Davis

(74) *Attorney, Agent, or Firm* — Chiesa Shahinian &
Giantomasi PC

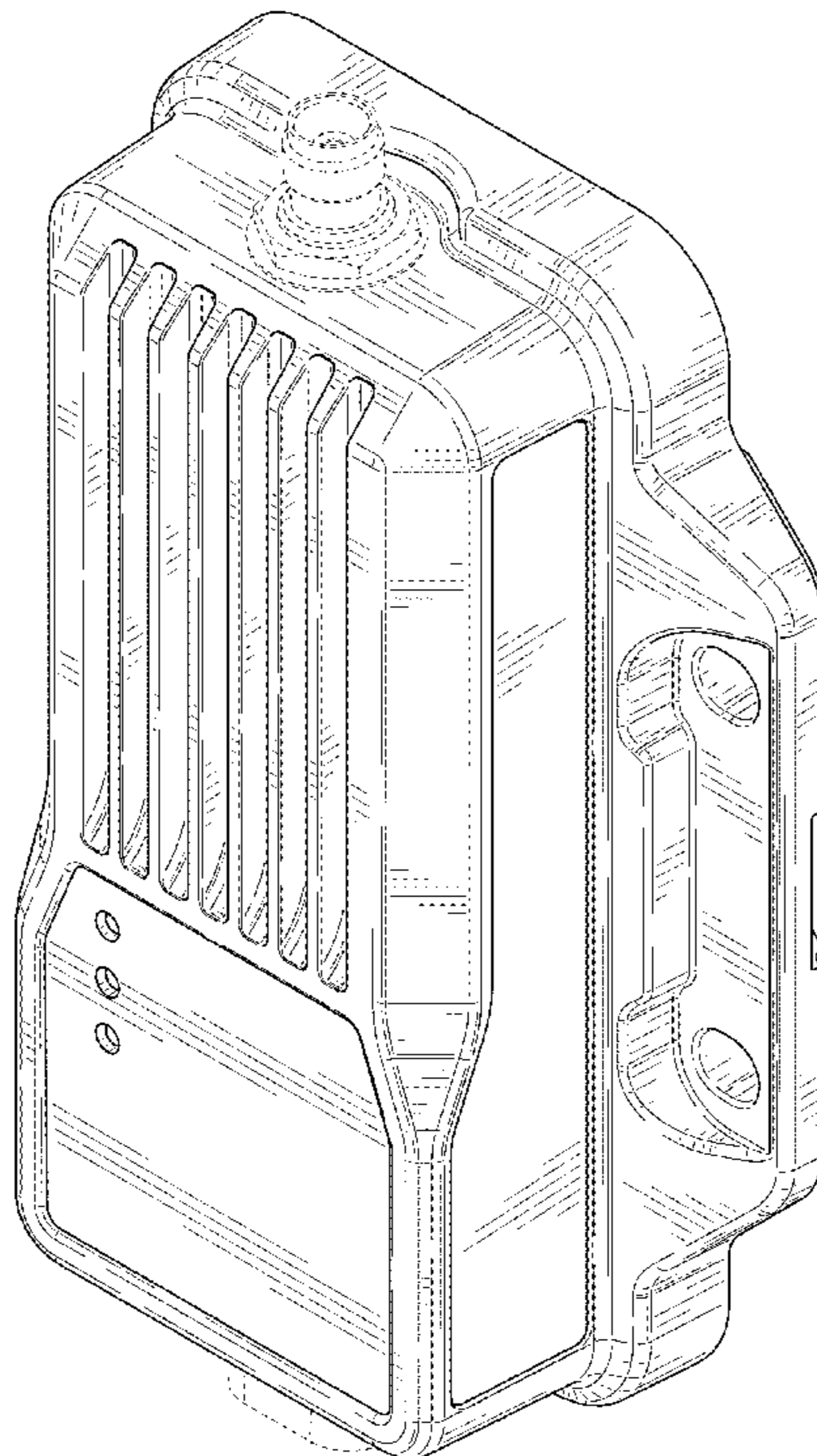
(57) **CLAIM**

The ornamental design for an assembly, as shown and described.

DESCRIPTION

FIG. 1 is a front perspective view of an assembly according to our design;
FIG. 2 is a front view thereof;
FIG. 3 is a rear view thereof;
FIG. 4 is a left side view thereof;
FIG. 5 is a right side view thereof;
FIG. 6 is a top view thereof; and,
FIG. 7 is a bottom view thereof.
The broken lines shown in the drawings depict environment that forms no part of the claimed design.

1 Claim, 5 Drawing Sheets



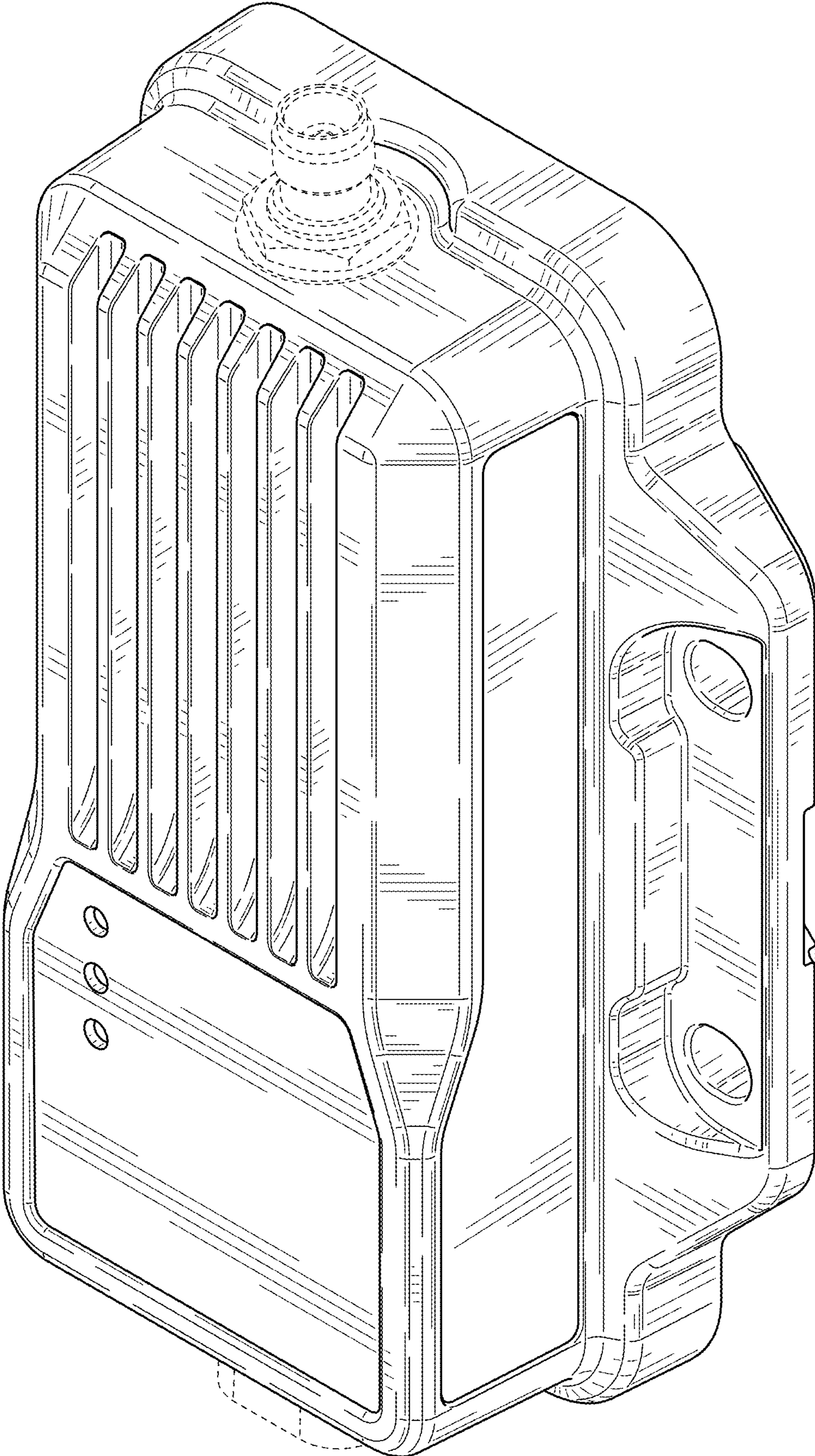


FIG. 1

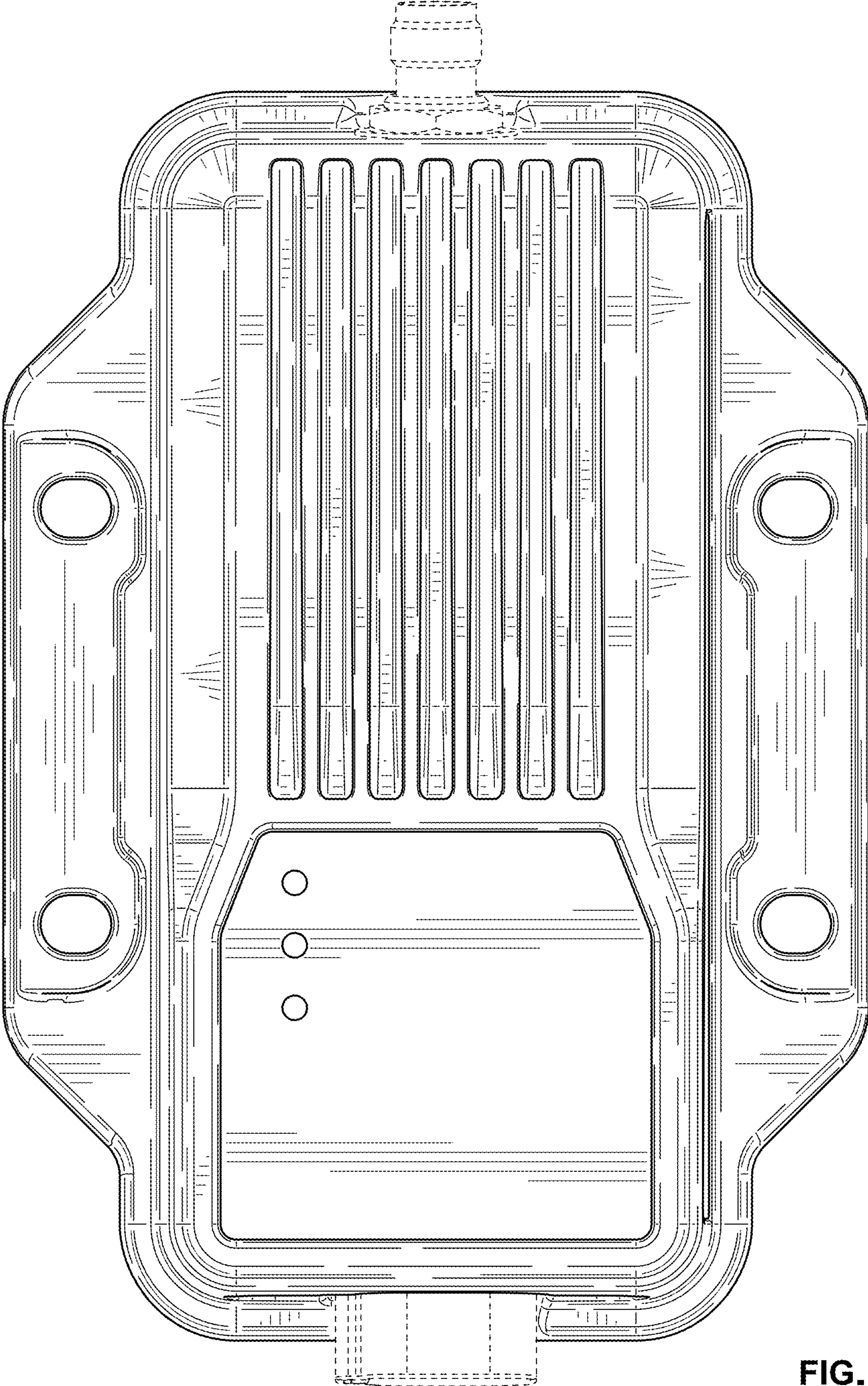


FIG. 2

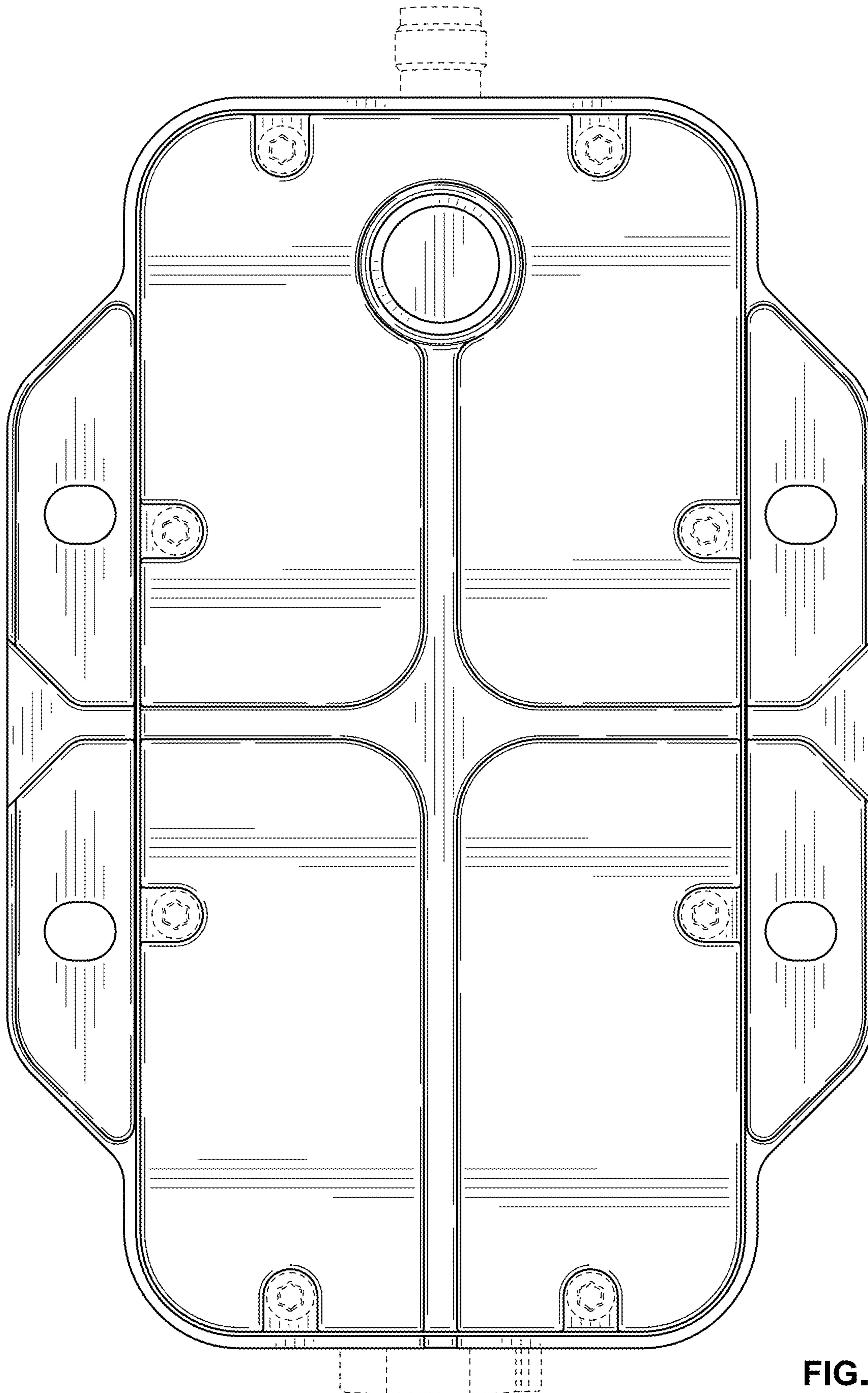


FIG. 3

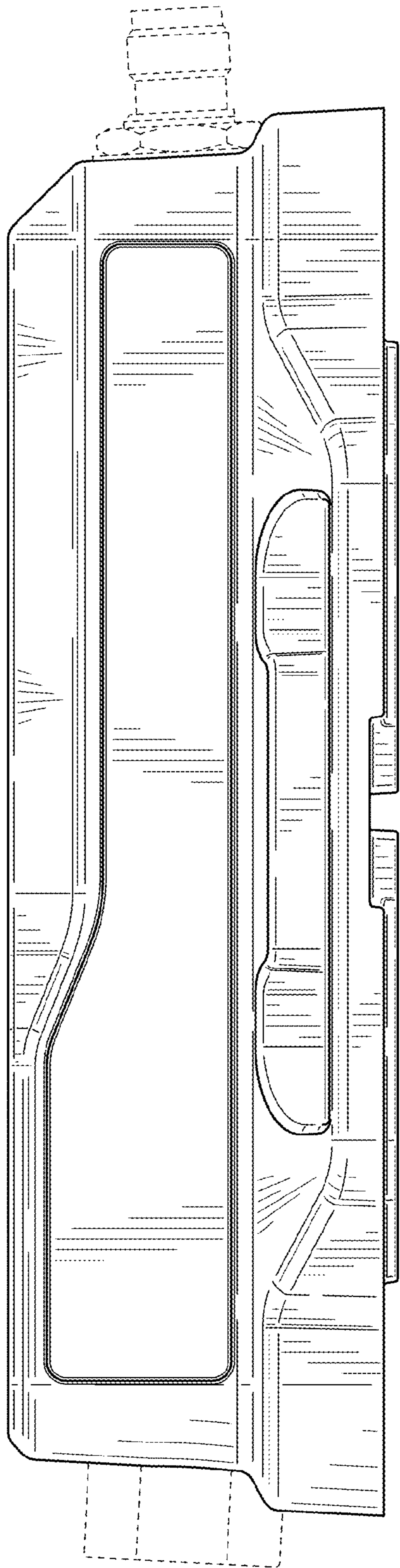


FIG. 4

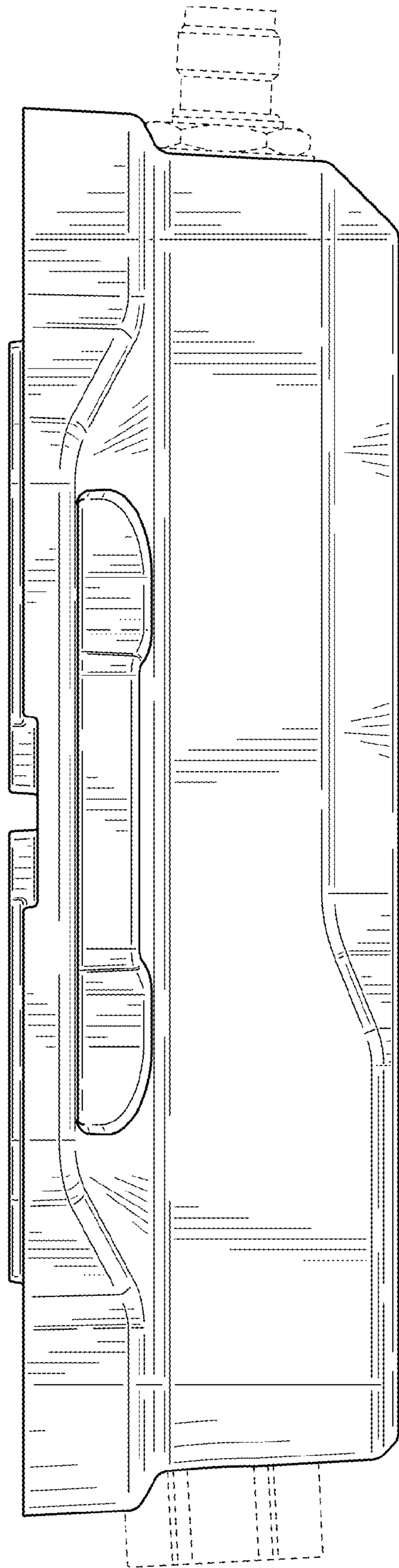


FIG. 5

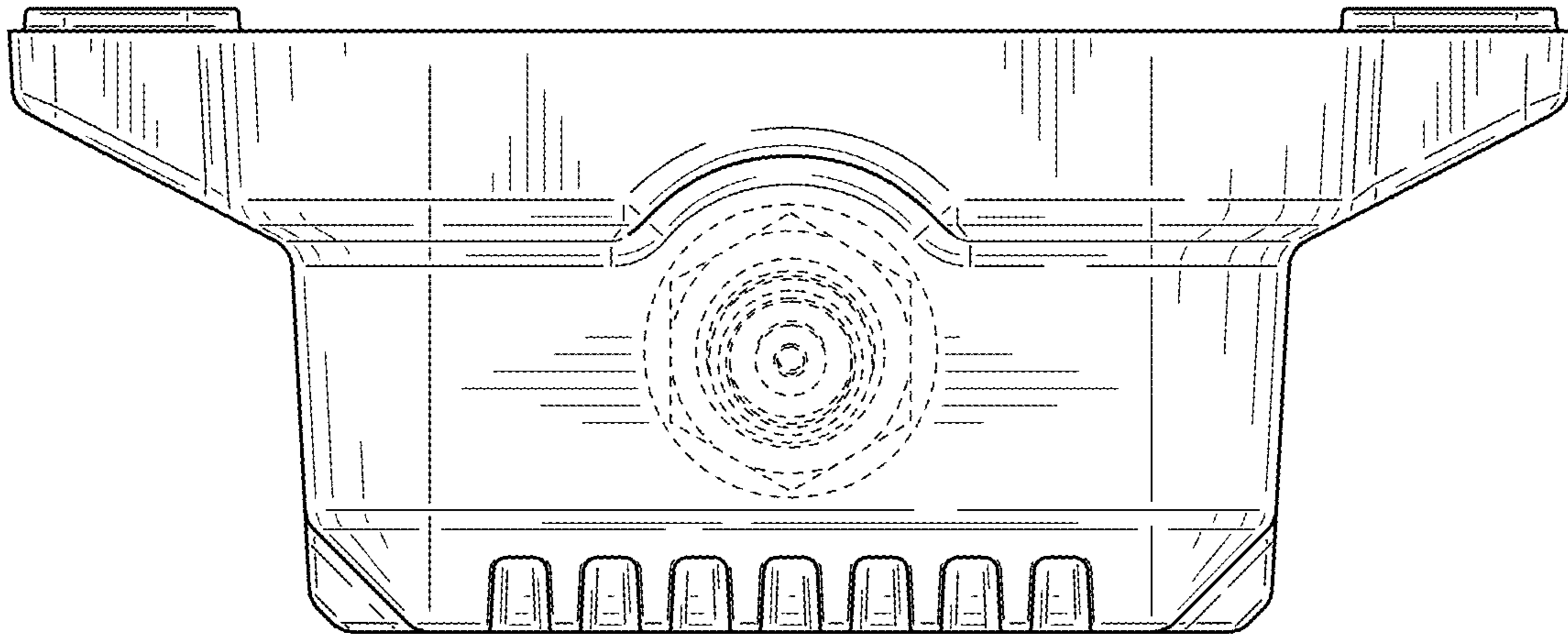


FIG. 6

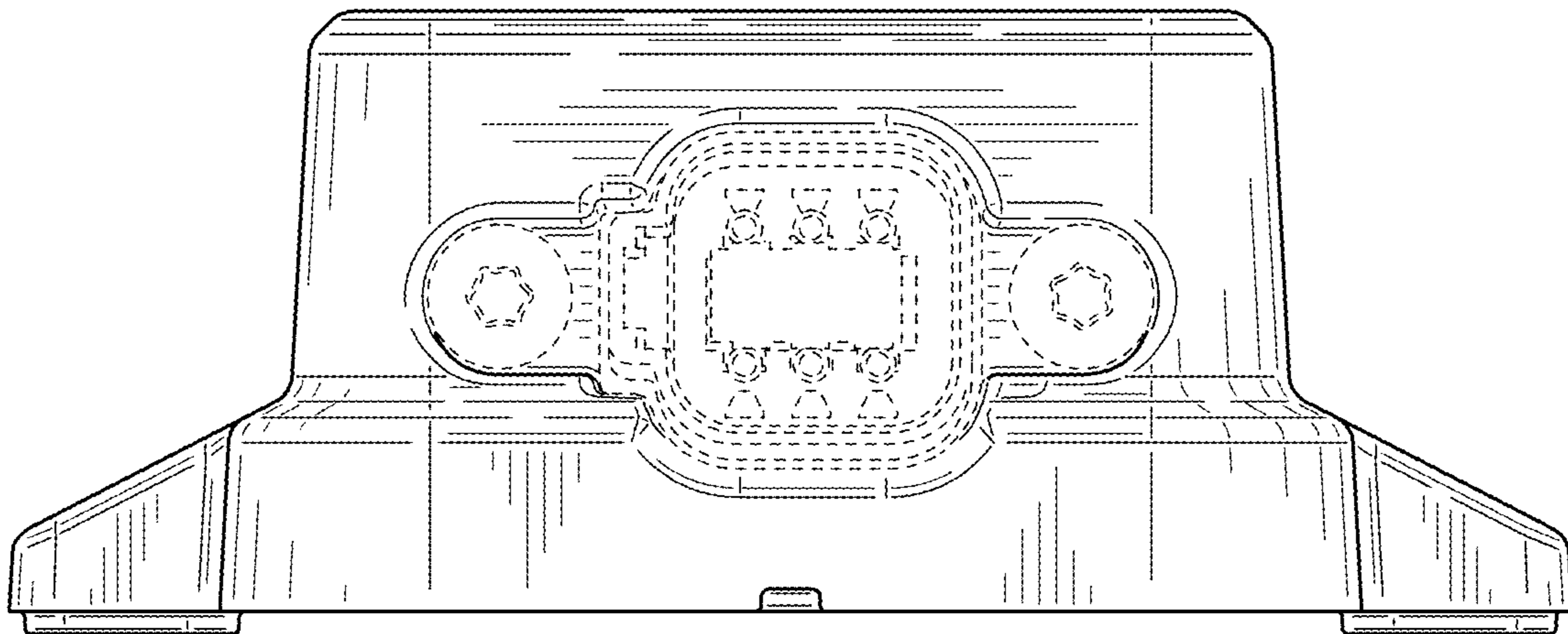


FIG. 7