



US00D887383S

(12) **United States Design Patent**
Wang et al.

(10) **Patent No.:** **US D887,383 S**
(45) **Date of Patent:** **** Jun. 16, 2020**

- (54) **STAND CONNECTING PORT HAVING SPEAKER FOR ELECTRONIC DEVICE**
- (71) Applicants: **HON HAI PRECISION INDUSTRY CO., LTD.**, New Taipei (TW);
ShenZhen Hongfei Precision Technology Co., Ltd., Shenzhen (CN)
- (72) Inventors: **Wen-Pin Wang**, New Taipei (TW);
Shih-Hong Fu, New Taipei (TW);
Li-Wei Chen, New Taipei (TW);
Hsueh-Ho Han, New Taipei (TW)
- (73) Assignees: **ShenZhen Hongfei Precision Technology Co., Ltd.**, Shenzhen (CN);
HON HAI PRECISION INDUSTRY CO., LTD., New Taipei (TW)

D587,238 S *	2/2009	Xie	D14/172
D597,520 S *	8/2009	Shiono	D14/171
D638,022 S *	5/2011	Kasuga	D14/239
D650,771 S *	12/2011	Chen	D14/216
D700,168 S *	2/2014	Bolton	D14/216
D728,536 S *	5/2015	Nada	D14/239
D752,024 S *	3/2016	Kachwalla	D14/216
D758,375 S *	6/2016	Won	D14/451
D819,612 S *	6/2018	Trachtenberg	D14/239
D835,609 S *	12/2018	Kim	D14/216
D836,581 S *	12/2018	Andresen	D14/239
D860,167 S *	9/2019	Zhu	D14/216

* cited by examiner

Primary Examiner — Sandra L Morris

(74) *Attorney, Agent, or Firm* — ScienBiziP, P.C.

(**) Term: **15 Years**

(21) Appl. No.: **29/676,021**

(22) Filed: **Jan. 8, 2019**

(51) **LOC (12) Cl.** **14-03**

(52) **U.S. Cl.**
USPC **D14/172**; D14/451; D14/239

(58) **Field of Classification Search**
USPC D14/496–511, 168–172, 188–196,
D14/203.1–203.8, 204, 207, 209.1–216,
D14/217, 239, 447, 451–452
CPC B60K 35/00; B60K 37/00; B60K 37/02;
B60K 37/06; B60R 11/02; G11B 17/02;
G11B 17/04

See application file for complete search history.

(56) **References Cited**

U.S. PATENT DOCUMENTS

D568,144 S *	5/2008	Wohlford	D14/451
D586,780 S *	2/2009	Skurdal	D14/211

(57) **CLAIM**

The ornamental design for a stand connecting port having speaker for electronic device, as shown and described.

DESCRIPTION

FIG. 1 is a front perspective view of a stand connecting port having a speaker for an electronic device showing the claimed design;

FIG. 2 is a rear perspective view of the stand connecting port;

FIG. 3 is a front plan view of the stand connecting port;

FIG. 4 is a rear plan view of the stand connecting port;

FIG. 5 is a left side elevation view of the stand connecting port;

FIG. 6 is a right side elevation view of the stand connecting port;

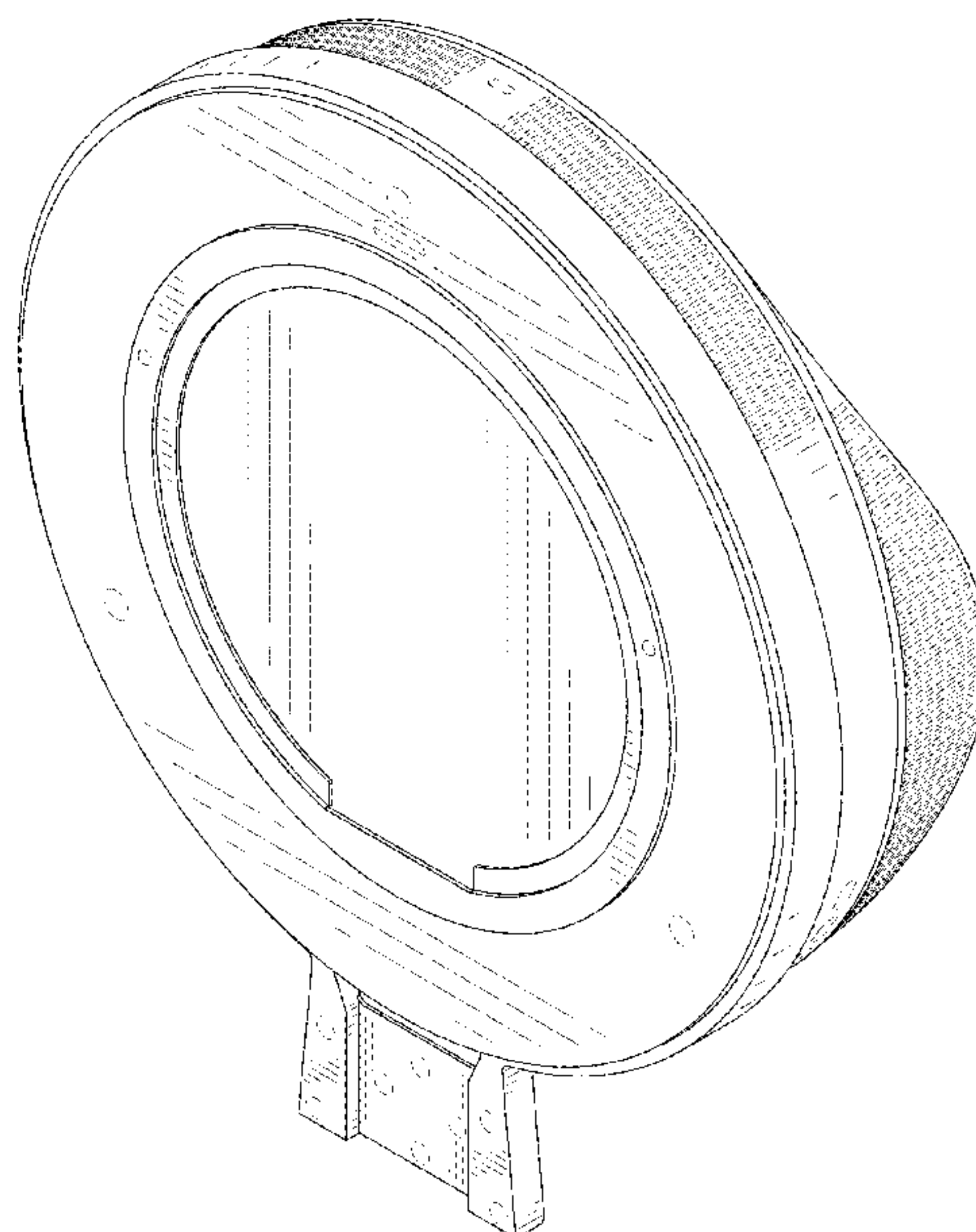
FIG. 7 is a top view of the stand connecting port;

FIG. 8 is a bottom view of the stand connecting port; and,

FIG. 9 is a rear perspective view of the stand connecting port as it appears when connected to a display on a stand.

The broken lines shown in the drawings show unclaimed subject matter only and form no part of the claimed design.

1 Claim, 9 Drawing Sheets



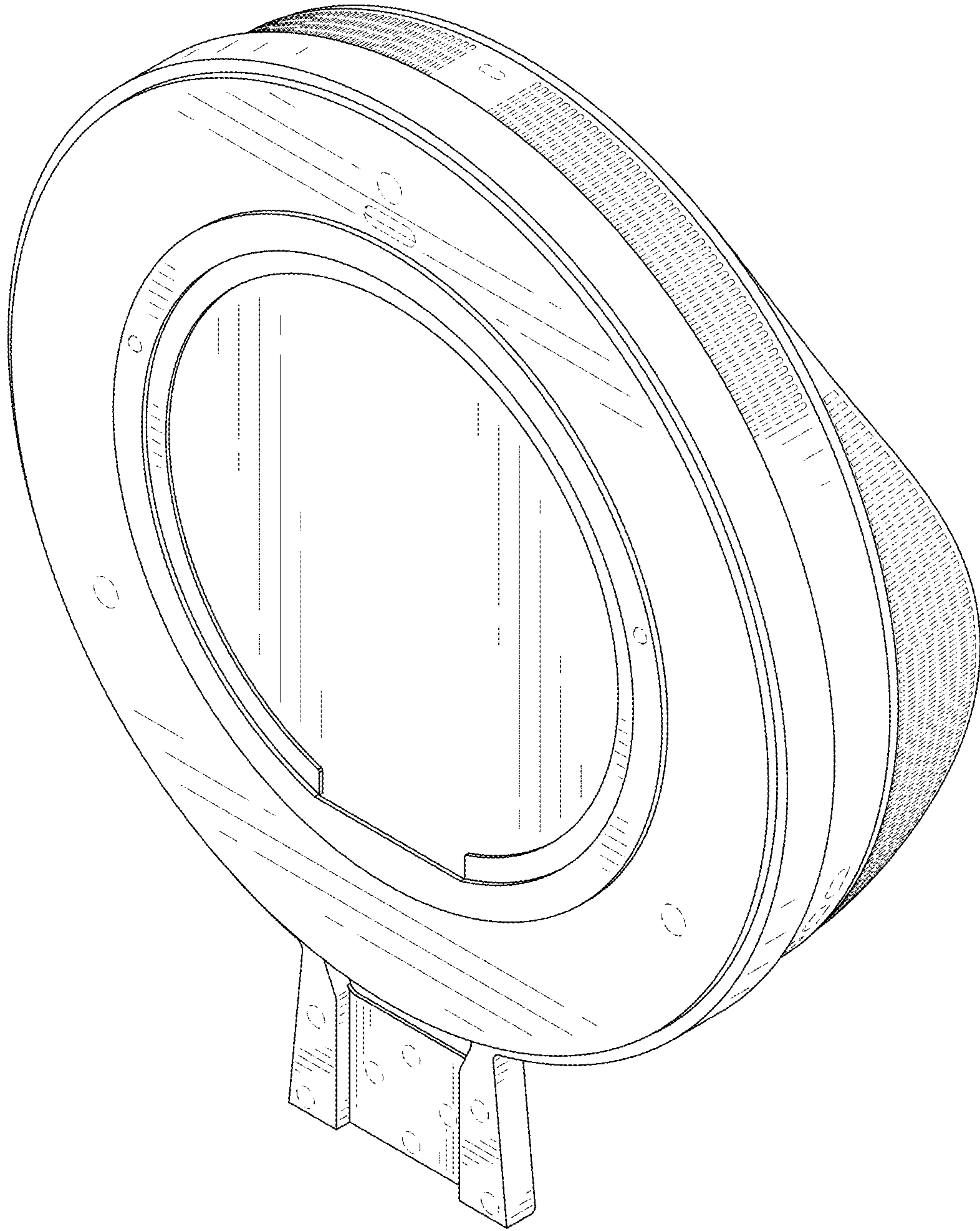


FIG. 1

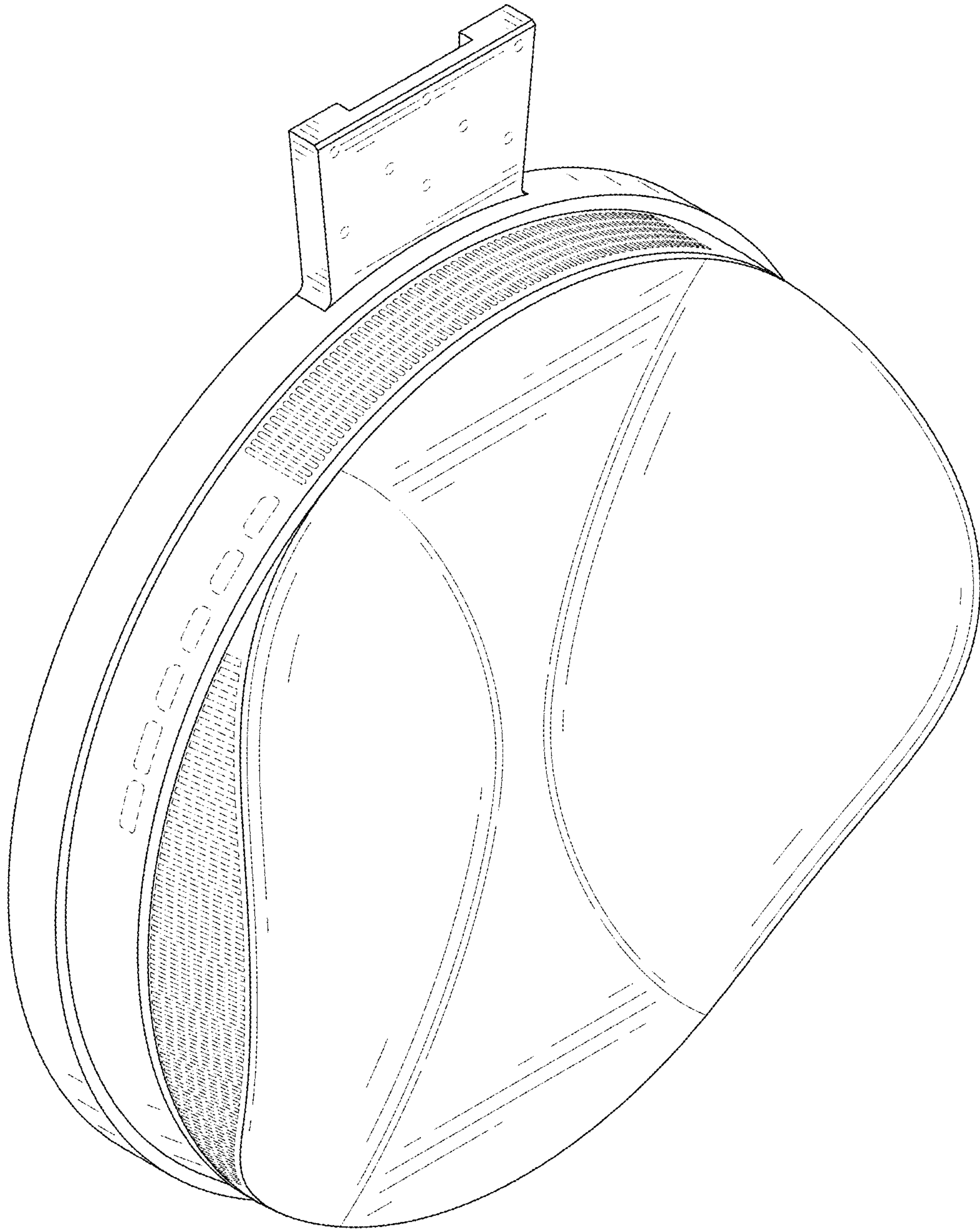


FIG. 2

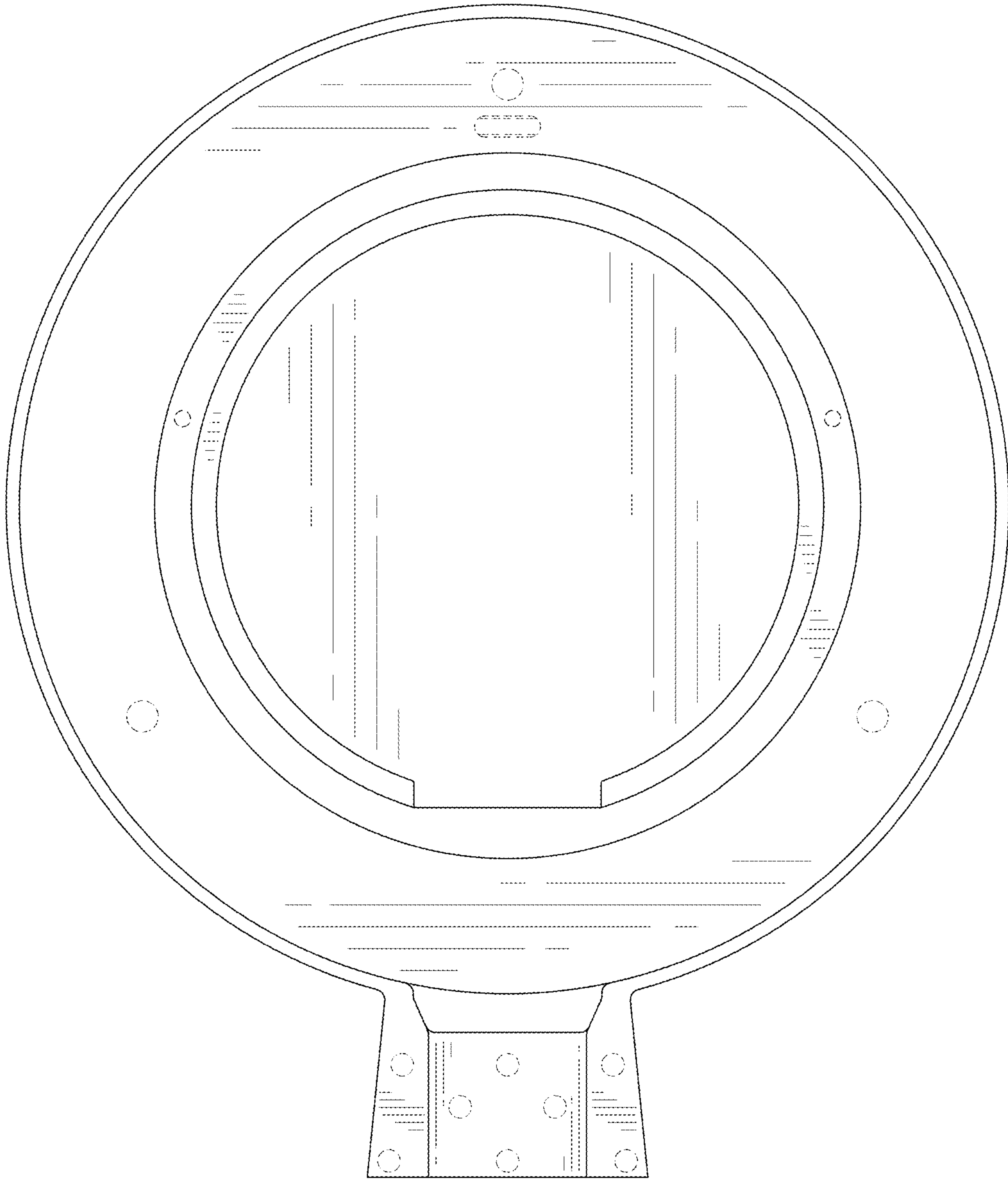


FIG. 3

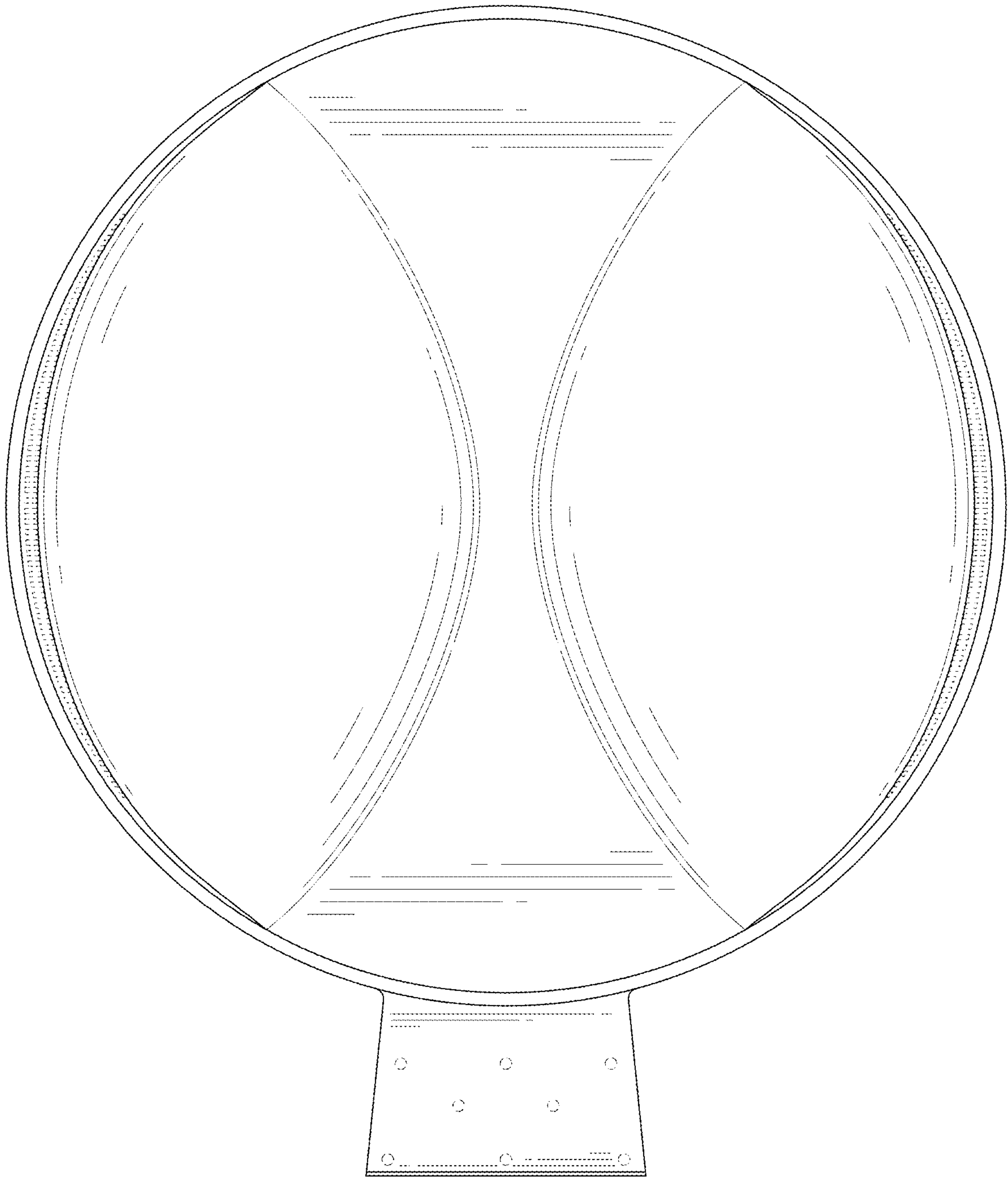


FIG. 4

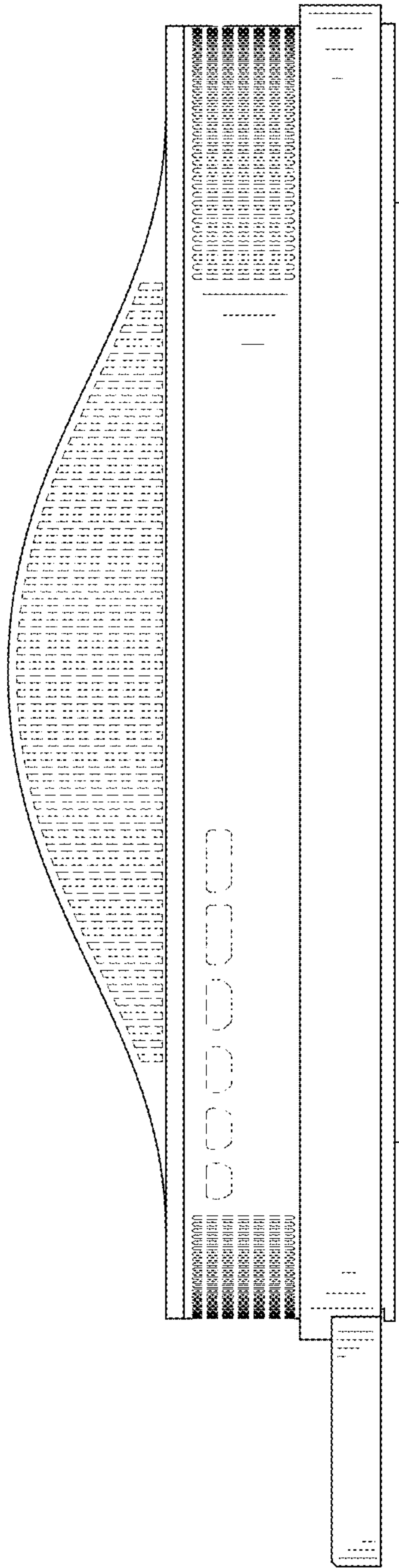


FIG. 5

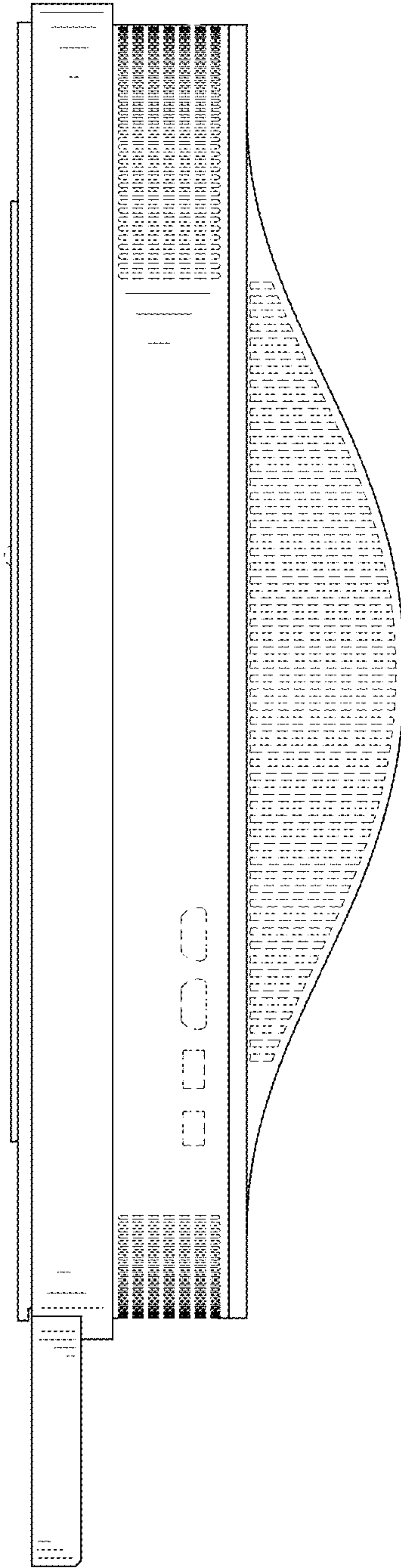


FIG. 6

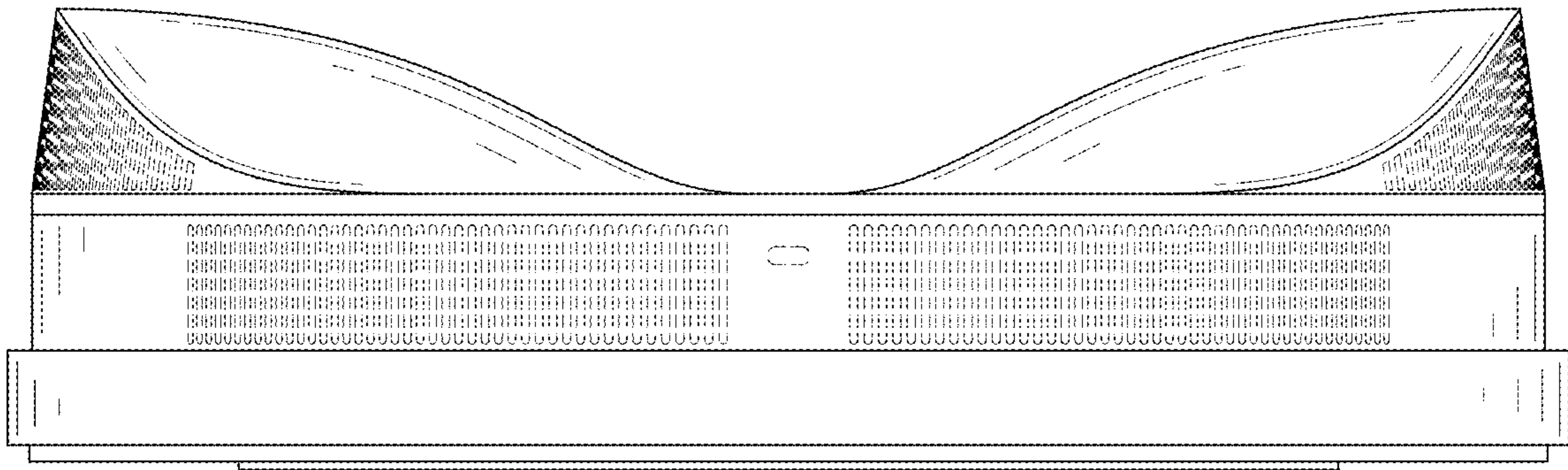


FIG. 7

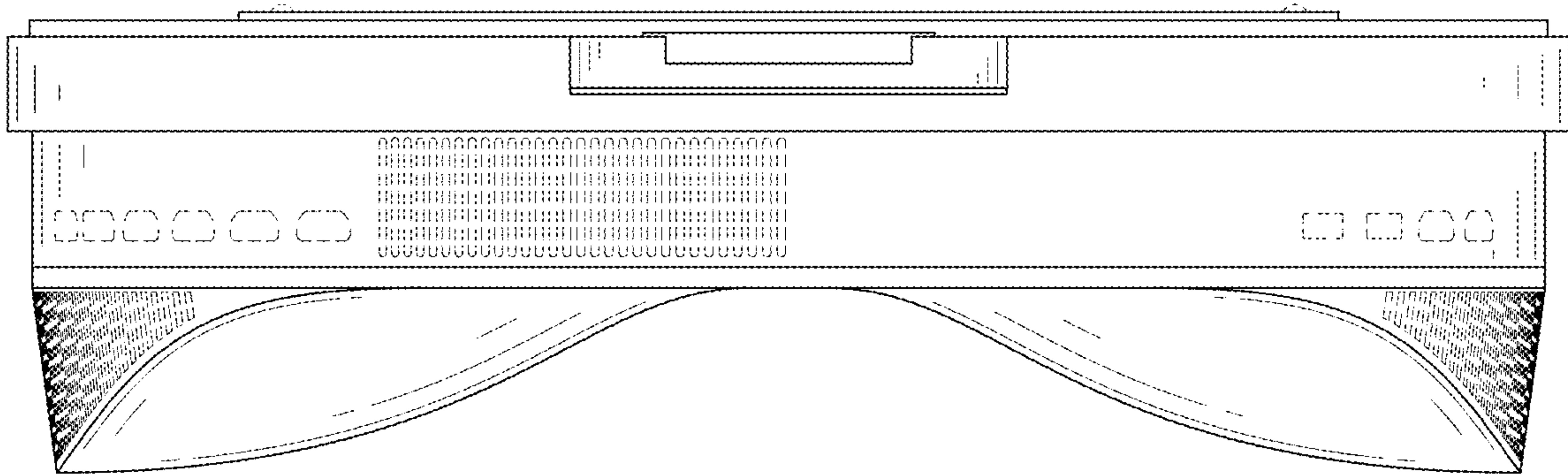


FIG. 8

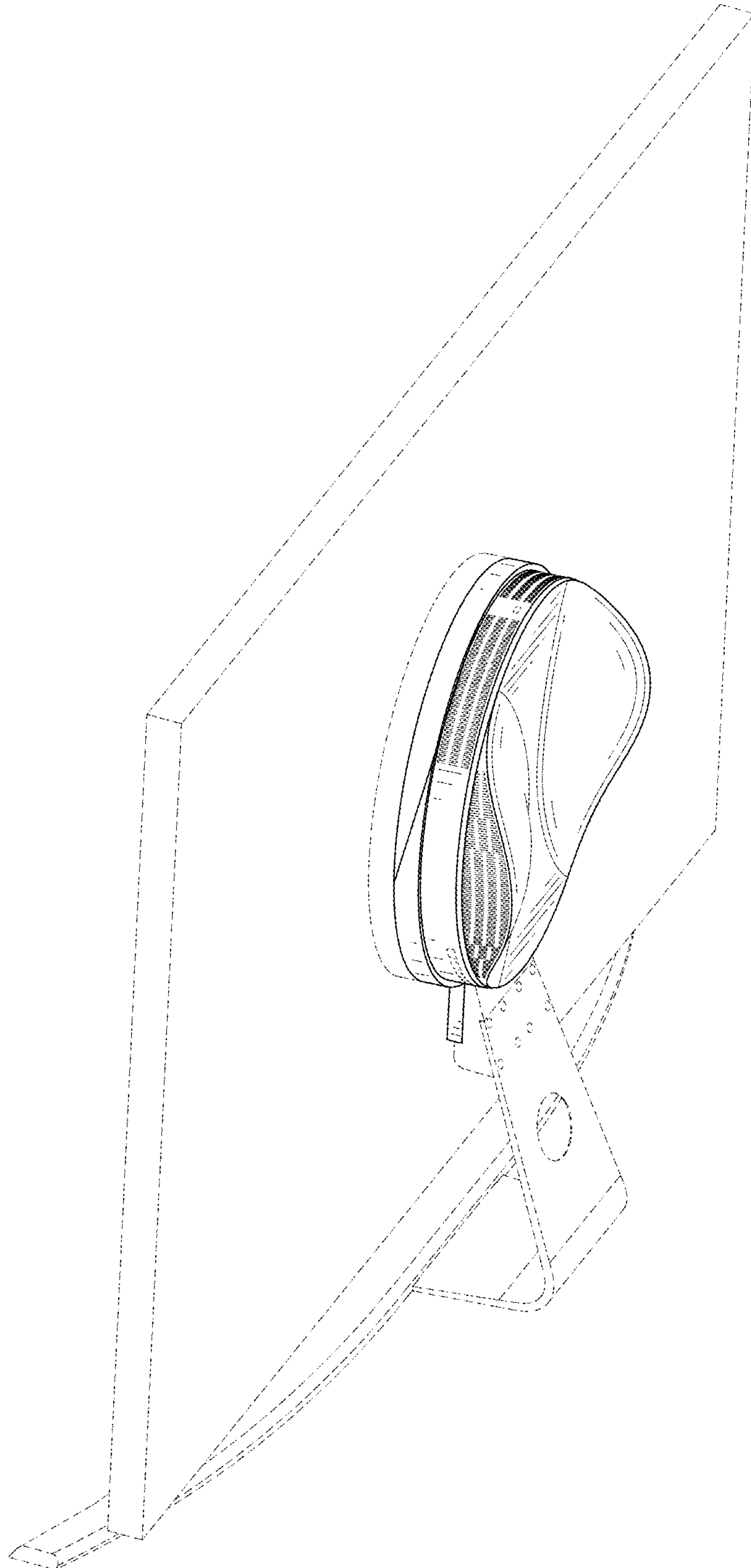


FIG. 9