



US00D887380S

(12) **United States Design Patent** (10) **Patent No.:** **US D887,380 S**
Lee et al. (45) **Date of Patent:** **** Jun. 16, 2020**

(54) **TELEVISION RECEIVER**

(71) Applicant: **LG ELECTRONICS INC.**, Seoul (KR)
(72) Inventors: **Minjae Lee**, Seoul (KR); **Seokkyu Kang**, Seoul (KR); **Seonkyu Kim**, Seoul (KR); **Yunjoo Kim**, Seoul (KR); **Jongho Kim**, Seoul (KR); **Hyunbyung Cha**, Seoul (KR)
(73) Assignee: **LG Electronics Inc.**, Seoul (KR)

(**) Term: **15 Years**

(21) Appl. No.: **35/506,291**

(22) Filed: **Jul. 5, 2018**

(80) **Hague Agreement Data**

Int. Filing Date: **Jul. 5, 2018**
Int. Reg. No.: **DM/102666**
Int. Reg. Date: **Jul. 5, 2018**
Int. Reg. Pub. Date: **Jan. 11, 2019**

(30) **Foreign Application Priority Data**

Jan. 5, 2018 (KR) 30-2018-0000982

(51) **LOC (12) Cl.** **14-03**

(52) **U.S. Cl.**
USPC **D14/126**

(58) **Field of Classification Search**
USPC D6/300, 308, 310, 642, 643, 650.1, D6/653.15, 654.15, 657, 661, 675;
(Continued)

(56) **References Cited**

U.S. PATENT DOCUMENTS

D179,404 S * 12/1956 Alken D14/126
D438,402 S * 3/2001 Walsh D19/75
(Continued)

OTHER PUBLICATIONS

CES 2019: TV Set Maker LG Makes its Sets Disappear; Publication date Jan. 8, 2019, [online][site visited Jul. 10, 2019] URL: https://www.ecnmag.com/news/2019/01/ces-2019-tv-set-maker-lg-makes-its-sets-disappear (Year: 2019).*

Primary Examiner — George D. Kirschbaum
Assistant Examiner — L. A. Grabenstetter
(74) *Attorney, Agent, or Firm* — Birch, Stewart, Kolasch & Birch, LLP

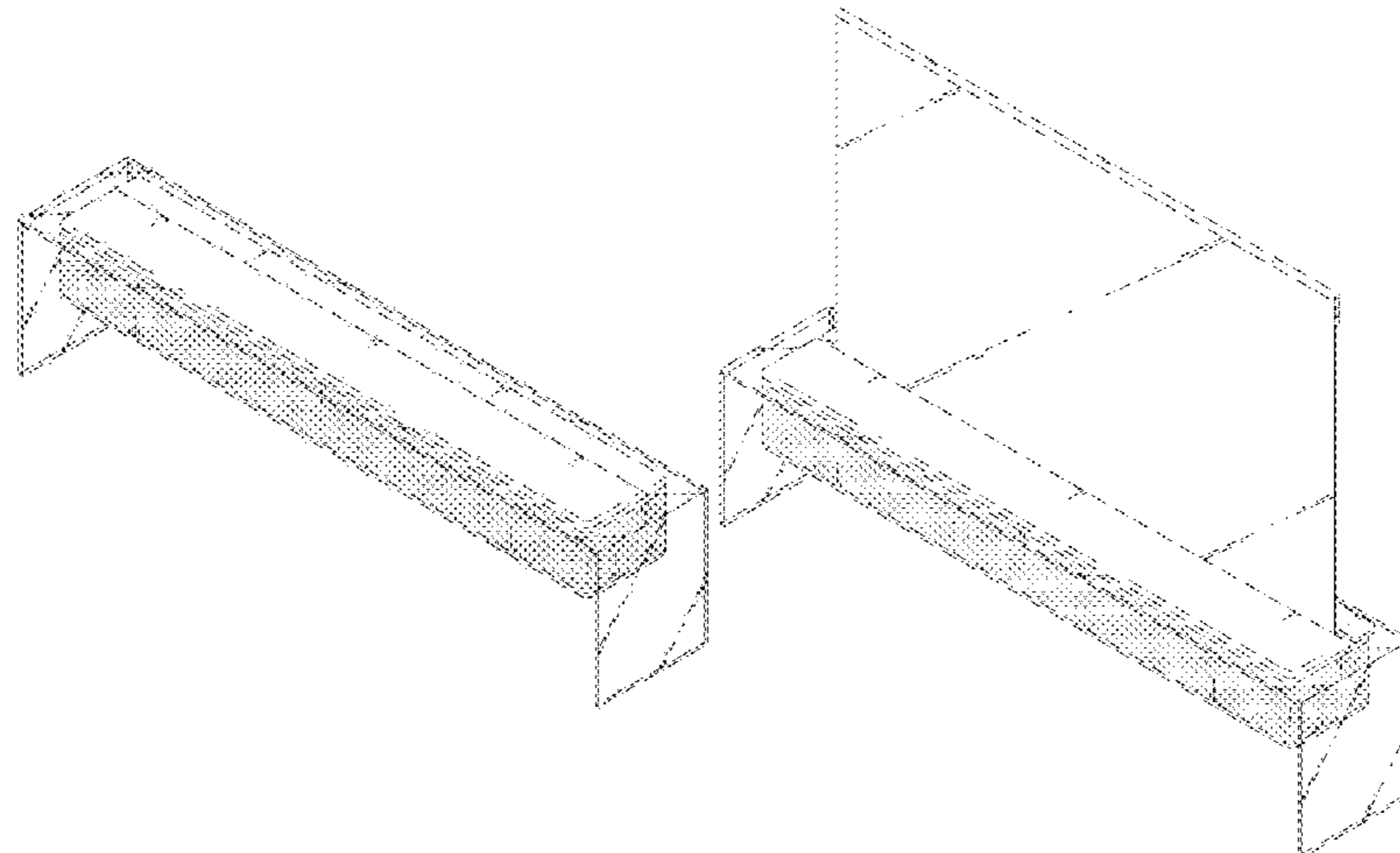
(57) **CLAIM**

The ornamental design for a television receiver, as shown and described.

DESCRIPTION

- 1. Television receiver
- 1.1 : Front Top Perspective, shown with the display in a fully retracted position
- 1.2 : Front
- 1.3 : Back
- 1.4 : Left
- 1.5 : Top
- 1.6 : Bottom
- 1.7 : Back Top Perspective
- 1.8 : Front Top Perspective 2, shown with the foldable shelf in an open position
- 1.9 : Front Bottom Perspective, shown in an example of use with detachable storage
- 1.10 : Front Top Perspective 3, shown with cover opened and display in a partially extended transitional position
- 1.11 : Front Top Perspective 4, shown with the display in a fully extended position
- 1.12 : Front 2
- 1.13 : Back 2
- 1.14 : Left 2
- 1.15 : Top 2
- 1.16 : Bottom 2
- 1.17 : Front Top Perspective 5, shown with display in a partially retracted transitional position
- 1.18 : Front Top Perspective 6, shown with display in a partially retracted transitional position

(Continued)



The broken lines depict portions of the television receiver that form no part of the claimed design; the right views are omitted because they are mirror images of the left views.

1 Claim, 18 Drawing Sheets

(58) **Field of Classification Search**

USPC D14/125, 126, 127, 128, 129, 132, 336,
D14/341, 373, 374, 375, 376, 377
CPC G06F 1/1601; G06F 1/1605; G06F 1/162
See application file for complete search history.

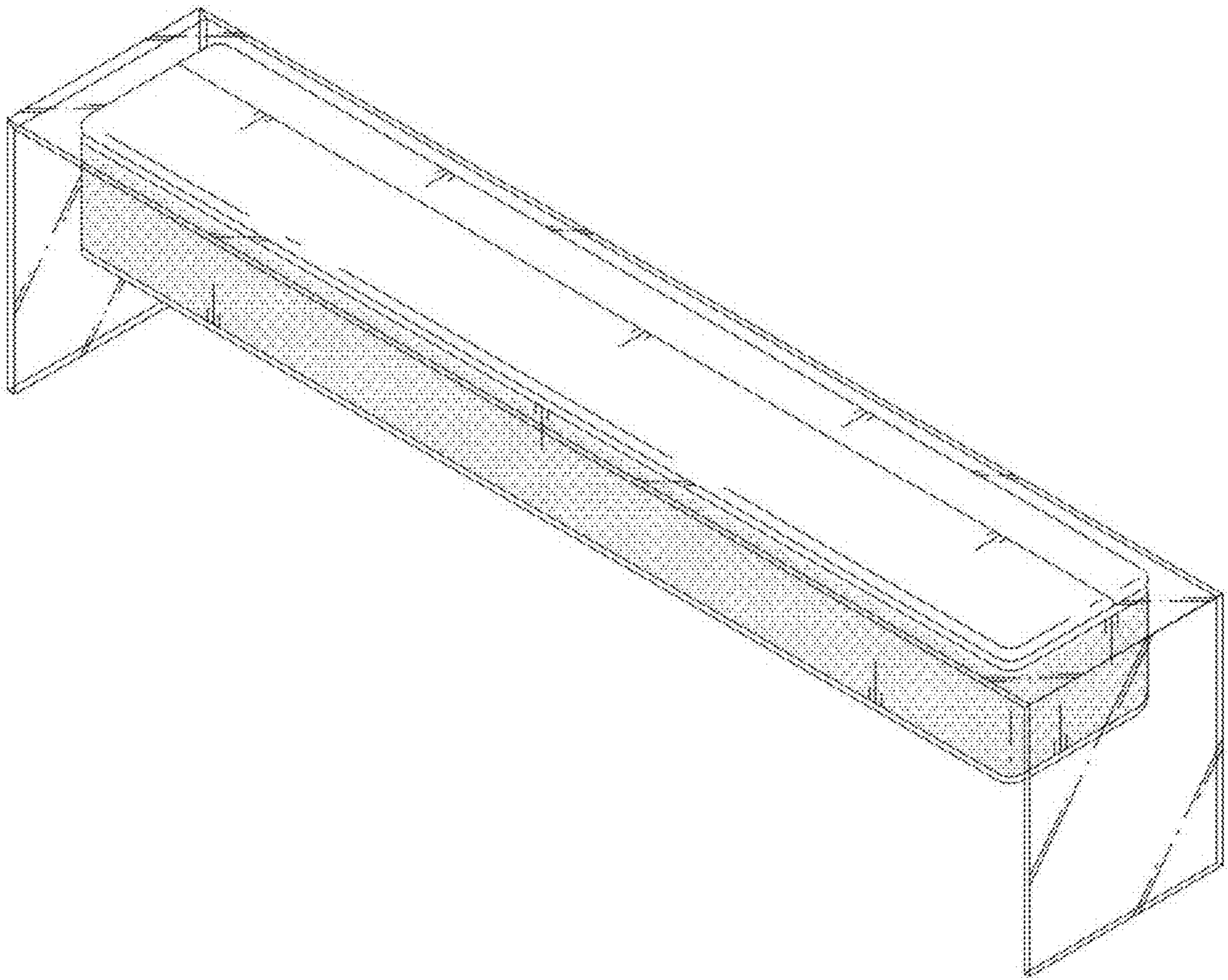
(56) **References Cited**

U.S. PATENT DOCUMENTS

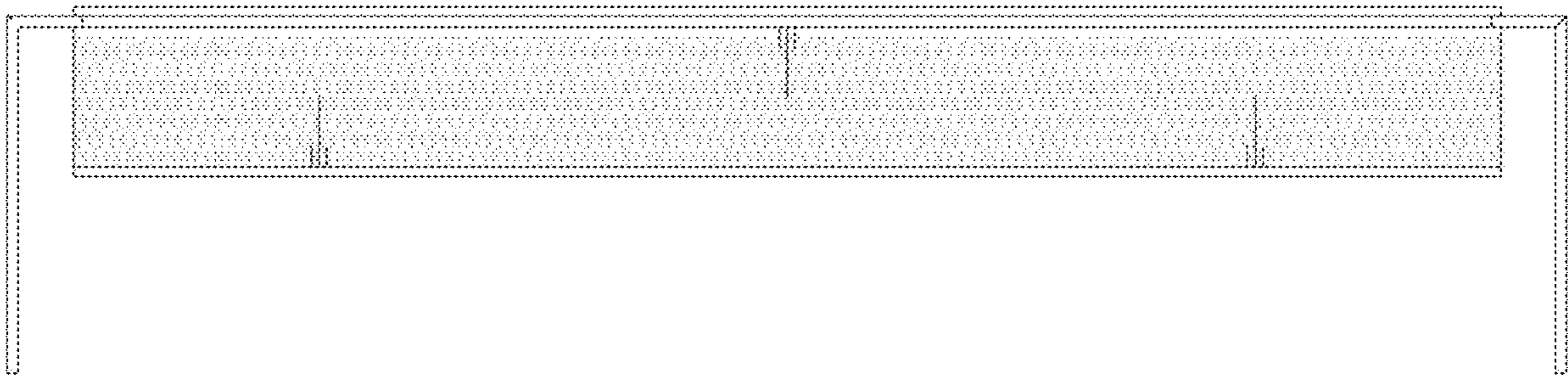
D540,275	S	*	4/2007	Lewis	D14/126
D561,491	S	*	2/2008	Niu	D6/675.3
D567,536	S	*	4/2008	Paterson	D6/657
D693,610	S	*	11/2013	Denby	D6/675
D742,375	S	*	11/2015	Kang	D14/126
D776,072	S	*	1/2017	Kim	D14/126
D781,086	S	*	3/2017	Velez	D6/656
D787,239	S	*	5/2017	Denby	D6/657
D802,549	S	*	11/2017	Kim	D14/126
D807,844	S	*	1/2018	Kim	D14/126
D807,845	S	*	1/2018	Kim	D14/126
D818,977	S	*	5/2018	Kim	D14/126
D821,342	S	*	6/2018	Kim	D14/126
D826,882	S	*	8/2018	Han	D14/126
D835,595	S	*	12/2018	Won	D14/126

* cited by examiner

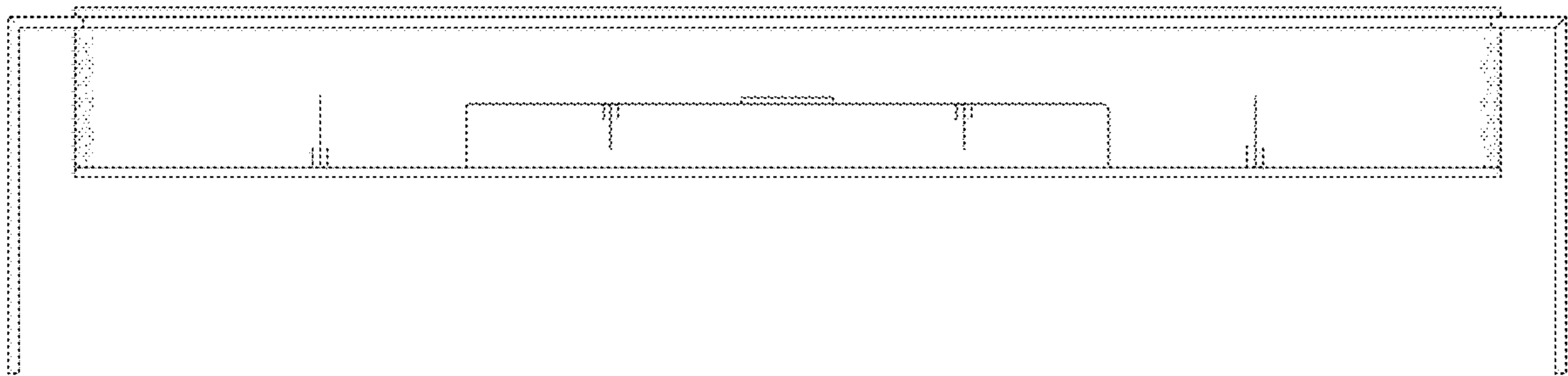
1.1



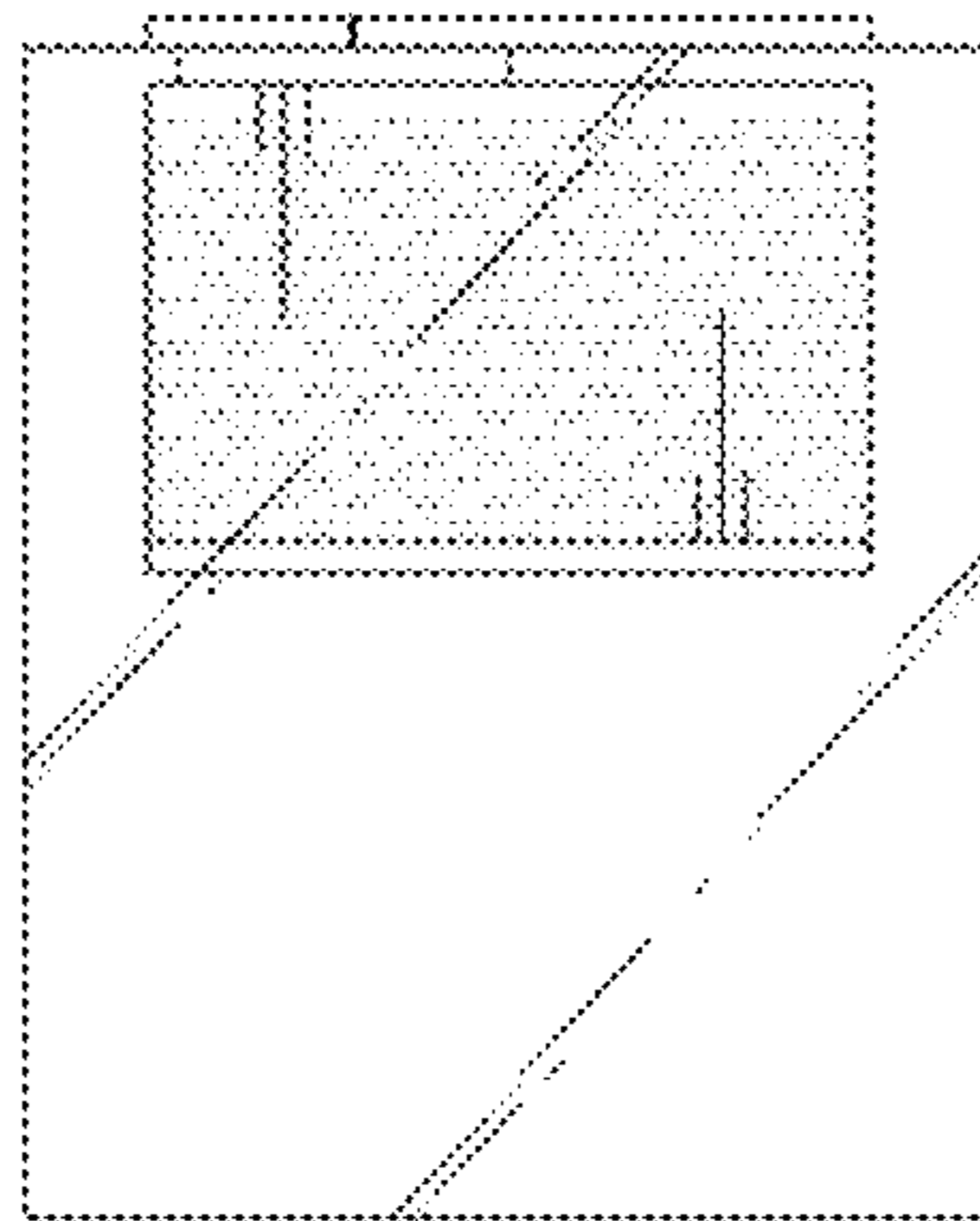
1.2



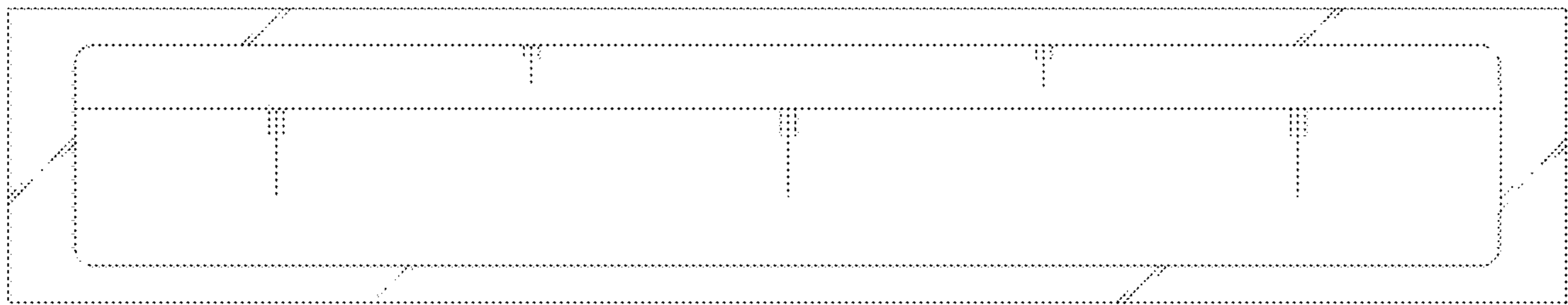
1.3



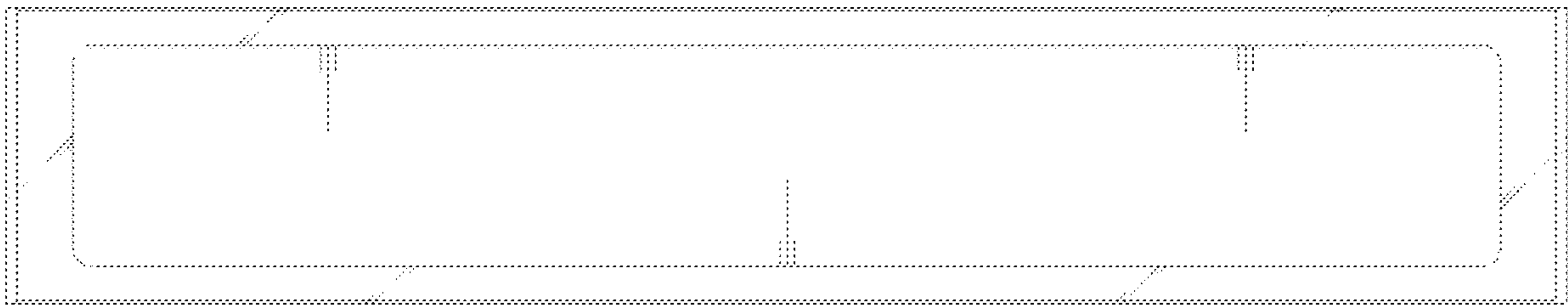
1.4



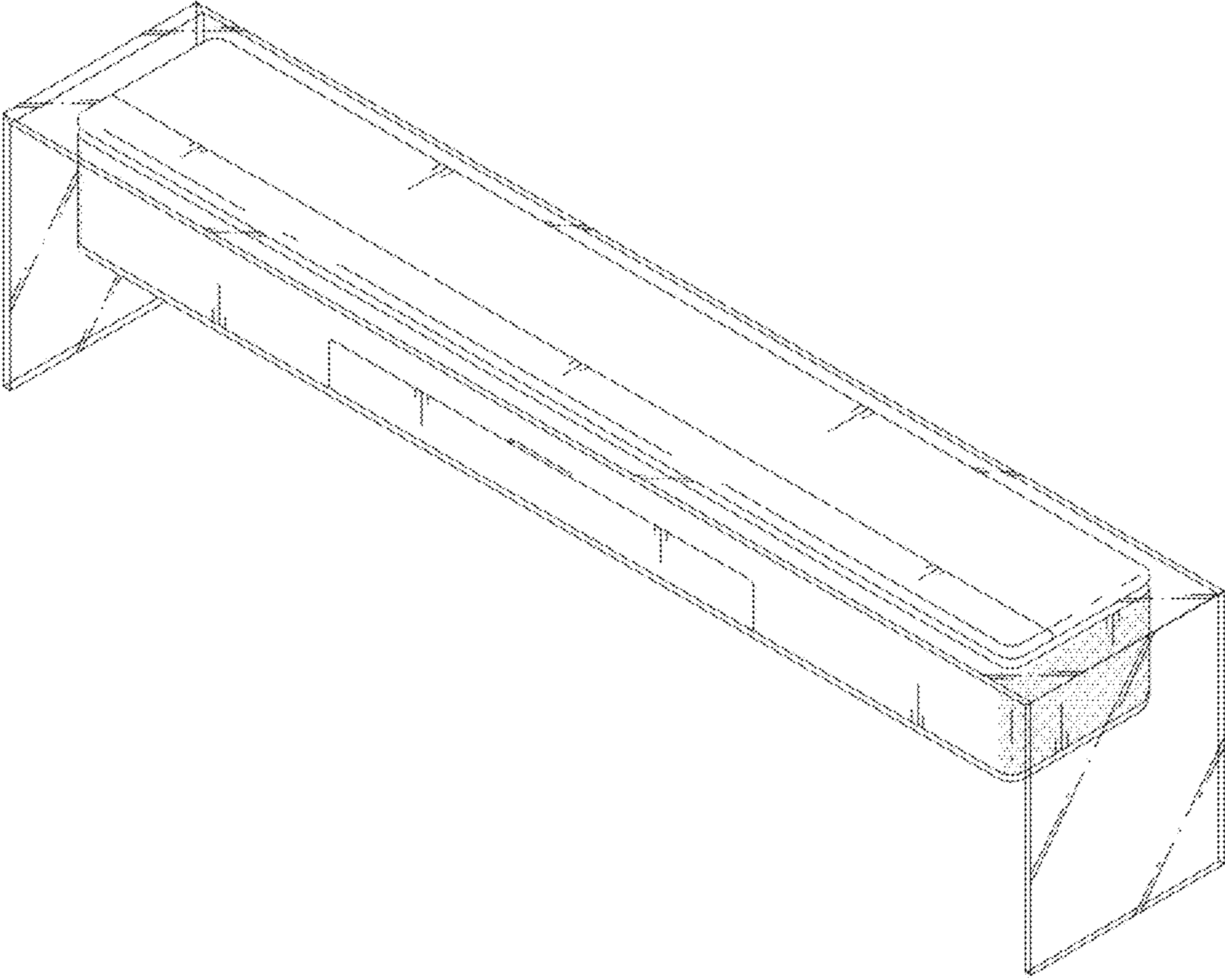
1.5



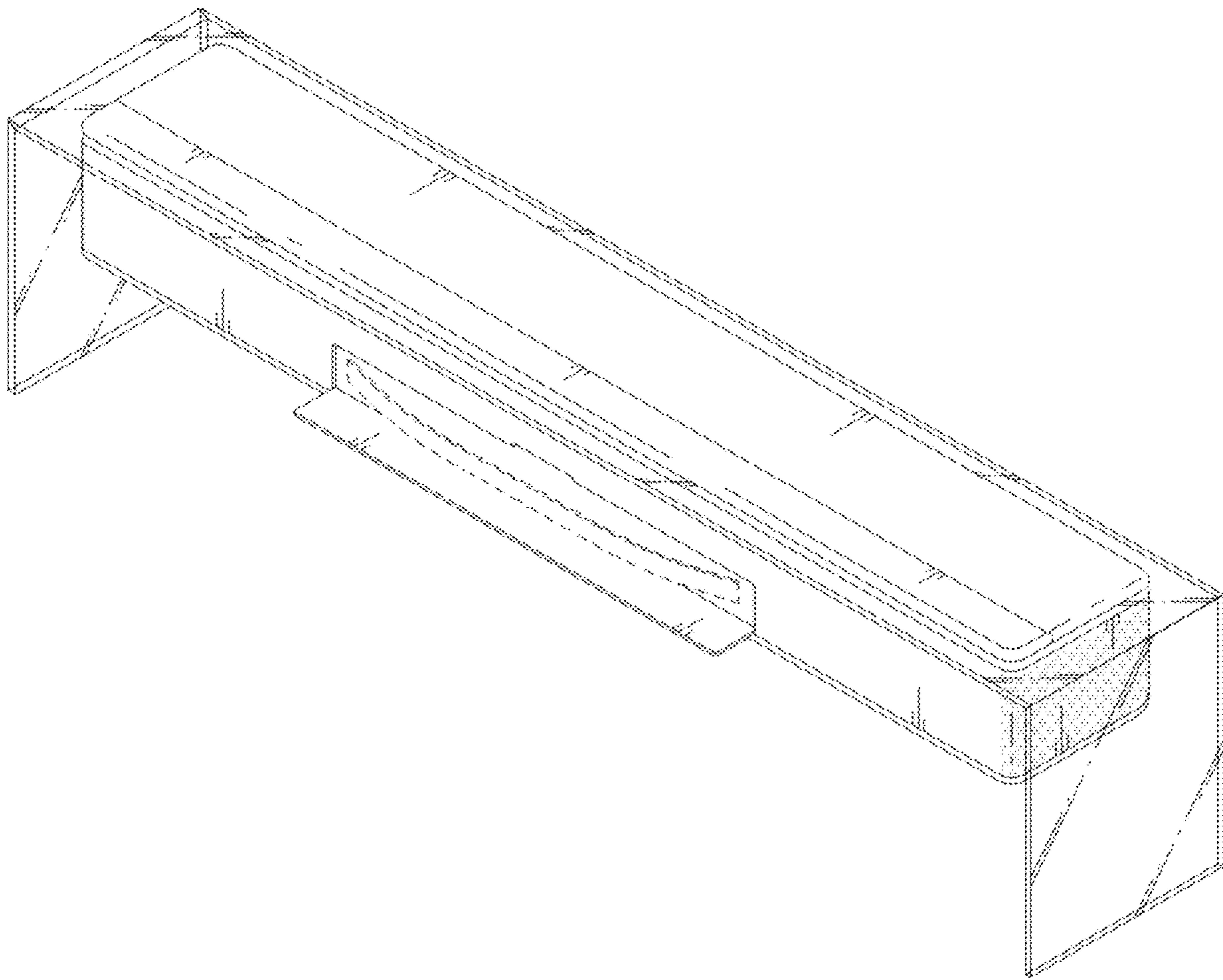
1.6



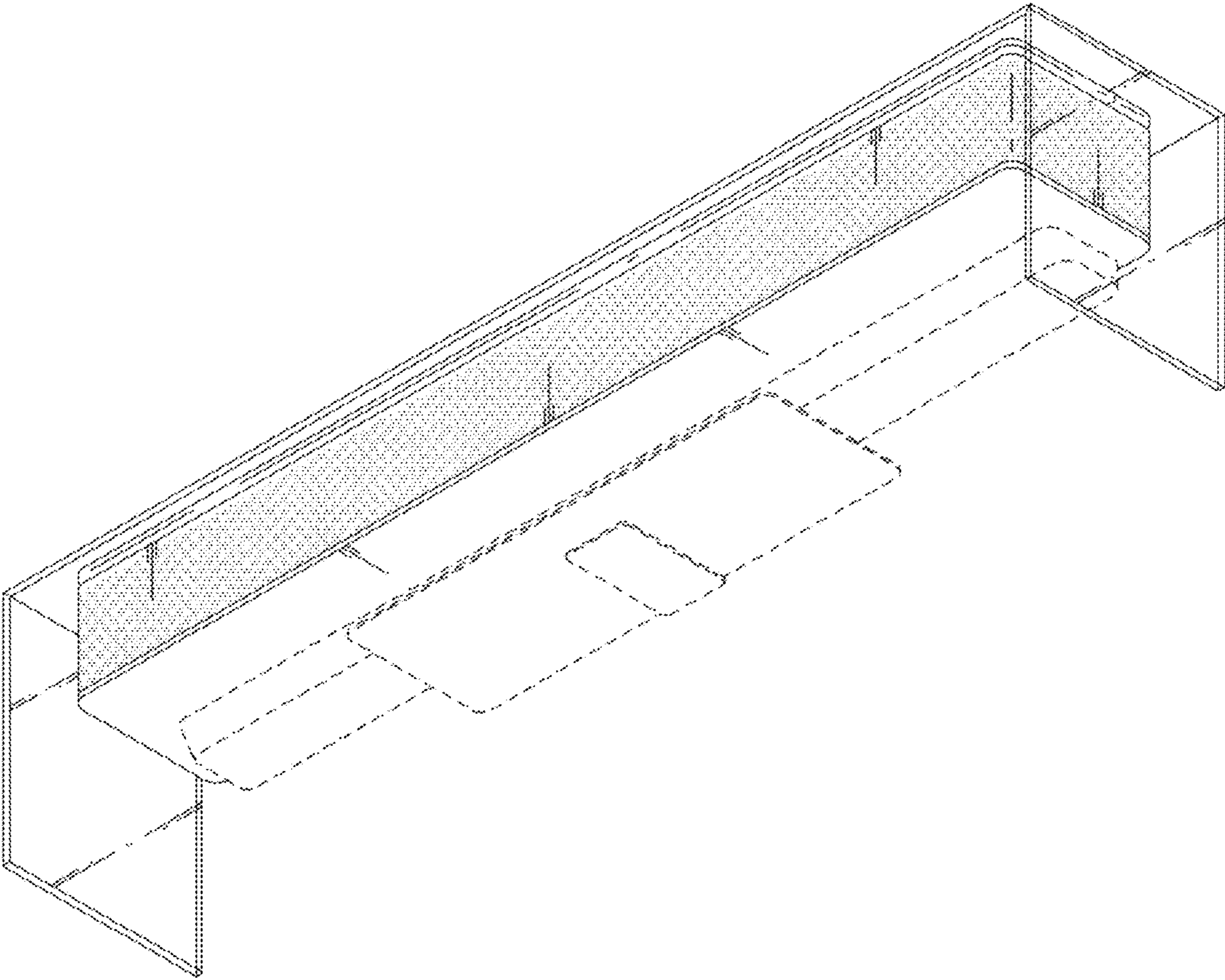
1.7



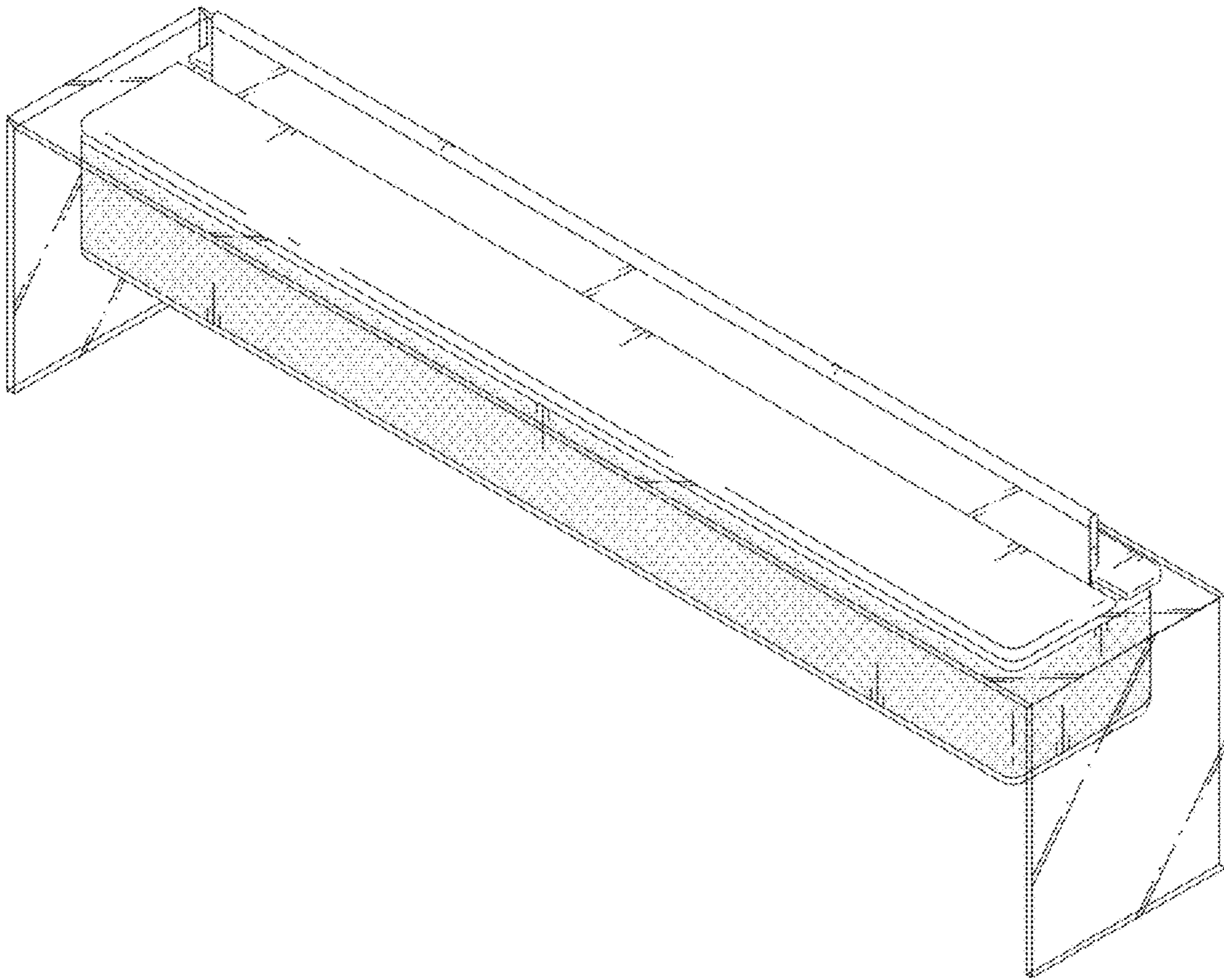
1.8



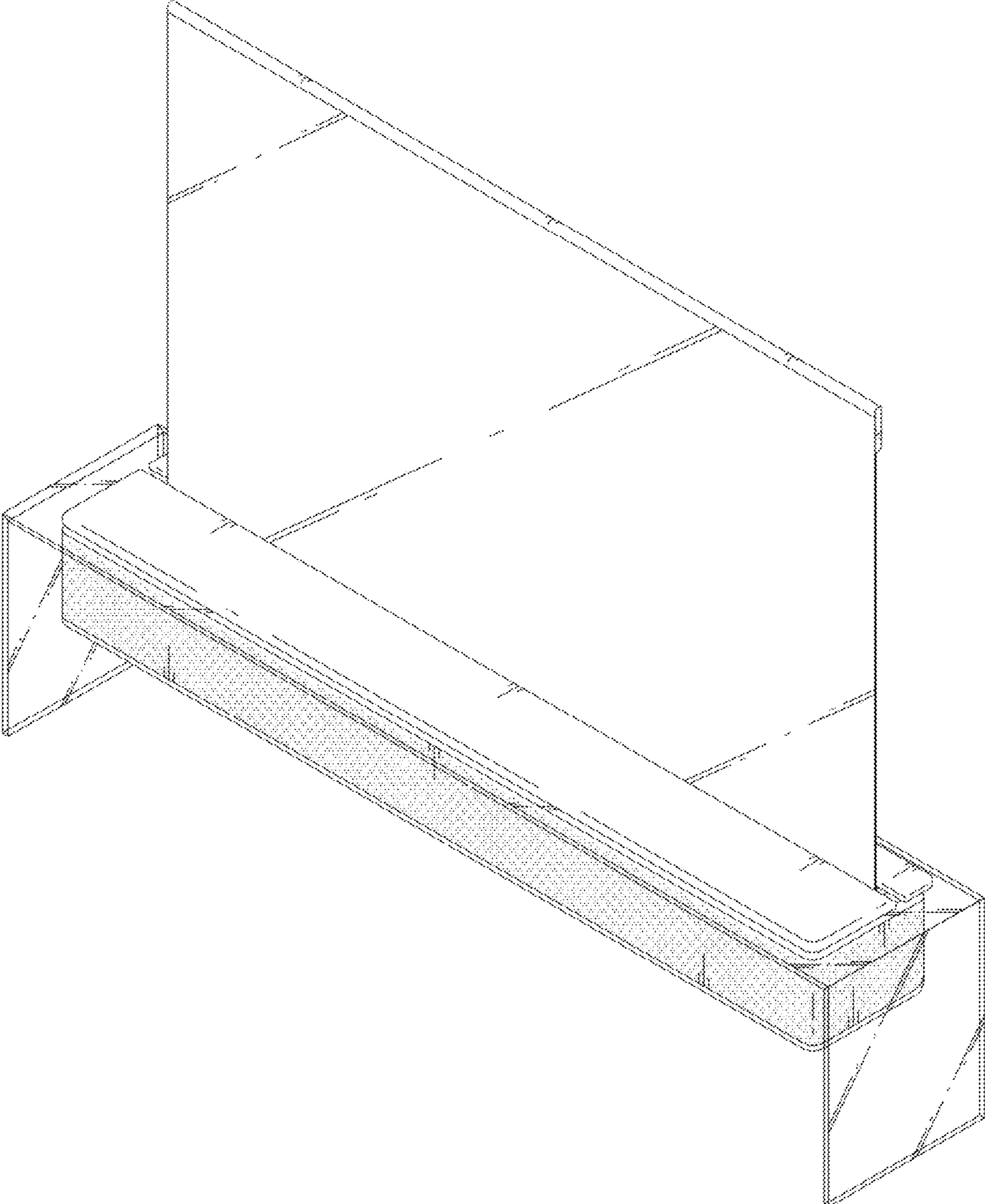
1.9



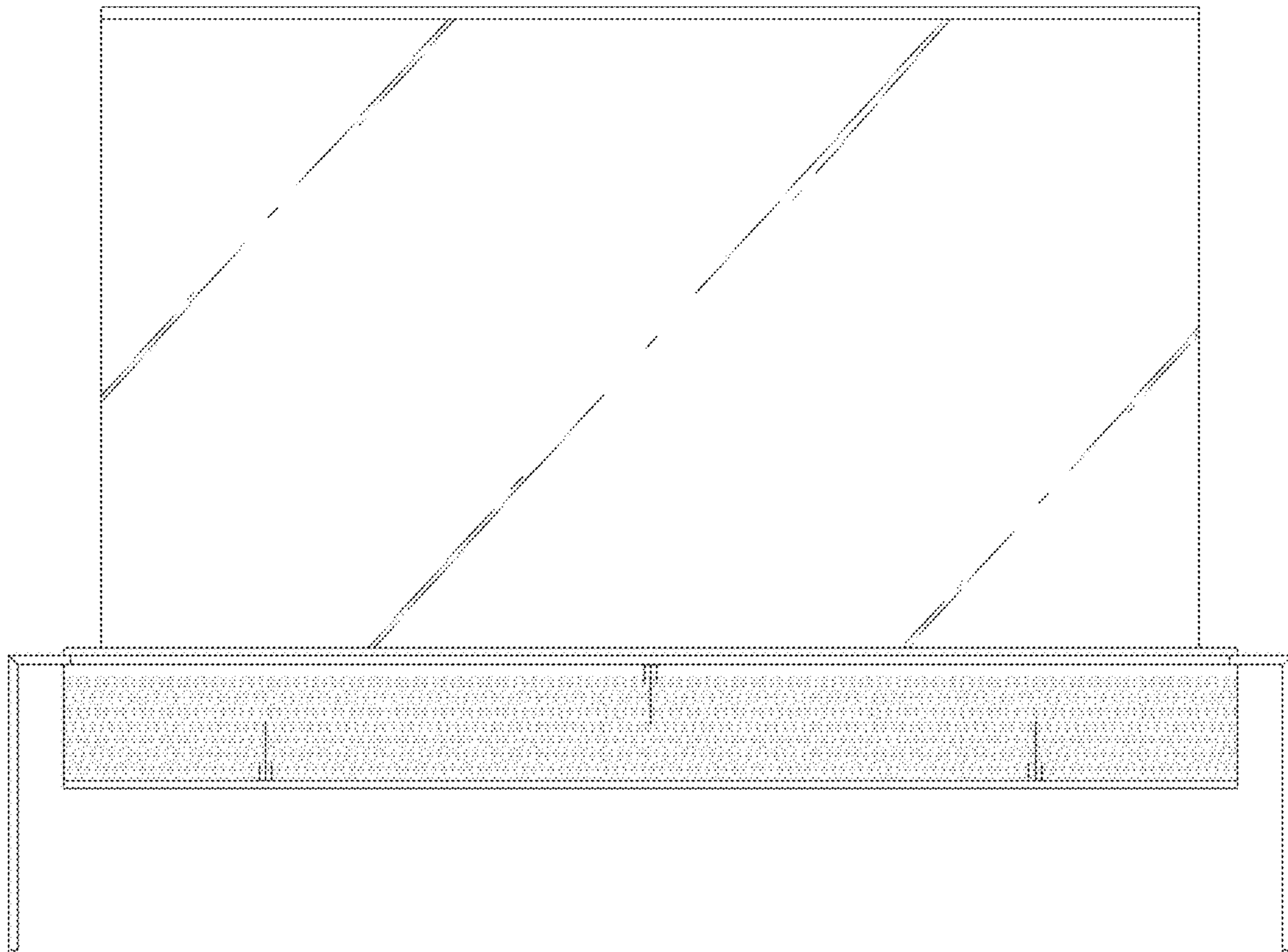
1.10



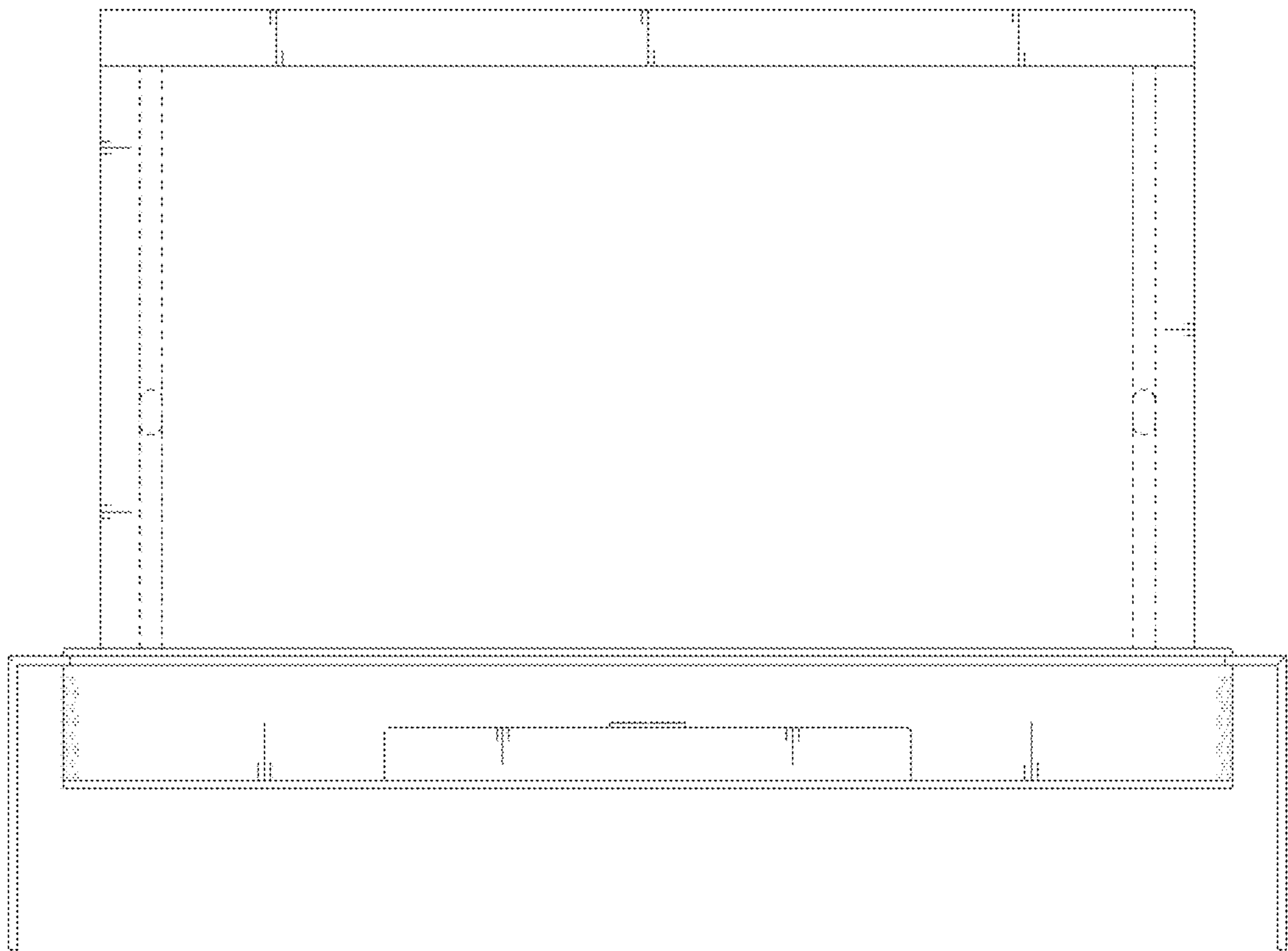
1.11



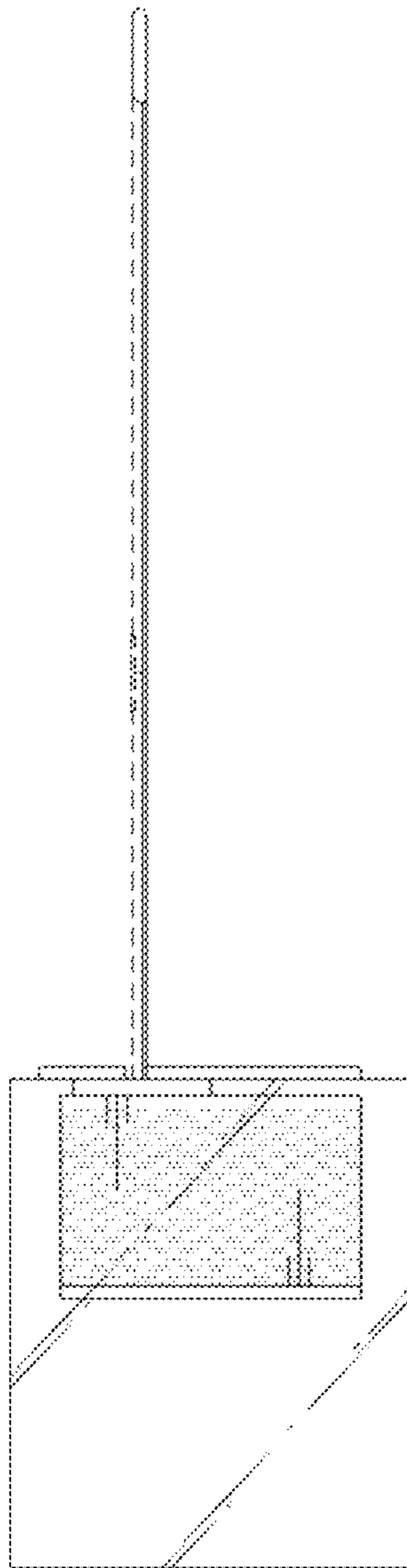
1.12



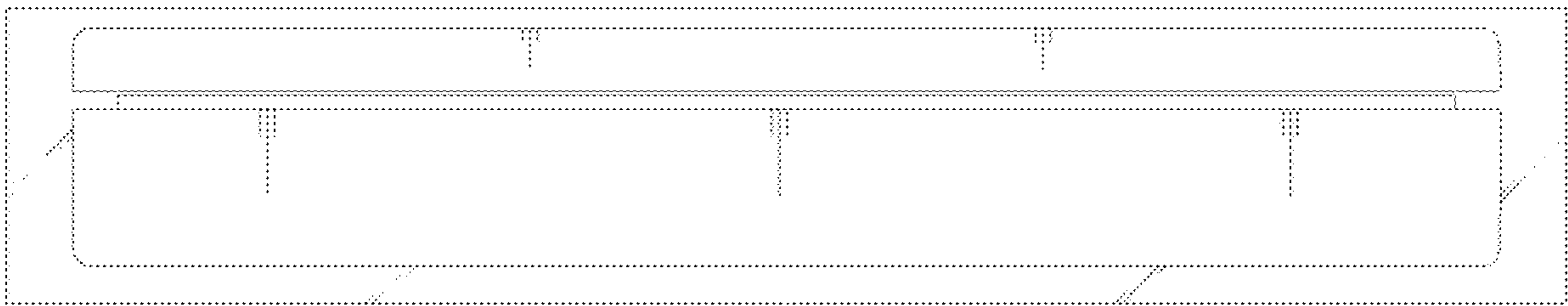
1.13



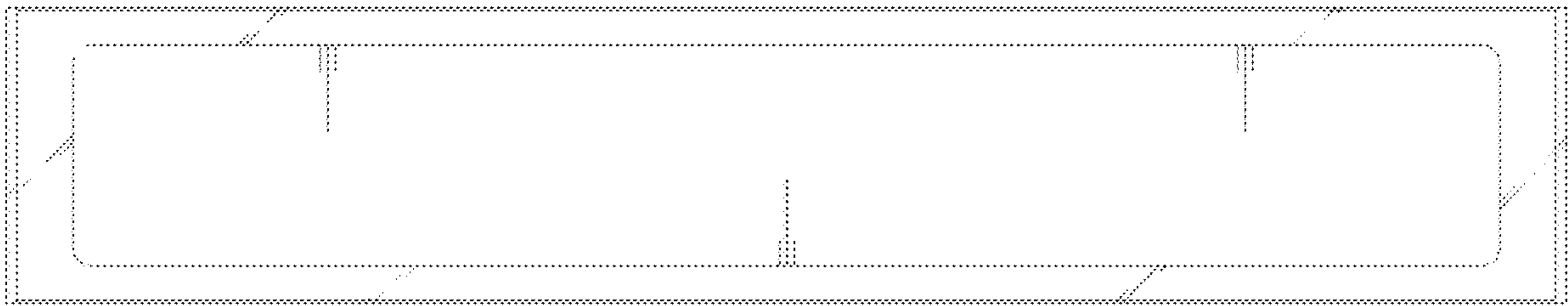
1.14



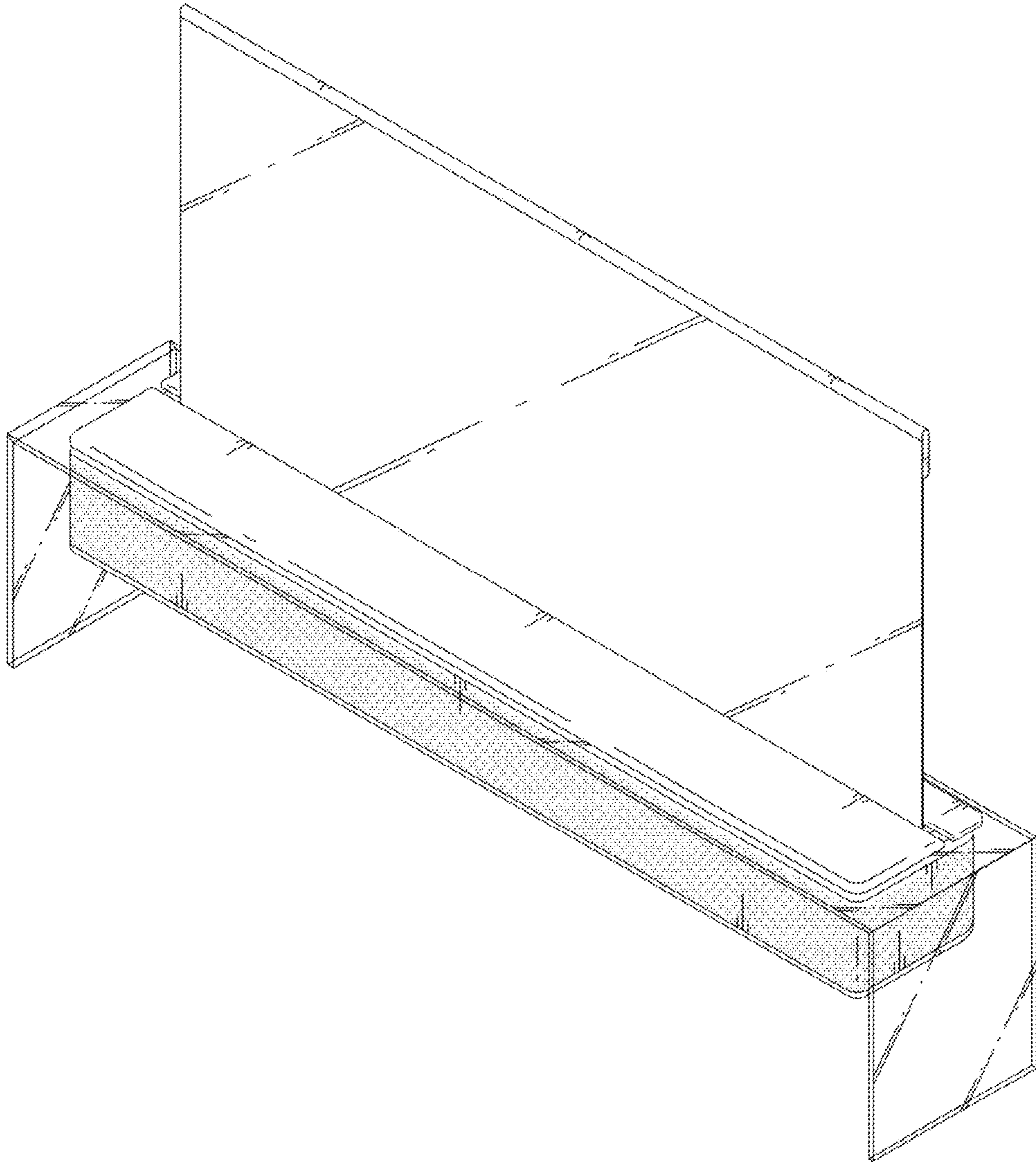
1.15



1.16



1.17



1.18

