



US00D887379S

(12) **United States Design Patent** (10) **Patent No.:** **US D887,379 S**  
**Cha et al.** (45) **Date of Patent:** **\*\* Jun. 16, 2020**

(54) **TELEVISION RECEIVER**

(71) Applicant: **LG ELECTRONICS INC.**, Seoul (KR)

(72) Inventors: **Hyunbyung Cha**, Seoul (KR); **Seokkyu Kang**, Seoul (KR); **Seonkyu Kim**, Seoul (KR); **Yunjoo Kim**, Seoul (KR); **Jongho Kim**, Seoul (KR); **Minjae Lee**, Seoul (KR)

(73) Assignee: **LG Electronics Inc.**, Seoul (KR)

(\*\*) Term: **15 Years**

(21) Appl. No.: **35/506,288**

(22) Filed: **Jul. 5, 2018**

(80) **Hague Agreement Data**

Int. Filing Date: **Jul. 5, 2018**  
Int. Reg. No.: **DM/103696**  
Int. Reg. Date: **Jul. 5, 2018**  
Int. Reg. Pub. Date: **Jan. 11, 2019**

(30) **Foreign Application Priority Data**

Jan. 5, 2018 (KR) ..... 30-2018-0000984

(51) **LOC (12) Cl.** ..... **14-03**

(52) **U.S. Cl.**  
USPC ..... **D14/126**

(58) **Field of Classification Search**

USPC ..... D6/300, 308, 310, 642, 643, 650.1, D6/653.15, 654.15, 657, 661, 675;  
(Continued)

(56) **References Cited**

**U.S. PATENT DOCUMENTS**

D179,404 S \* 12/1956 Aiken ..... D14/126  
D243,908 S \* 4/1977 Neff ..... D6/675  
(Continued)

**OTHER PUBLICATIONS**

CES 2019: TV Set Maker LG Makes its Sets Disappear, publication date Jan. 8, 2019, [online][site visited: Jul. 10, 2019] URL: https://www.ecnmag.com/news/2019/01/ces-2019-tv-set-maker-lg-makes-its-sets-disappear (Year: 2019).\*

*Primary Examiner* — George D. Kirschbaum

*Assistant Examiner* — L. A. Grabenstetter

(74) *Attorney, Agent, or Firm* — Birch, Stewart, Kolasch & Birch, LLP

(57) **CLAIM**

The ornamental design for a television receiver, as shown and described.

**DESCRIPTION**

1. Television receiver

**1.1** : Front Top Perspective, shown with the display in a fully retracted position

**1.2** : Front

**1.3** : Back

**1.4** : Left

**1.5** : Top

**1.6** : Bottom

**1.7** : Back Top Perspective

**1.8** : Front Bottom Perspective, shown in an example of use with detachable storage

**1.9** : Front Top Perspective 2, shown with cover opened and display in a partially extended transitional position

**1.10** : Front Top Perspective 3, shown with the display in a fully extended position

**1.11** : Front 2

**1.12** : Back 2

**1.13** : Left 2

**1.14** : Top 2

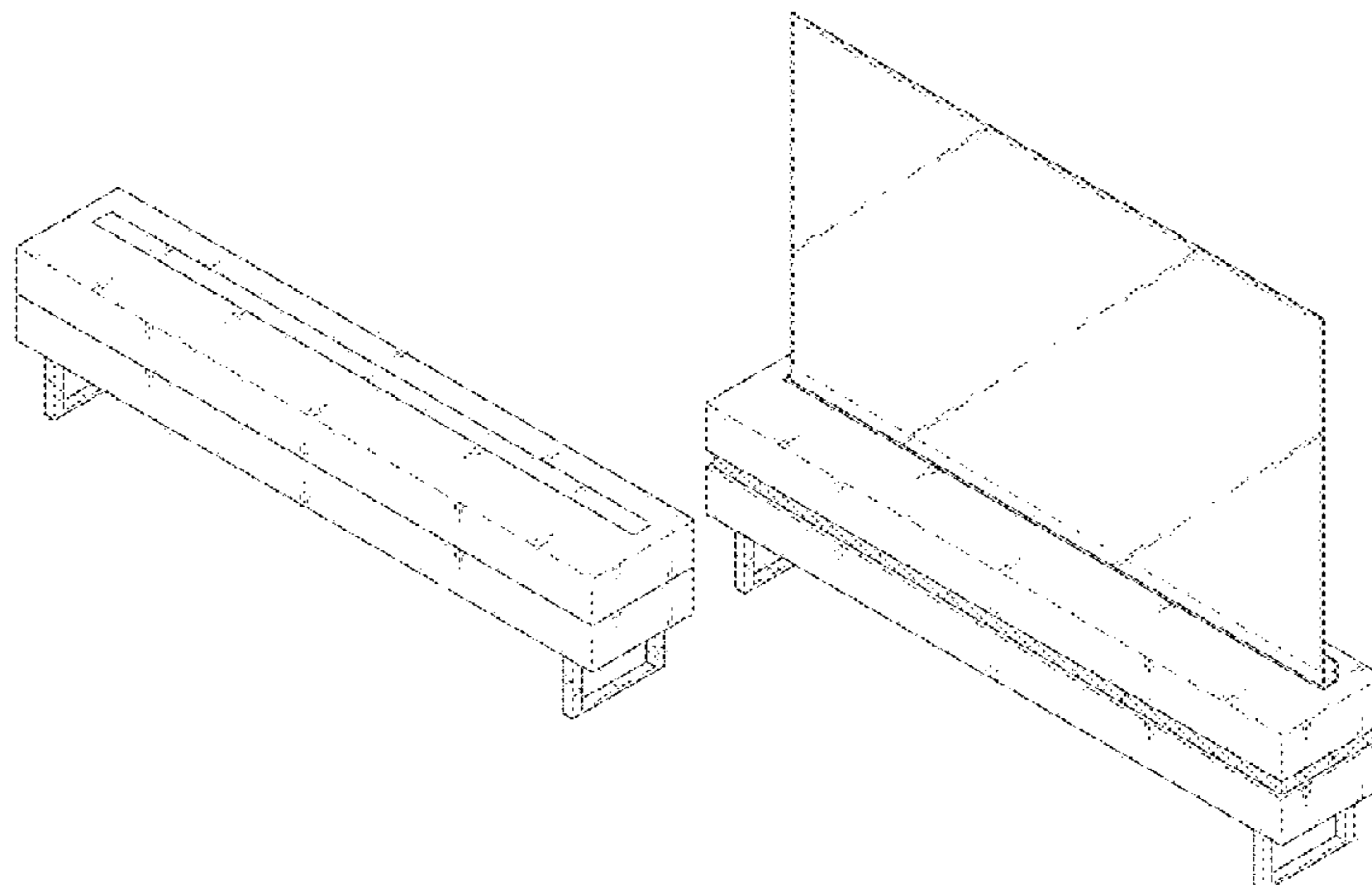
**1.15** : Bottom 2

**1.16** : Back Top Perspective 2

**1.17** : Front Top Perspective 4, shown with display in a partially retracted transitional position

**1.18** : Front Top Perspective 5, shown with display in a partially retracted transitional position

(Continued)



The broken lines depict portions of the television receiver that form no part of the claimed design; the right views are omitted because they are mirror images of the left views.

**1 Claim, 18 Drawing Sheets**

(58) **Field of Classification Search**

USPC ..... D14/125, 126, 127, 128, 129, 132, 336,  
D14/341, 373, 374, 375, 376, 377  
CPC ..... G06F 1/1601; G06F 1/1605; G06F 1/162  
See application file for complete search history.

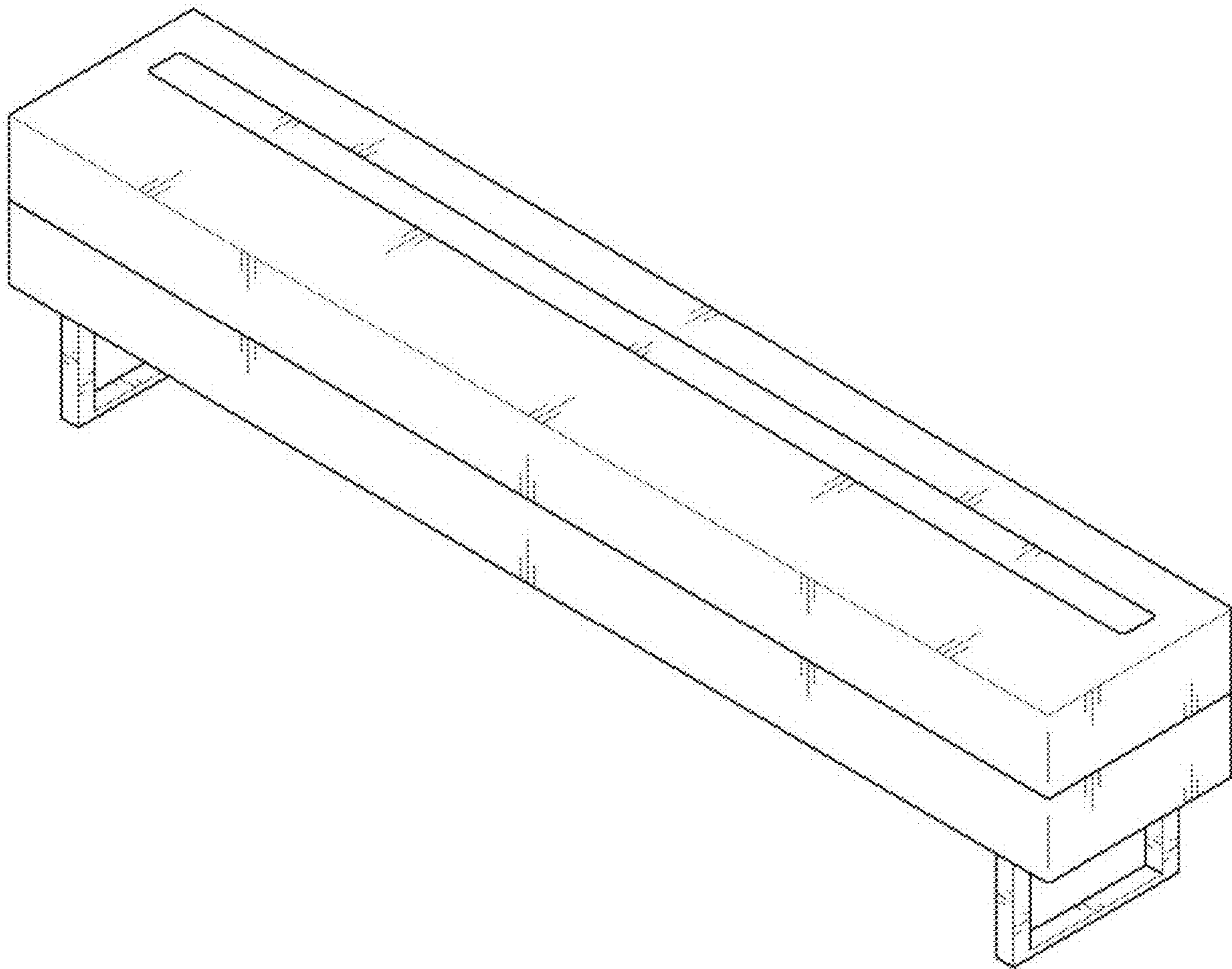
(56) **References Cited**

U.S. PATENT DOCUMENTS

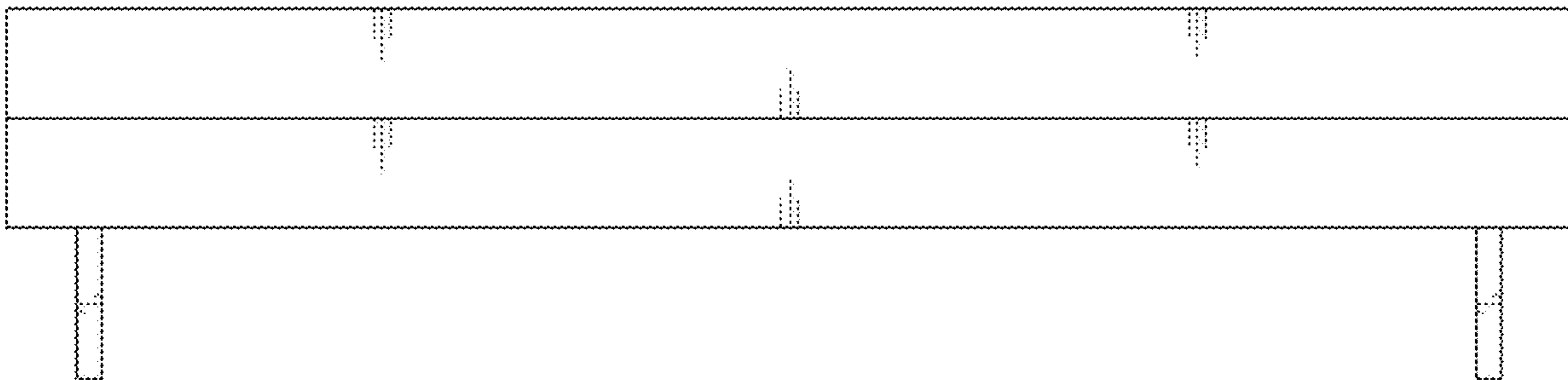
D519,299	S	*	4/2006	Boudreau	.....	D6/657
D525,595	S	*	7/2006	Hoehn	.....	D14/126
D540,275	S	*	4/2007	Lewis	.....	D14/126
D567,536	S	*	4/2008	Paterson	.....	D6/657
D598,672	S	*	8/2009	Maly	.....	D6/671.1
D776,072	S	*	1/2017	Kim	.....	D14/126
D778,858	S	*	2/2017	Kim	.....	D14/126
D787,239	S	*	5/2017	Denby	.....	D6/657
D802,549	S	*	11/2017	Kim	.....	D14/126
D807,844	S	*	1/2018	Kim	.....	D14/126
D807,845	S	*	1/2018	Kim	.....	D14/126
D813,832	S	*	3/2018	Kim	.....	D14/126
D816,627	S	*	5/2018	Kim	.....	D14/126
D818,977	S	*	5/2018	Kim	.....	D14/126
D821,342	S	*	6/2018	Kim	.....	D14/126
D823,823	S	*	7/2018	Kim	.....	D14/126
D830,323	S	*	10/2018	Huang	.....	D14/127

\* cited by examiner

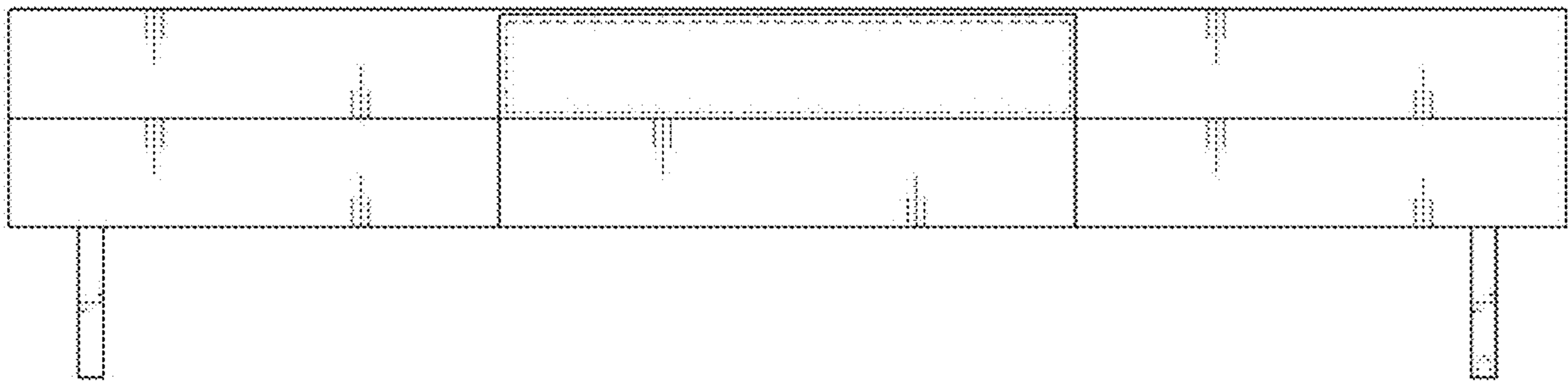
1.1



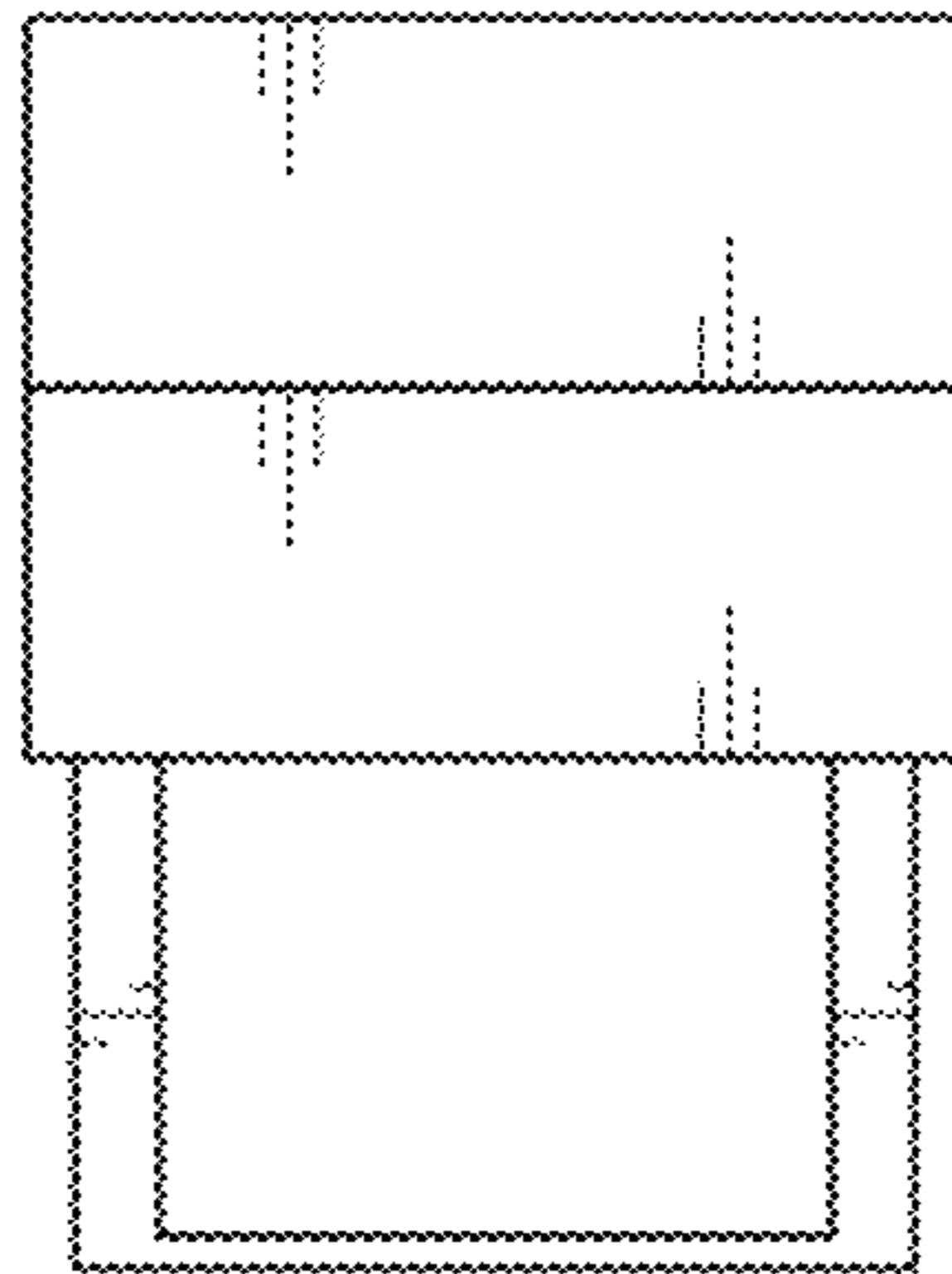
1.2



1.3



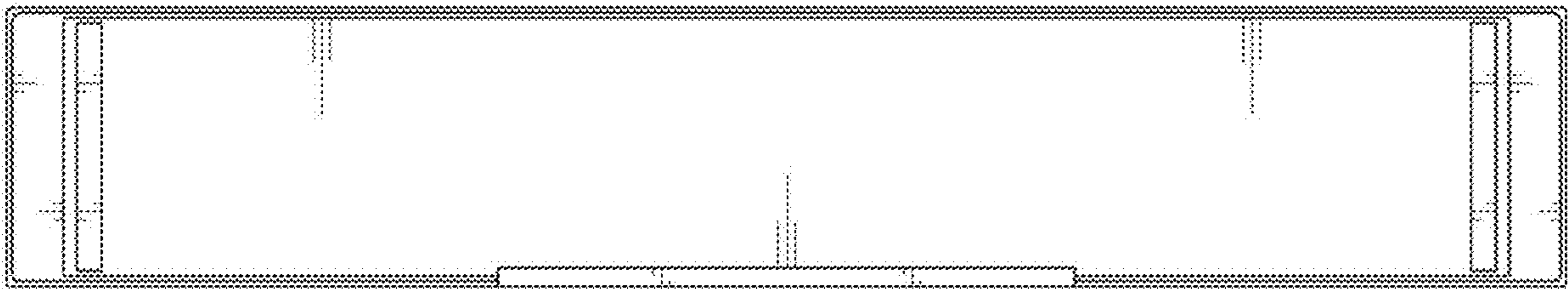
1.4



1.5

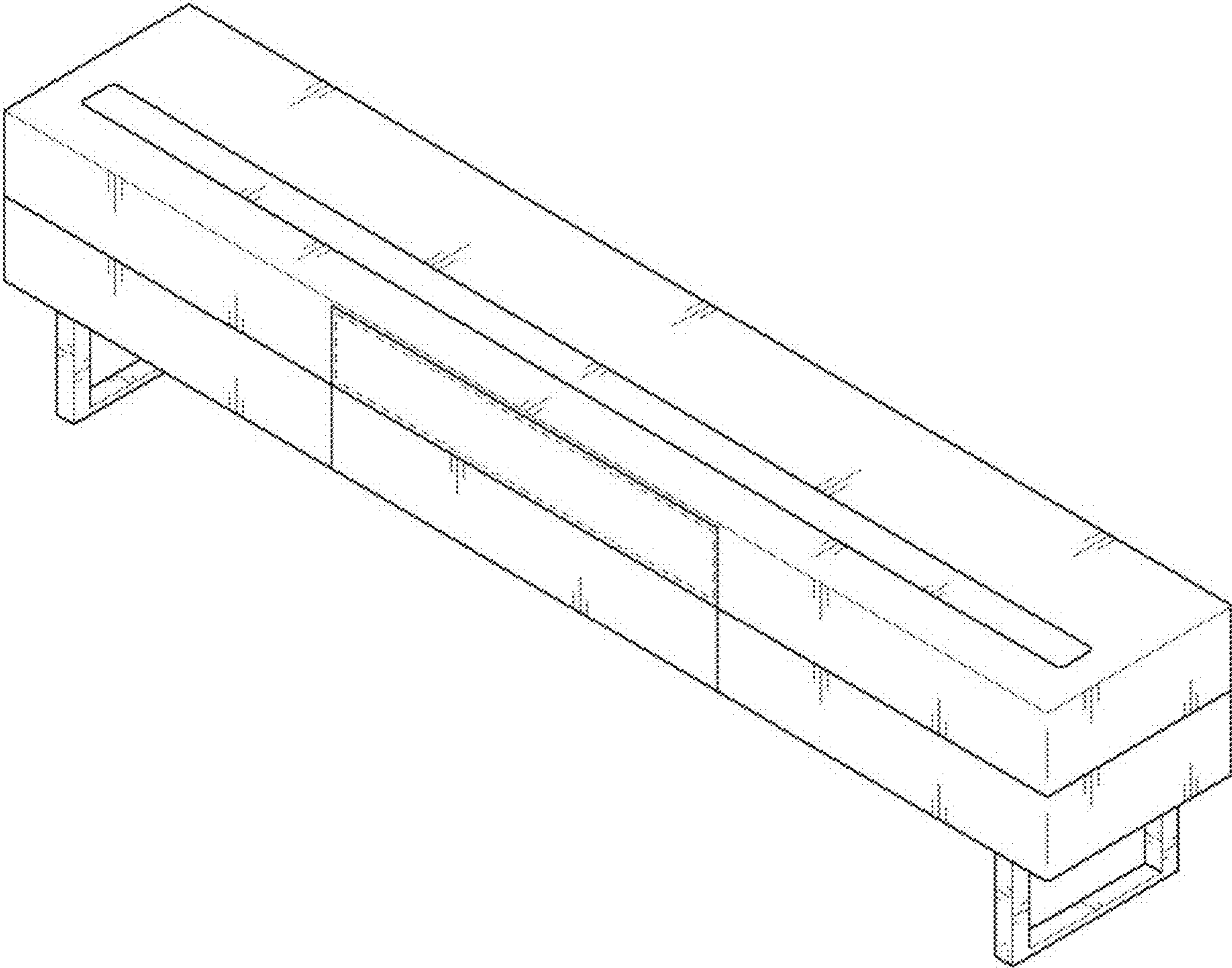


1.6

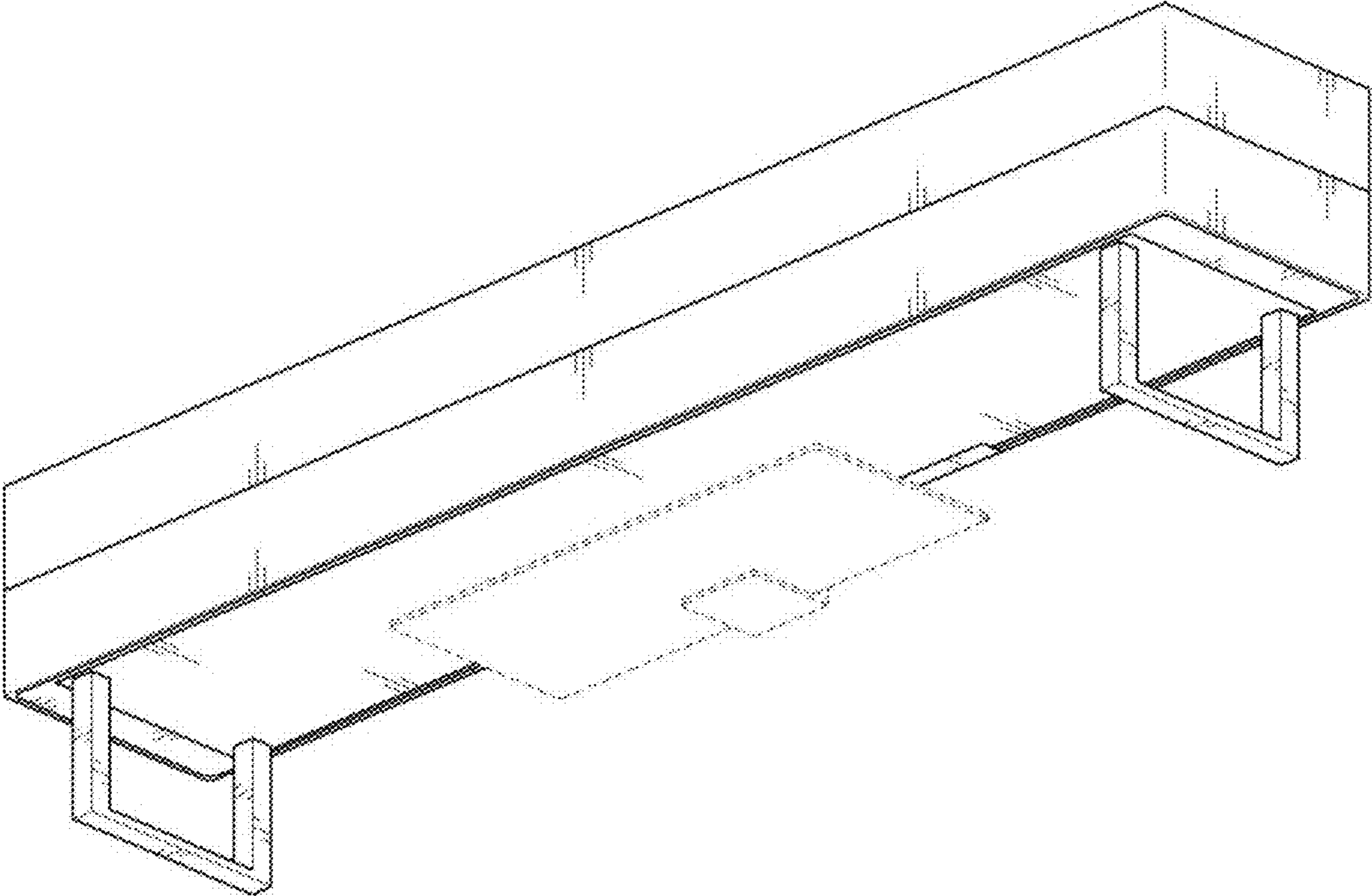




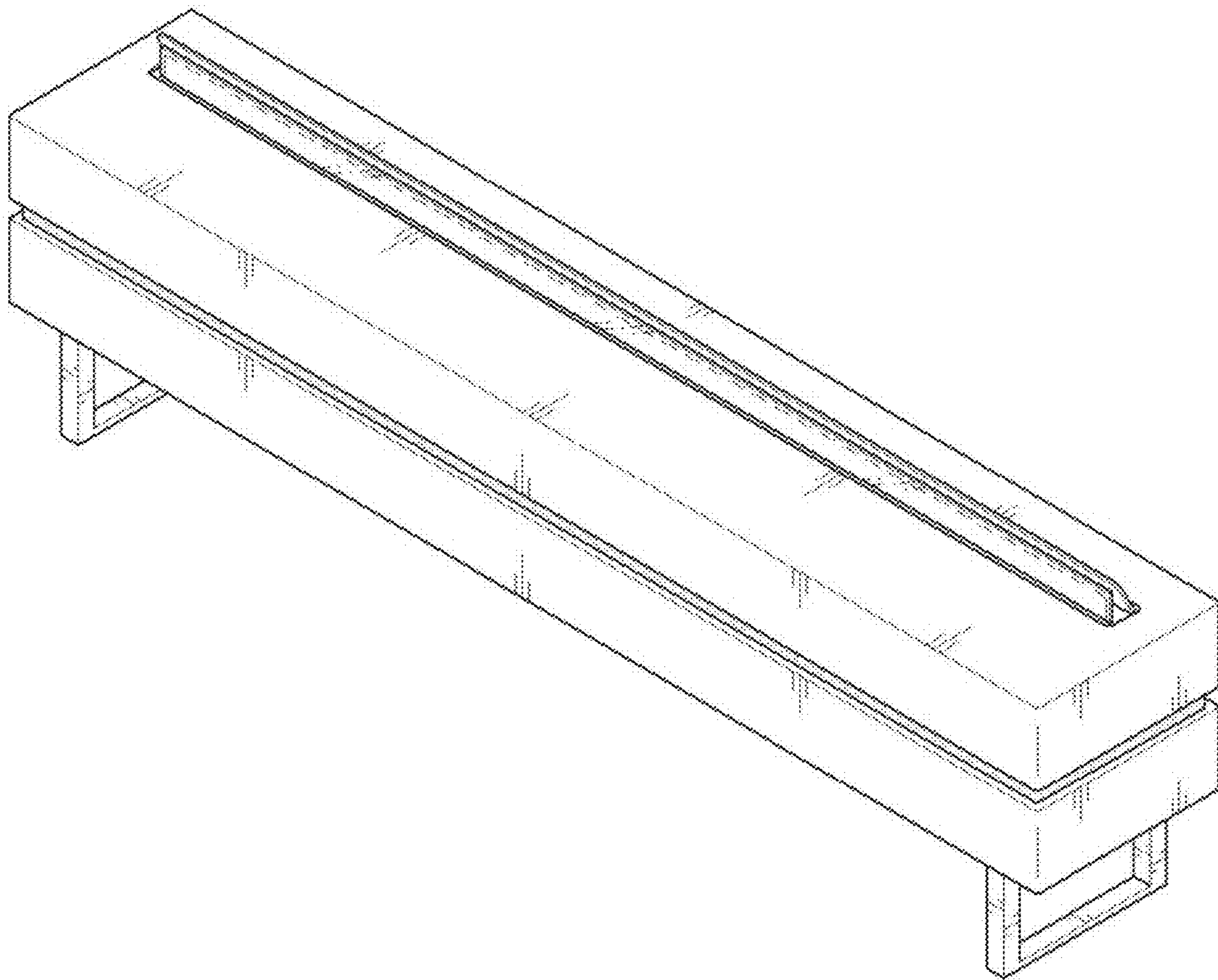
1.7



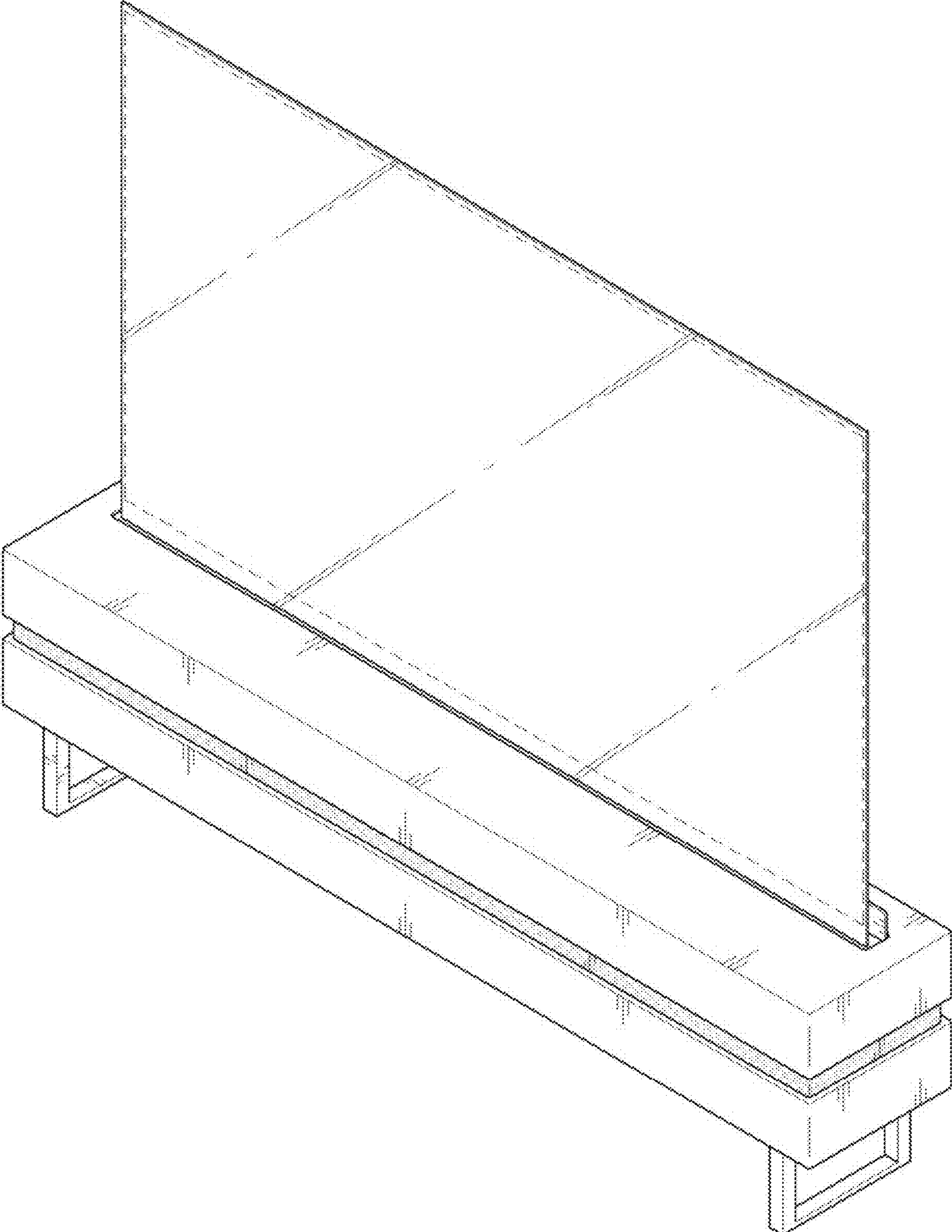
1.8



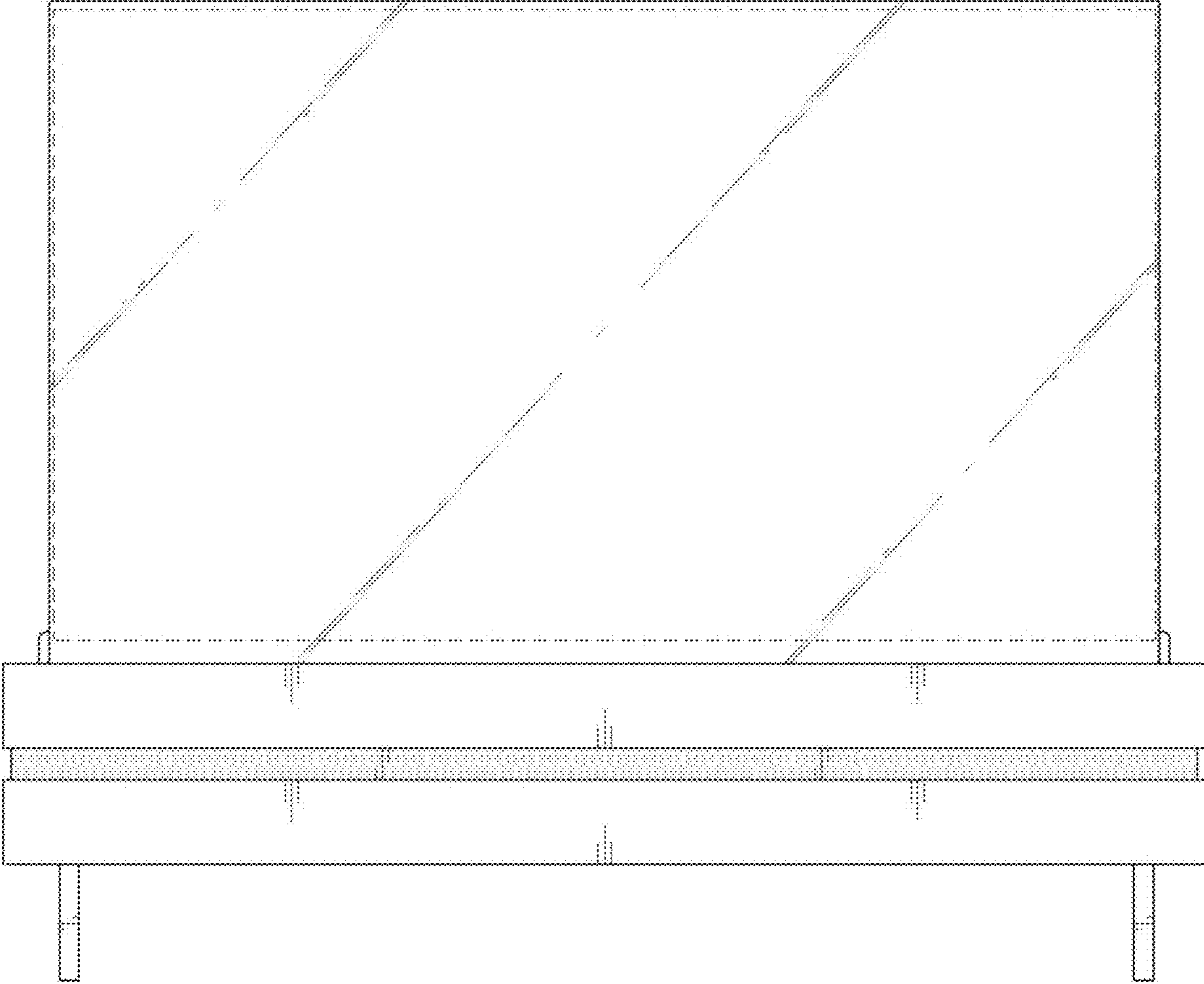
1.9



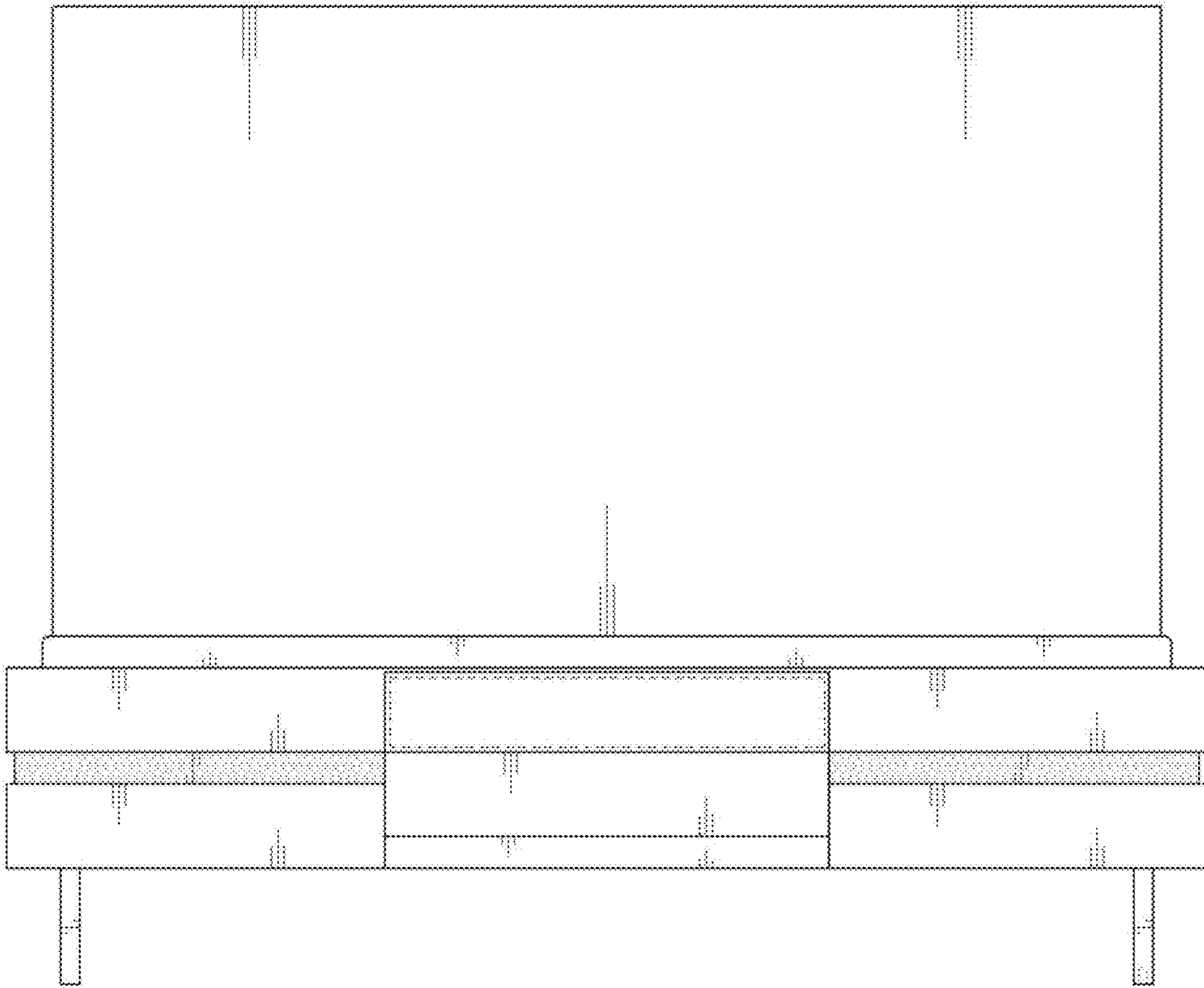
1.10



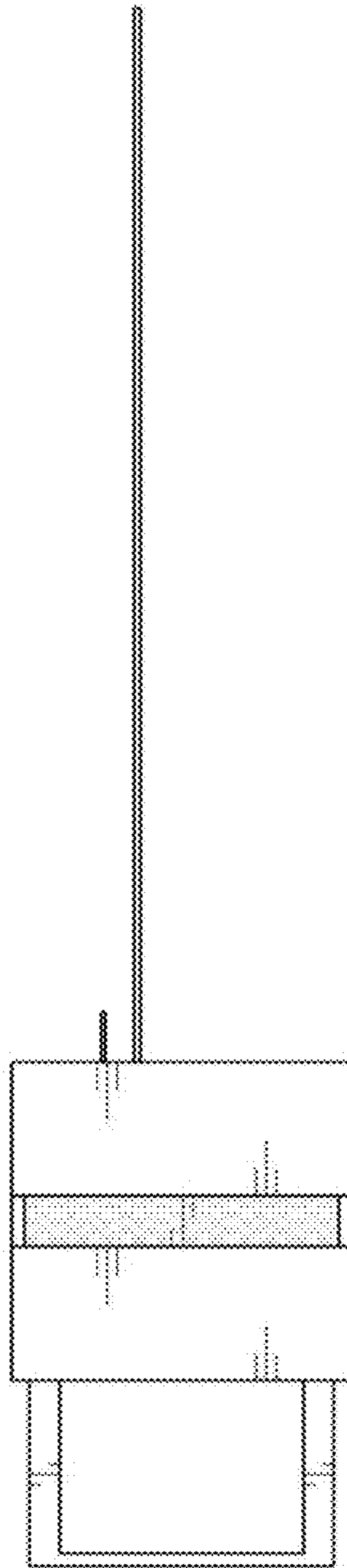
1.11



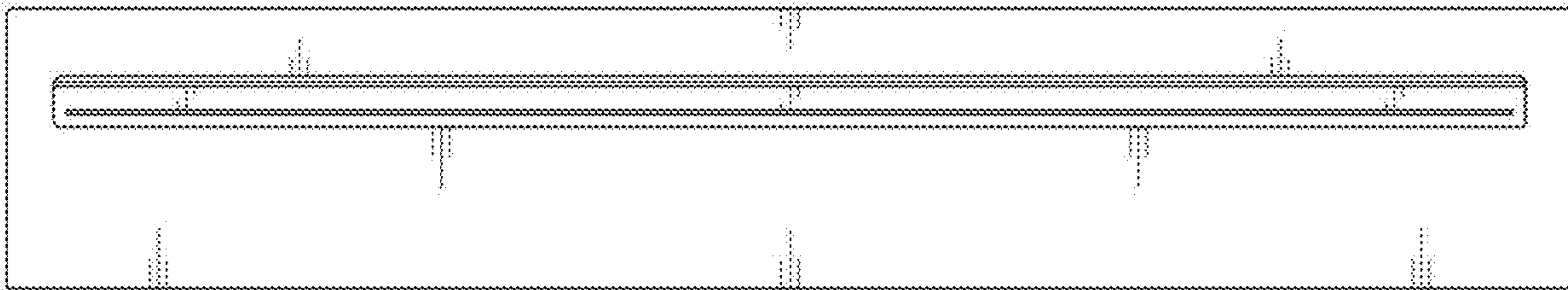
1.12



1.13

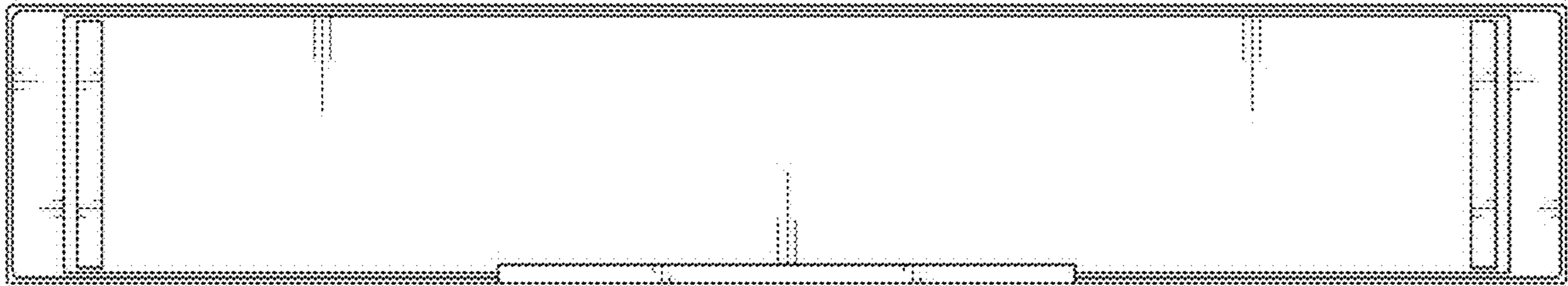


1.14

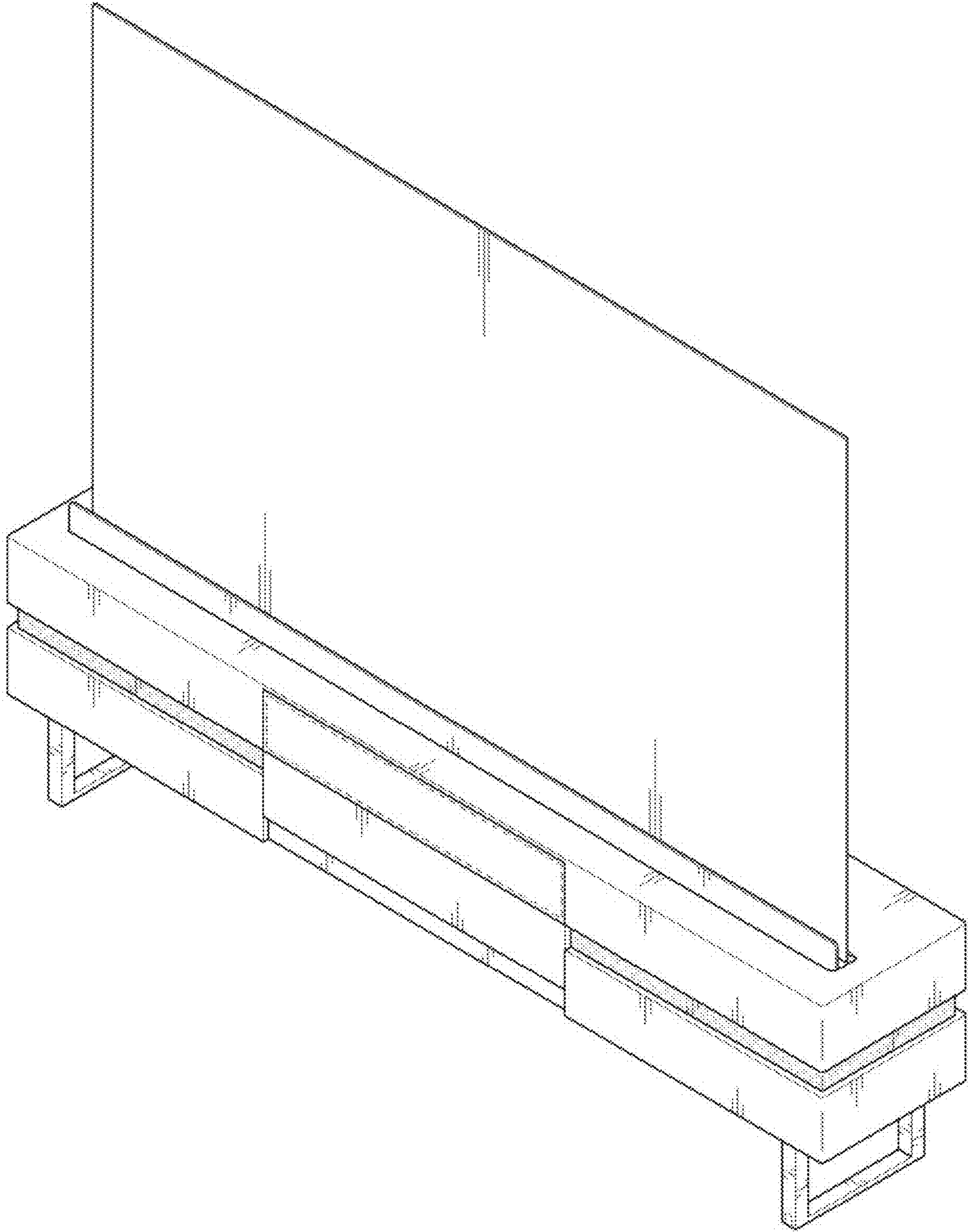




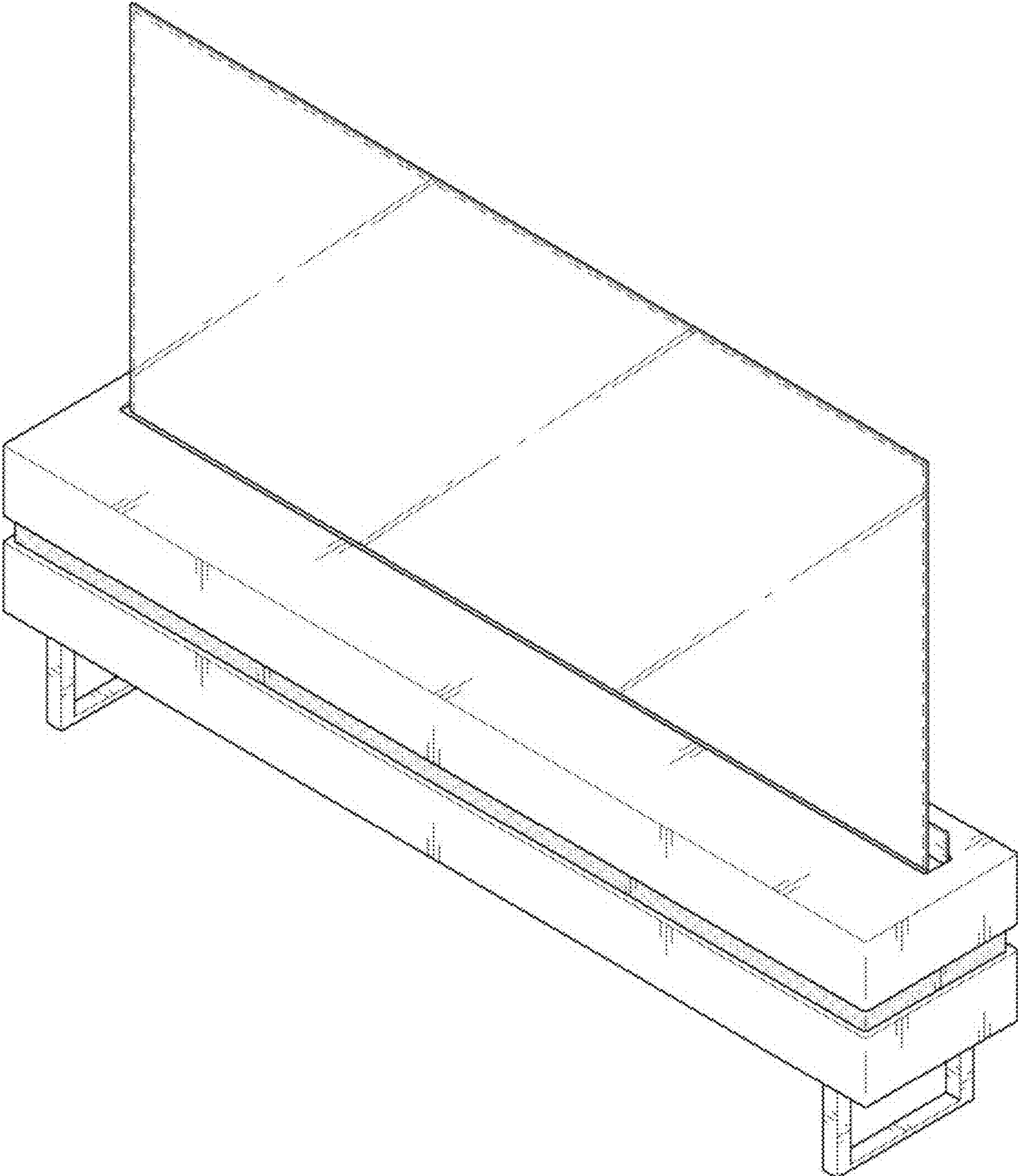
1.15



1.16



1.17



1.18

