



US00D887378S

(12) **United States Design Patent**
Tsujita

(10) **Patent No.:** **US D887,378 S**
(45) **Date of Patent:** **** Jun. 16, 2020**

- (54) **TELEVISION RECEIVER**
- (71) Applicant: **SONY CORPORATION**, Tokyo (JP)
- (72) Inventor: **Yusuke Tsujita**, Kanagawa (JP)
- (73) Assignee: **SONY CORPORATION**, Tokyo (JP)
- (**) Term: **15 Years**
- (21) Appl. No.: **29/641,017**
- (22) Filed: **Mar. 19, 2018**

(30) **Foreign Application Priority Data**

Dec. 28, 2017 (JP) D2017-029620

(51) **LOC (12) Cl.** **14-03**

(52) **U.S. Cl.**
USPC **D14/126**

(58) **Field of Classification Search**
USPC D14/371, 373-377, 382, 451, 239, 125,
D14/127, 129, 204, 210, 138 G, 138 AB,
D14/126, 341, 334-337; D6/708, 708.16,
D6/300, 308, 310-313, 691.6; D8/349,
D8/354, 363, 373, 376, 380
CPC H04N 5/64; H04N 5/655; H05K 5/0017;
H05K 5/0234; G06F 1/1601; G06F 1/166;
G06F 2200/1612; G06F 2200/1631; G06F
1/1628

See application file for complete search history.

(56) **References Cited**

U.S. PATENT DOCUMENTS

- 6,654,235 B2 * 11/2003 Imsand G06F 1/16
150/165
- D562,785 S 2/2008 Fujii
- D562,829 S 2/2008 Katagiri et al.
- D585,401 S 1/2009 Otani
- D588,124 S 3/2009 Shimizu
- D615,527 S * 5/2010 Hwang D14/203.7

- D654,076 S * 2/2012 Wong D14/371
- 8,605,429 B2 * 12/2013 Shen F16M 11/105
D14/337
- D699,205 S * 2/2014 Kim D14/126
- D727,320 S * 4/2015 Lee D14/371
- D728,560 S * 5/2015 Seoc D14/341
- D732,491 S * 6/2015 Choi D14/126
- D738,875 S * 9/2015 Seoc D14/341
- D741,319 S * 10/2015 Yun D14/341
- D746,786 S * 1/2016 Choi D14/126
- D753,618 S * 4/2016 Ryu D14/126
- D761,748 S * 7/2016 Han D14/126

(Continued)

Primary Examiner — Brett Miller

(74) *Attorney, Agent, or Firm* — Michael Best & Friedrich LLP

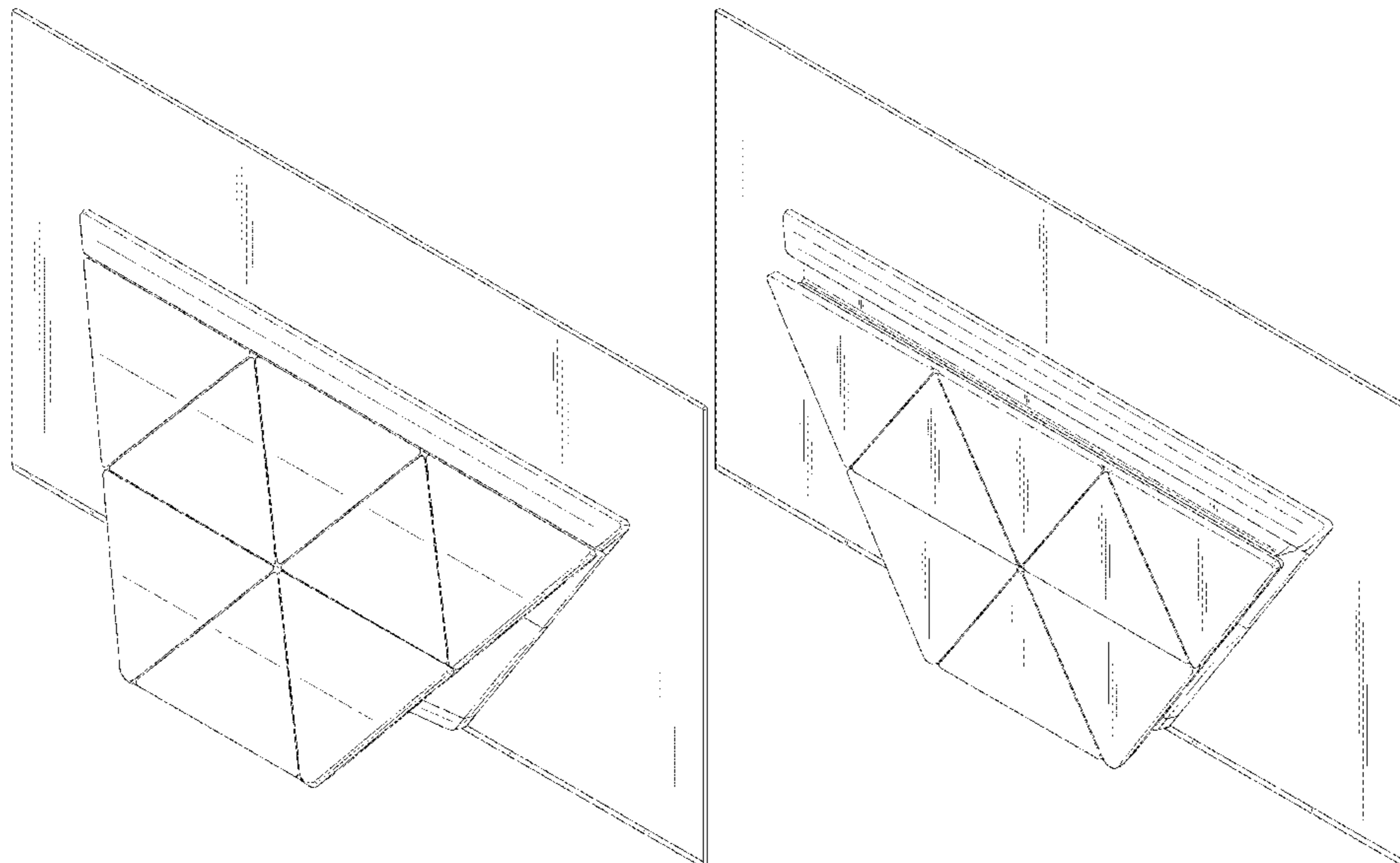
(57) **CLAIM**

The ornamental design for a television receiver, as shown.

DESCRIPTION

FIG. 1 is a rear, top, left perspective view of a television receiver showing my new design;
 FIG. 2 is a front elevational view thereof;
 FIG. 3 is a rear elevational view thereof;
 FIG. 4 is a left side elevational view thereof;
 FIG. 5 is a right side elevational view thereof;
 FIG. 6 is a top plan view thereof; and
 FIG. 7 is a bottom plan view thereof.
 FIG. 8 is a reference rear, top, left perspective view thereof wherein the stand is in a closed position;
 FIG. 9 is a front elevational view thereof;
 FIG. 10 is a rear elevational view thereof;
 FIG. 11 is a left side elevational view thereof;
 FIG. 12 is a right side elevational view thereof;
 FIG. 13 is a top plan view thereof; and,
 FIG. 14 is a bottom plan view thereof.
 The broken lines depict portions of the television receiver that form no part of the claimed design.

1 Claim, 10 Drawing Sheets



(56)

References Cited

U.S. PATENT DOCUMENTS

D769,204 S	*	10/2016	Kim	D14/126
D786,813 S	*	5/2017	McManigal	D14/126
D802,559 S	*	11/2017	Holzer	D14/210
D849,741 S	*	5/2019	Wei	D14/336

* cited by examiner

FIG. 1

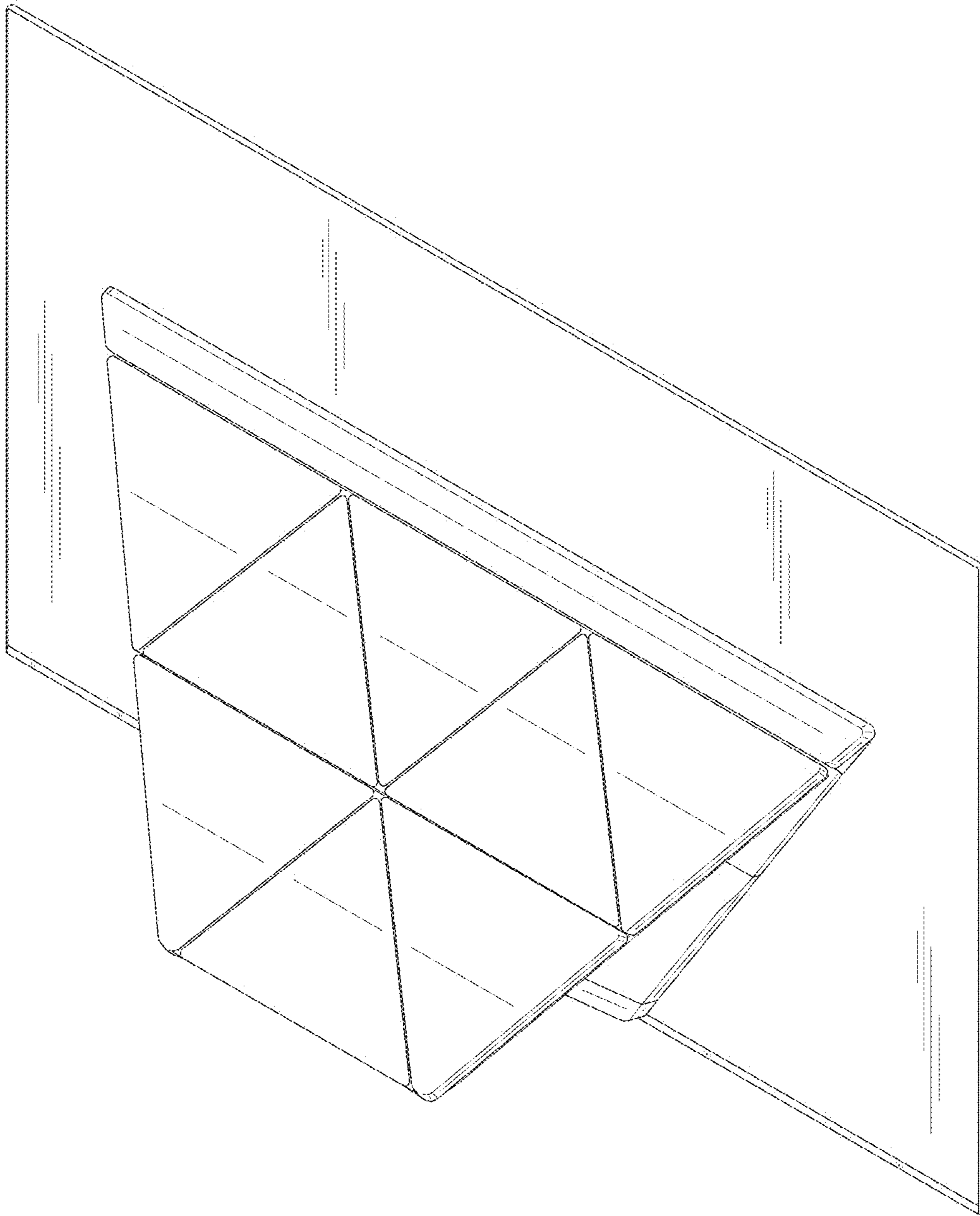


FIG. 2



FIG. 3

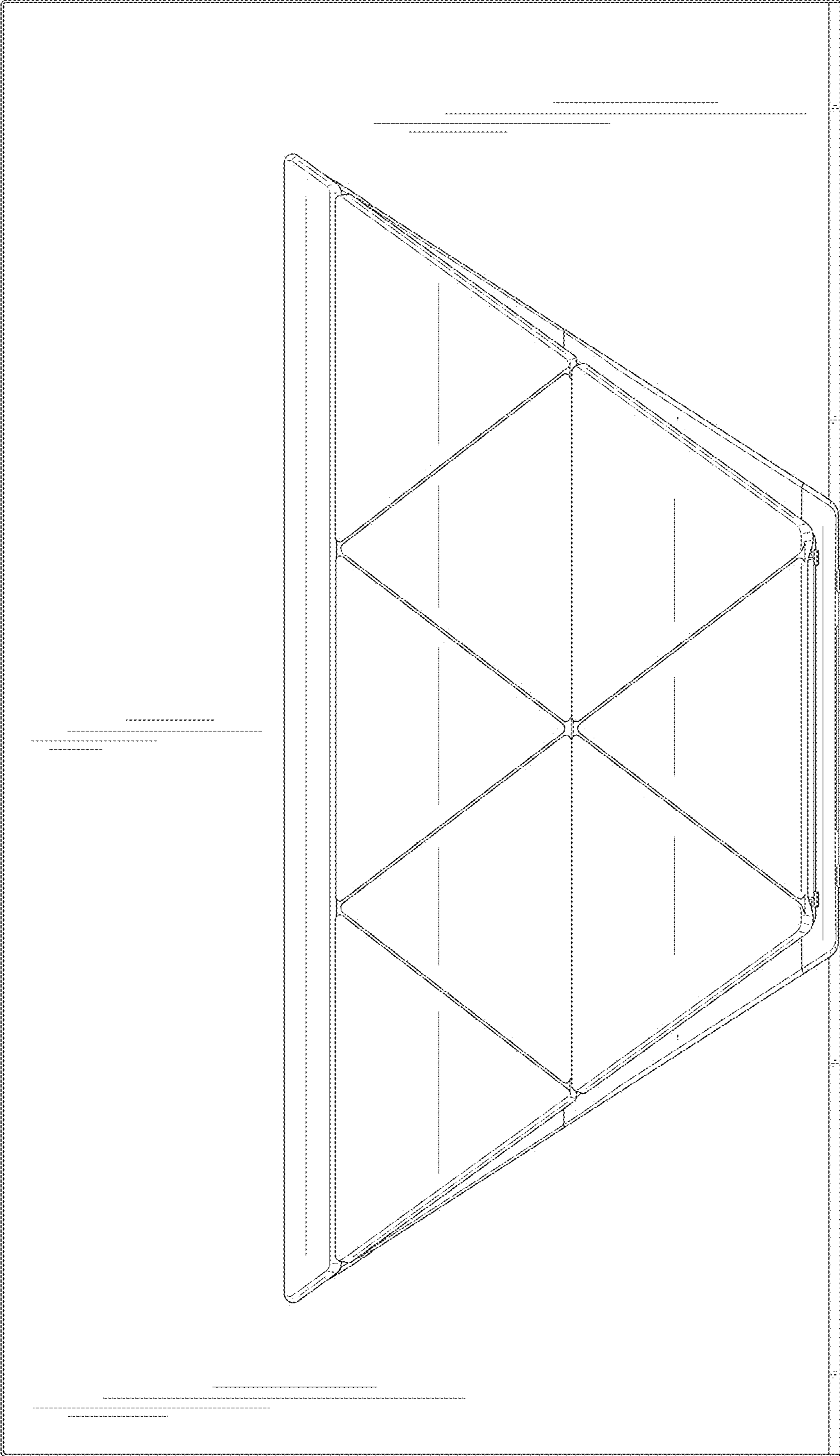


FIG. 5

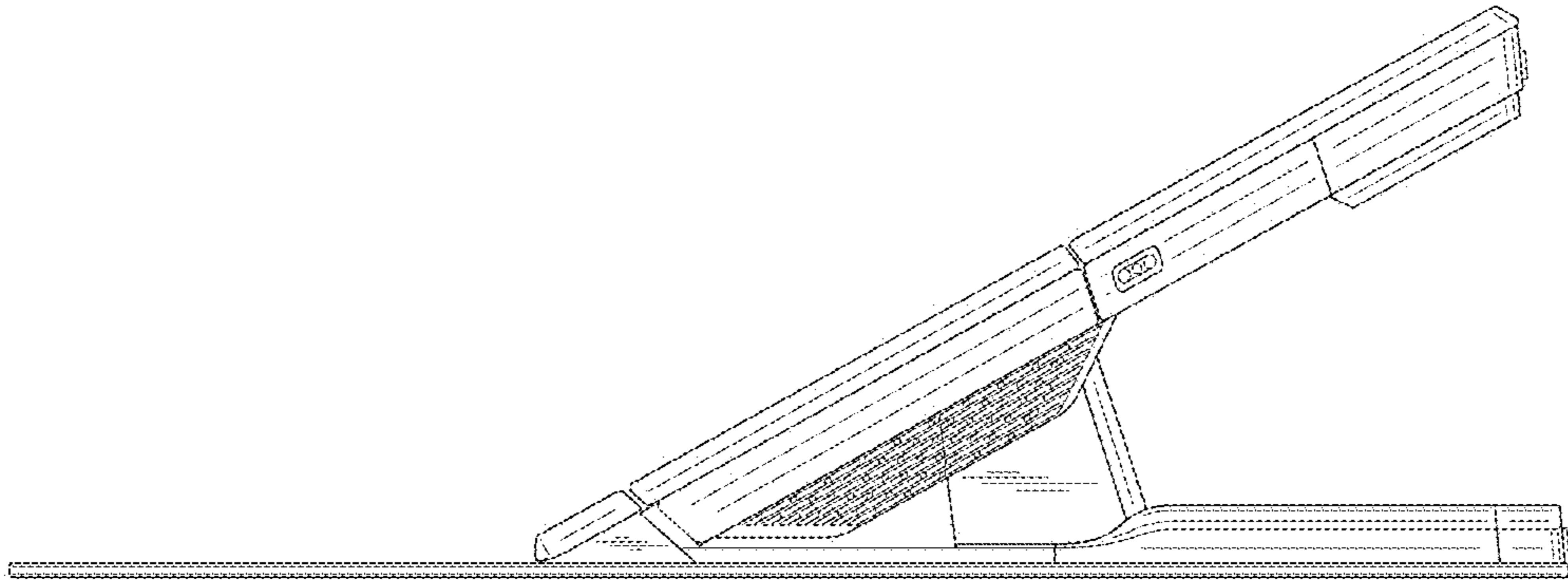


FIG. 4

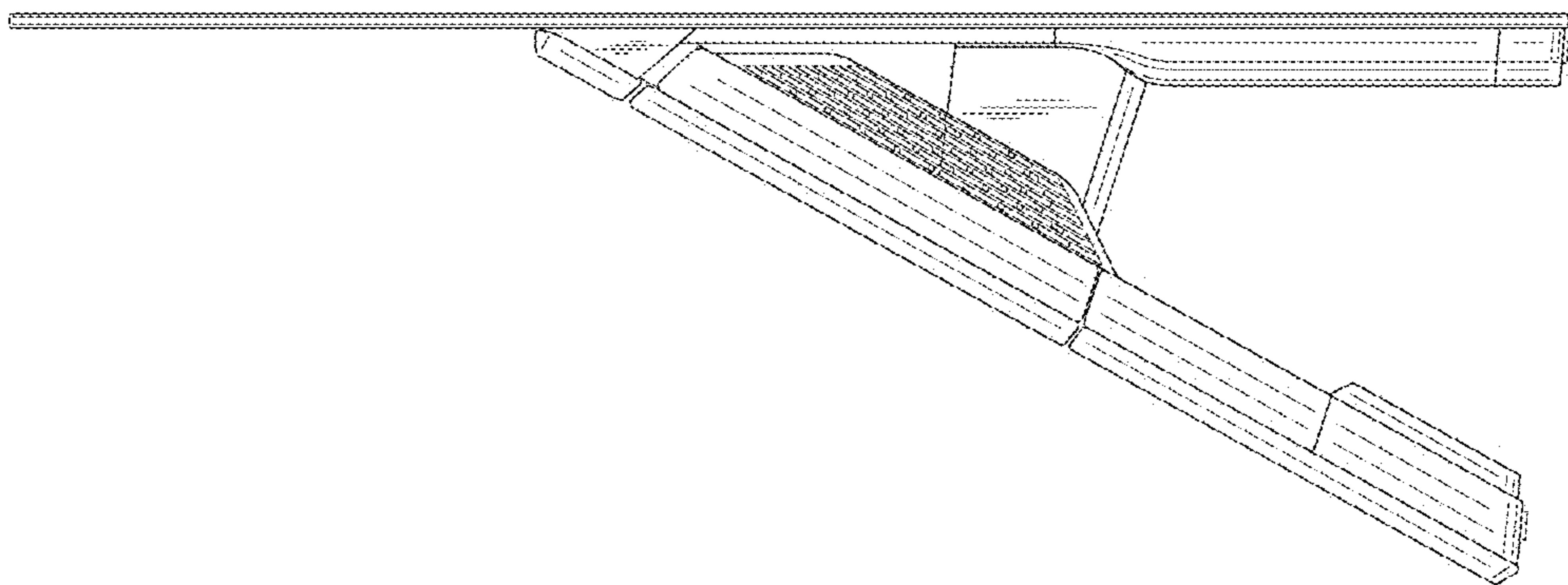


FIG. 6

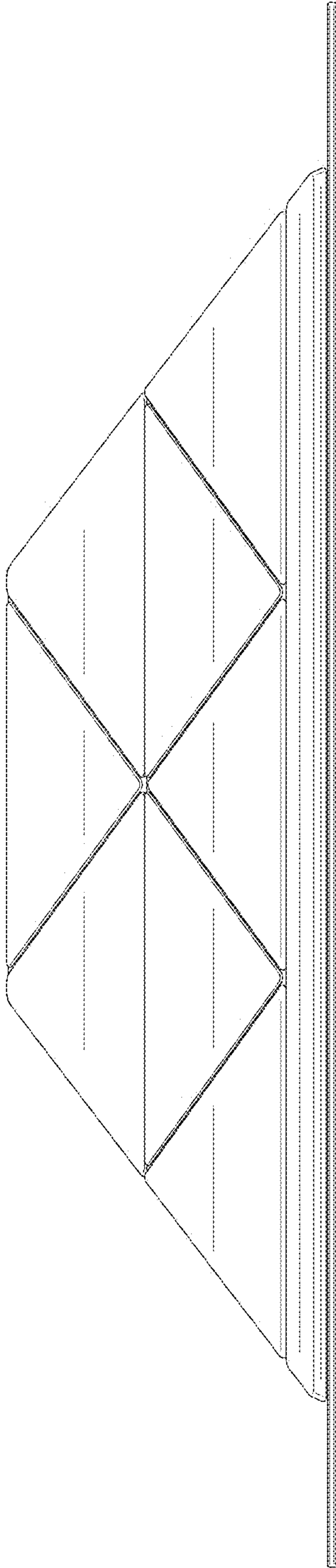


FIG. 7

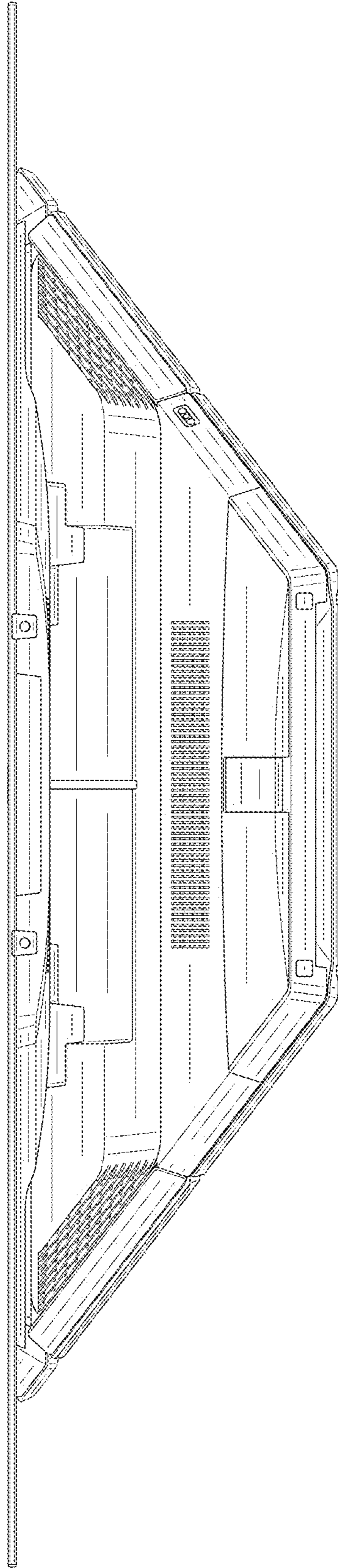


FIG. 8

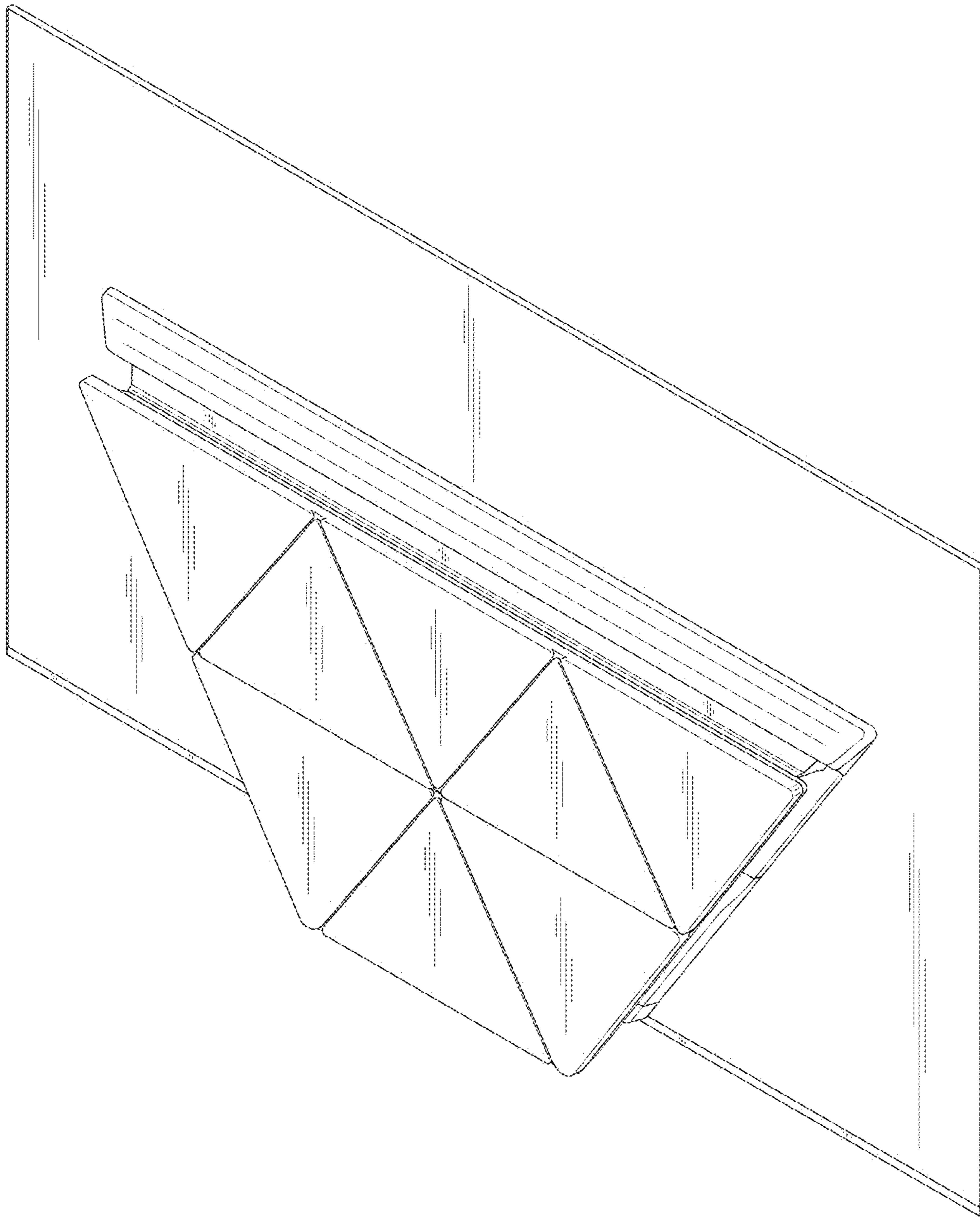


FIG. 9

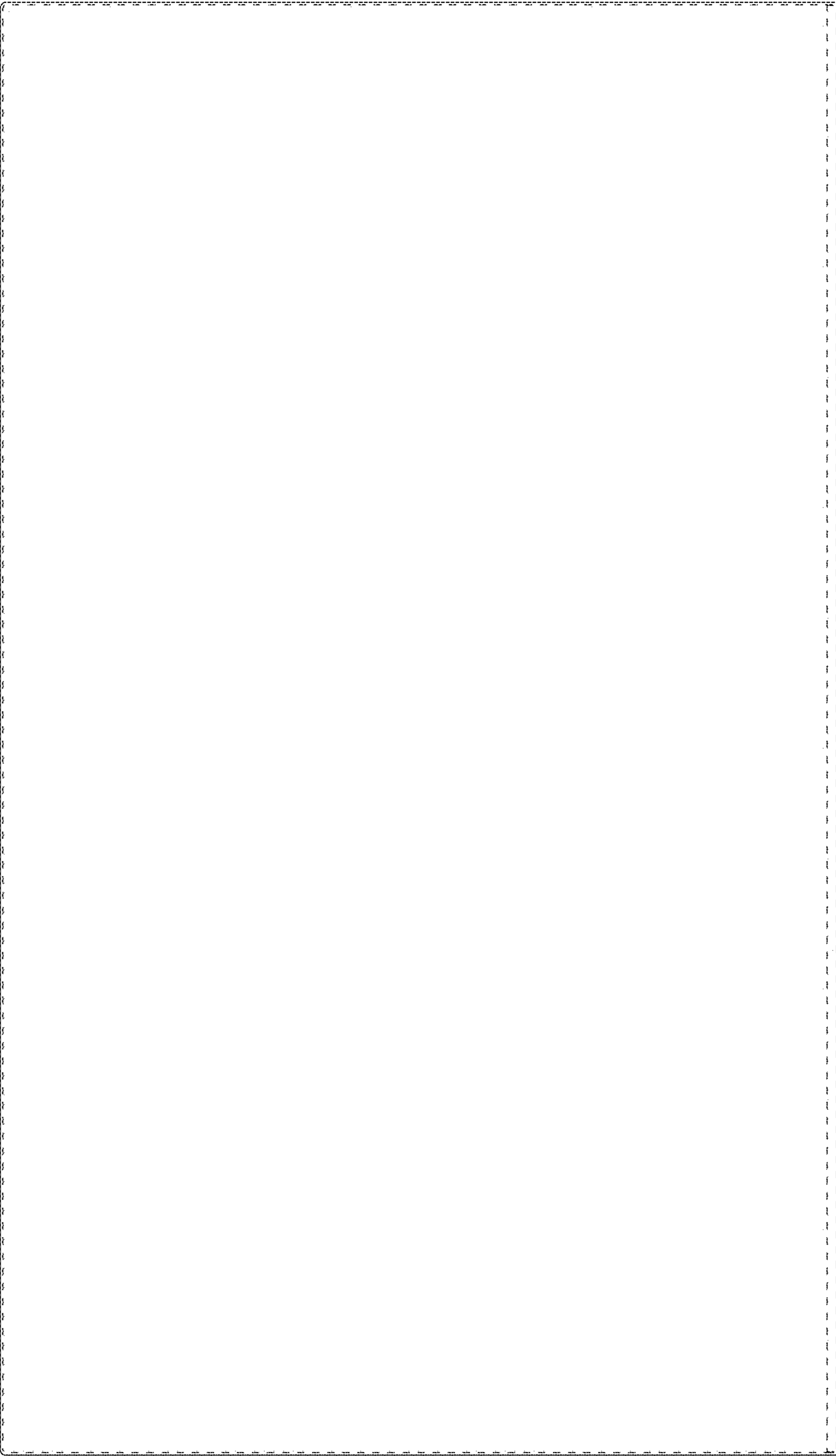


FIG. 10

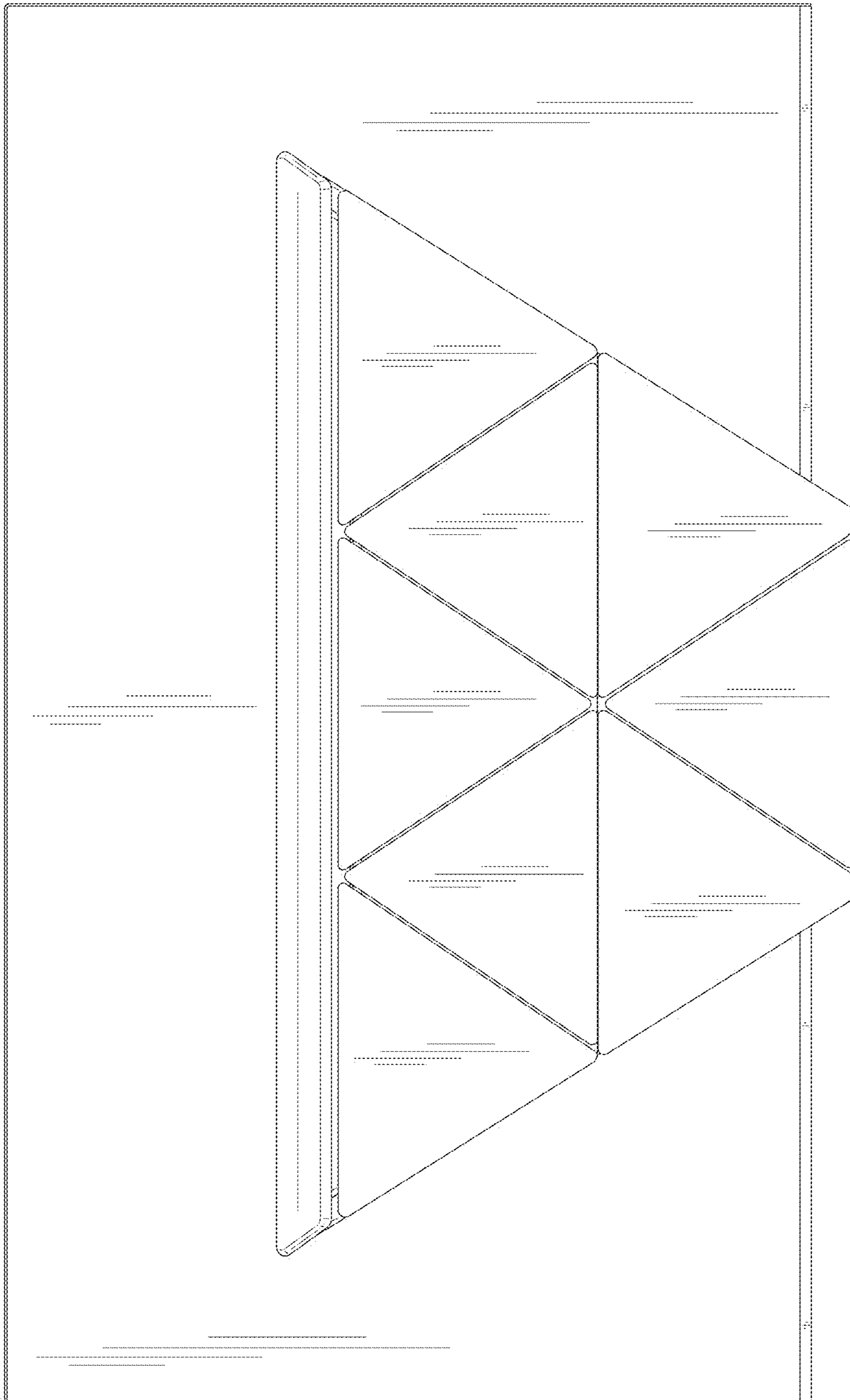


FIG. 12

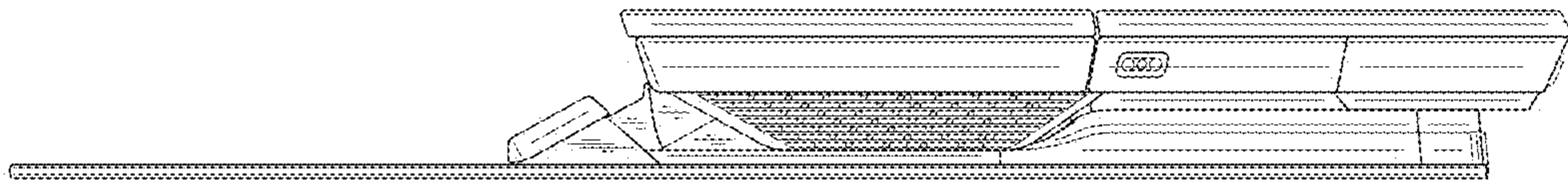


FIG. 11

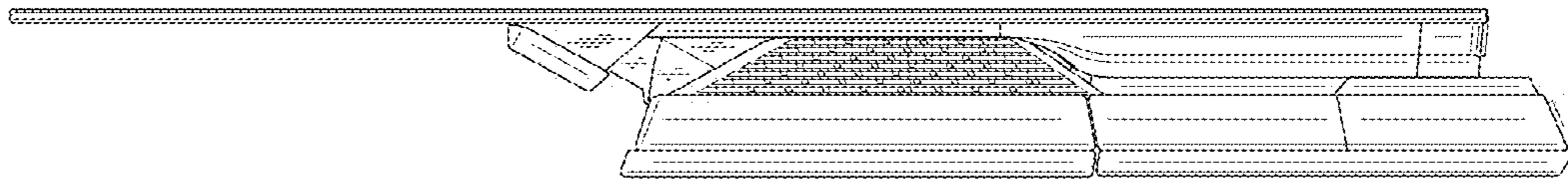


FIG. 13

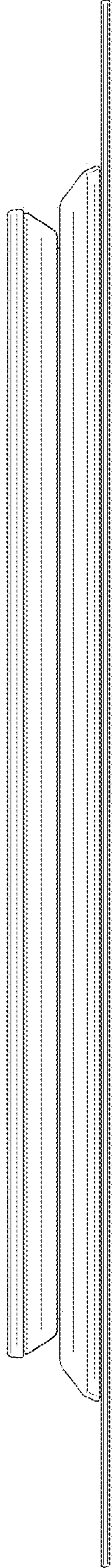


FIG. 14

