



US00D887367S

(12) **United States Design Patent**
Howard

(10) **Patent No.:** **US D887,367 S**
(45) **Date of Patent:** **** Jun. 16, 2020**

(54) **CHAIN CONNECTOR**

(71) Applicant: **ACTEURO LIMITED**,
Nottinghamshire (GB)

(72) Inventor: **Peter Howard**, Taren Point (AU)

(73) Assignee: **ACTEURO LIMITED**,
Nottinghamshire (GB)

(**) Term: **15 Years**

(21) Appl. No.: **29/668,622**

(22) Filed: **Oct. 31, 2018**

(30) **Foreign Application Priority Data**

May 11, 2018 (AU) 201812789

(51) **LOC (12) Cl.** **13-03**

(52) **U.S. Cl.**
USPC **D13/155**

(58) **Field of Classification Search**
USPC D13/118, 133, 146, 147, 154, 155, 173,
D13/184, 199; D8/354, 56, 382,
D8/394-396, 499

CPC F16G 13/00; F16G 13/02; F16G 13/16;
F16G 15/00; G01V 1/16; G02B 6/44;
H02G 11/00

See application file for complete search history.

(56) **References Cited**

U.S. PATENT DOCUMENTS

1,456,361 A * 5/1923 Clark F16G 15/02
59/87

5,836,148 A * 11/1998 Fukao F16G 13/16
59/78.1

5,842,338 A * 12/1998 Forster F16G 15/00
59/85

D760,171 S * 6/2016 Howard D13/155

10,221,994 B2 * 3/2019 Baiera E04H 12/22

2004/0112625 A1 * 6/2004 Sheikholeslami F16G 13/16
174/68.1
2009/0218451 A1 * 9/2009 Lundborg F16L 5/02
248/56
2012/0042481 A1 * 2/2012 Kempf H02G 1/06
24/116 R
2013/0148937 A1 * 6/2013 Rudenick G02B 6/46
385/136

(Continued)

FOREIGN PATENT DOCUMENTS

WO WO-2010132936 A1 * 11/2010 F16G 13/16

OTHER PUBLICATIONS

Cable carrier basics on wireandcabletips.com, dated Nov. 26, 2013,
[online], [site visited Mar. 24, 2020]. Available from Internet, URL:
<https://www.wireandcabletips.com/cable-carrier-basics/> (Year: 2013).*

(Continued)

Primary Examiner — Angela J Lee
Assistant Examiner — Shawn T Gingrich

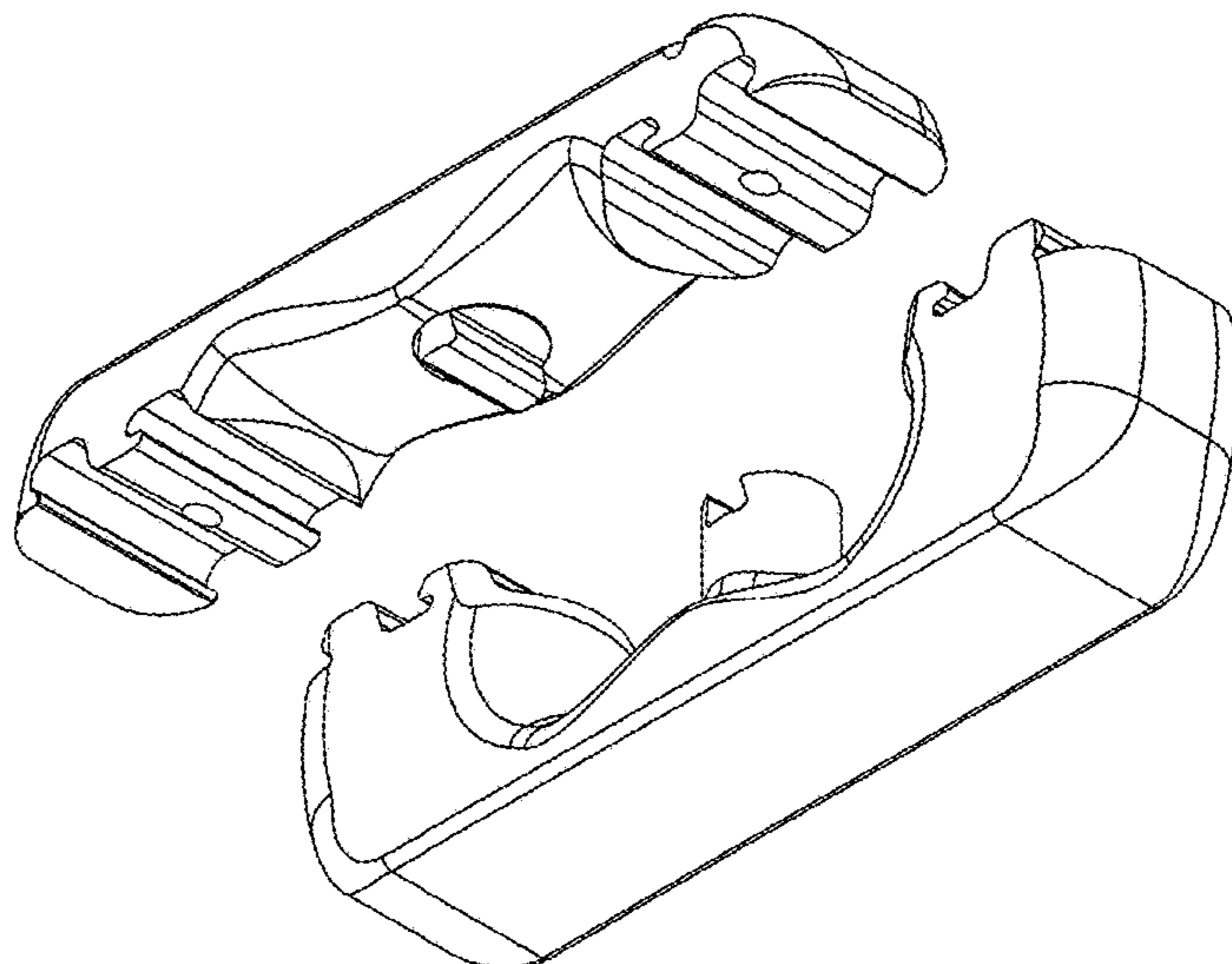
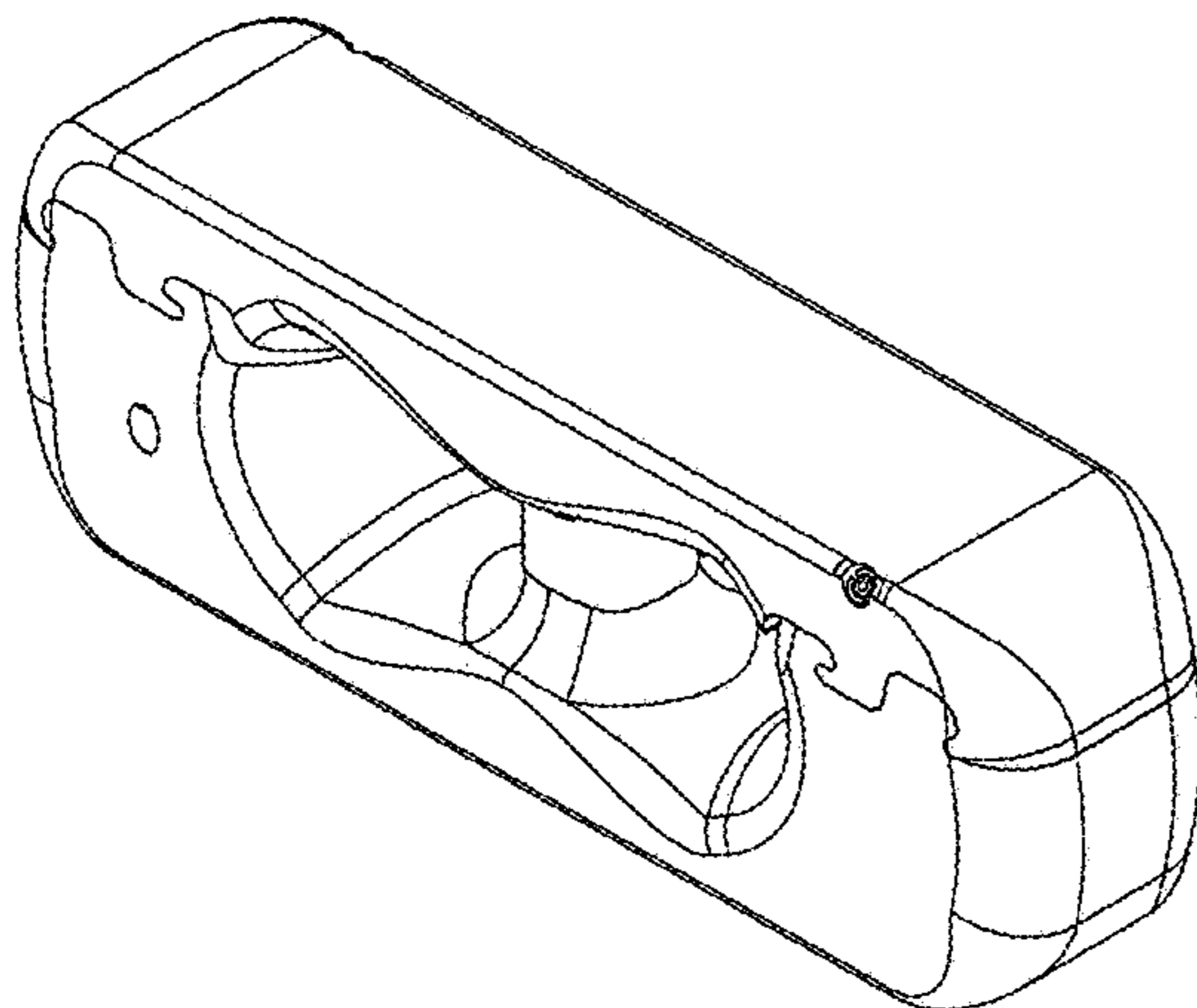
(57) **CLAIM**

The ornamental design for a chain connector, as shown and described.

DESCRIPTION

FIG. 1 is a front elevation of a chain connector;
FIG. 2 is a rear elevation of the chain connector;
FIG. 3 is a left side elevation of the chain connector;
FIG. 4 is a right side elevation of the chain connector;
FIG. 5 is top plan view of the chain connector;
FIG. 6 is a bottom plan view of the chain connector;
FIG. 7 is an isometric view of the chain connector;
FIG. 8 is an exploded isometric view of the chain connector;
and,
FIG. 9 is an inverted exploded isometric view of the chain connector.

1 Claim, 3 Drawing Sheets



(56)

References Cited

U.S. PATENT DOCUMENTS

2013/0283755 A1* 10/2013 Walenta B60C 27/08
59/85
2014/0151199 A1* 6/2014 Blase F16G 13/16
198/850
2016/0149384 A1* 5/2016 Lu H02G 3/0475
59/78.1

OTHER PUBLICATIONS

Cable chain kit assembly on youtube.com, dated Jul. 13, 2014,
[online], [site visited Mar. 24, 2020]. Available from Internet, URL:
[https://www.youtube.com/watch?v=3O998v_W_SM&feature=emb_](https://www.youtube.com/watch?v=3O998v_W_SM&feature=emb_logo)
logo (Year: 2014).*

* cited by examiner

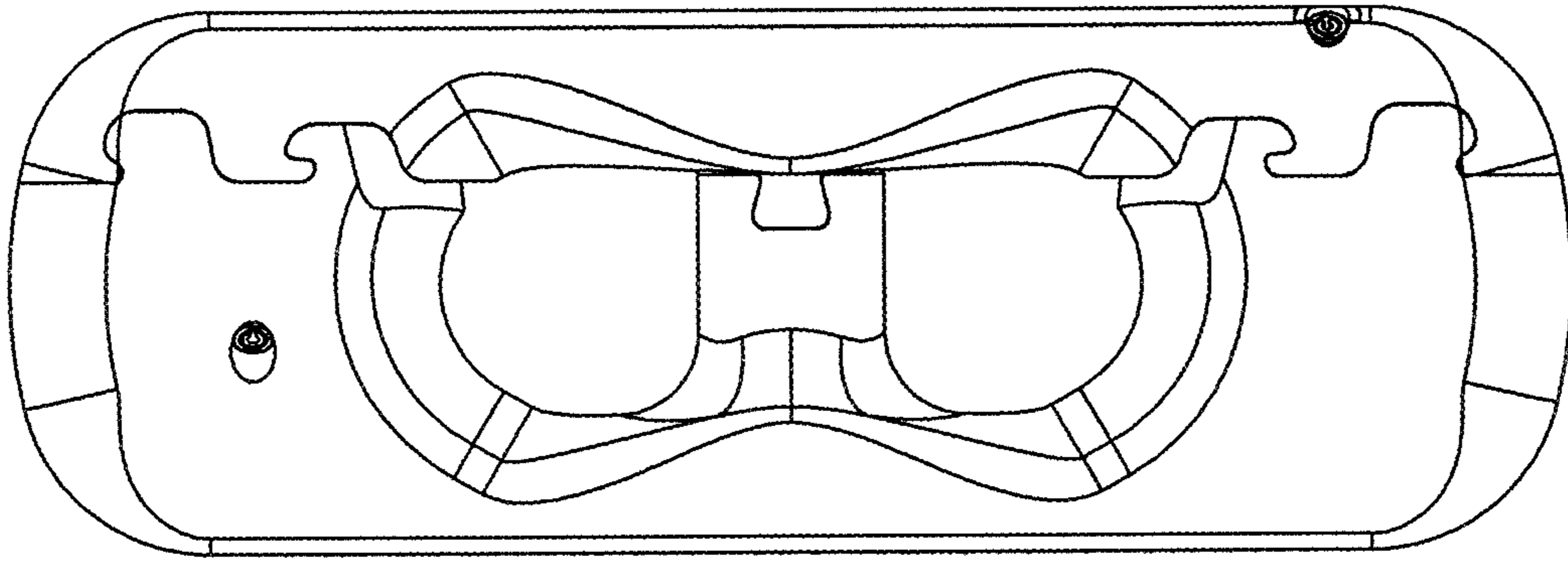


FIG 1

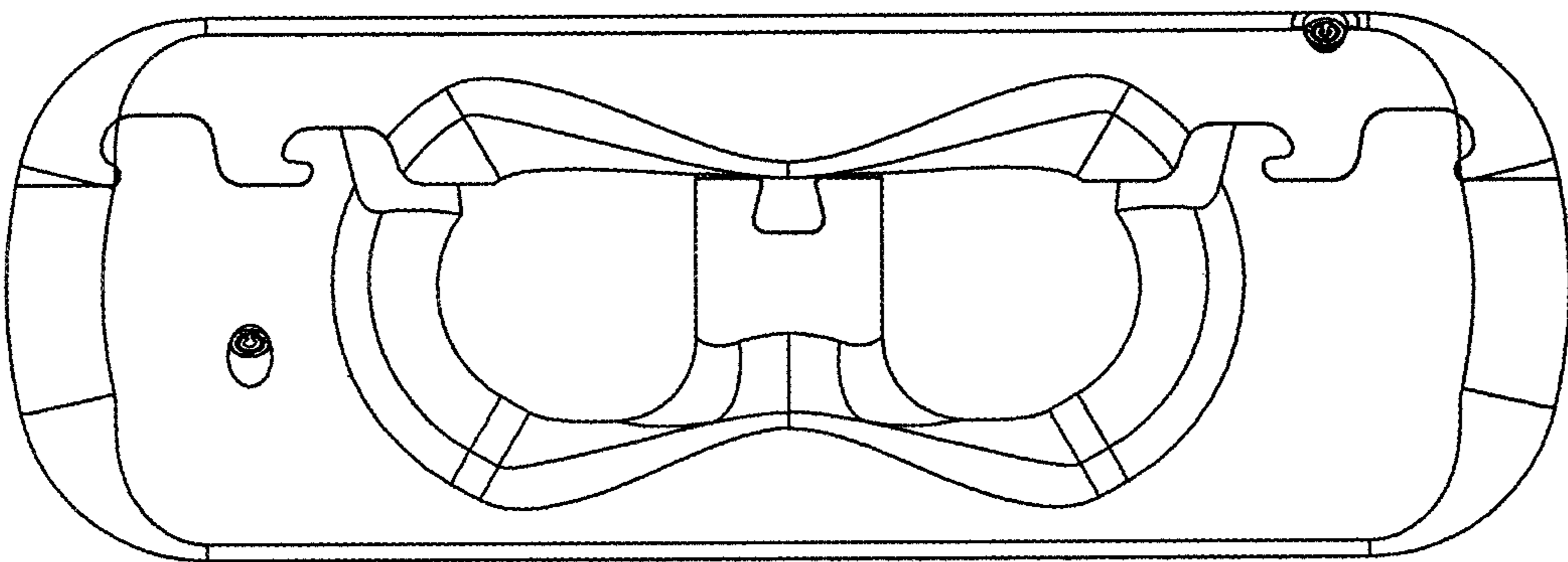


FIG 2

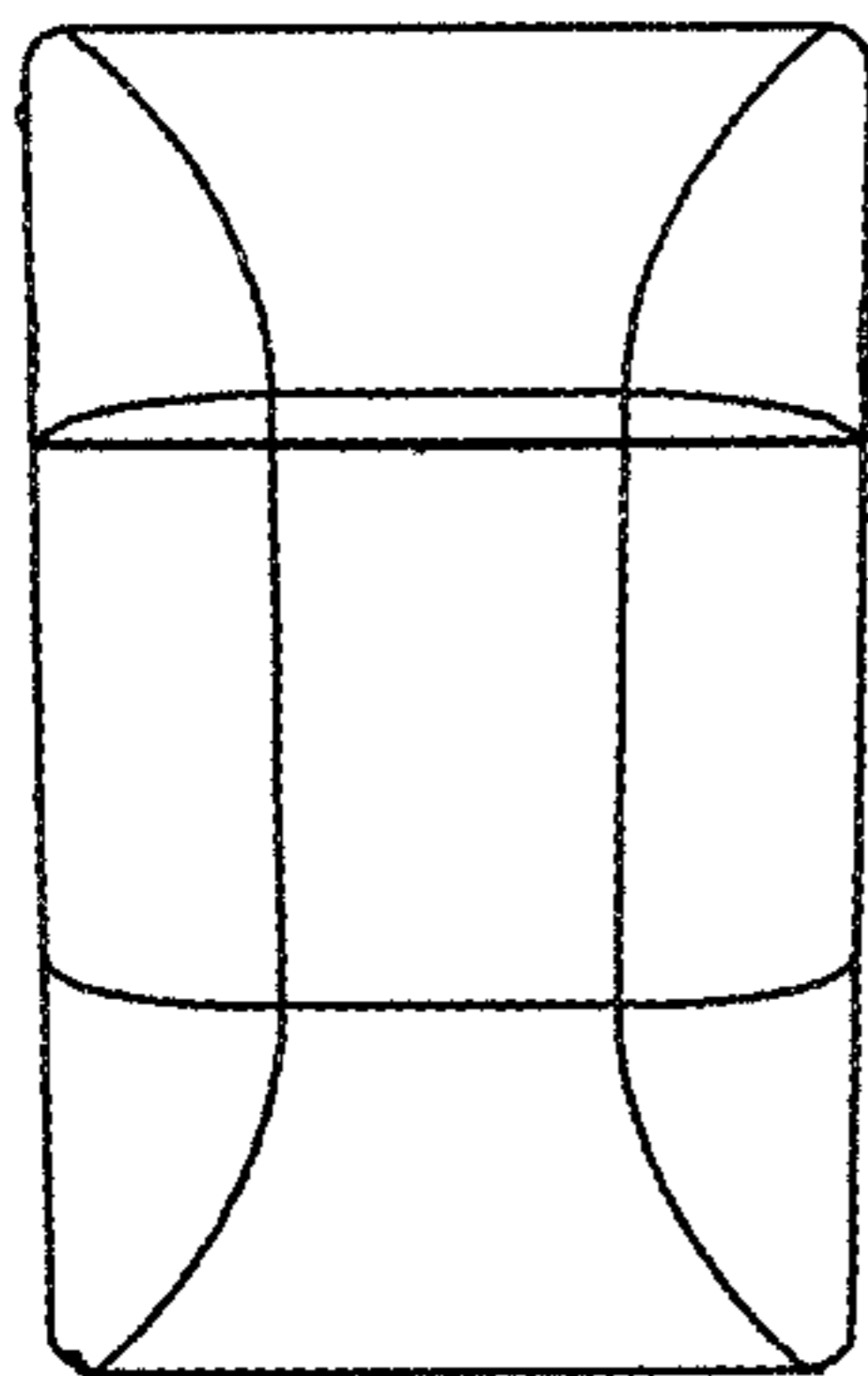


FIG 3

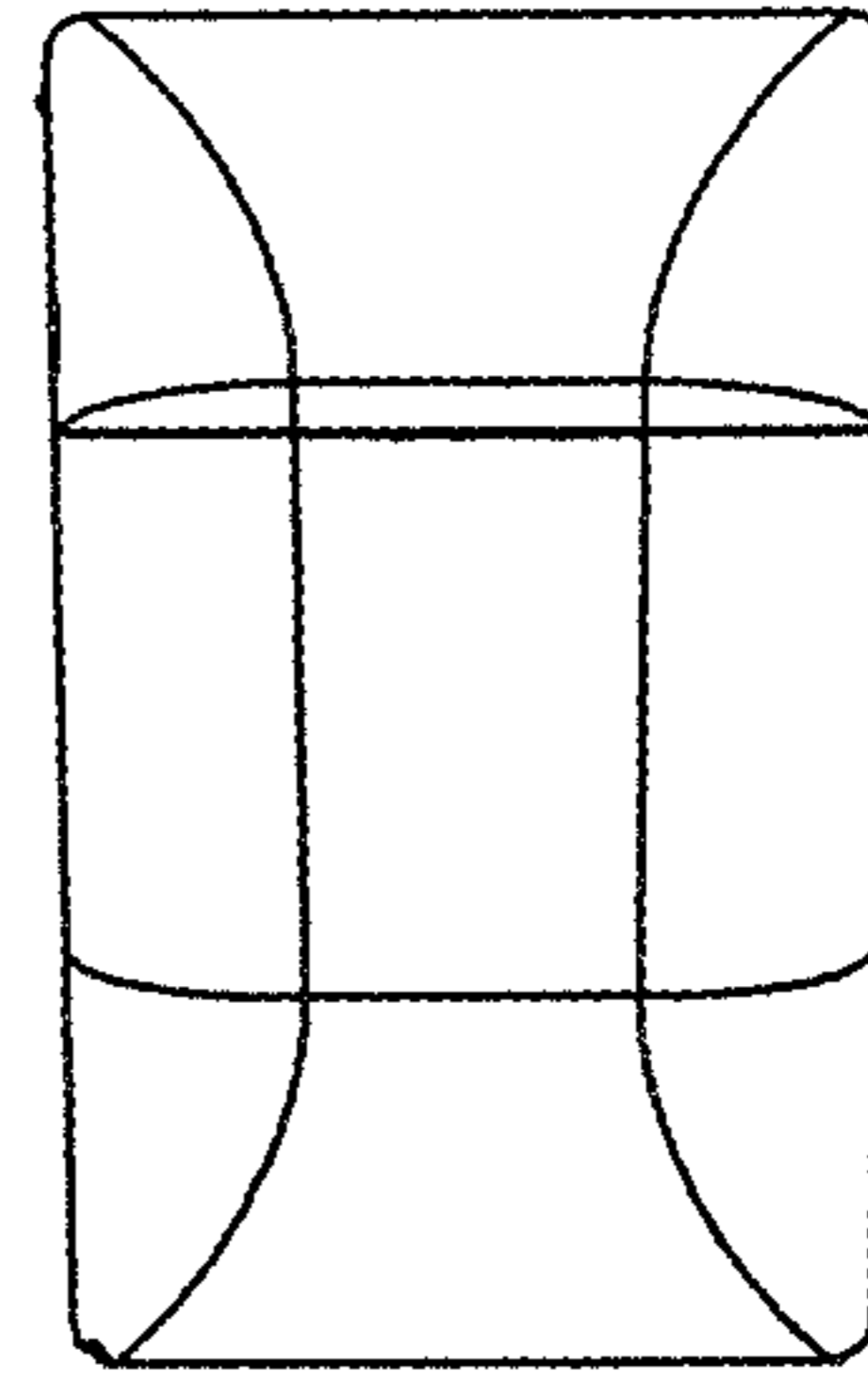


FIG 4

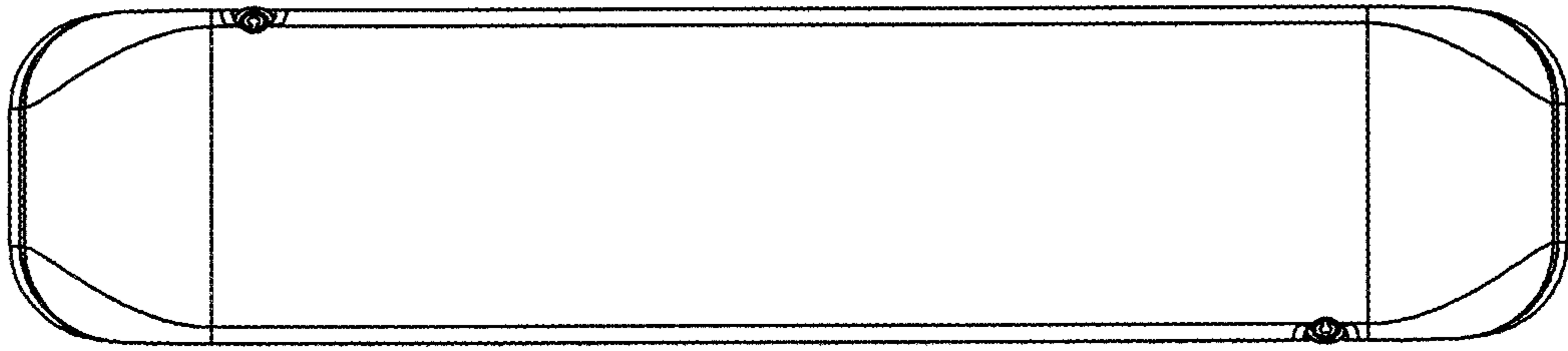


FIG 5

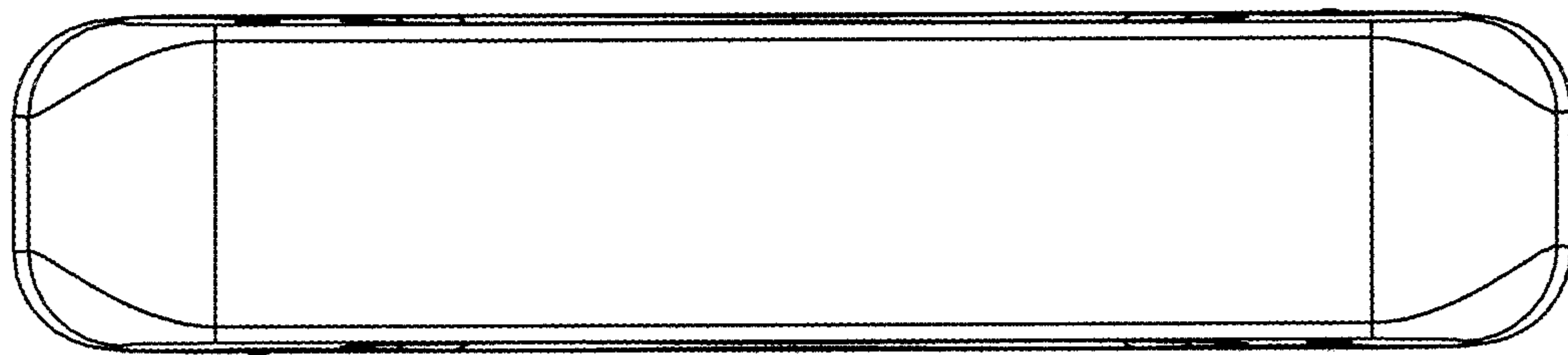


FIG 6

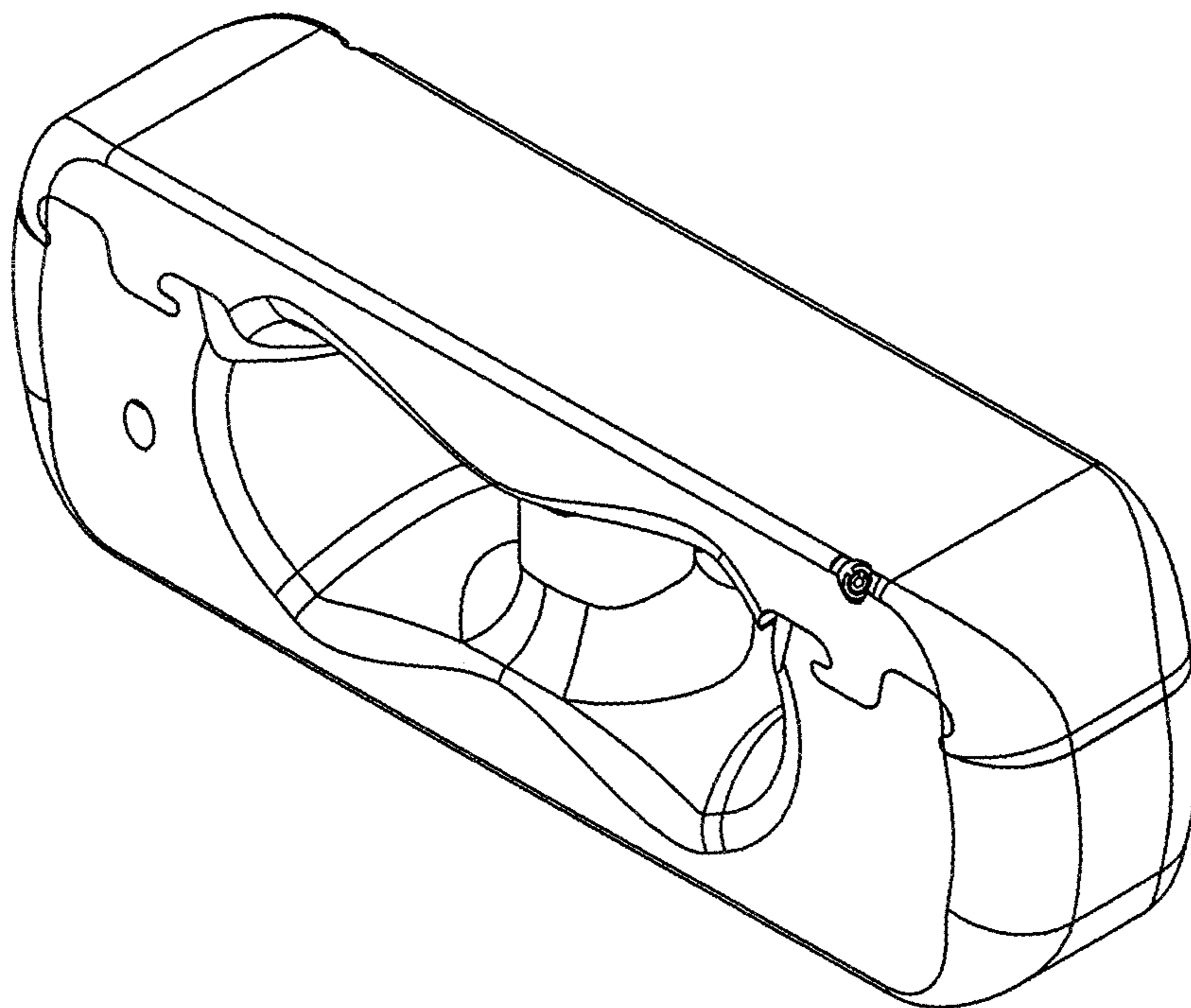


FIG 7

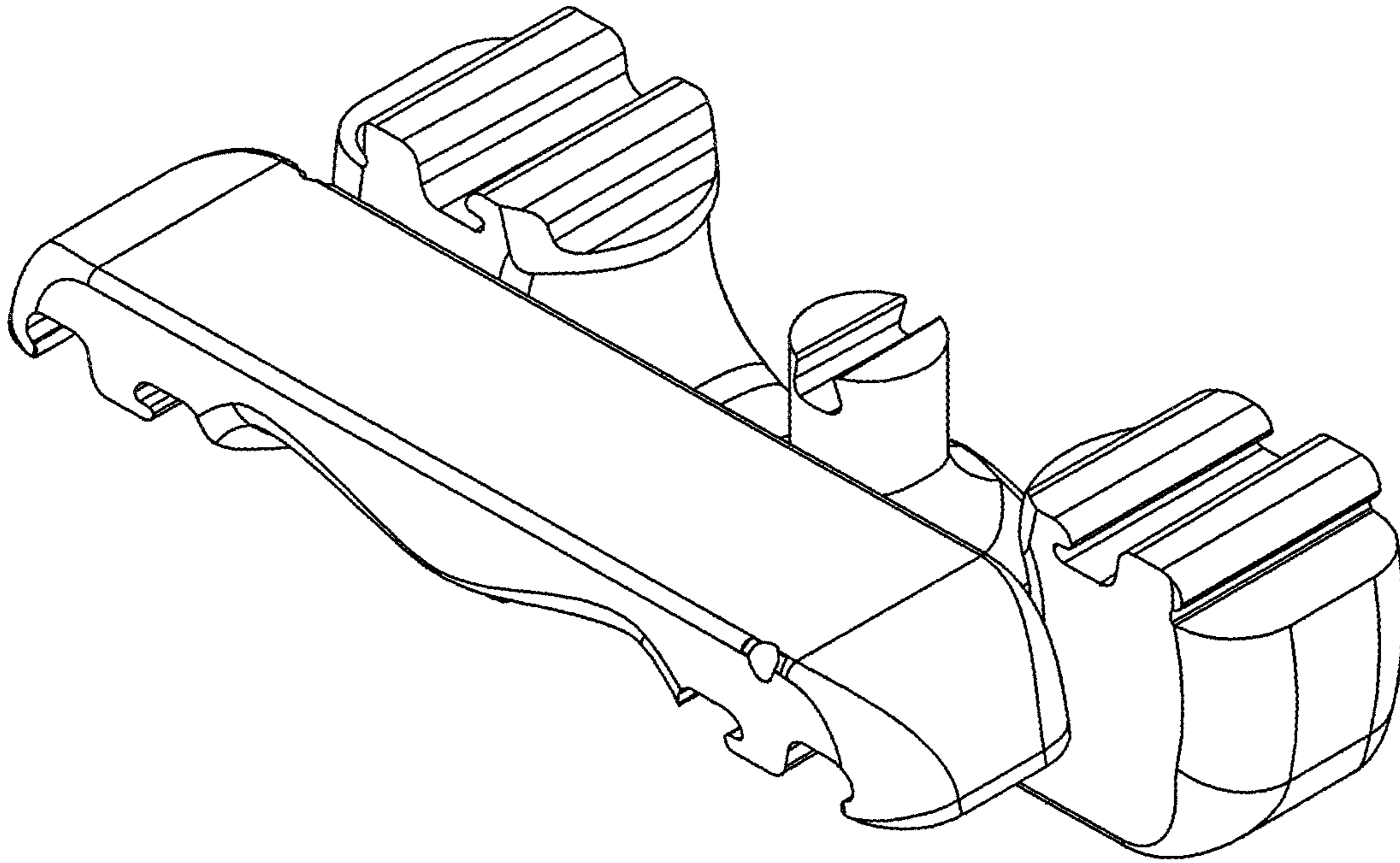


FIG 8

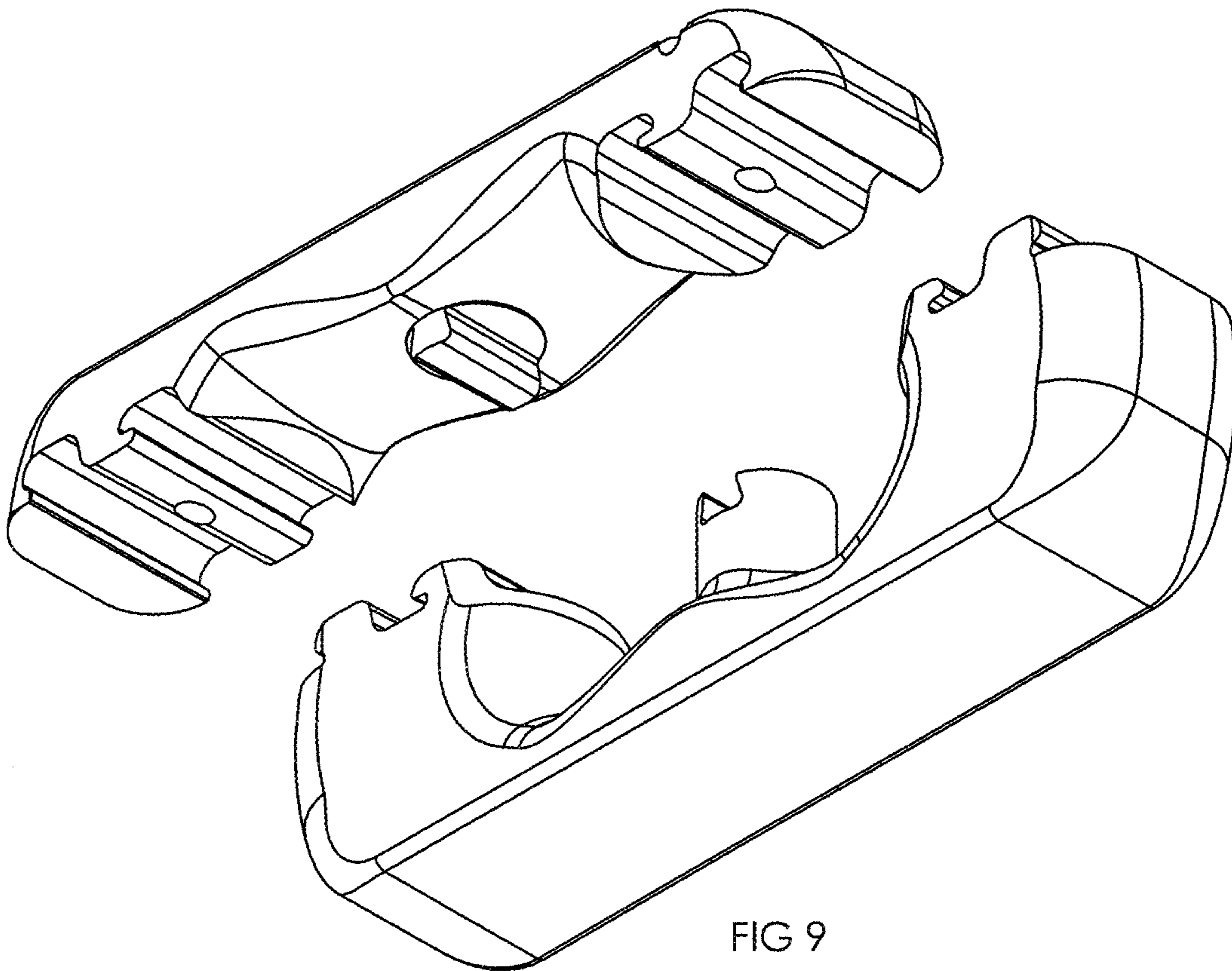


FIG 9