



US00D887366S

(12) **United States Design Patent**
Madathil Sankarankutty Nair et al.

(10) **Patent No.:** **US D887,366 S**
(45) **Date of Patent:** **** Jun. 16, 2020**

(54) **POWER SUPPLY HOUSING**

- (71) Applicant: **Appleton Grp LLC**, Rosemont, IL (US)
- (72) Inventors: **Satheesh Madathil Sankarankutty Nair**, Pune (IN); **Rudy Mark D. Halcon**, San Isidro Antipolo (PH); **Raymond A. Dubiel**, Palatine, IL (US); **Warren K. Fleras**, Chicago, IL (US)
- (73) Assignee: **Appleton Grp LLC**, Rosemont, IL (US)

- (**) Term: **15 Years**
- (21) Appl. No.: **29/632,537**
- (22) Filed: **Jan. 8, 2018**

(30) **Foreign Application Priority Data**

Jul. 20, 2017 (IN) 295970

(51) **LOC (12) Cl.** **13-03**

(52) **U.S. Cl.**
USPC **D13/152**

(58) **Field of Classification Search**
 USPC D13/102–110, 118–119, 184, 199, 152, D13/124; D14/356, 432
 CPC Y02E 60/10; Y02E 60/12; Y02E 60/122; Y02E 60/124; Y02E 60/50; H01M 2/02; H01M 2/022; H01M 2/0202; H01M 2/0207; H01M 2/0212; H01M 2/1061; H01M 2/1022; H01M 2/1055; H01M 2/1066; H01M 2/105; H01M 2/20; H01M 2/204; H01M 2/206; H01M 10/44; H01M 10/46; H01M 10/465; H01M 10/482; H01M

(Continued)

(56) **References Cited**

U.S. PATENT DOCUMENTS

- 3,197,548 A * 7/1965 Weitzman H02G 3/10 174/58
- 4,664,281 A * 5/1987 Falk H02G 3/088 174/50

(Continued)

OTHER PUBLICATIONS

Pre-2018 Prior Art Sola SCP-X Series Power Supply Housing, 4 pages.

(Continued)

Primary Examiner — Nathaniel D. Buckner
(74) *Attorney, Agent, or Firm* — McDonnell Boehnen Hulbert & Berghoff LLP

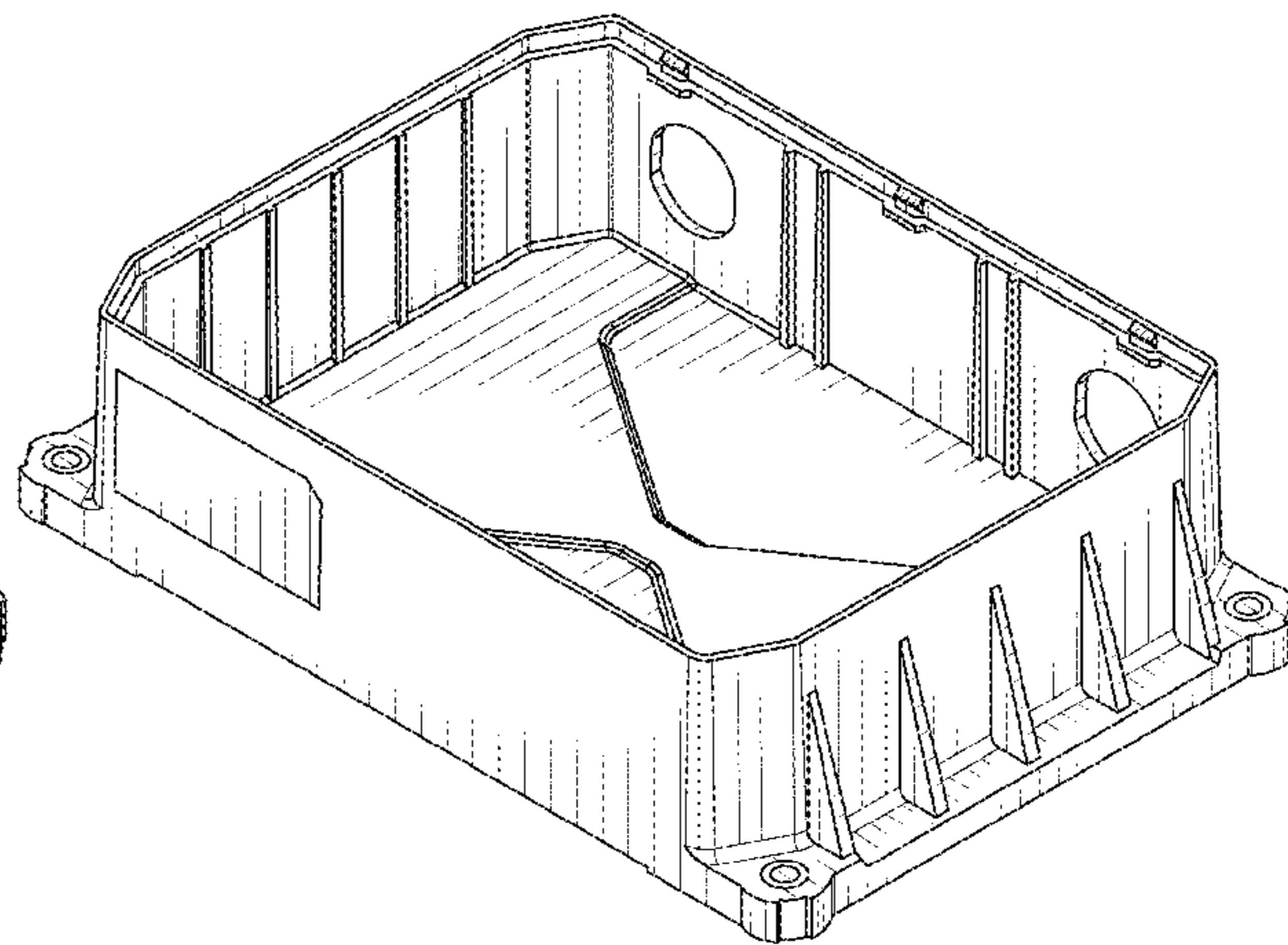
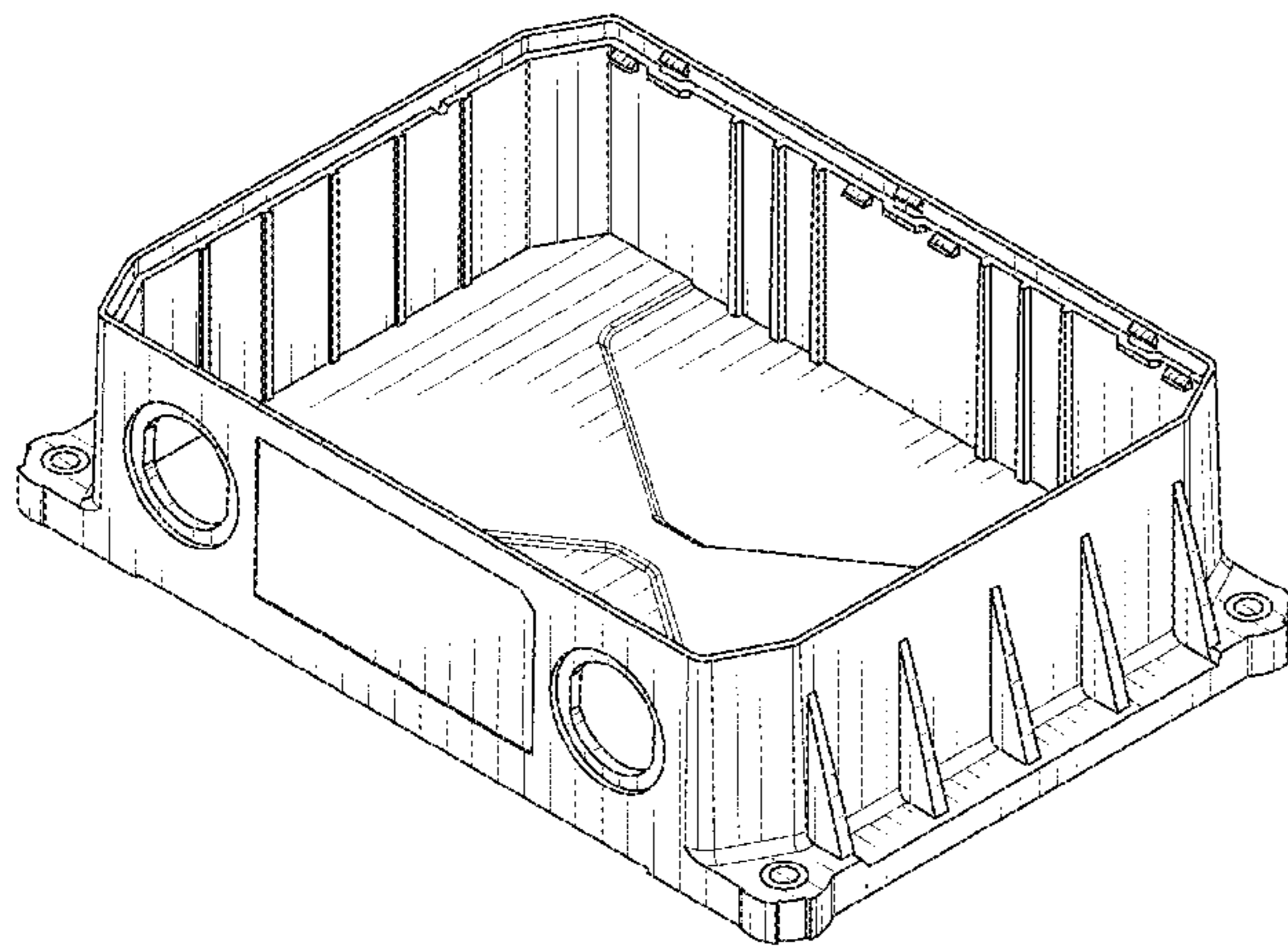
(57) **CLAIM**

The ornamental design for a power supply housing, as shown and described.

DESCRIPTION

FIG. 1 is a front left perspective view of a power supply housing having the inventive design;
 FIG. 2 is a front right perspective top view of the power supply housing shown in FIG. 1;
 FIG. 3 is a bottom right perspective view of the power supply housing shown in FIG. 1;
 FIG. 4 is a bottom left perspective view of the power supply housing shown in FIG. 1;
 FIG. 5 is a top side view of the power supply housing shown in FIG. 1;
 FIG. 6 is a bottom view of the power supply housing shown in FIG. 1;
 FIG. 7 is a front view of the power supply housing shown in FIG. 1;
 FIG. 8 is a rear view of the power supply housing shown in FIG. 1;
 FIG. 9 is an inverted right side view of the power supply housing shown in FIG. 1; and,
 FIG. 10 is a left side view of the power supply housing shown in FIG. 1.

1 Claim, 8 Drawing Sheets



(58) **Field of Classification Search**

CPC 2200/30; H01M 2250/30; H01M 2250/40;
 H02J 7/00; H02J 7/0003; H02J 7/0011;
 H02J 7/0013; H02J 7/0054; H02J 7/0055;
 H02J 7/0057; H02J 2007/0062; H02G
 3/088; H02G 3/081; H02G 3/14; H02G
 3/083; H02G 3/10; H02G 3/121; H02G
 3/18; H02G 3/185; H02G 3/0493; H02G
 3/085; H02G 3/123; H02G 3/126; H02G
 3/283; Y10S 248/906; Y10S 277/919;
 F21V 11/00; F21V 13/04; F21V 25/10;
 F21V 29/004; F21V 29/507; F21V 29/75;
 F21V 29/763; F21V 29/773

See application file for complete search history.

(56) **References Cited**

U.S. PATENT DOCUMENTS

D335,650 S * 5/1993 Powell D13/152
 6,300,567 B1 * 10/2001 Hayduke H02G 3/083
 174/58
 D461,779 S * 8/2002 Hughes D13/152
 D462,059 S * 8/2002 Hughes D13/152
 D490,309 S * 5/2004 Hayes D3/307
 D553,093 S * 10/2007 Miller D13/152
 D682,791 S * 5/2013 Nikayin D13/152

D721,041 S * 1/2015 Badowski D13/152
 D722,296 S * 2/2015 Taylor D13/152
 D778,241 S * 2/2017 Holbrook D13/152
 D789,880 S * 6/2017 Li D13/102
 10,361,546 B2 7/2019 Nair et al.

OTHER PUBLICATIONS

Versatile, Direct-Mount Power for Extreme Environments, IP67 SCP-X Power Supplies-Class 2 Listed, SolaHD Brochure, 2015, 6 pages.
 Dual Stack Power Supply Product Manual, SCP-X Series 2 x 100 W Models, 2014, 2 pages.
 Mech, Fab Nonmet, Encl, SCP 102D24X-D02, Document No. 502-001914-0001, 1 page.
 Mech, Fab Nonmet, Othr, Single Stack—Ungrounded-24V, 3.8A, Document Nunmber 502-001773-0002, 2013, 2 pages.
 Single Stack Power Supply Product Manual, SCP-X Series 100 W Models, 2015, 2 pages.
 SolaHD Distributors Letter dated Jun. 10, 2015, Re: New Generation of IP67 SCP-X Power Supplies: Versatile, Direct-Mount Power for Extreme Environments, 2 pages.
 SolaHD Data Sheet IP67 SCP-X Extreme Environment Series, 2015, 2 pages.
 SolaHD Chapter 3 Power Supplies: IP67 SCP-X Extreme Environment Series, 2015, pp. 138-140.

* cited by examiner

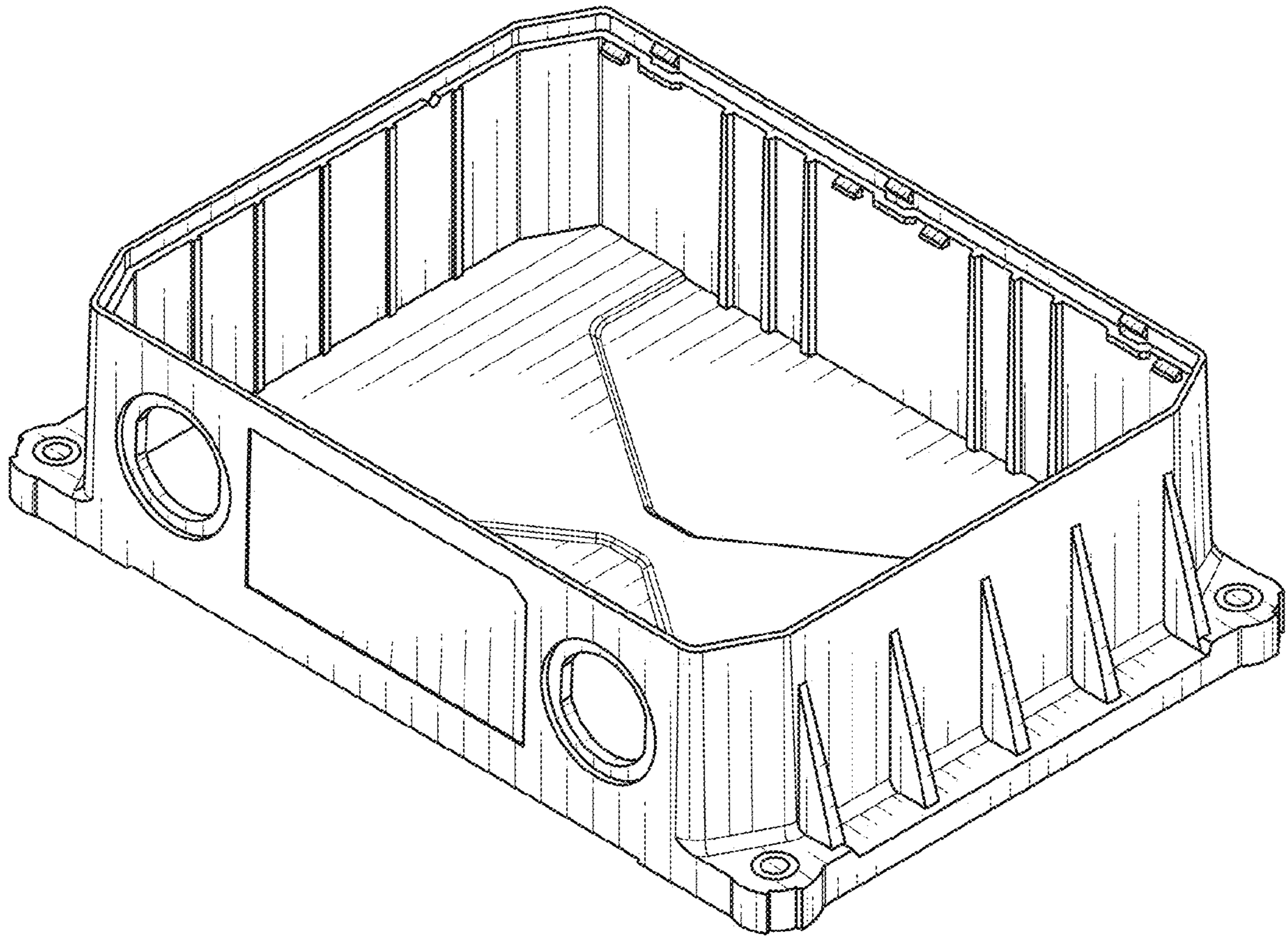


FIG. 1

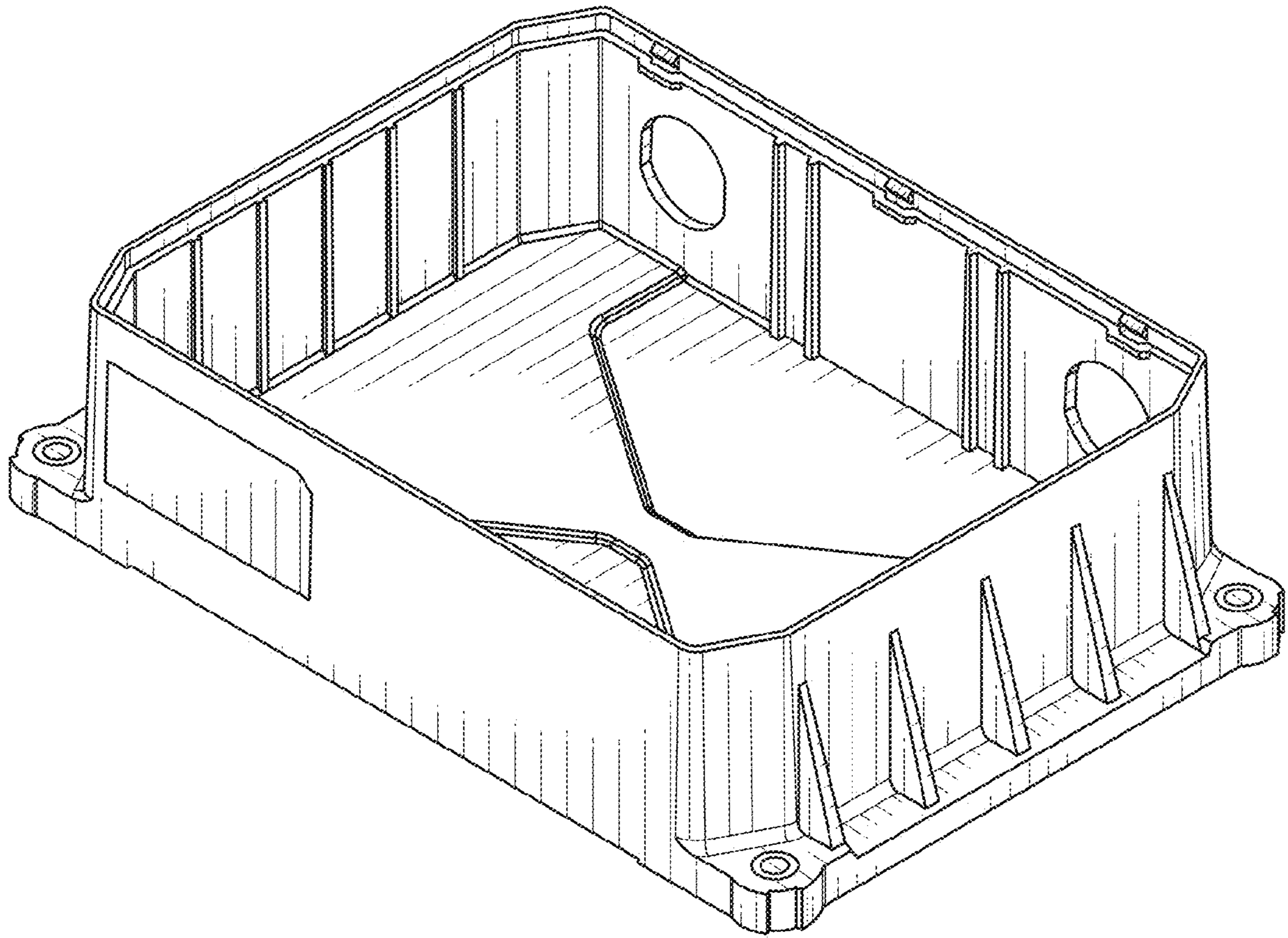


FIG. 2

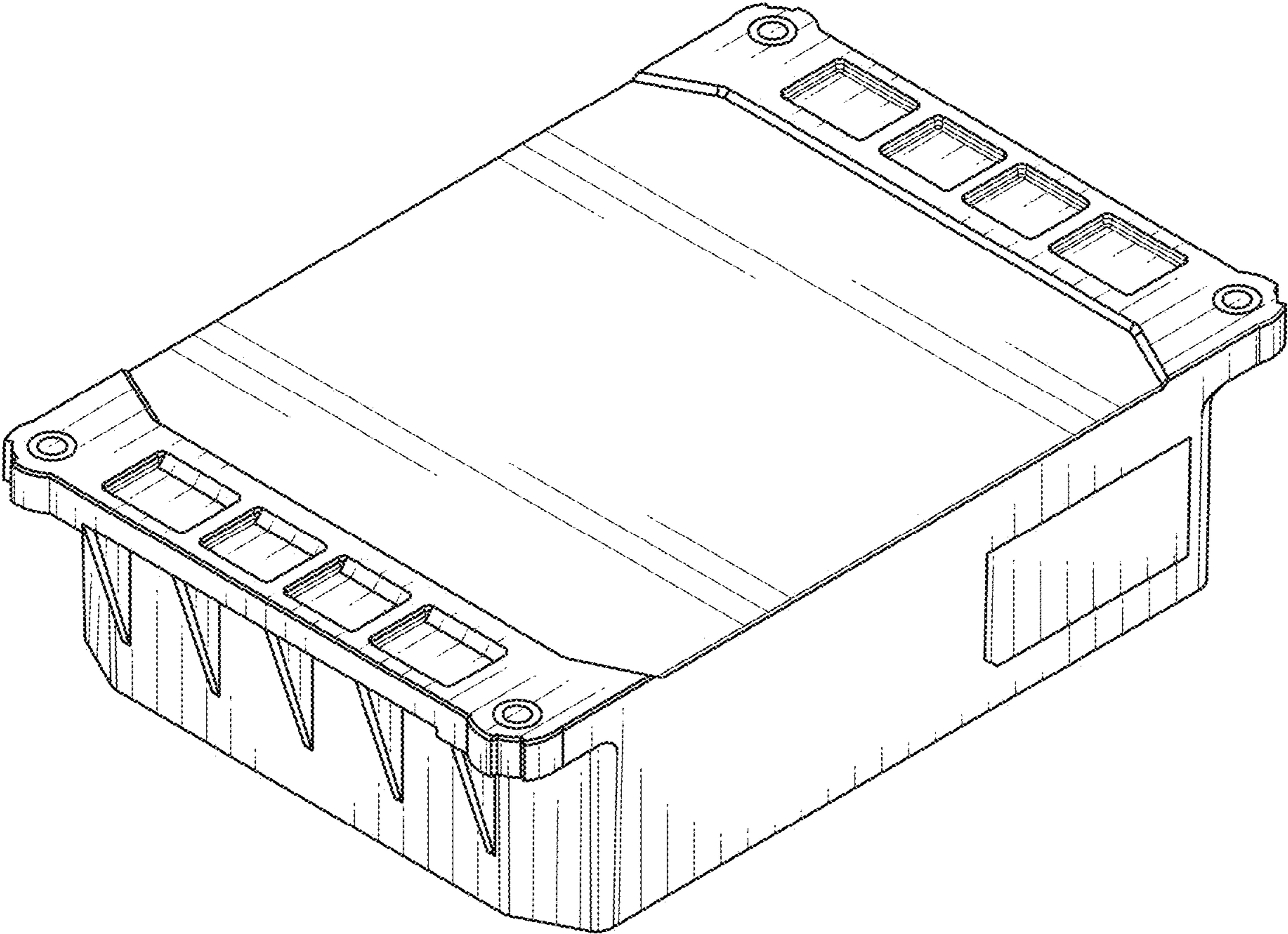


FIG. 3

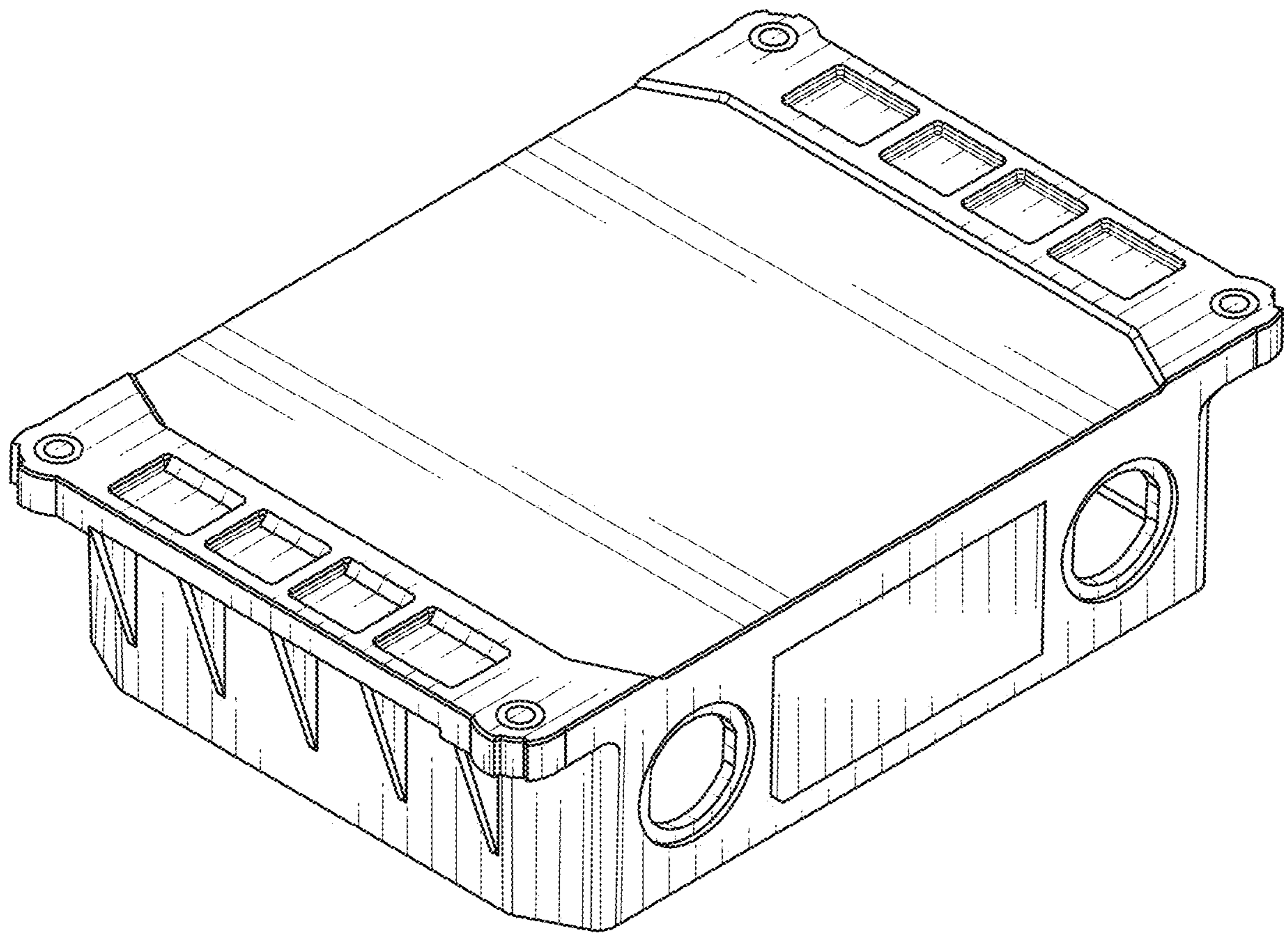


FIG. 4

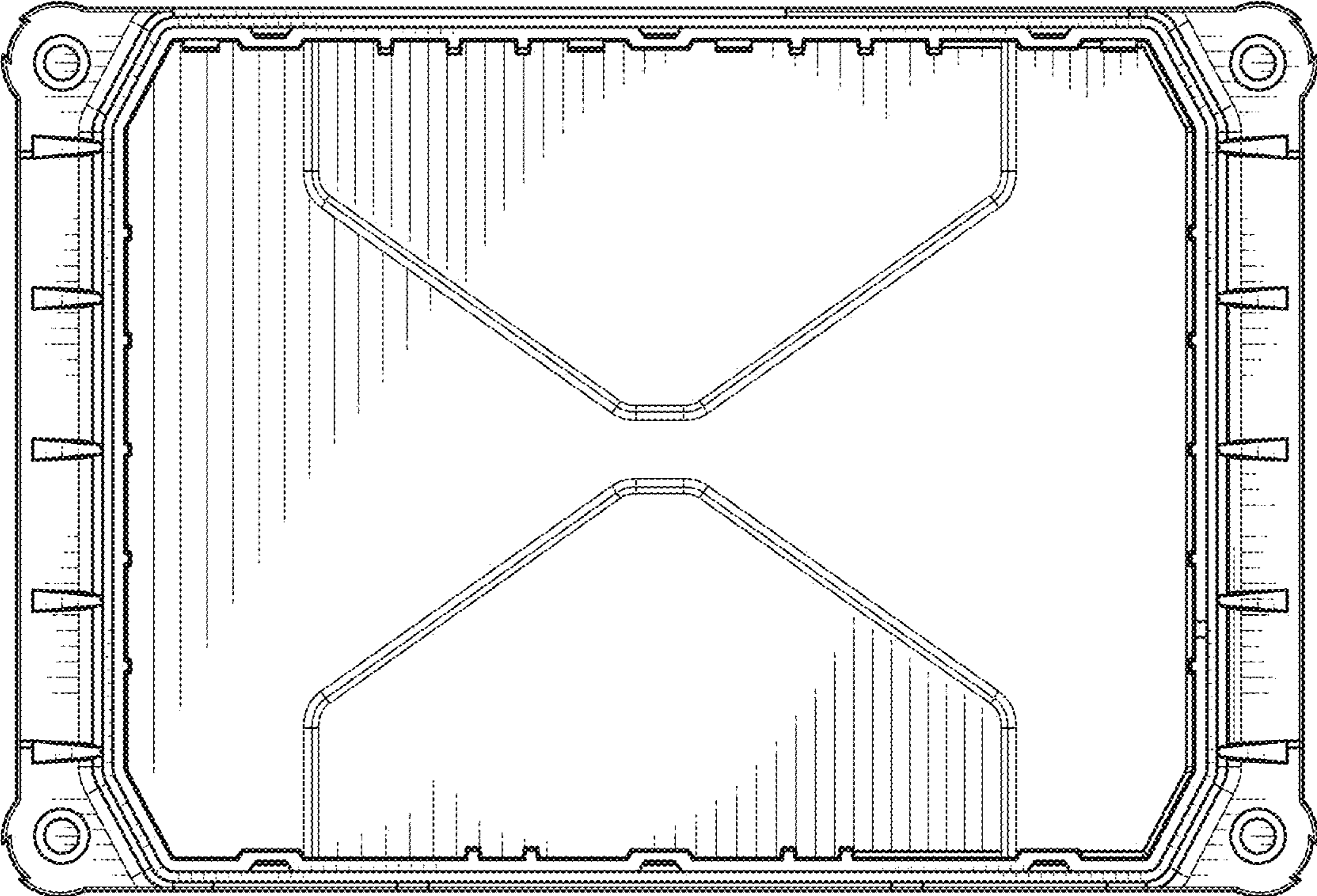


FIG. 5

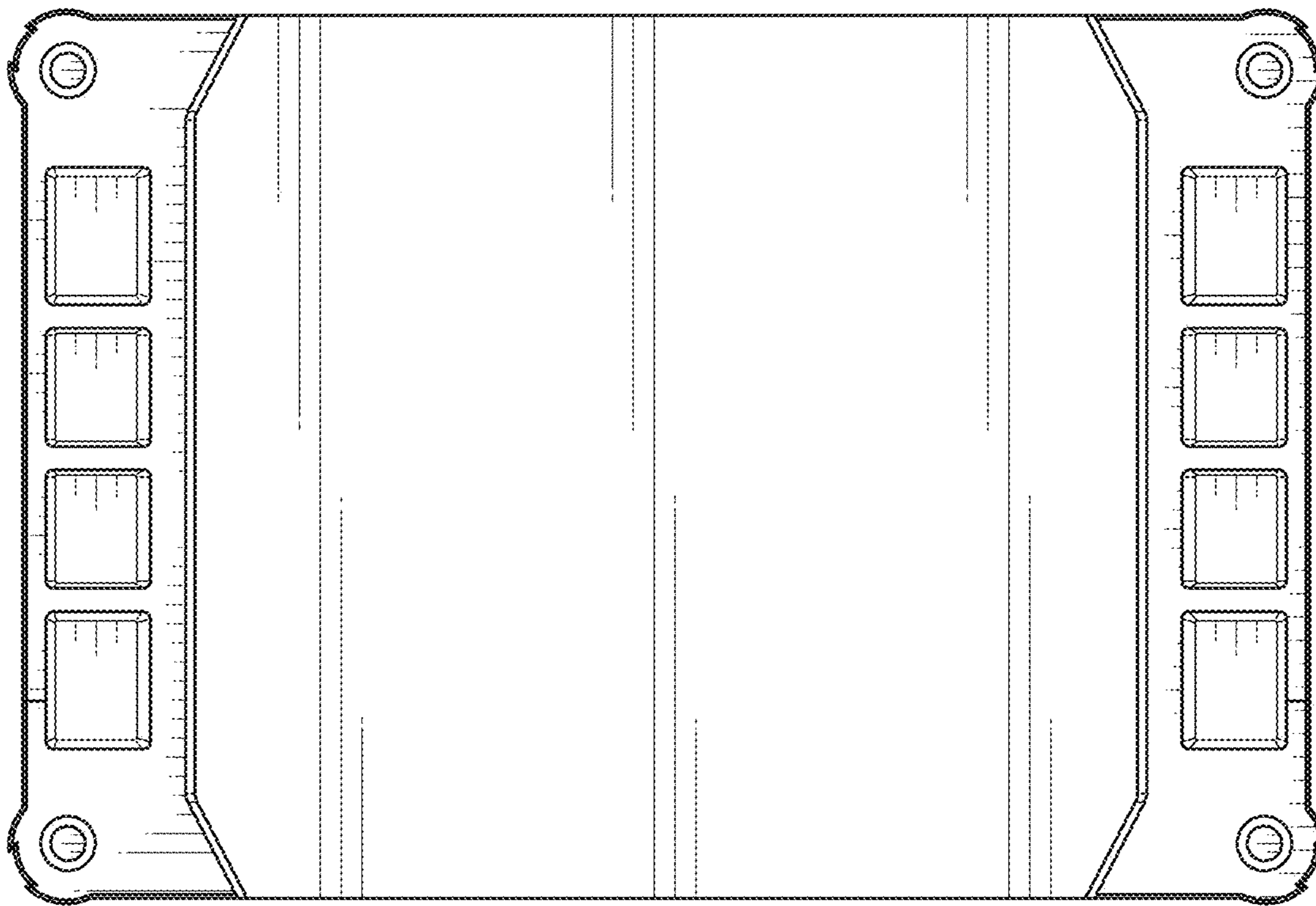


FIG. 6

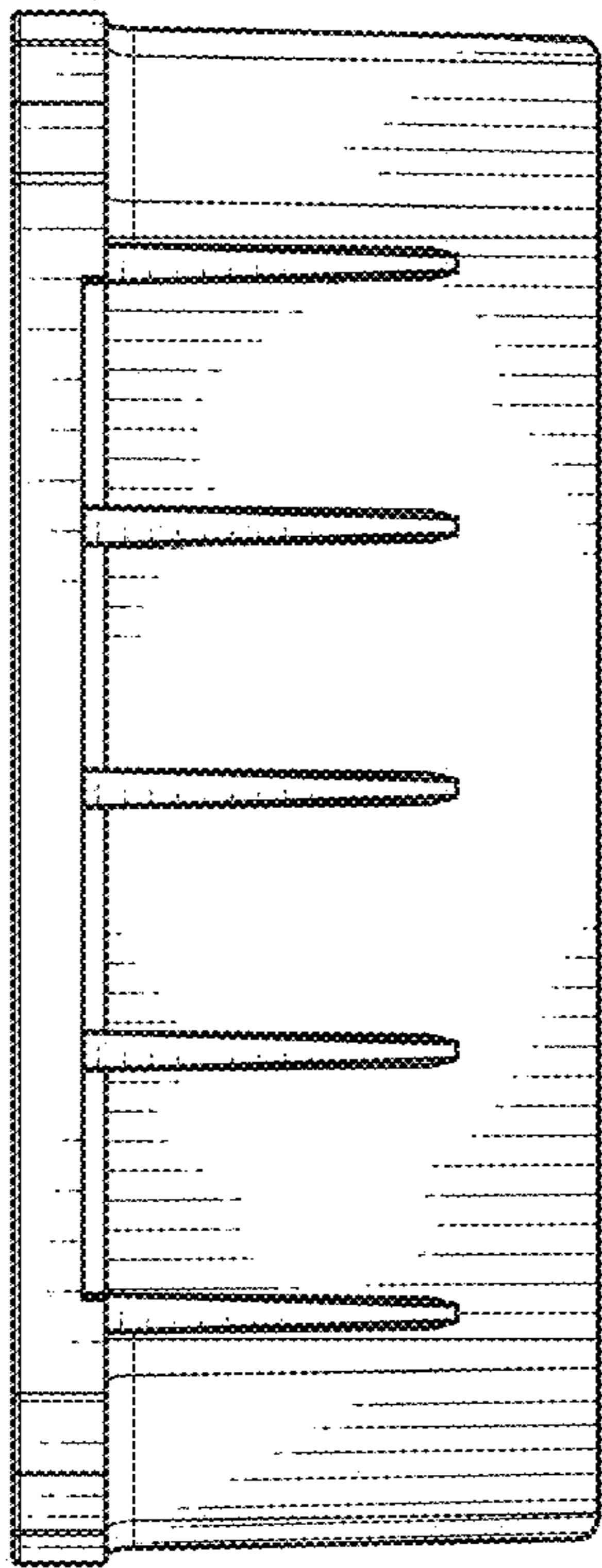


FIG. 7

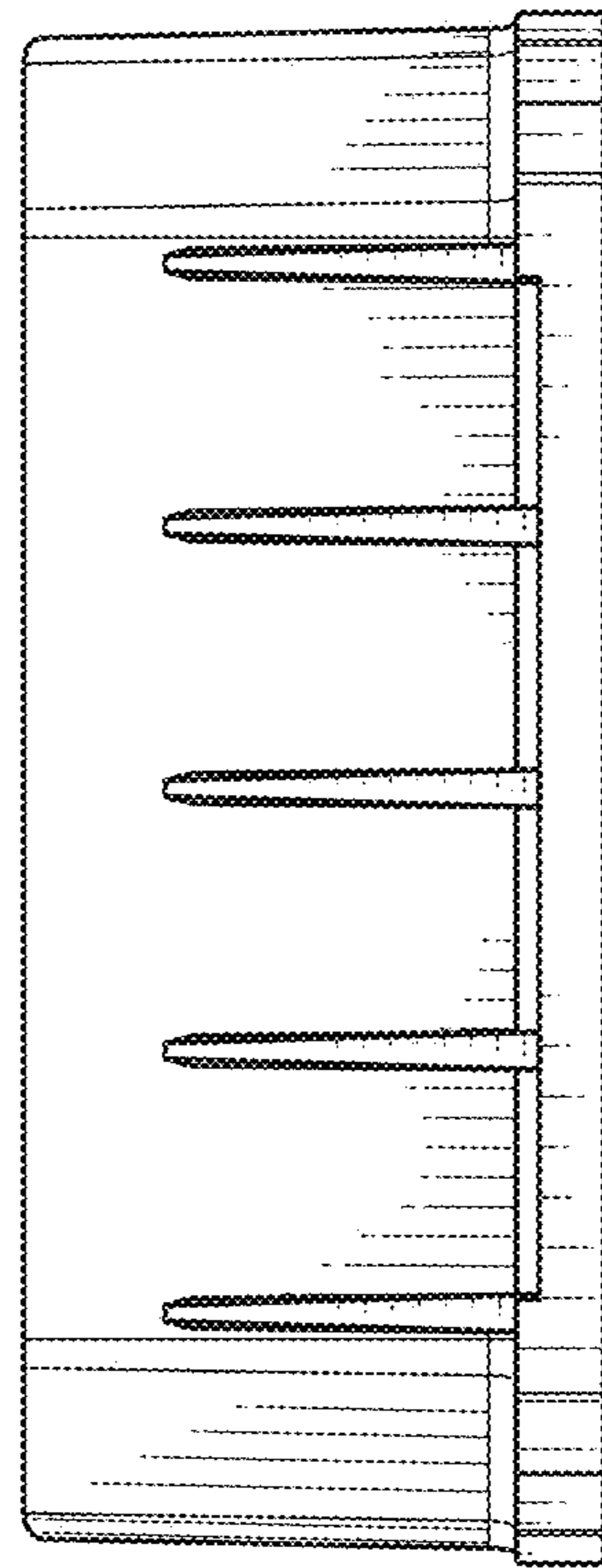


FIG. 8

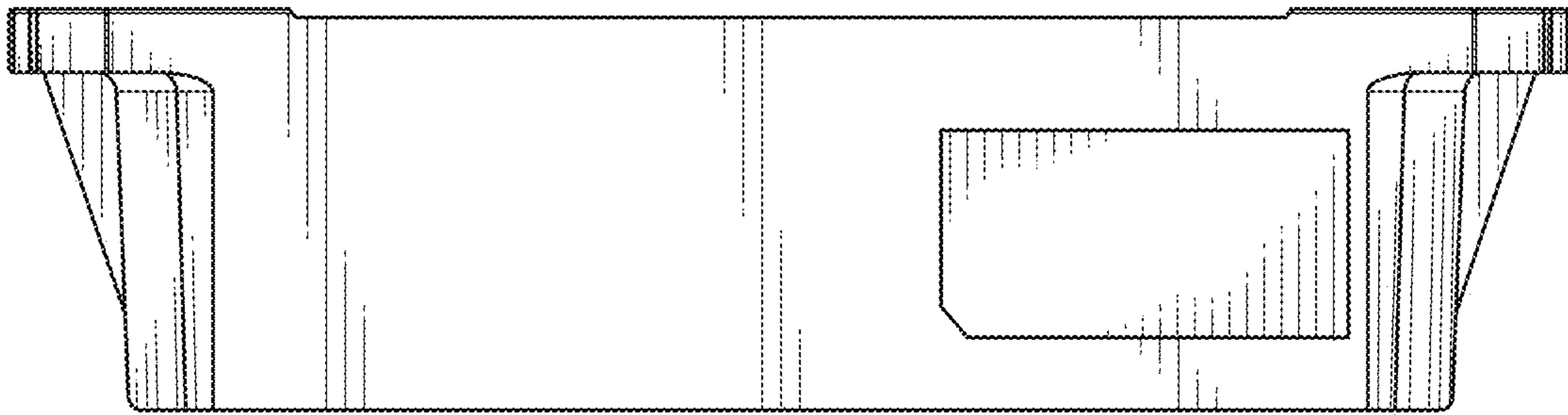


FIG. 9

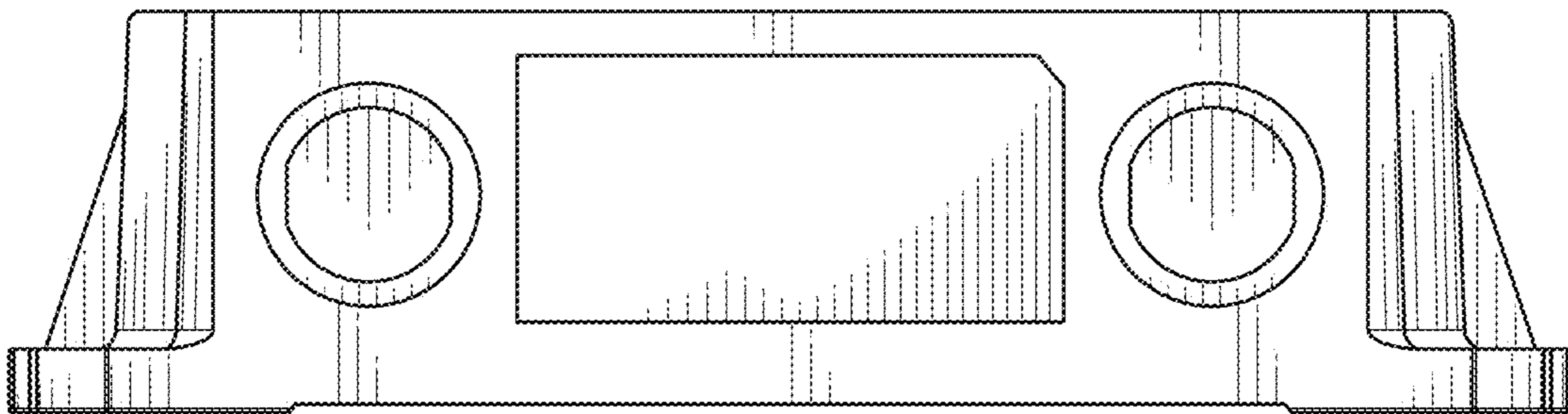


FIG. 10