



US00D887365S

(12) **United States Design Patent**
Ganamukhi et al.

(10) **Patent No.:** **US D887,365 S**
(45) **Date of Patent:** **** Jun. 16, 2020**

(54) **CONNECTOR HOUSING**

FOREIGN PATENT DOCUMENTS

(71) Applicant: **Molex, LLC**, Lisle, IL (US)

CN 301659600 * 8/2011
CN 301659601 * 8/2011

(72) Inventors: **Ishwarappa Ganamukhi**, Bangalore (IN); **Pierre Perez**, Aurora, IL (US); **KrishnaPrasad Somanath**, Bangalore (IN); **Sharath Nidasale Shankarappa**, Bangalore (IN)

Primary Examiner — Bridget L Eland

(74) *Attorney, Agent, or Firm* — Banner & Witcoff, Ltd.

(73) Assignee: **Molex, LLC**, Lisle, IL (US)

(57) **CLAIM**

(**) Term: **15 Years**

The ornamental design for a connector housing, as shown and described.

(21) Appl. No.: **29/664,134**

DESCRIPTION

(22) Filed: **Sep. 21, 2018**

(51) **LOC (12) Cl.** **13-03**

(52) **U.S. Cl.**
USPC **D13/147**

(58) **Field of Classification Search**
USPC D13/146, 147, 154, 155, 133, 153
CPC H01R 13/4223; H01R 2107/00;
H01R 24/20; H01R 4/185
See application file for complete search history.

FIG. 1 is a front top perspective view of a first embodiment of a connector housing showing our new design; FIG. 2 is a rear bottom perspective view thereof; FIG. 3 is a front view thereof; FIG. 4 is a rear view thereof; FIG. 5 is a right side view thereof; FIG. 6 is a left side view thereof; FIG. 7 is a top view thereof; FIG. 8 is a bottom view thereof; FIG. 9 is a front top perspective view of second embodiment of a connector housing showing our new design; FIG. 10 is a rear bottom perspective view thereof; FIG. 11 is a front view thereof; FIG. 12 is a rear view thereof; FIG. 13 is a right side view thereof; FIG. 14 is a left side view thereof; FIG. 15 is a top view thereof; and, FIG. 16 is a bottom view thereof.

(56) **References Cited**

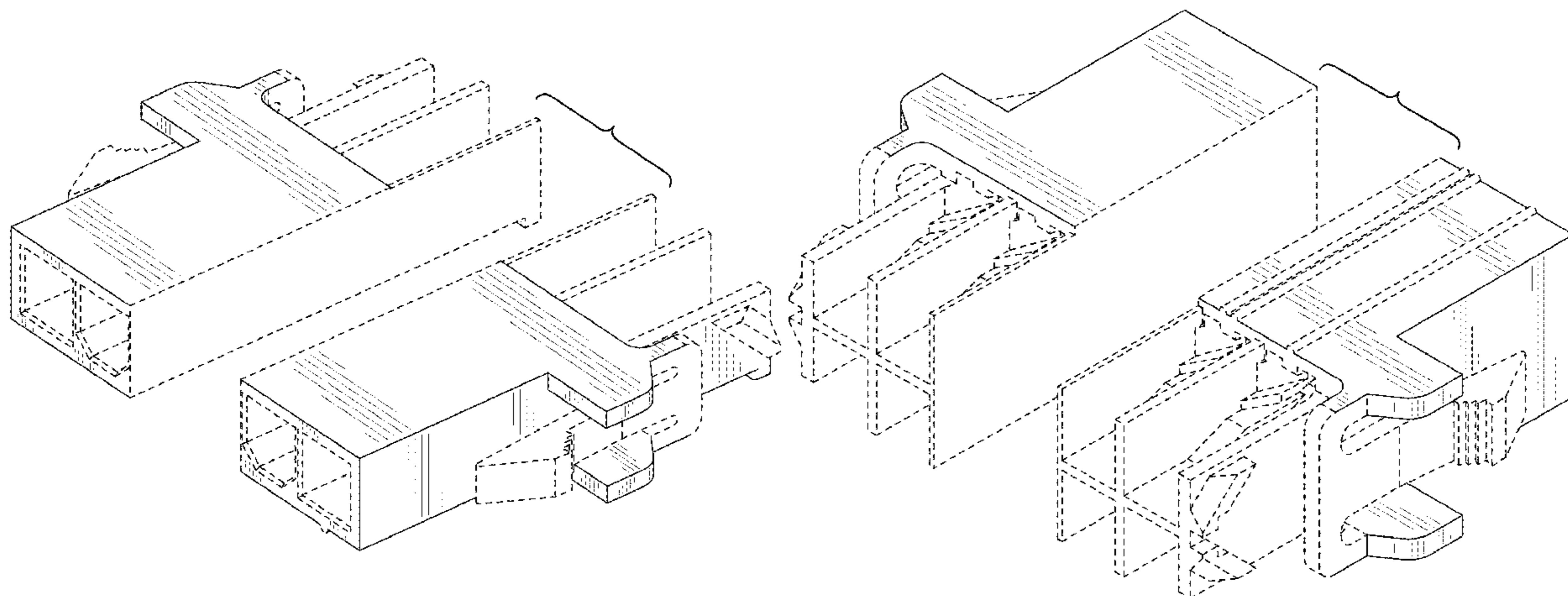
U.S. PATENT DOCUMENTS

D317,148 S	*	5/1991	Kozono	D13/146
D320,975 S	*	10/1991	Kawashima	D13/147
D321,504 S	*	11/1991	Nagasaka	D13/147
D321,507 S	*	11/1991	Nagasaka	D13/147
D321,858 S	*	11/1991	Nagasaka	D13/147
D321,860 S	*	11/1991	Nagasaka	D13/147
D323,645 S	*	2/1992	Suzuki	D13/147
D494,934 S	*	8/2004	Milan	D13/133
D593,033 S	*	5/2009	Ogata	D13/133
D650,743 S	*	12/2011	Smith	D13/133
D650,744 S	*	12/2011	Smith	D13/133
D650,745 S	*	12/2011	Smith	D13/133
D650,746 S	*	12/2011	Smith	D13/133
D650,747 S	*	12/2011	Smith	D13/133

The broken lines depicting the remainder of the connector housing show features that form no part of the claimed design. The connector housing is shown with a symbolic break in its width. The appearance of any portion of the connector housing between the break lines indicated by brackets forms no part of the claimed design.

(Continued)

1 Claim, 12 Drawing Sheets



(56)

References Cited

U.S. PATENT DOCUMENTS

D650,748	S	*	12/2011	Smith	D13/133
D650,749	S	*	12/2011	Smith	D13/133
D650,750	S	*	12/2011	Smith	D13/133
D650,751	S	*	12/2011	Smith	D13/133
D650,752	S	*	12/2011	Smith	D13/133
D652,796	S	*	1/2012	Smith	D13/133
D652,797	S	*	1/2012	Smith	D13/133
D705,168	S	*	5/2014	Yamauchi	D13/133
D705,169	S	*	5/2014	Yamauchi	D13/133
D736,708	S	*	8/2015	Huang	D13/133
D840,938	S	*	2/2019	Hsu	D13/147
2019/0157793	A1	*	5/2019	Zheng	H01R 13/4223

* cited by examiner

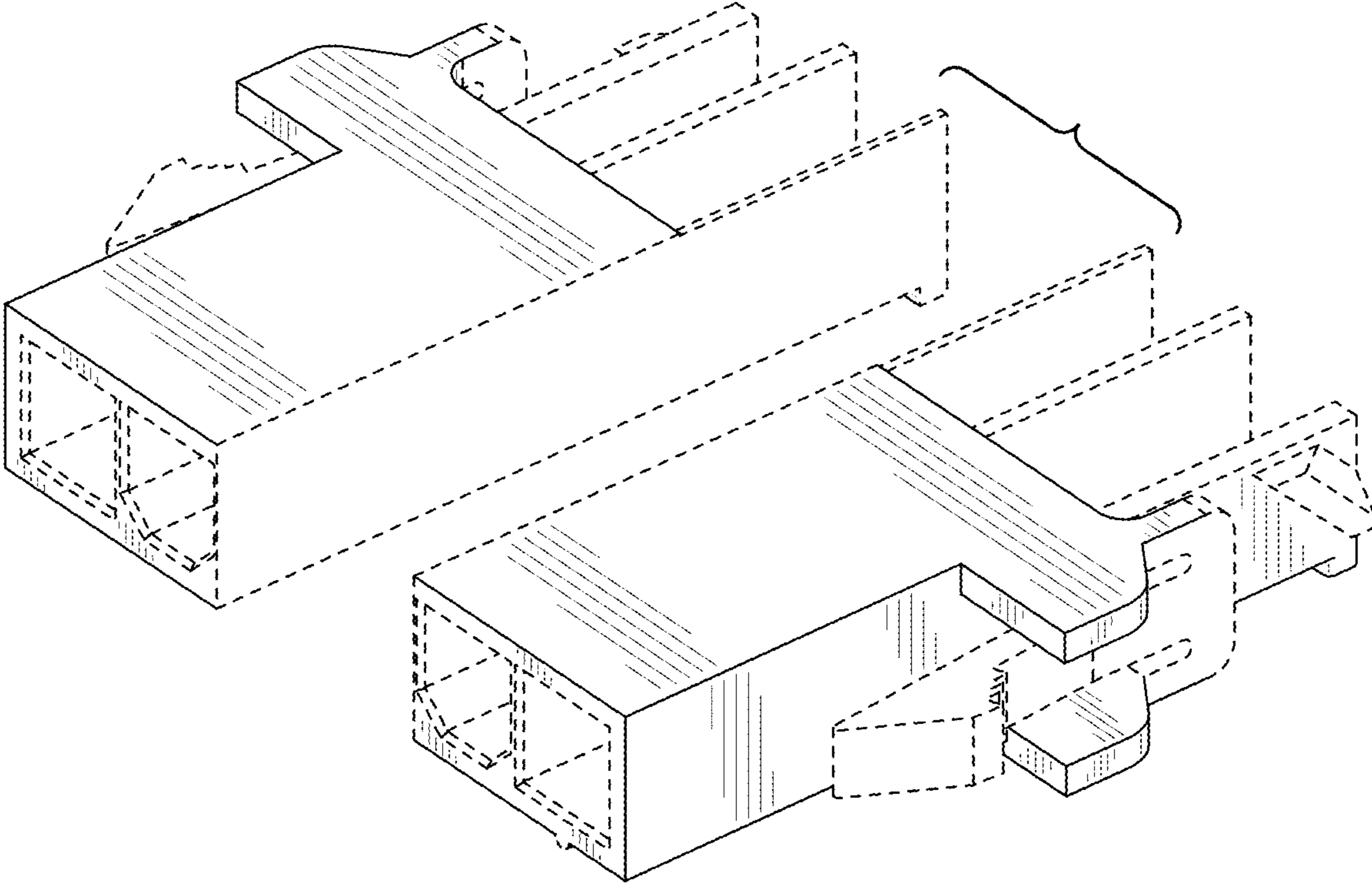


FIG. 1

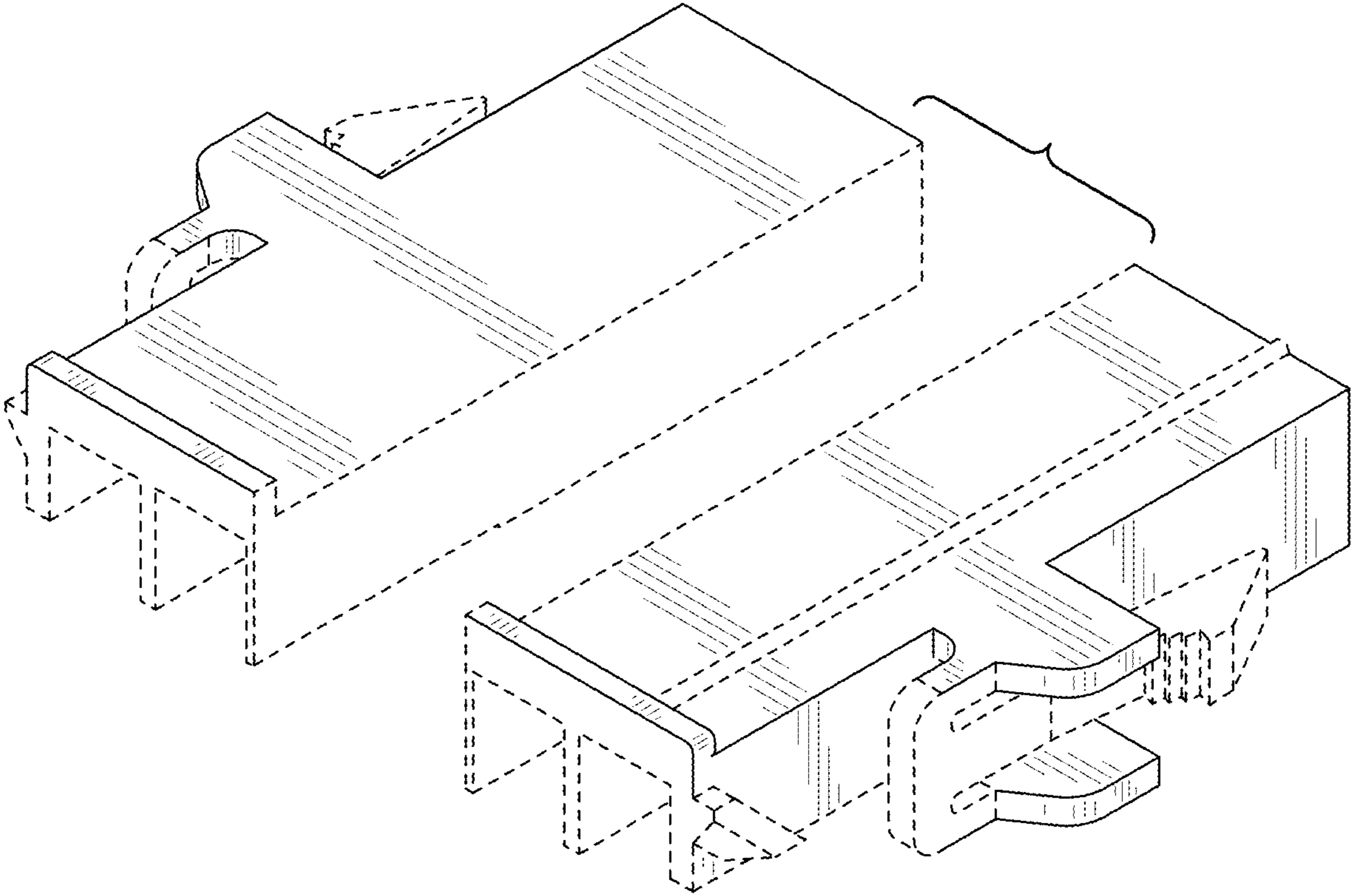


FIG. 2

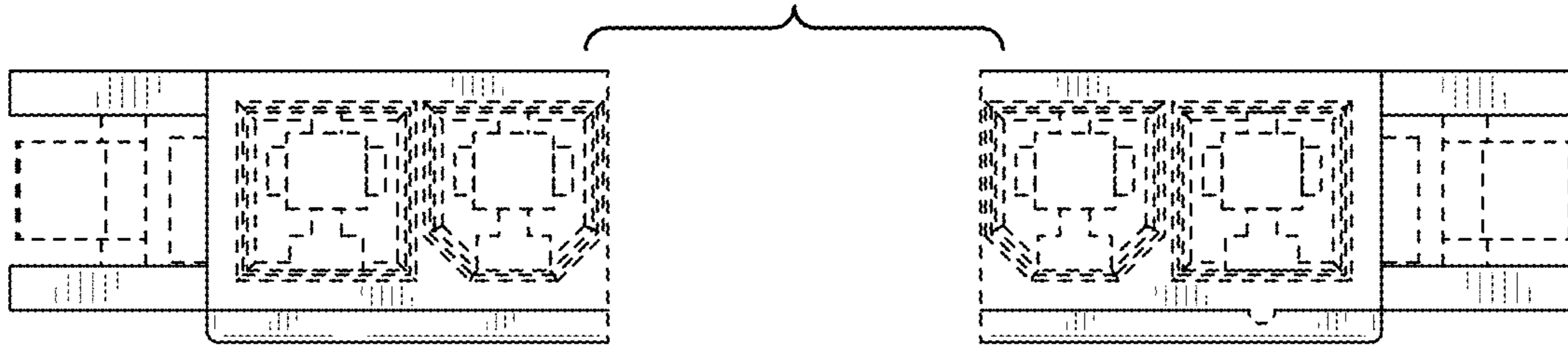


FIG. 3

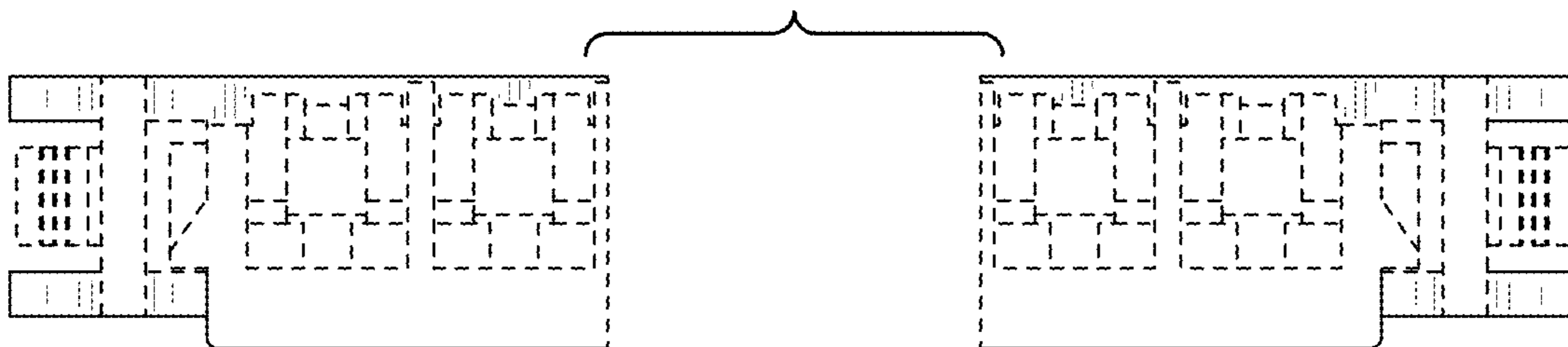


FIG. 4

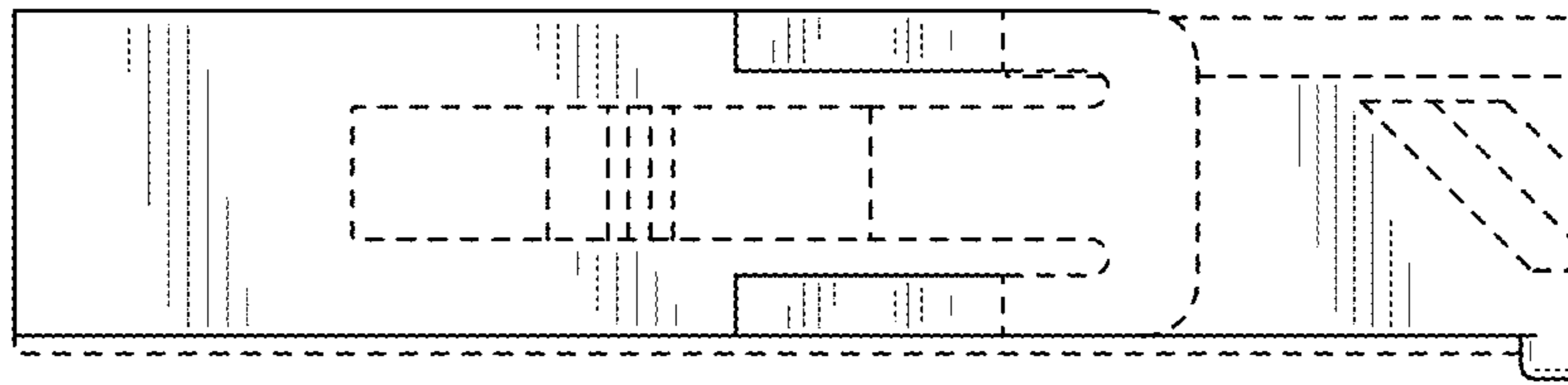


FIG. 5

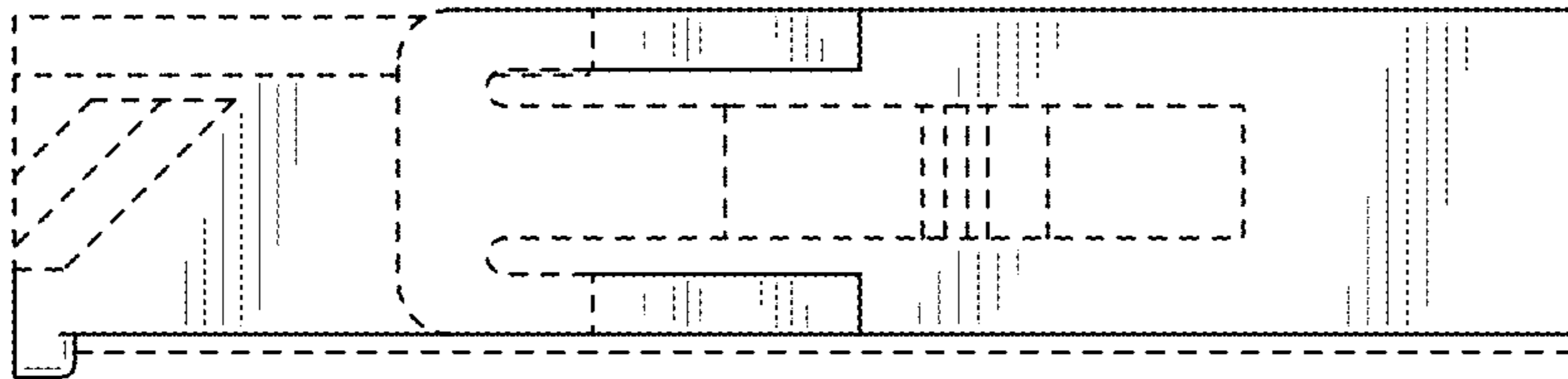


FIG. 6

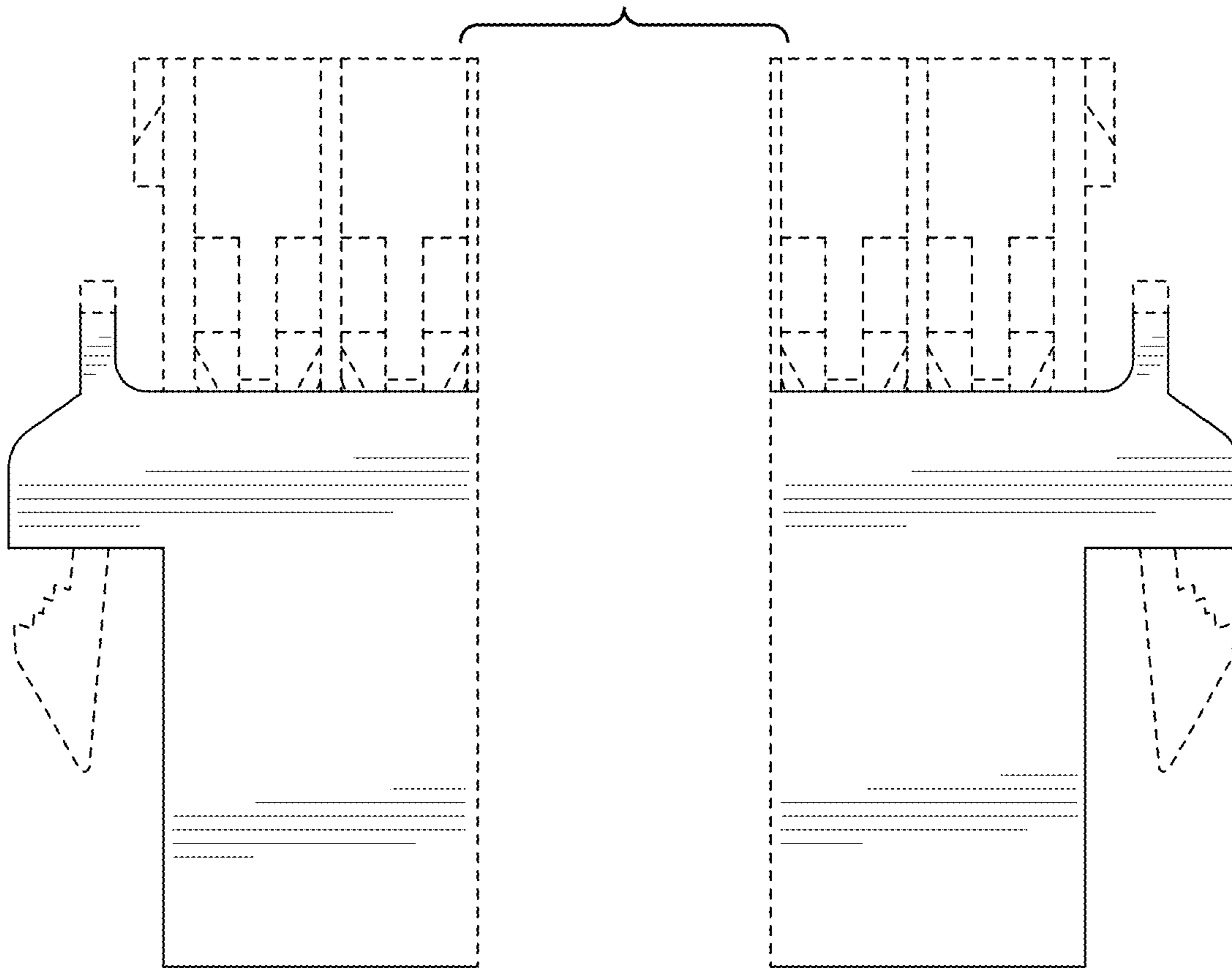


FIG. 7

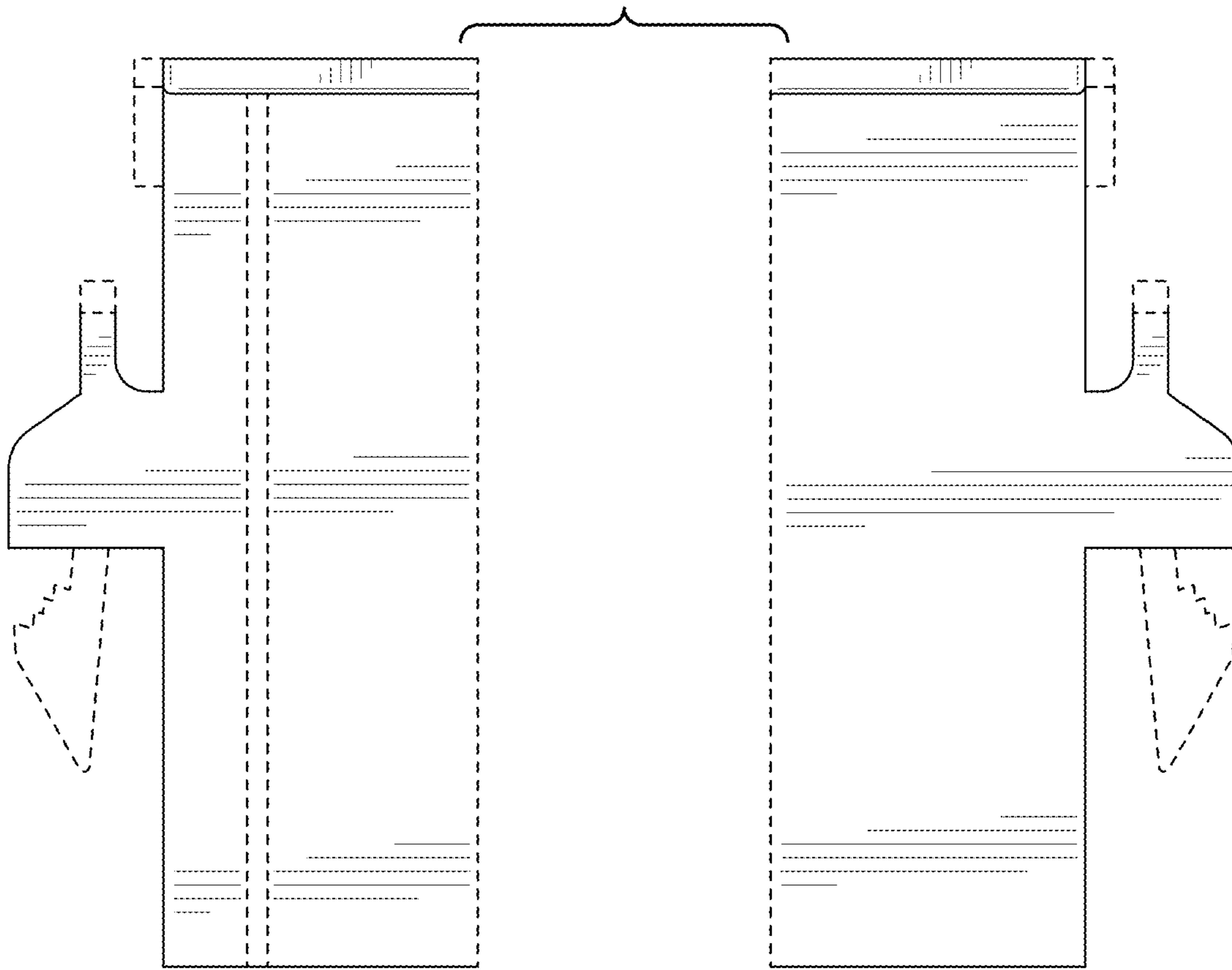


FIG. 8

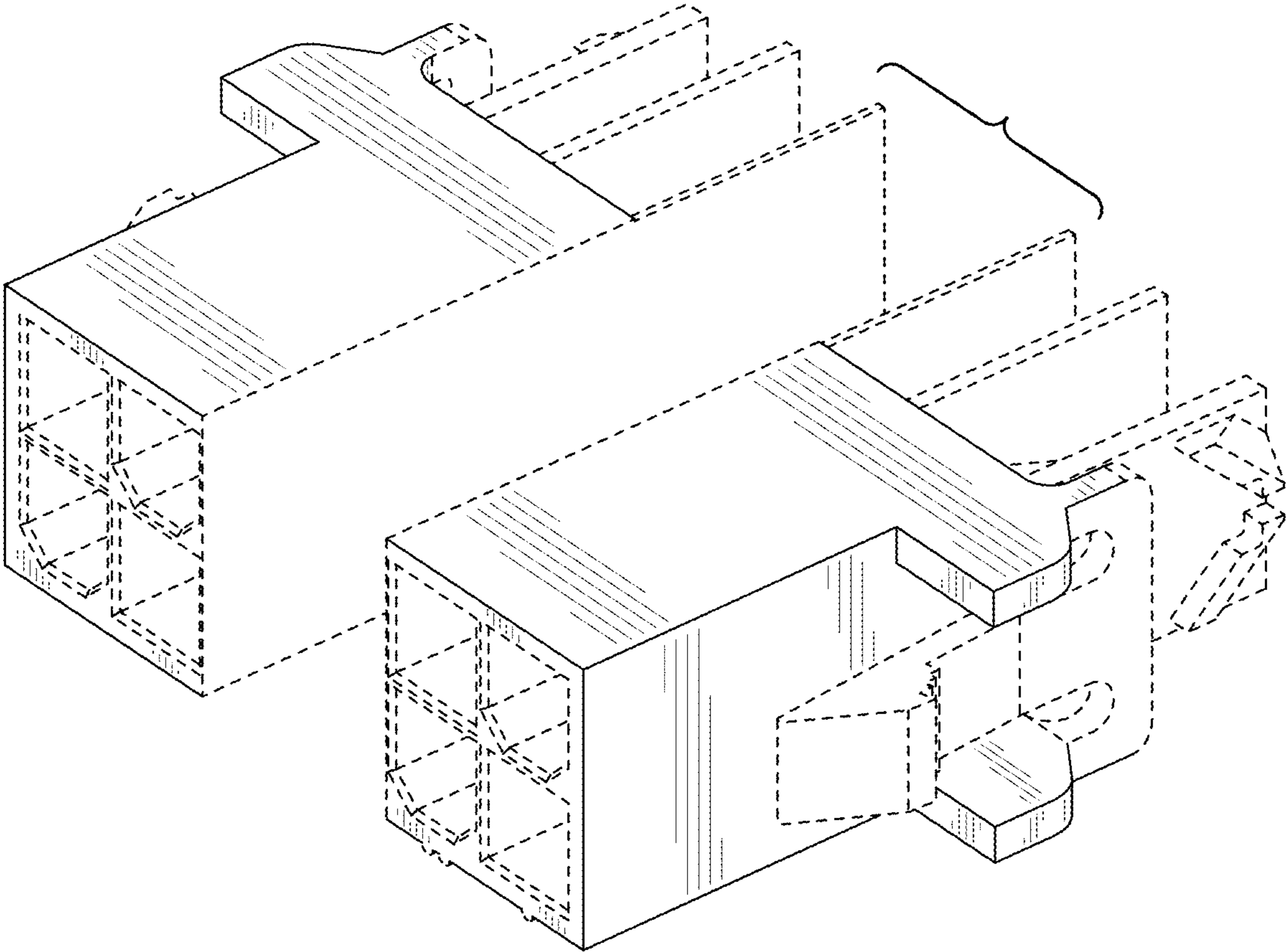


FIG. 9

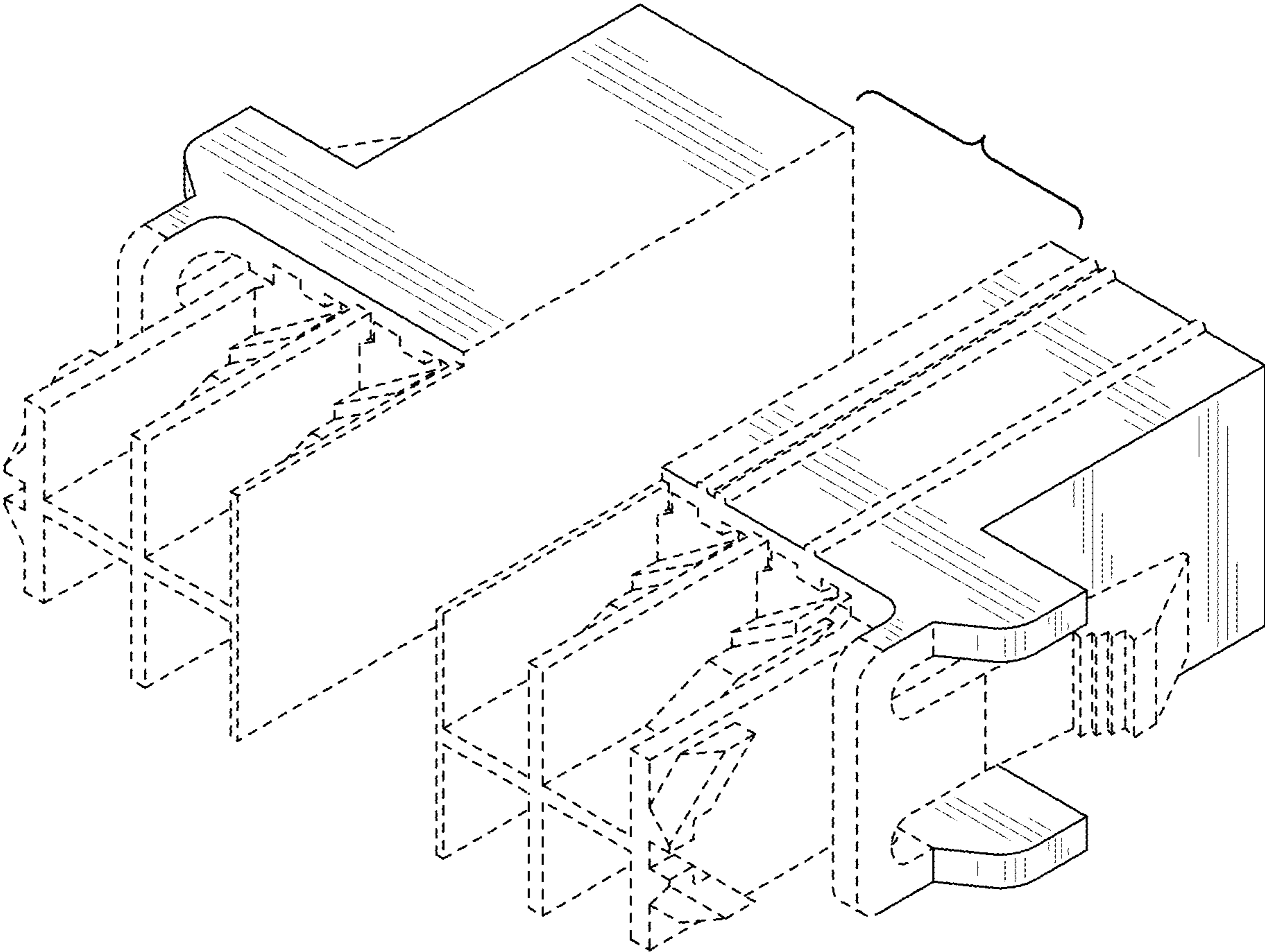


FIG. 10

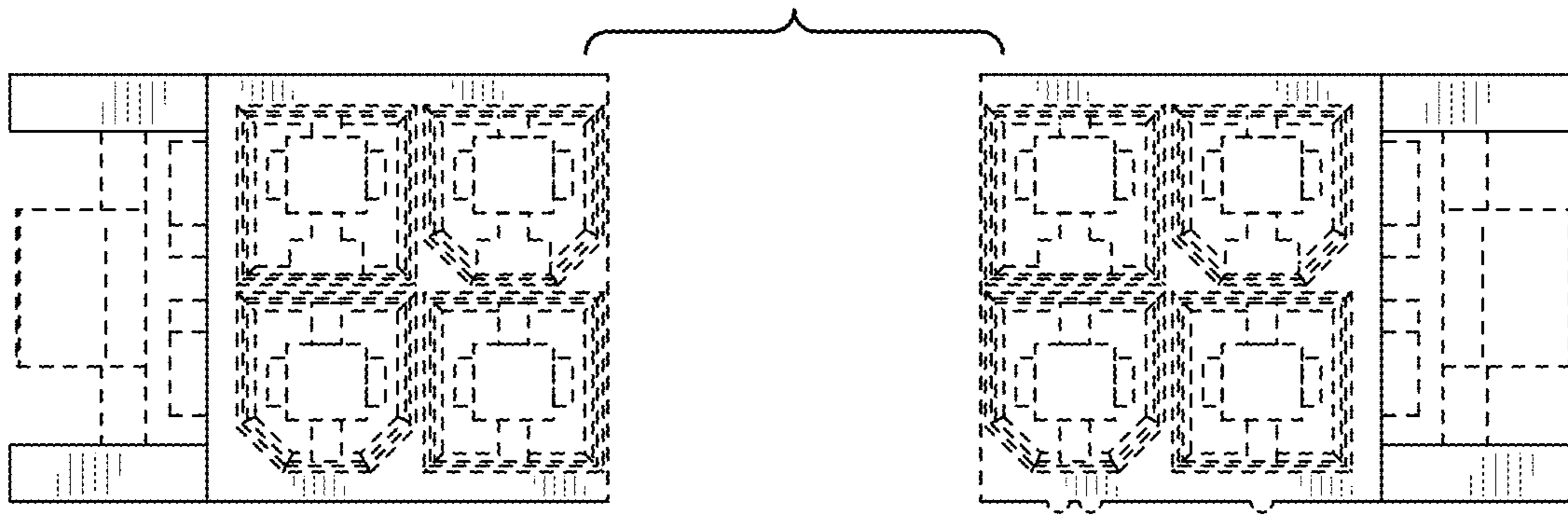


FIG. 11

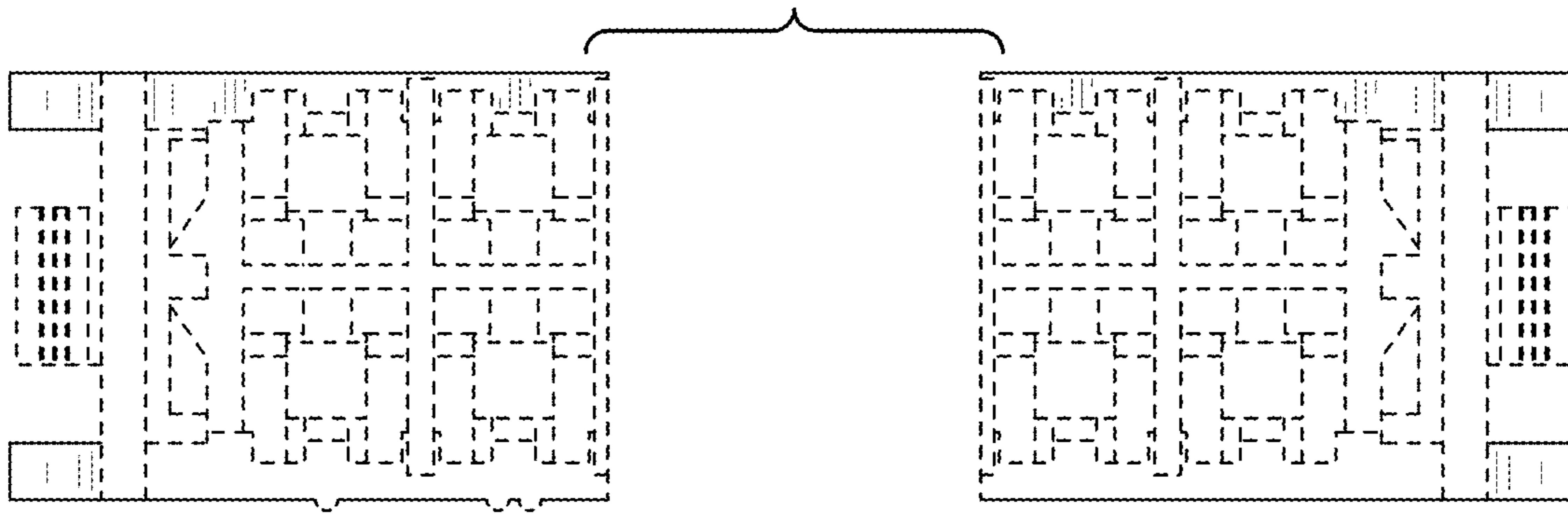


FIG. 12

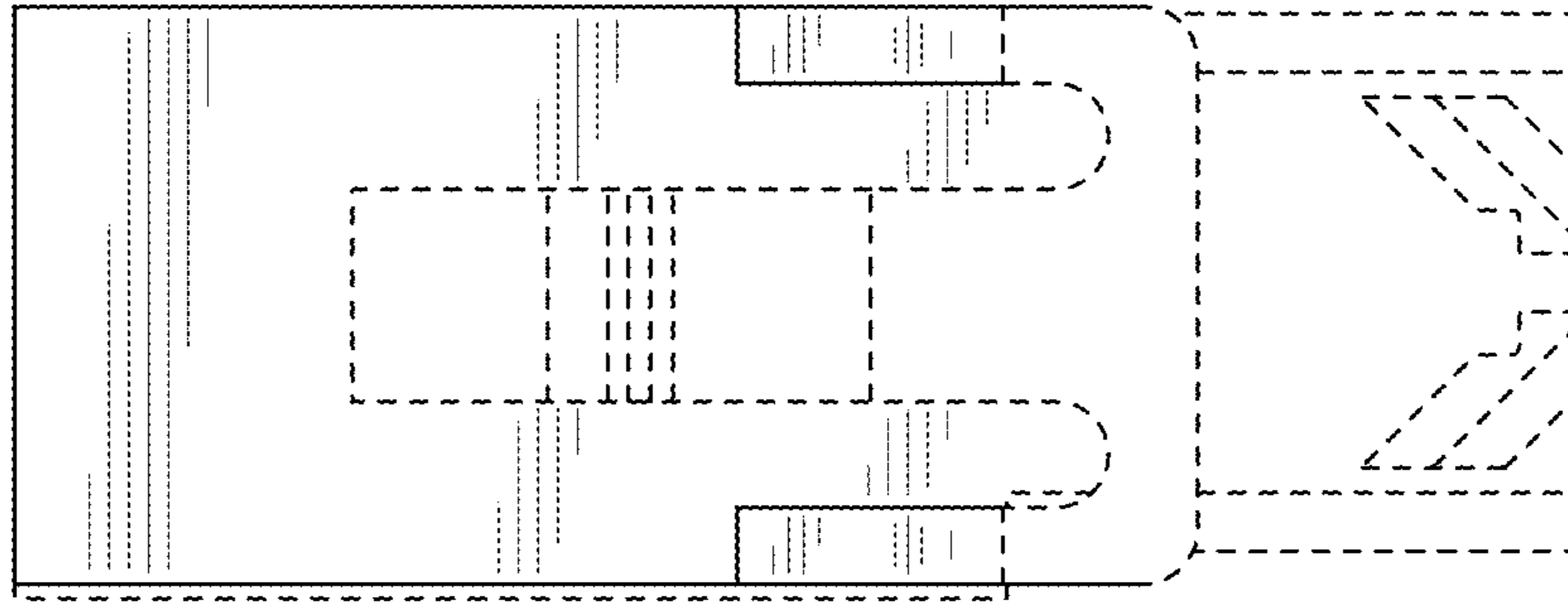


FIG. 13

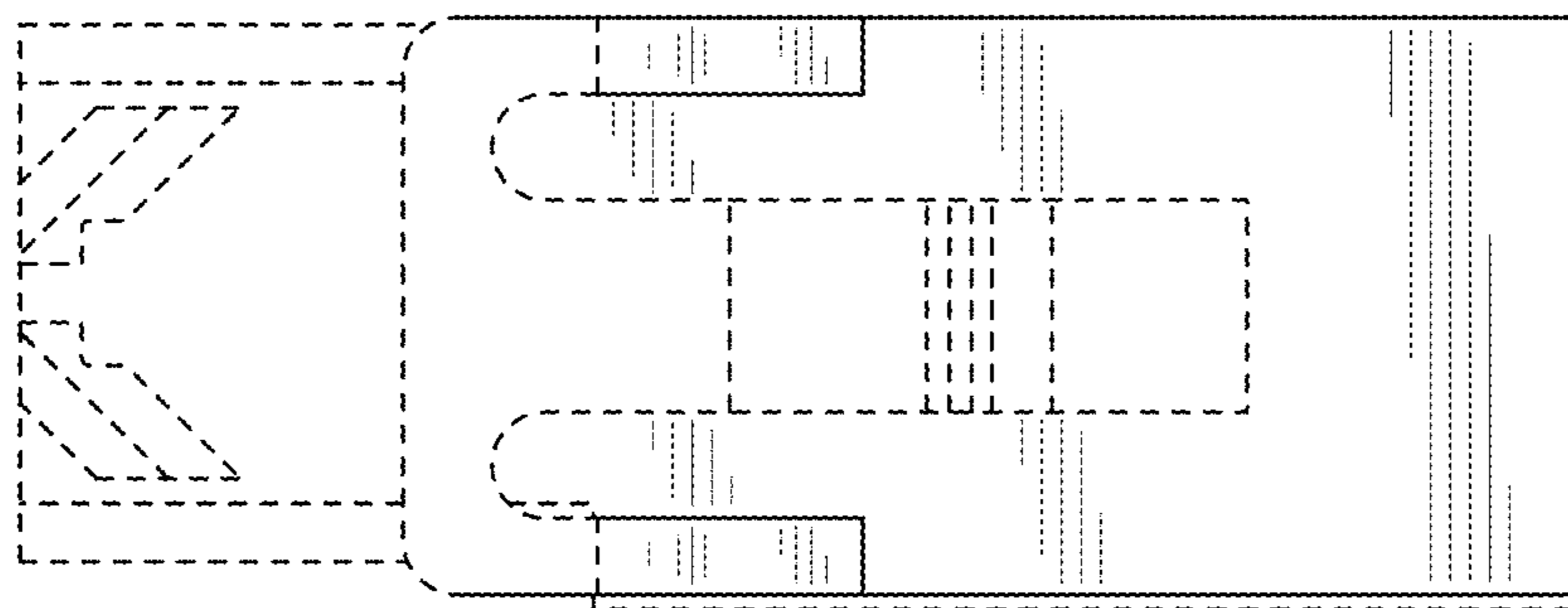


FIG. 14

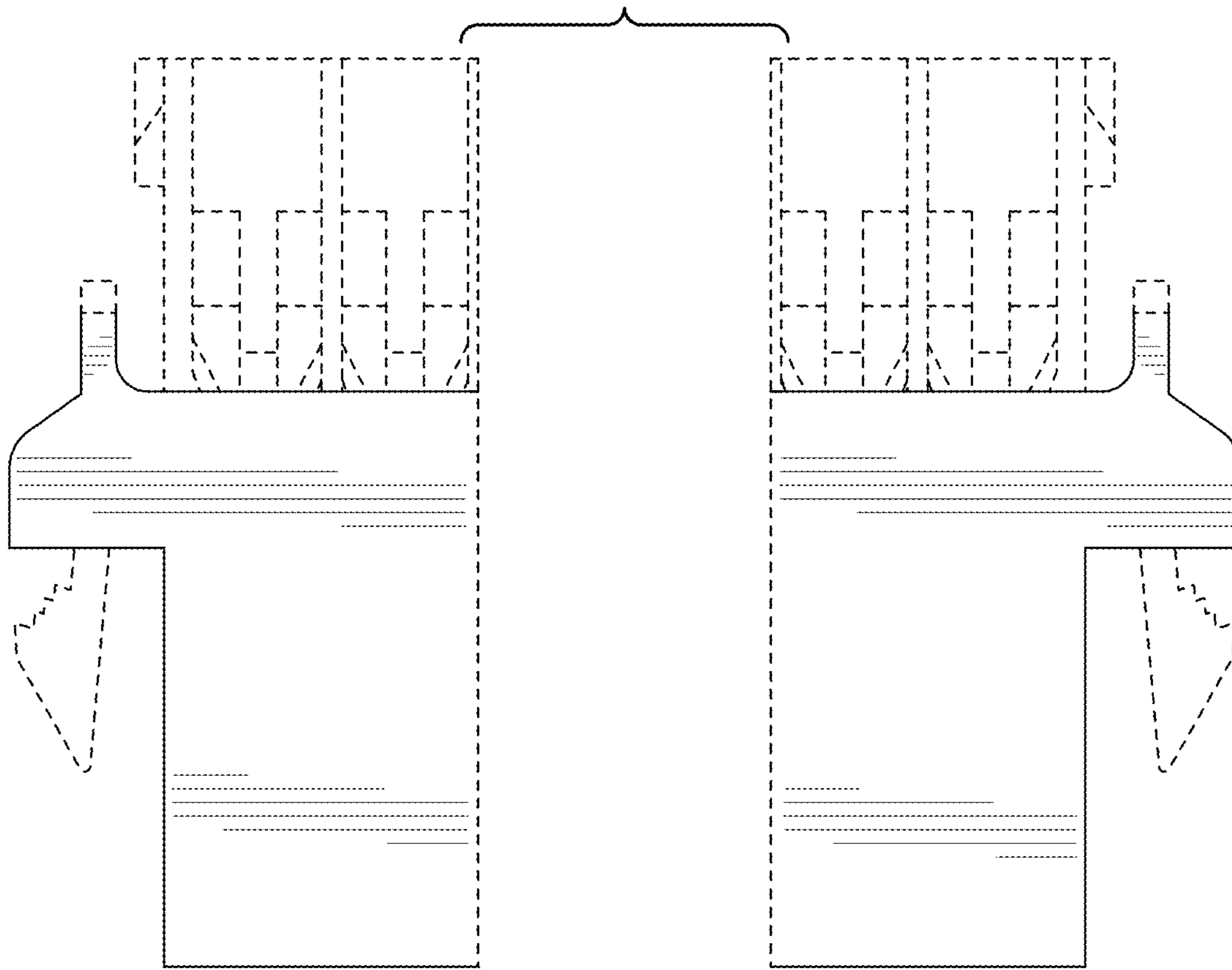


FIG. 15

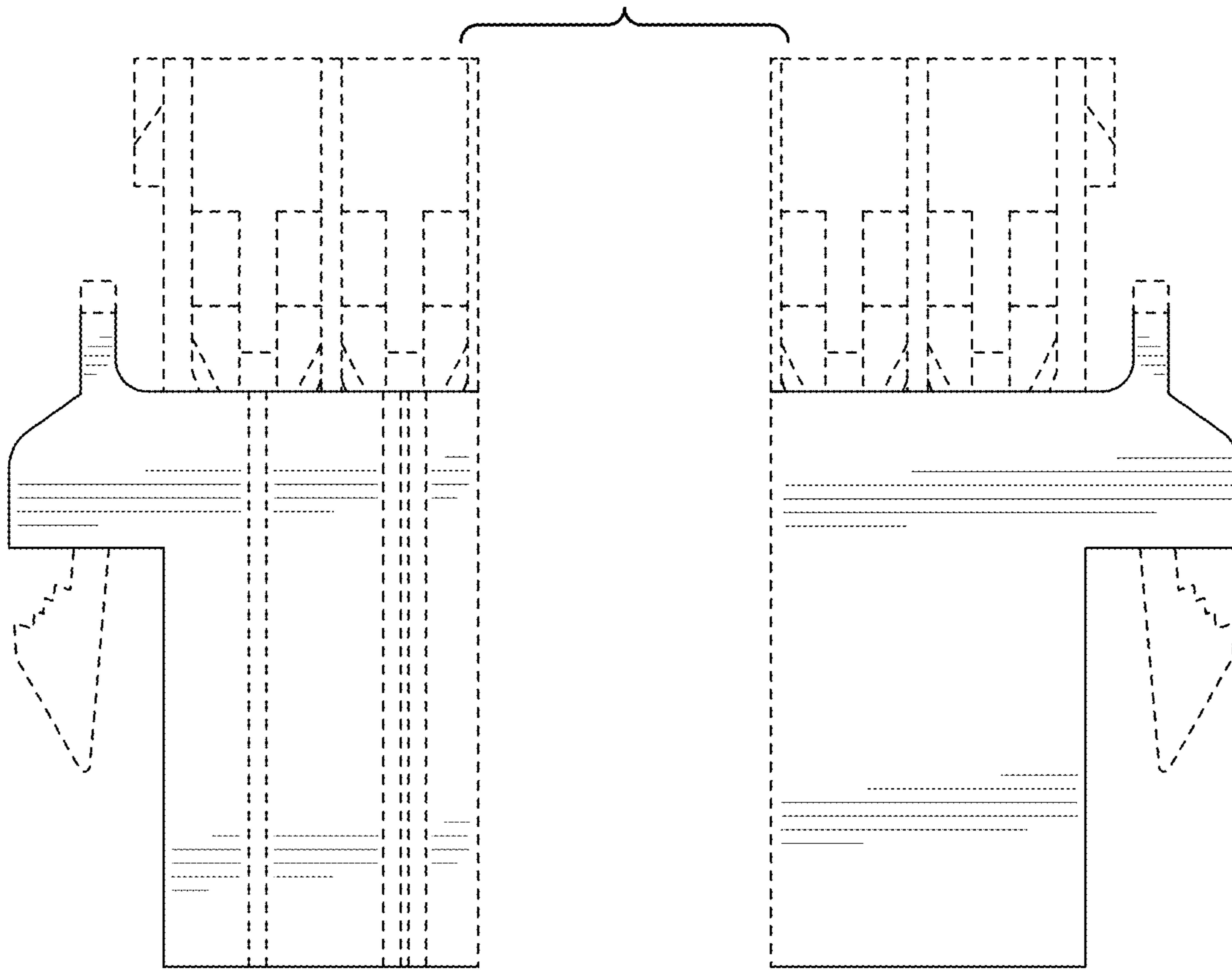


FIG. 16