



US00D887363S

(12) **United States Design Patent**
Byrne et al.

(10) **Patent No.:** **US D887,363 S**
(45) **Date of Patent:** **** Jun. 16, 2020**

(54) **ELECTRICAL POWER UNIT**
(71) Applicants: **Norman R. Byrne**, Ada, MI (US);
Joseph D. Ward, Grand Rapids, MI (US)

3,992,070 A 11/1976 Dunn
4,059,321 A 11/1977 Rasmussen
4,240,688 A 12/1980 Sotolongo
4,272,643 A 6/1981 Carroll
(Continued)

(72) Inventors: **Norman R. Byrne**, Ada, MI (US);
Joseph D. Ward, Grand Rapids, MI (US)

FOREIGN PATENT DOCUMENTS

WO WO2009039277 3/2009

(**) Term: **15 Years**

OTHER PUBLICATIONS

(21) Appl. No.: **29/634,765**

Amazon.com: Stand Up Desk Store Desk Power Desktop Charging Station. Published Jan. 22, 2018. Retrieved from the internet at <<https://www.amazon.com/Desk-Desktop-Charging-Station-Charger/dp/B0796X7H3K/>>, Jun. 3, 2019. 1 page. (Year: 2018).*

(22) Filed: **Jan. 24, 2018**

(51) **LOC (12) Cl.** **13-03**

(52) **U.S. Cl.**
USPC **D13/139.4**

(58) **Field of Classification Search**
USPC D13/107, 108, 110, 123, 133,
D13/137.1-137.4, 138.1-138.2,
D13/139.1-139.8, 152, 154, 184
CPC H01R 11/00; H01R 9/00; H01R 13/00;
H01R 13/04; H01R 13/10; H01R
13/6666; H01R 13/6675; H01R 25/00;
H01R 25/006; H01H 2207/00; H01H
2207/022

Primary Examiner — Rosemary K Tarcza
Assistant Examiner — Christy M Nemeth
(74) *Attorney, Agent, or Firm* — Gardner, Linn, Burkhardt & Ondersma LLP

See application file for complete search history.

(57) **CLAIM**

The ornamental design for an electrical power unit, as shown and described.

(56) **References Cited**

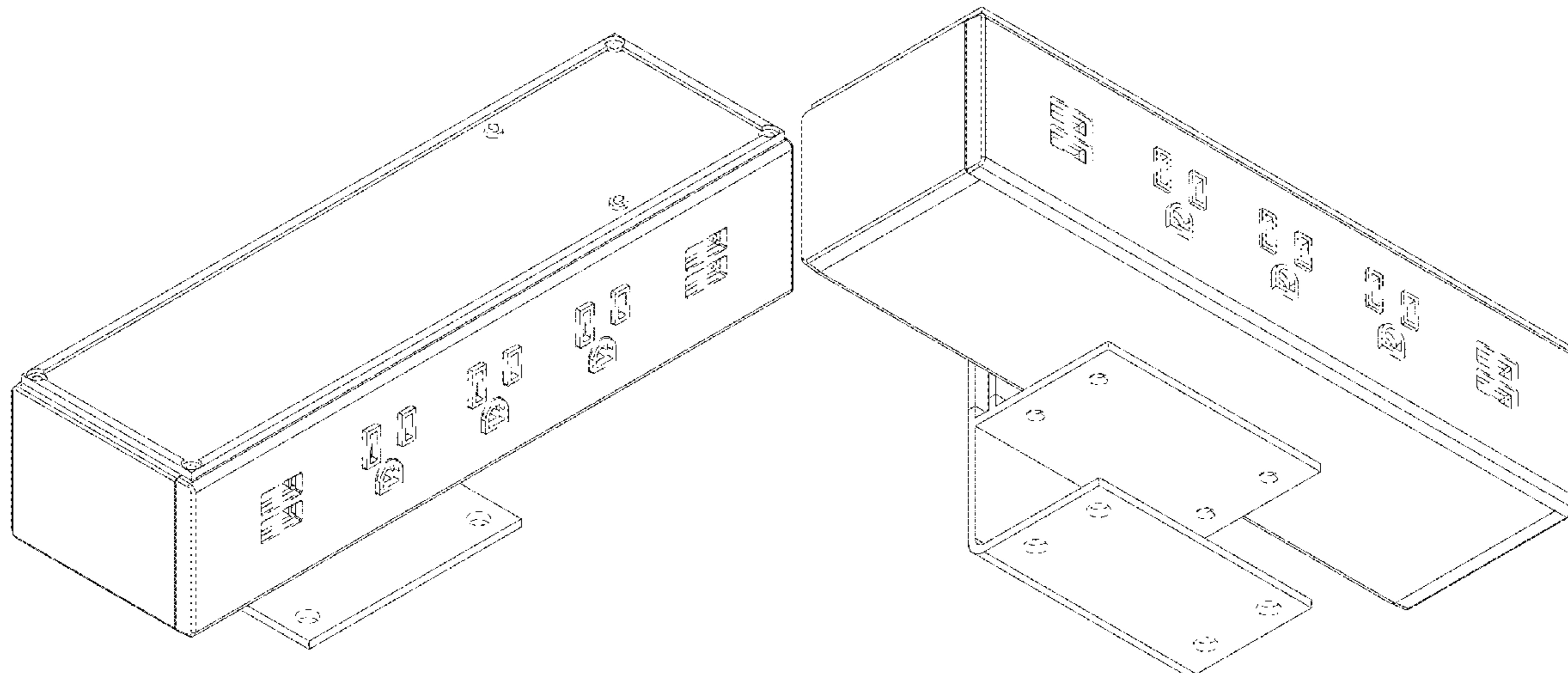
U.S. PATENT DOCUMENTS

676,622 A	6/1901	Gochnauer
2,811,574 A	10/1957	Guerrero
2,861,857 A	11/1958	Lee
3,049,688 A	8/1962	Sinopoli
D195,463 S	6/1963	Tamarin
3,131,512 A	5/1964	MacLeod, Jr.
3,353,137 A	11/1967	Miller
3,433,886 A	3/1969	Myers
3,622,684 A	11/1971	Press
3,646,244 A	2/1972	Cole
3,794,956 A	2/1974	Dubreuil
3,892,095 A	7/1975	Vankuik
3,972,579 A	8/1976	Kohaut

DESCRIPTION

FIG. 1 is a top-front perspective view of an electrical power unit showing our new design;
FIG. 2 is a bottom-front perspective view thereof;
FIG. 3 is a top-rear perspective view thereof;
FIG. 4 is bottom-rear perspective view thereof;
FIG. 5 a front elevation thereof;
FIG. 6 is a rear elevation thereof;
FIG. 7 is a top plan view thereof;
FIG. 8 is a bottom plan view thereof;
FIG. 9 is a right side elevation thereof; and,
FIG. 10 is a left side elevation thereof.
The broken lines in the drawings are for the purposes of illustrating portions of the electrical power unit that form no part of the claimed design.

1 Claim, 4 Drawing Sheets



(56)

References Cited

U.S. PATENT DOCUMENTS

4,323,723	A	4/1982	Fork et al.	D470,460	S	2/2003	Yu
4,372,629	A	2/1983	Propst	D472,213	S	3/2003	Byrne
4,463,998	A	8/1984	Reavis et al.	D484,098	S	12/2003	Lee
4,551,198	A	11/1985	Wiley	D486,793	S	2/2004	Gershfeld
4,551,577	A	11/1985	Byrne	6,717,053	B2	4/2004	Rupert
D288,298	S	2/1987	Yang	6,830,477	B2	12/2004	Vander Vorste et al.
4,747,788	A	5/1988	Byrne	6,875,051	B2	4/2005	Pizak
4,792,881	A	12/1988	Wilson	D505,917	S	6/2005	Murphy
4,828,513	A	5/1989	Morrison	6,971,911	B2	12/2005	Ramsey et al.
D301,576	S	6/1989	Wang	7,001,211	B2	2/2006	Lichtscheidl et al.
D306,012	S	2/1990	Oesterheld et al.	7,083,421	B1	8/2006	Mori
4,967,041	A	10/1990	Bowman	D528,508	S	9/2006	Tan et al.
4,984,982	A	1/1991	Brownlie	7,112,097	B1	9/2006	Lam
4,986,762	A	1/1991	Keith	D535,257	S	1/2007	Byrne
5,023,396	A	6/1991	Bartee	7,223,122	B2	5/2007	Mori
5,114,365	A	5/1992	Thompson	D549,654	S *	8/2007	Kent D13/139.6
5,122,069	A	6/1992	Brownlie	D558,676	S	1/2008	Fort et al.
5,195,288	A	5/1993	Penczak	7,364,443	B1 *	4/2008	McGinnis H01R 35/02 439/131
5,230,552	A	6/1993	Schipper	D591,233	S	4/2009	Kagami et al.
5,231,562	A	6/1993	Pierce	D611,428	S	3/2010	Chapman
D350,939	S	9/1994	Rossmann et al.	7,736,178	B2	6/2010	Byrne
5,351,173	A	9/1994	Byrne	D626,071	S	10/2010	Su et al.
D353,363	S	12/1994	Toby	D632,649	S *	2/2011	Scheucher D13/110
D355,890	S	2/1995	Lentz	D636,345	S	4/2011	Cullen et al.
5,387,761	A	2/1995	Simonis	D636,728	S	4/2011	Terleski et al.
D368,893	S	4/1996	Harwood et al.	D642,983	S	8/2011	Finlayson et al.
5,516,298	A	5/1996	Smith	D643,807	S	8/2011	Jiang
D370,622	S	6/1996	Byrne	D649,515	S	11/2011	Ullrich
D372,018	S	7/1996	Byrne	D651,974	S	1/2012	Benedetti
5,566,053	A	10/1996	Chou	D653,215	S	1/2012	Lam
D382,855	S	8/1997	Salmond et al.	D654,432	S	2/2012	Brookshire et al.
D389,459	S	1/1998	Byrne	D662,056	S *	6/2012	Lee D13/139.8
5,705,772	A	1/1998	Brown	8,221,158	B2	7/2012	Liao
5,709,156	A	1/1998	Gevaert	D665,355	S	8/2012	Byrne
D392,254	S	3/1998	Gevaert	8,283,802	B2	10/2012	Jansma et al.
5,738,548	A	4/1998	Rutulante	8,287,292	B2	10/2012	Byrne
5,748,424	A	5/1998	Hung	D673,909	S	1/2013	Zaslavsky et al.
5,757,668	A	5/1998	Zhu	D674,754	S	1/2013	Zanoni et al.
5,765,932	A	6/1998	Domina et al.	D681,551	S	5/2013	Zaslavsky
D401,220	S	11/1998	Dwight et al.	D682,789	S	5/2013	Au
D401,555	S	11/1998	Tam	8,480,429	B2	7/2013	Byrne
D405,416	S	2/1999	Byrne	8,496,492	B2	7/2013	Byrne
D407,374	S	3/1999	Byrne	D692,825	S	11/2013	Izen et al.
D412,488	S *	8/1999	Lien D13/123	D693,770	S	11/2013	Miller
D412,698	S	8/1999	Byrne	D701,834	S	4/2014	Lee et al.
D413,571	S	9/1999	Glass	D702,184	S	4/2014	Jacobs et al.
5,964,618	A	10/1999	McCarthy	D705,732	S *	5/2014	Lee D13/137.2
5,984,728	A	11/1999	Chen et al.	D714,290	S	9/2014	Tanaka et al.
6,004,157	A	12/1999	Glass	D736,159	S	8/2015	Byrne et al.
6,028,267	A	2/2000	Byrne	9,148,006	B2	9/2015	Byrne et al.
6,081,356	A	6/2000	Branc et al.	D740,229	S *	10/2015	Page D13/139.4
D427,454	S	7/2000	Munch et al.	D744,953	S	12/2015	Byrne et al.
D431,529	S *	10/2000	Giese D13/139.6	D758,967	S	6/2016	Chen
D436,922	S	1/2001	Stekelenburg	D759,596	S *	6/2016	Byrne D13/137.2
6,220,880	B1	4/2001	Lee et al.	D761,732	S	7/2016	Byrne et al.
6,200,159	B1	5/2001	Chou	D762,175	S *	7/2016	Byrne D13/137.2
D443,250	S *	6/2001	Lee D13/139.8	D775,081	S *	12/2016	Xu D13/139.6
D444,126	S	6/2001	Chura et al.	D780,122	S	2/2017	Irons et al.
D445,403	S	7/2001	Veino et al.	D788,709	S	6/2017	Yeo
D446,188	S	8/2001	Gershfeld	D790,465	S	6/2017	Zhao
D446,189	S	8/2001	Lee	D795,190	S	8/2017	Tzeng
D446,503	S	8/2001	Lee	D796,437	S	9/2017	Banayan
D446,504	S	8/2001	Lee	D796,445	S *	9/2017	Xu D13/139.6
D447,119	S *	8/2001	Lee D13/139.8	D798,816	S *	10/2017	Grossinger D13/139.1
6,290,518	B1	9/2001	Byrne	D812,009	S *	3/2018	Hayes D13/139.4
D449,819	S	10/2001	Gershfeld	D816,037	S *	4/2018	Byrne D13/137.2
6,379,182	B1	4/2002	Byrne	D821,328	S *	6/2018	Byrne D13/139.4
D457,137	S	5/2002	Gershfeld	D840,347	S *	2/2019	Byrne D13/139.4
6,386,921	B1	5/2002	Casari	D845,903	S *	4/2019	Byrne D13/139.4
D458,218	S *	6/2002	Reynolds D13/110	D849,686	S	5/2019	Byrne et al.
D464,627	S	10/2002	Metcalf	2006/0258195	A1	11/2006	Schwartz et al.
D467,875	S	12/2002	Barger et al.	2007/0275594	A1	11/2007	Greenberg
6,492,591	B1	12/2002	Metcalf	2009/0294147	A1	12/2009	Stockton
				2014/0292289	A1	10/2014	Gelonese

* cited by examiner

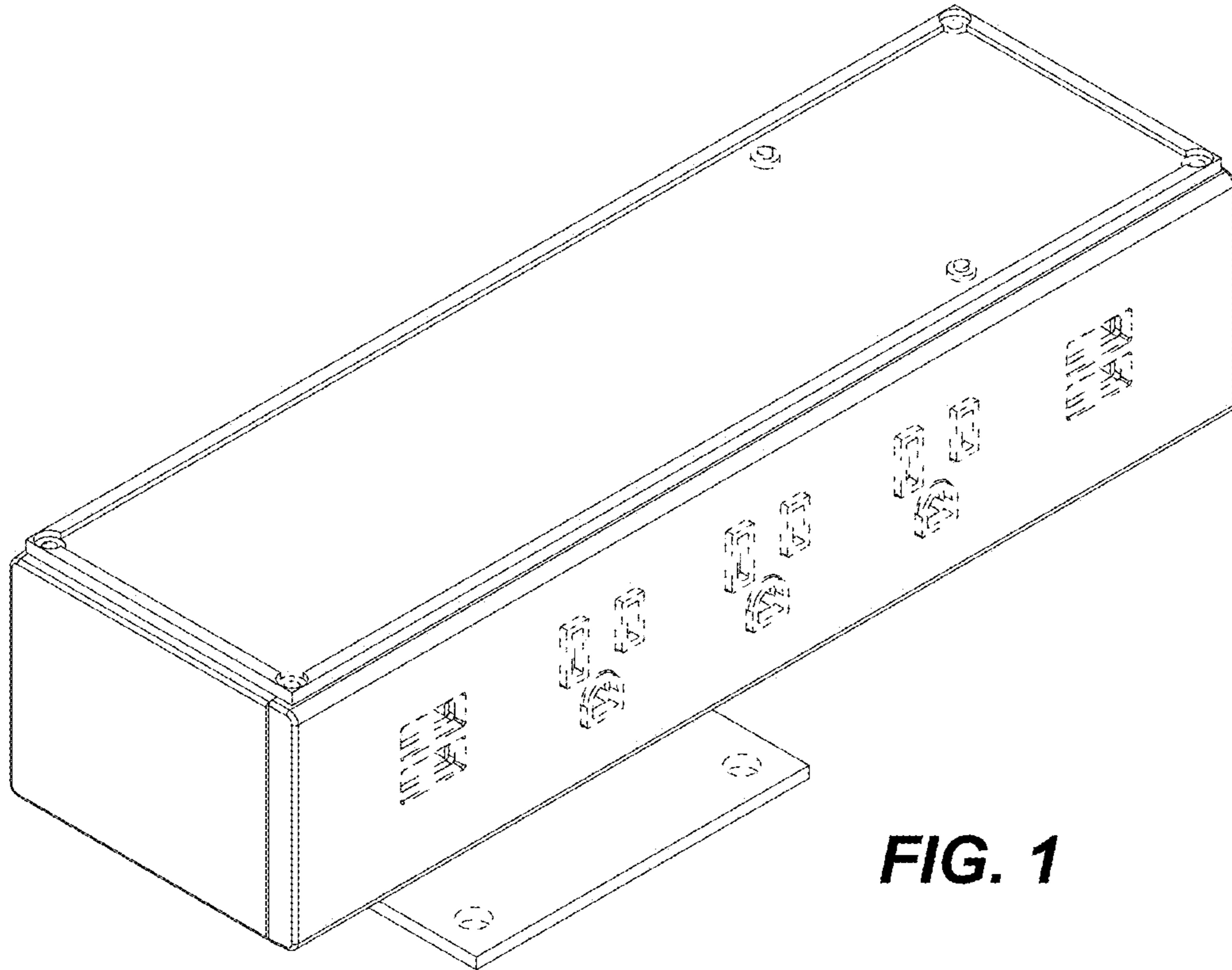


FIG. 1

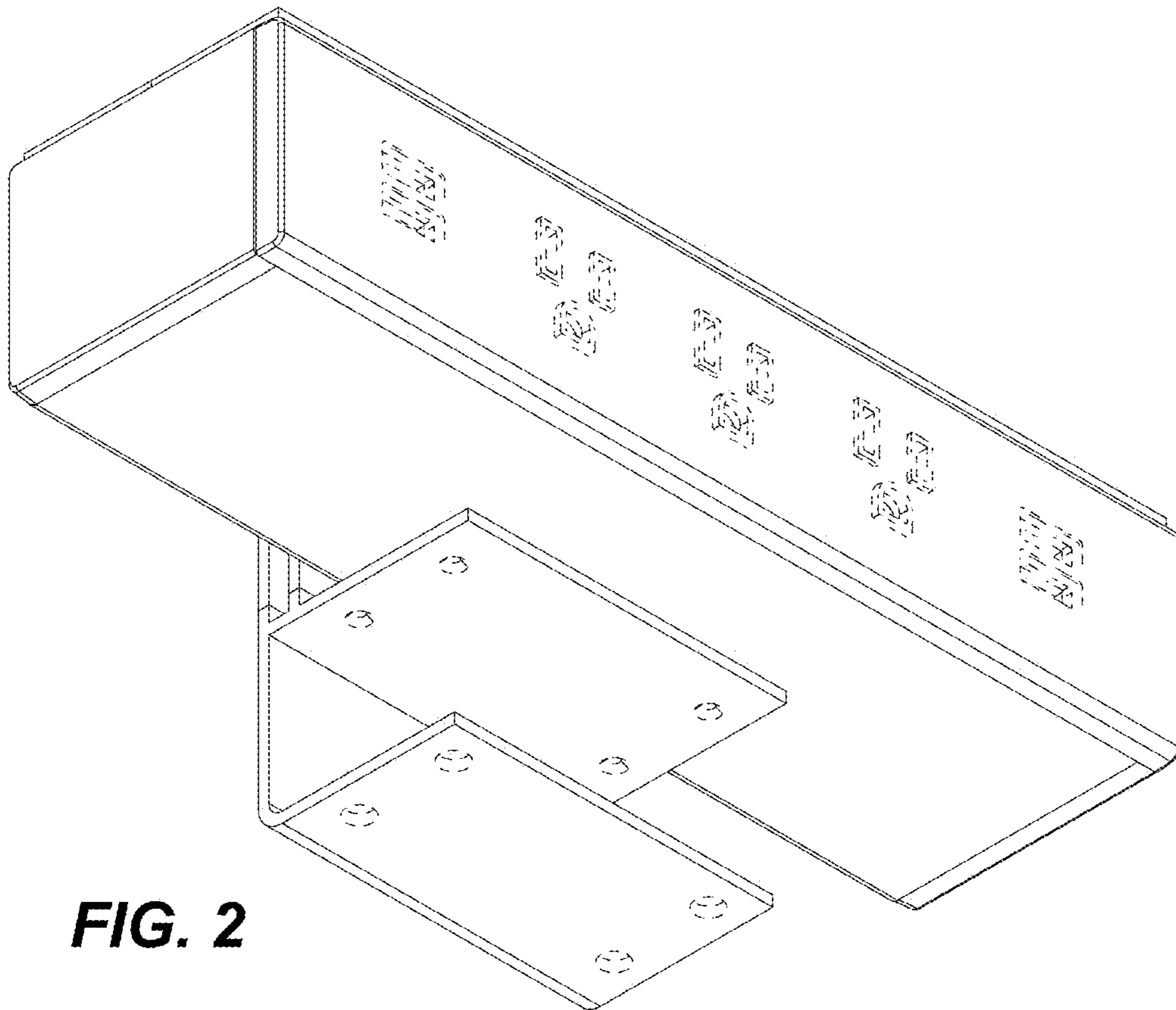


FIG. 2

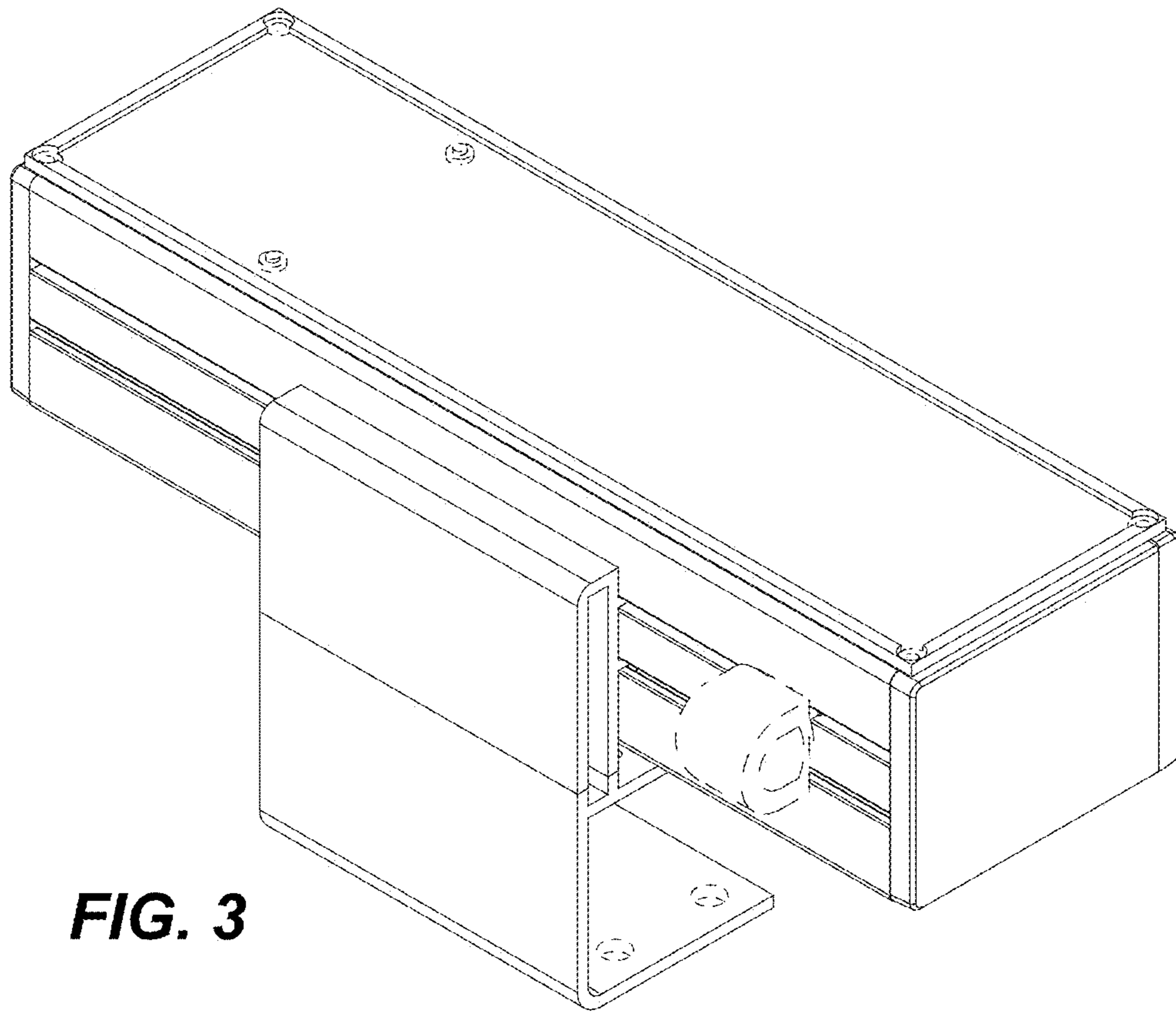


FIG. 3

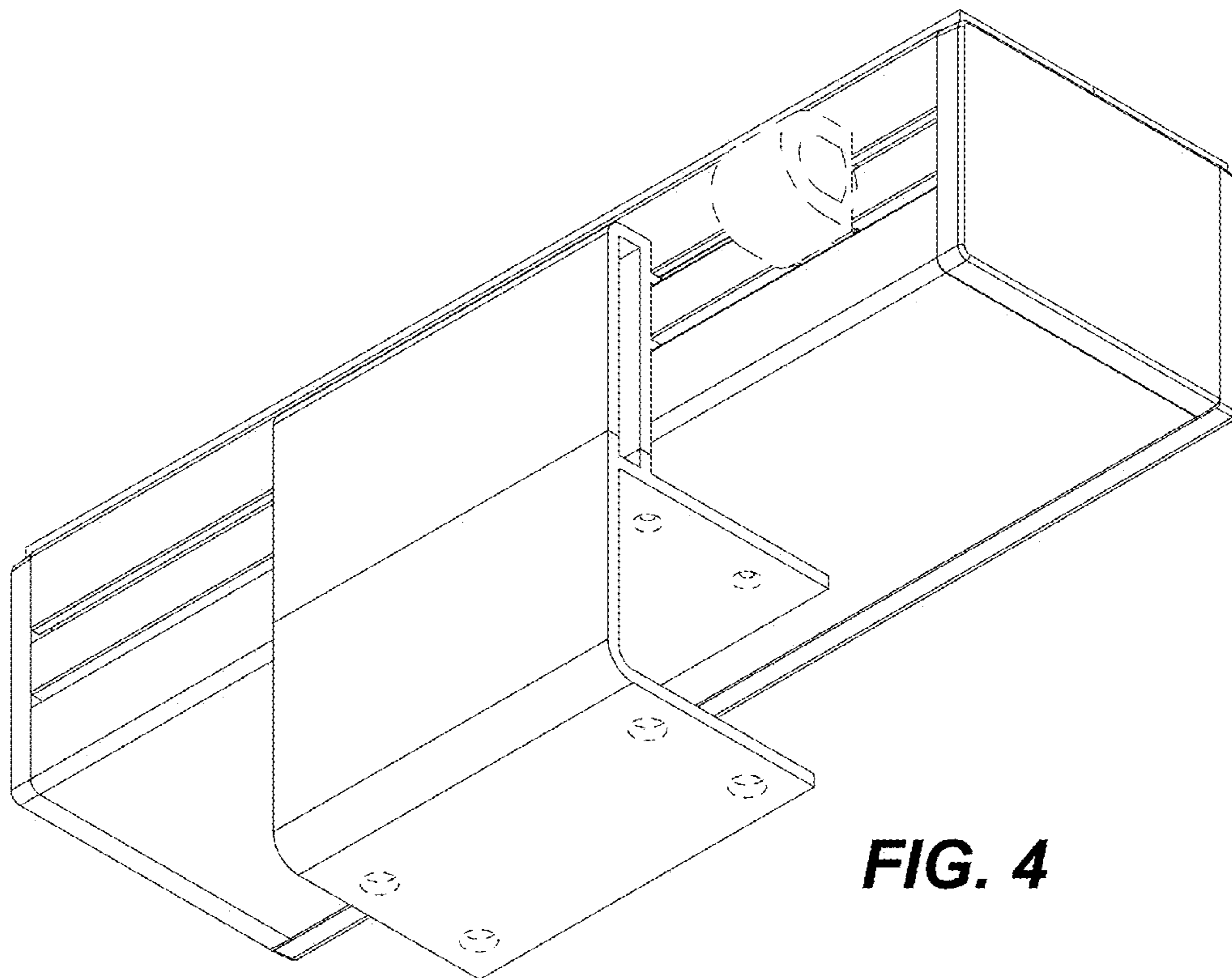
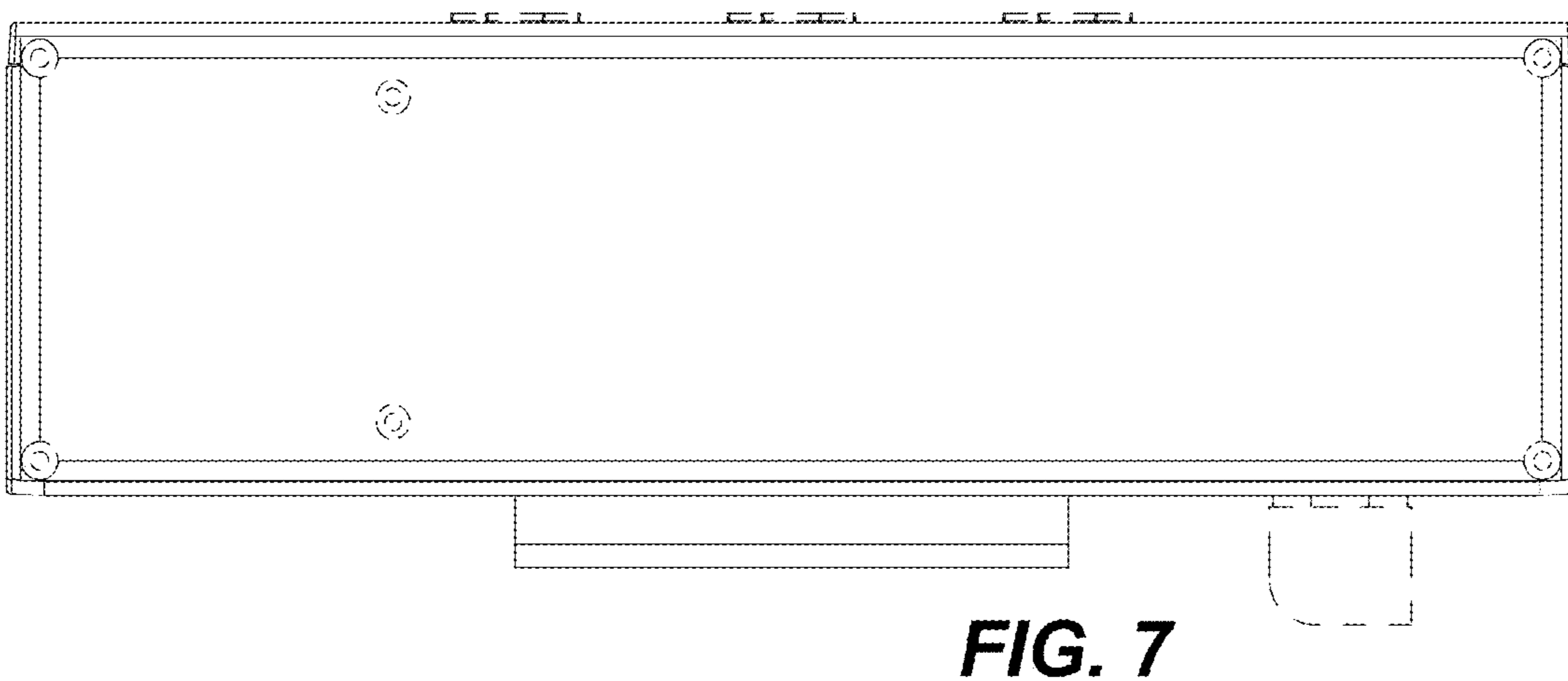
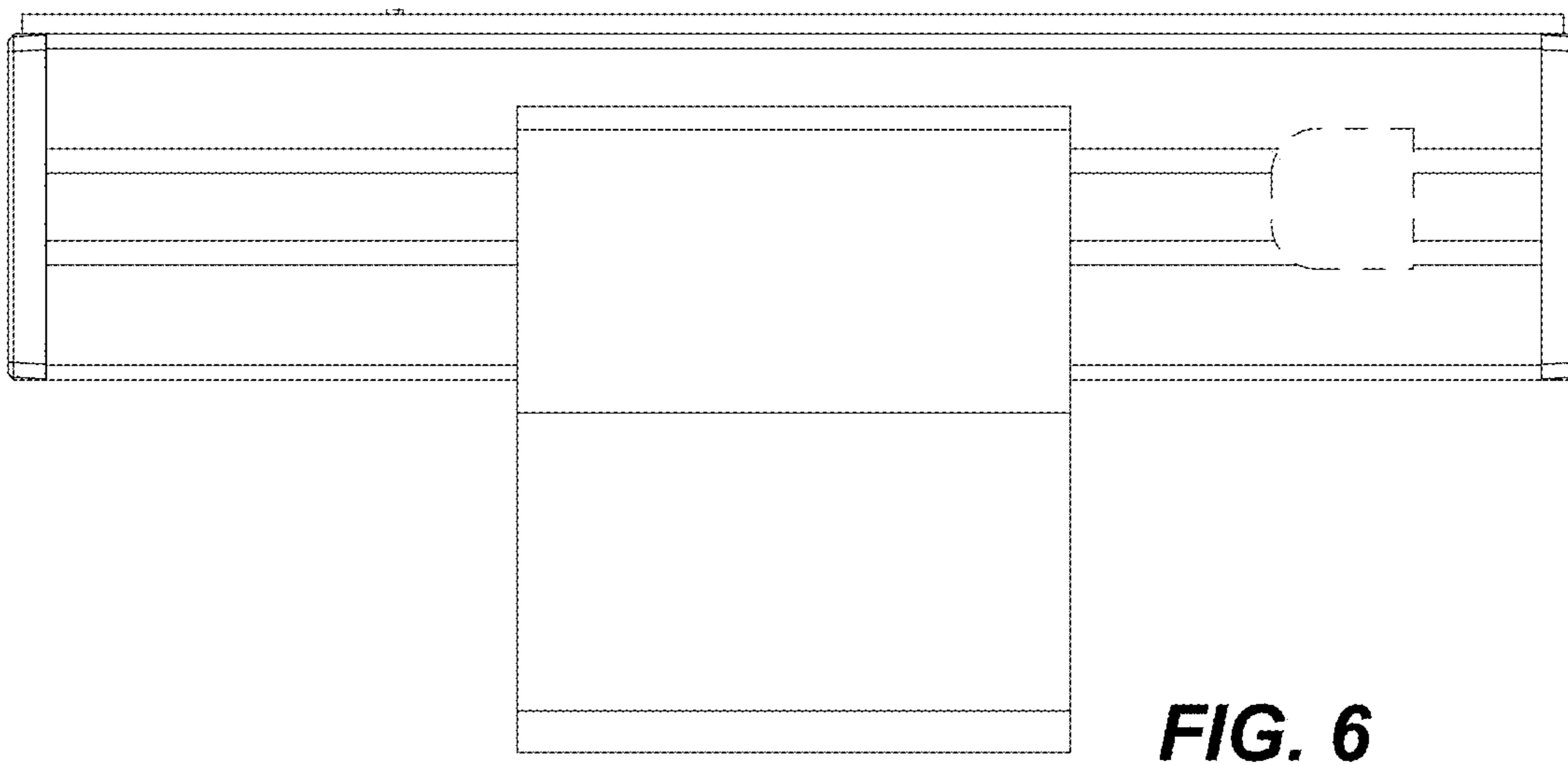
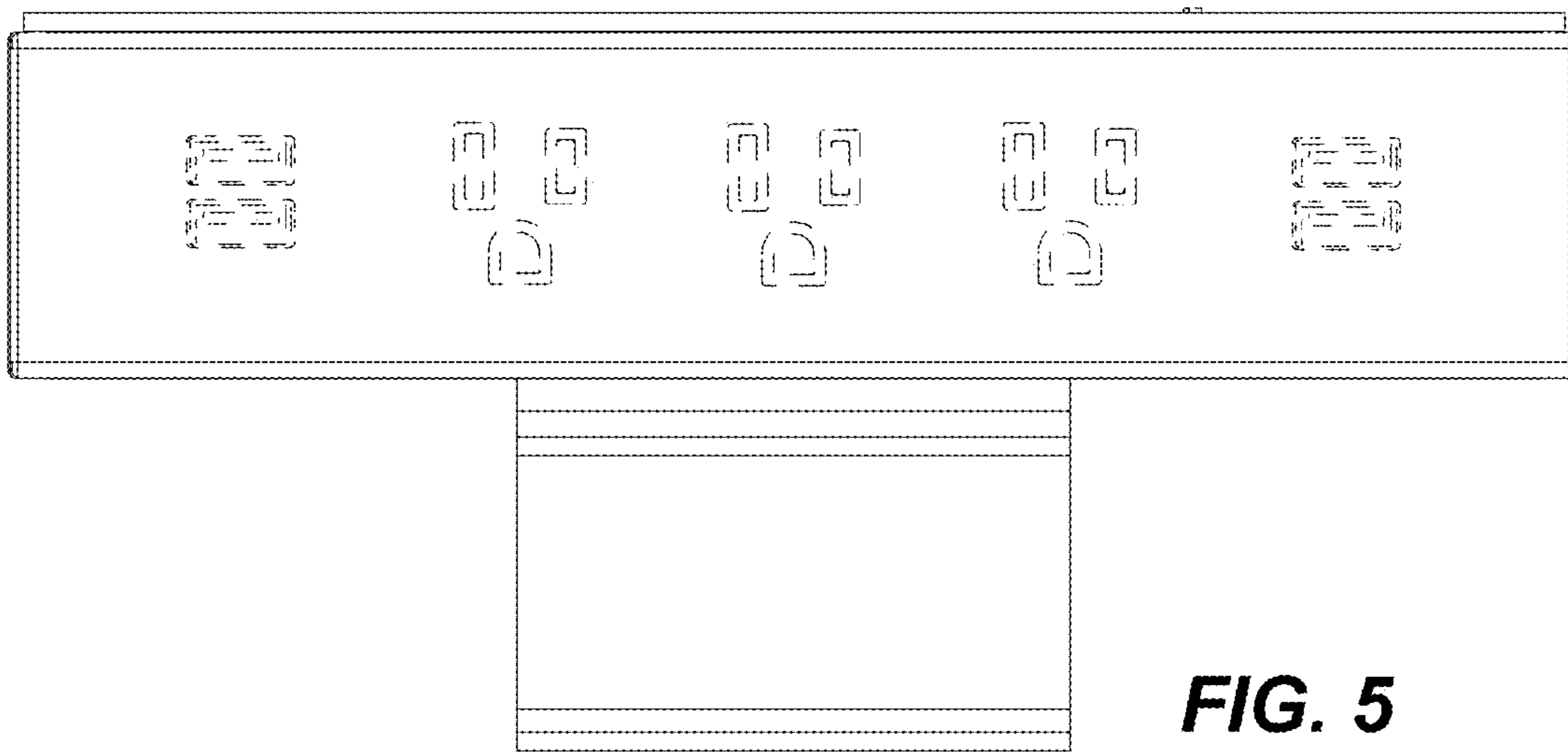


FIG. 4



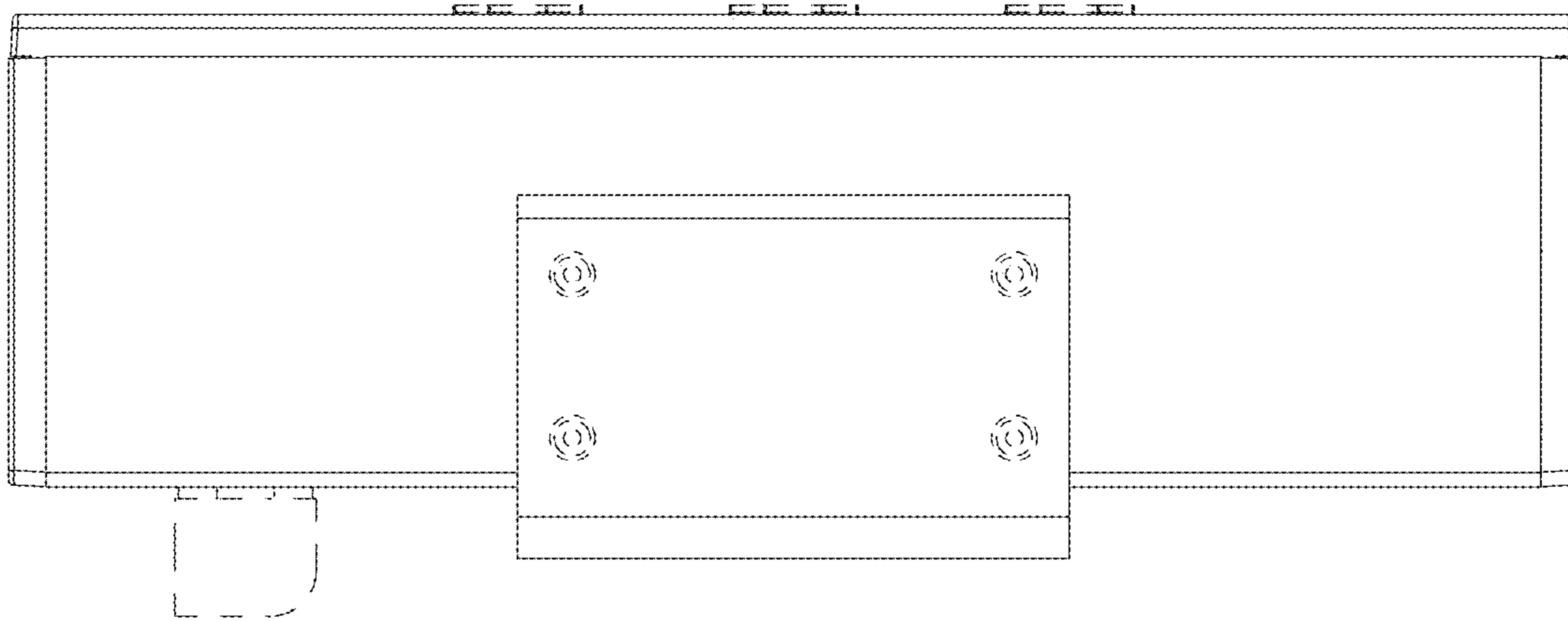


FIG. 8

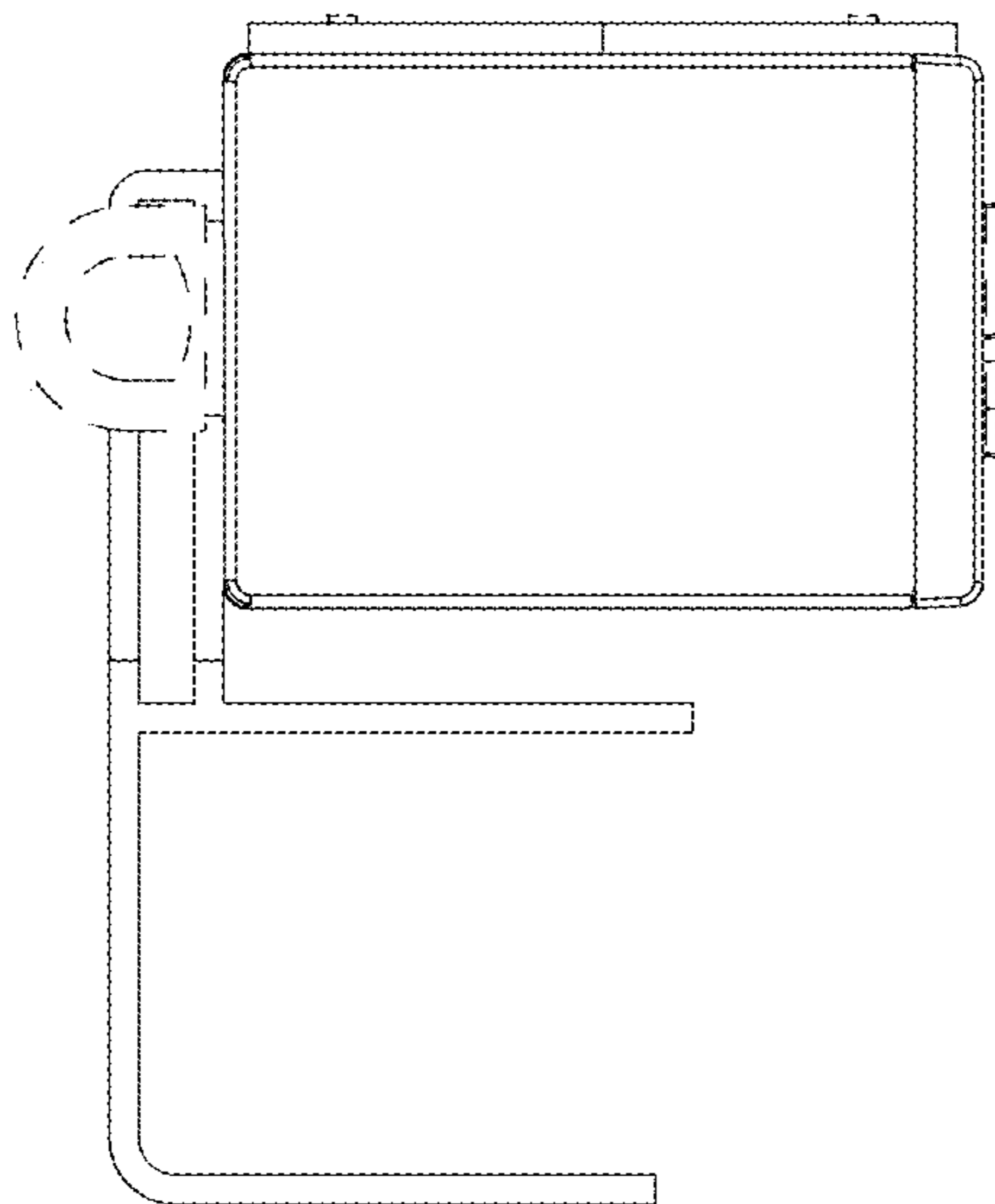


FIG. 9

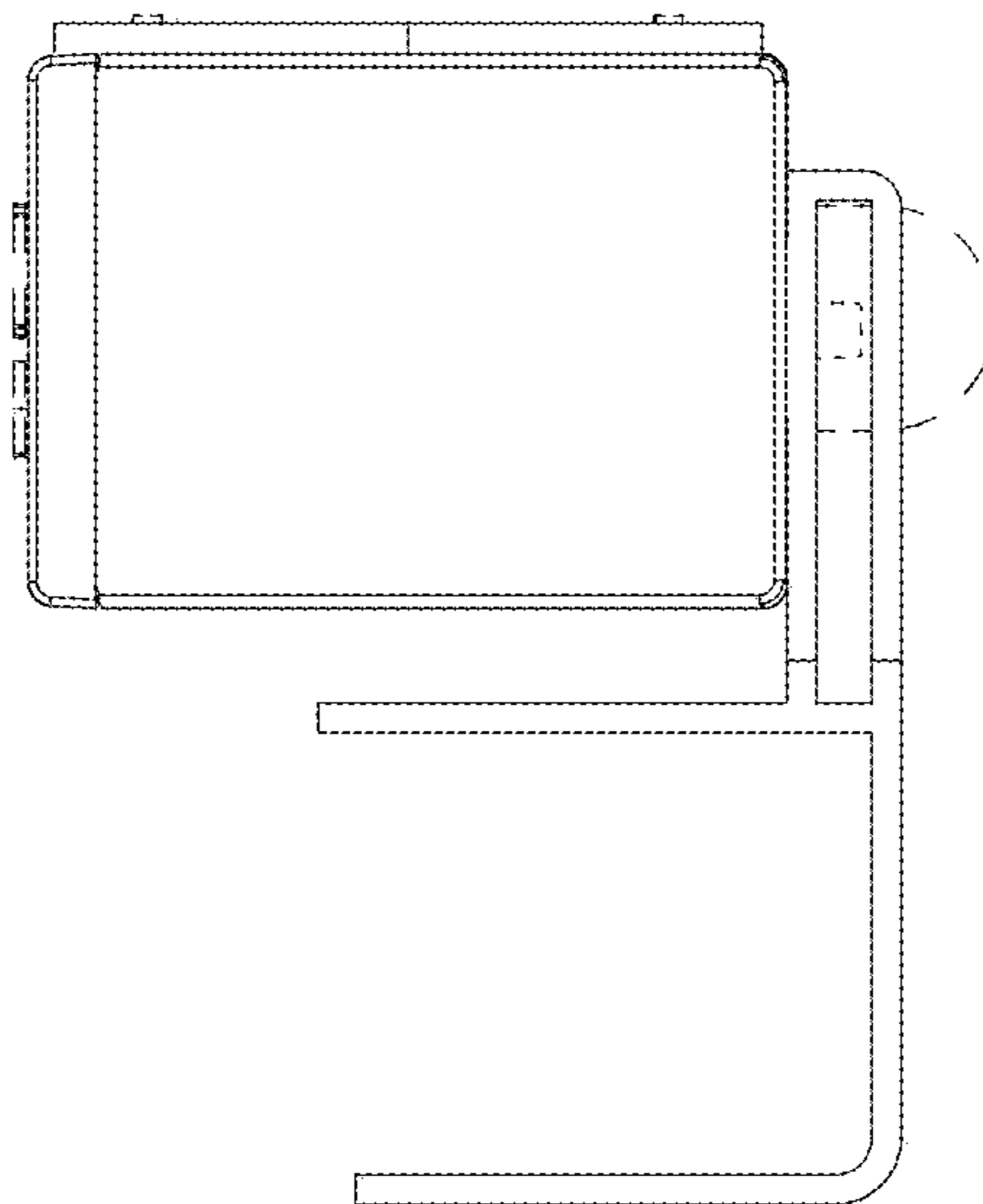


FIG. 10