



US00D887361S

(12) **United States Design Patent**
Tak et al.

(10) **Patent No.:** **US D887,361 S**
(45) **Date of Patent:** **** Jun. 16, 2020**

(54) **POWER CABLE ACCESSORY**

(71) Applicant: **Google LLC**, Mountain View, CA (US)

(72) Inventors: **Jung Geun Tak**, Millbrae, CA (US);
Maj Isabelle Olsson, Sunnyvale, CA (US);
Katherine Morgenroth, Los Gatos, CA (US);
Livius Dumitru Chebeleu, San Jose, CA (US)

(73) Assignee: **Google LLC**, Mountain View, CA (US)

(**) Term: **15 Years**

(21) Appl. No.: **29/619,910**

(22) Filed: **Oct. 3, 2017**

(51) **LOC (12) Cl.** **13-03**

(52) **U.S. Cl.**
USPC **D13/138.1; D14/433; D13/133**

(58) **Field of Classification Search**

USPC D13/110, 112-114, 118, 123, 133, 137.1,
D13/137.4, 138.1, 138.2, 152-154, 173,
D13/178, 184, 199; D14/432, 433
CPC ... H01R 3/00; H01R 9/00; H01R 9/02; H01R
13/00; H01R 13/02; H01R 13/64; H01R
13/66; H01R 13/717; H01R 27/00
See application file for complete search history.

(56) **References Cited**

U.S. PATENT DOCUMENTS

D781,919 S * 3/2017 Beck D14/496
D788,820 S * 6/2017 Beck D14/203.6
D796,447 S * 9/2017 Kusano D13/146
D804,532 S * 12/2017 Mangum D14/496
D843,942 S * 3/2019 Kusano D13/133
D851,089 S * 6/2019 Sweet D14/433

D851,090 S * 6/2019 Tak D14/433
2011/0009003 A1* 1/2011 Youssefi-Shams H01R 13/44
439/628
2014/0376765 A1* 12/2014 Toelle H04R 1/1058
381/384

OTHER PUBLICATIONS

Google Home Max review dated Dec. 21, 2017, [online], [site visited Oct. 24, 2019]. Available from Internet, URL: <https://techcrunch.com/2017/12/21/google-home-max-review/> (Year: 2017).*

(Continued)

Primary Examiner — Angela J Lee

Assistant Examiner — Shawn T Gingrich

(74) *Attorney, Agent, or Firm* — Morgan, Lewis & Bockius LLP

(57) **CLAIM**

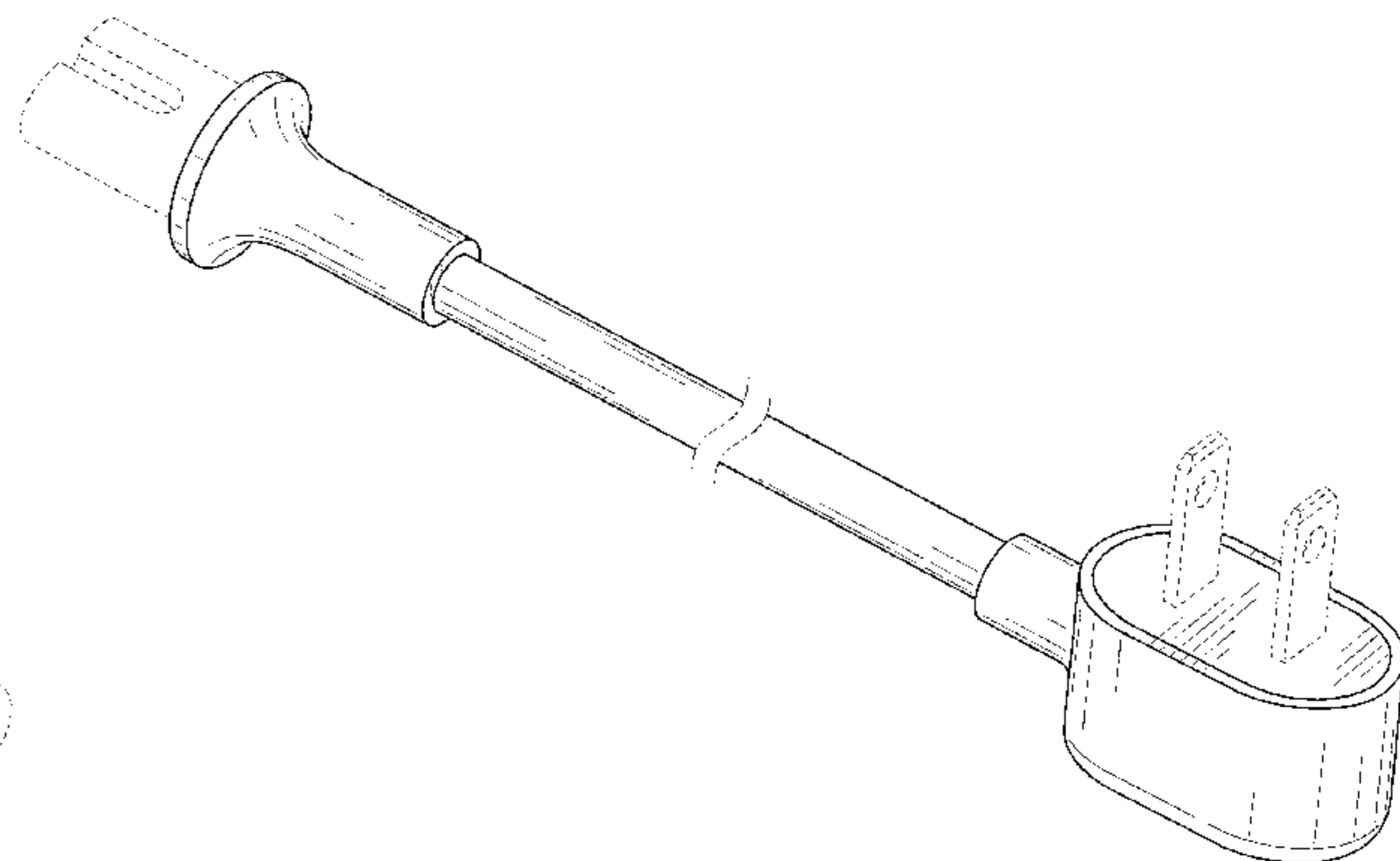
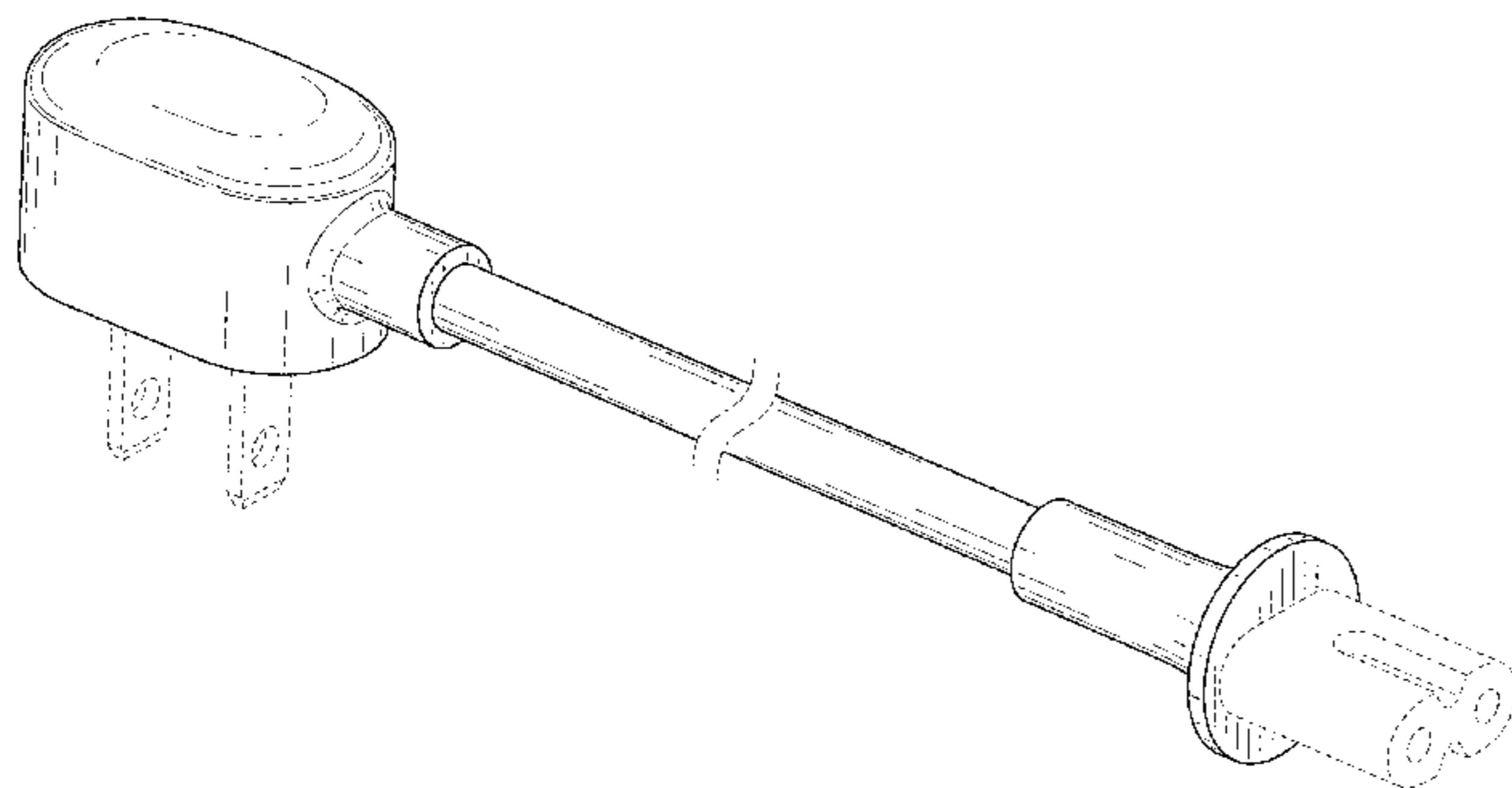
The ornamental design for a power cable accessory, as shown and described.

DESCRIPTION

FIG. 1 is a front perspective view of the power cable accessory according to an embodiment of our design; FIG. 2 is a front elevation view thereof; FIG. 3 is a rear elevation view thereof; FIG. 4 is a right side elevation view thereof; FIG. 5 is a left side elevation view thereof; FIG. 6 is a top plan view thereof; FIG. 7 is a bottom plan view thereof; and, FIG. 8 is a rear perspective view thereof.

The pairs of closely adjacent, spaced wavy dash-dot broken lines represent a symbolic break in the length and form no part of the claimed design. The appearance of any portion of the article between the dash-dot lines forms no part of the claimed design. The dash-dash broken lines are directed to portions that form no part of the claimed design.

1 Claim, 6 Drawing Sheets



(56)

References Cited

OTHER PUBLICATIONS

Sonos Play:5 (Gen 2) Power Cable, dated Dec. 3, 2015, [online], [site visited Oct. 24, 2019]. Available from Internet, URL: <https://www.flickr.com/photos/nanpalmero/23398919522/in/photostream/> (Year: 2015).*

HomePod vs Google Home Max vs Sonos One, dated Feb. 20, 2018, [online], [site visited Oct. 24, 2019]. Available from Internet, URL: <https://www.youtube.com/watch?v=uUyMte6yqXc> (Year: 2018).*

Vebos Power cable Sonos Playbase white 118 inch/3 m Compatible with Sonos Playbase , dated Jan. 2, 2017, [online], [site visited Oct. 24, 2019]. Available from Internet, URL: <https://www.amazon.com/Vebos-Playbase-Compatible-Replacement-original/dp/B077ZBLLWC> (Year: 2017).*

* cited by examiner

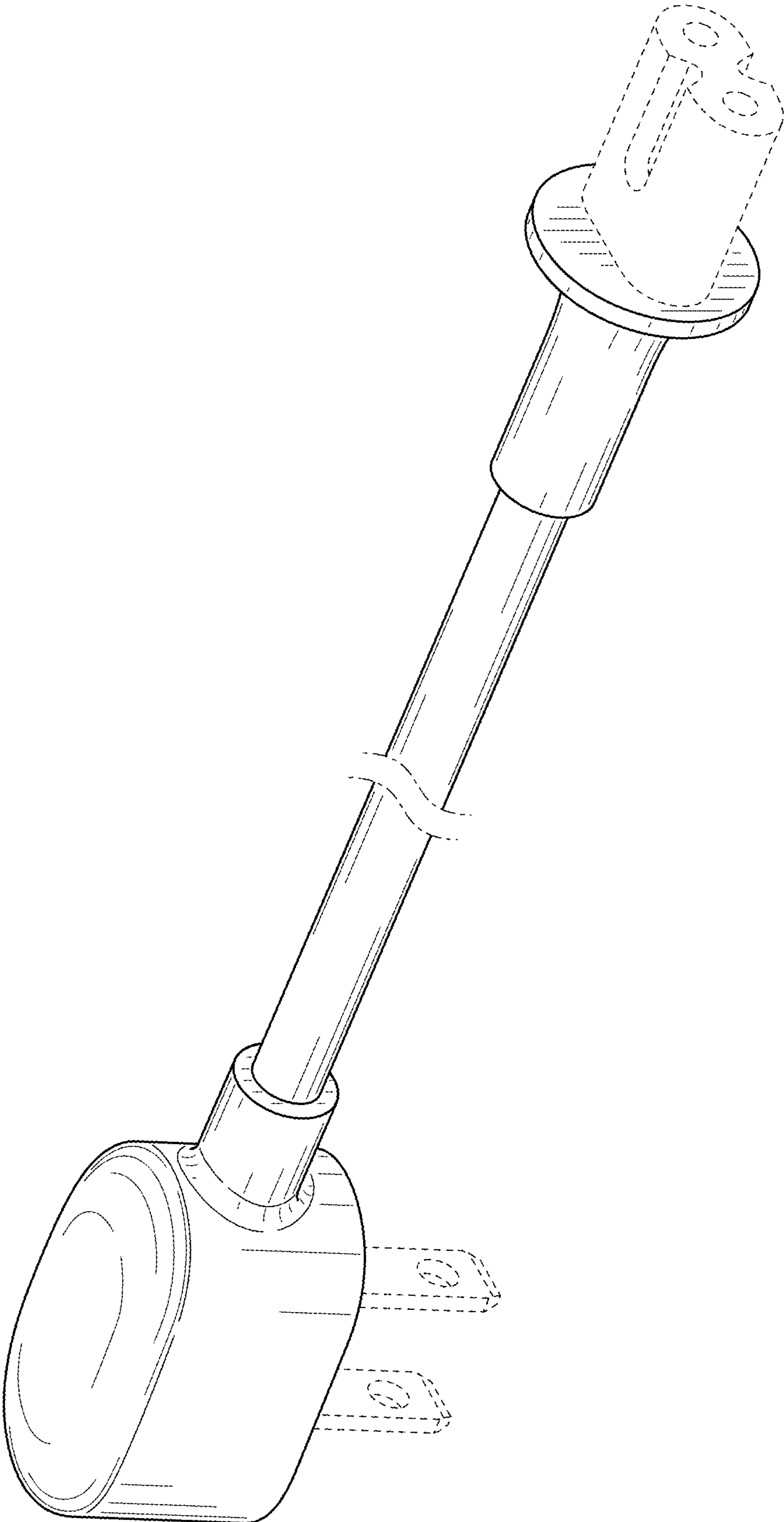


FIG. 1

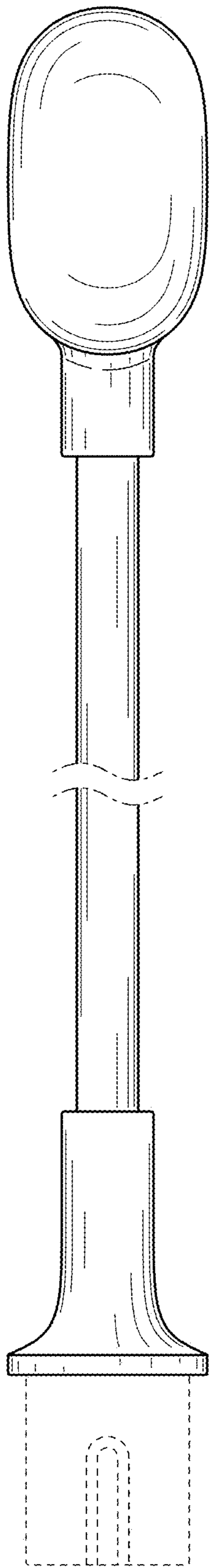


FIG. 2

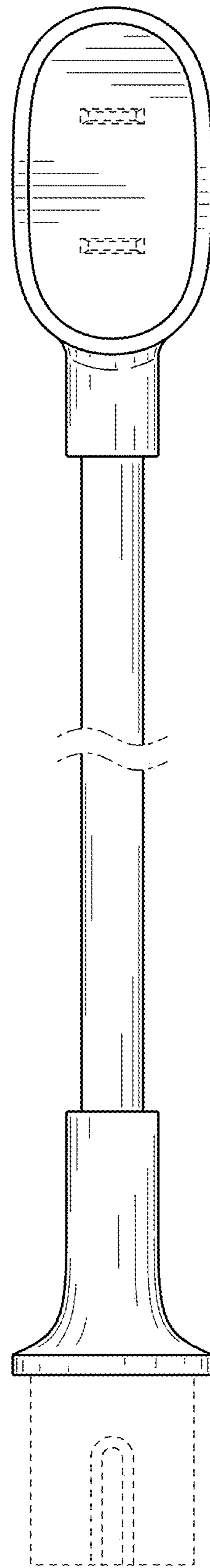


FIG. 3

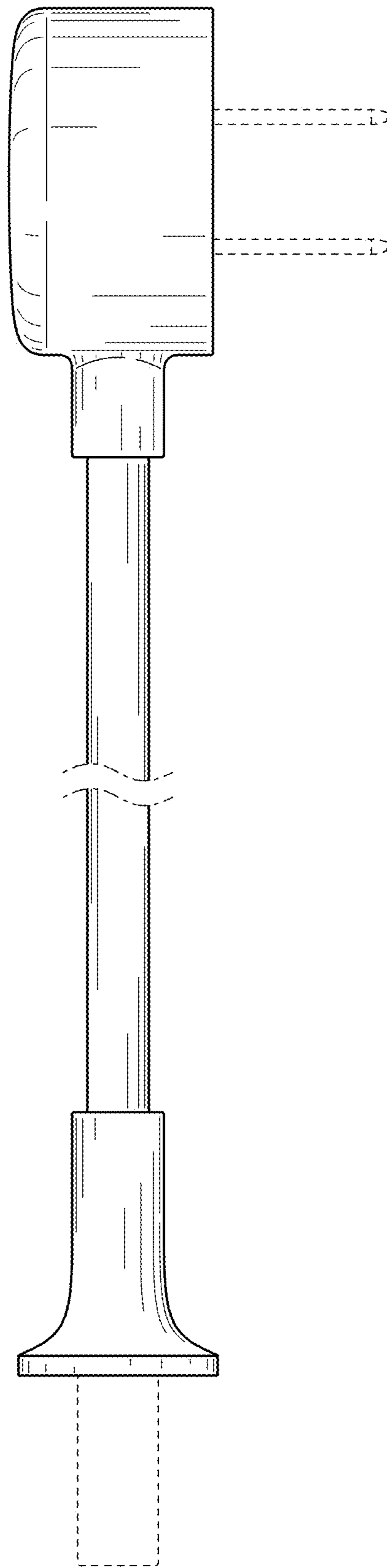


FIG. 4

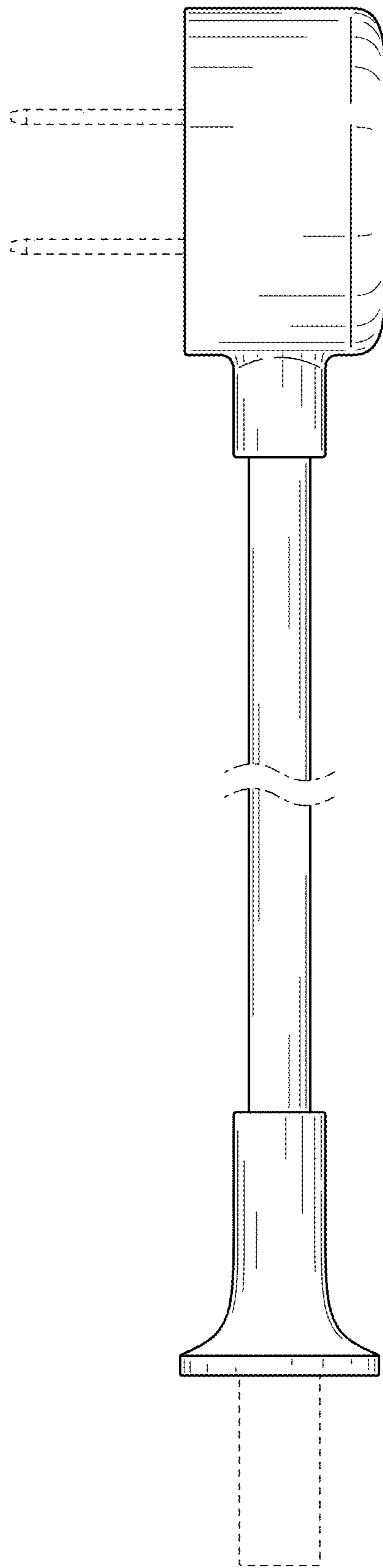


FIG. 5

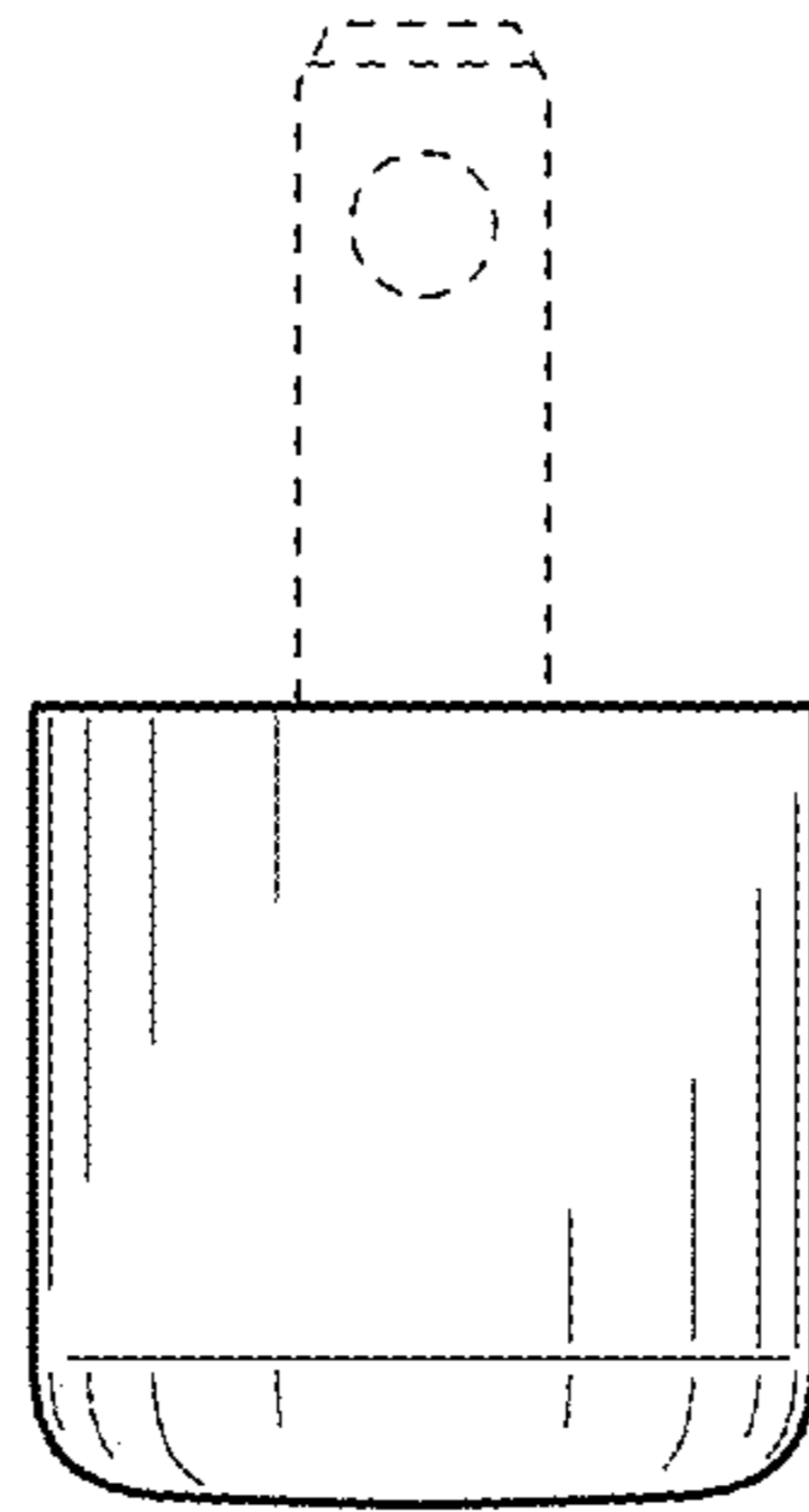


FIG. 6

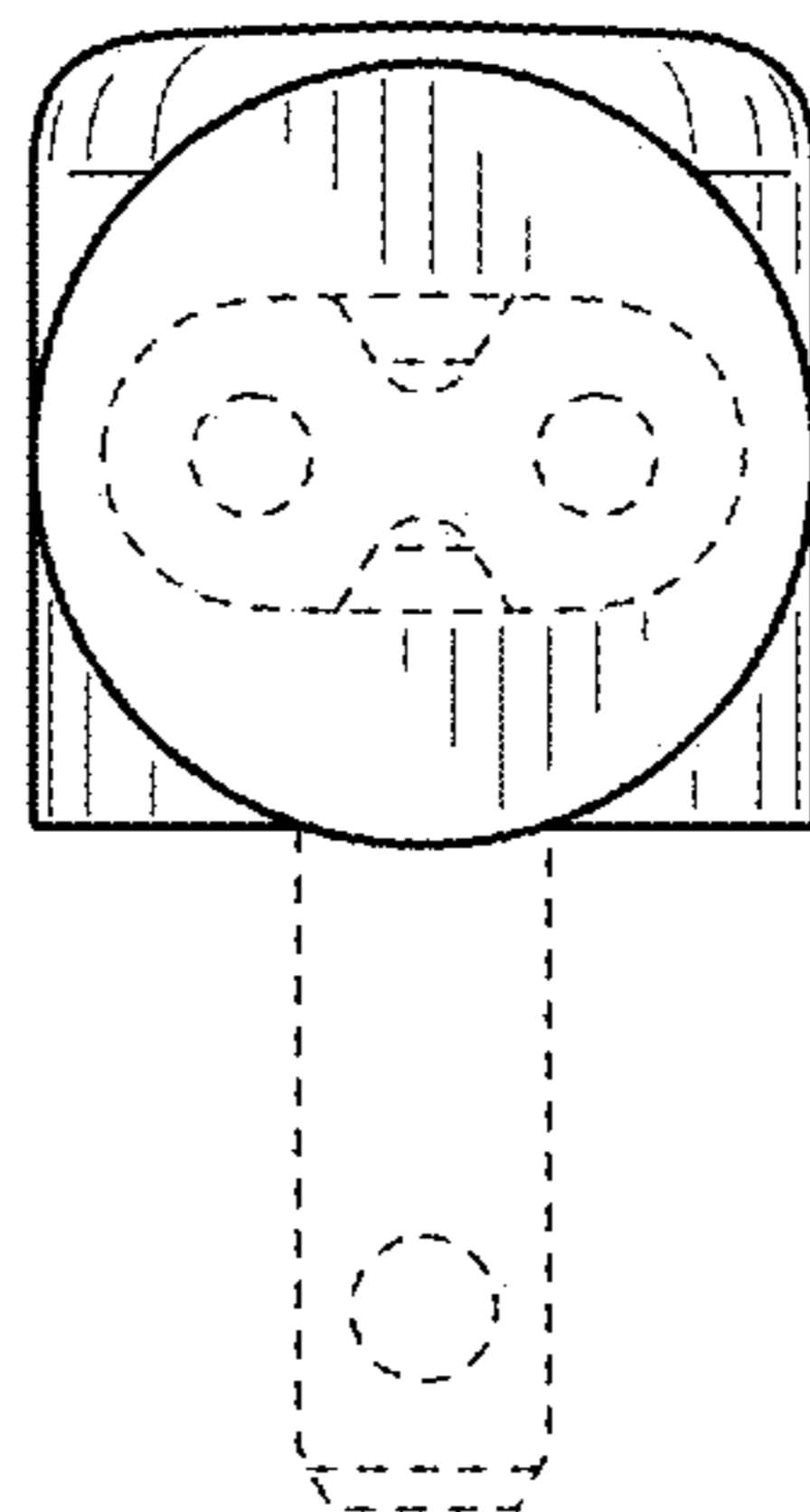


FIG. 7

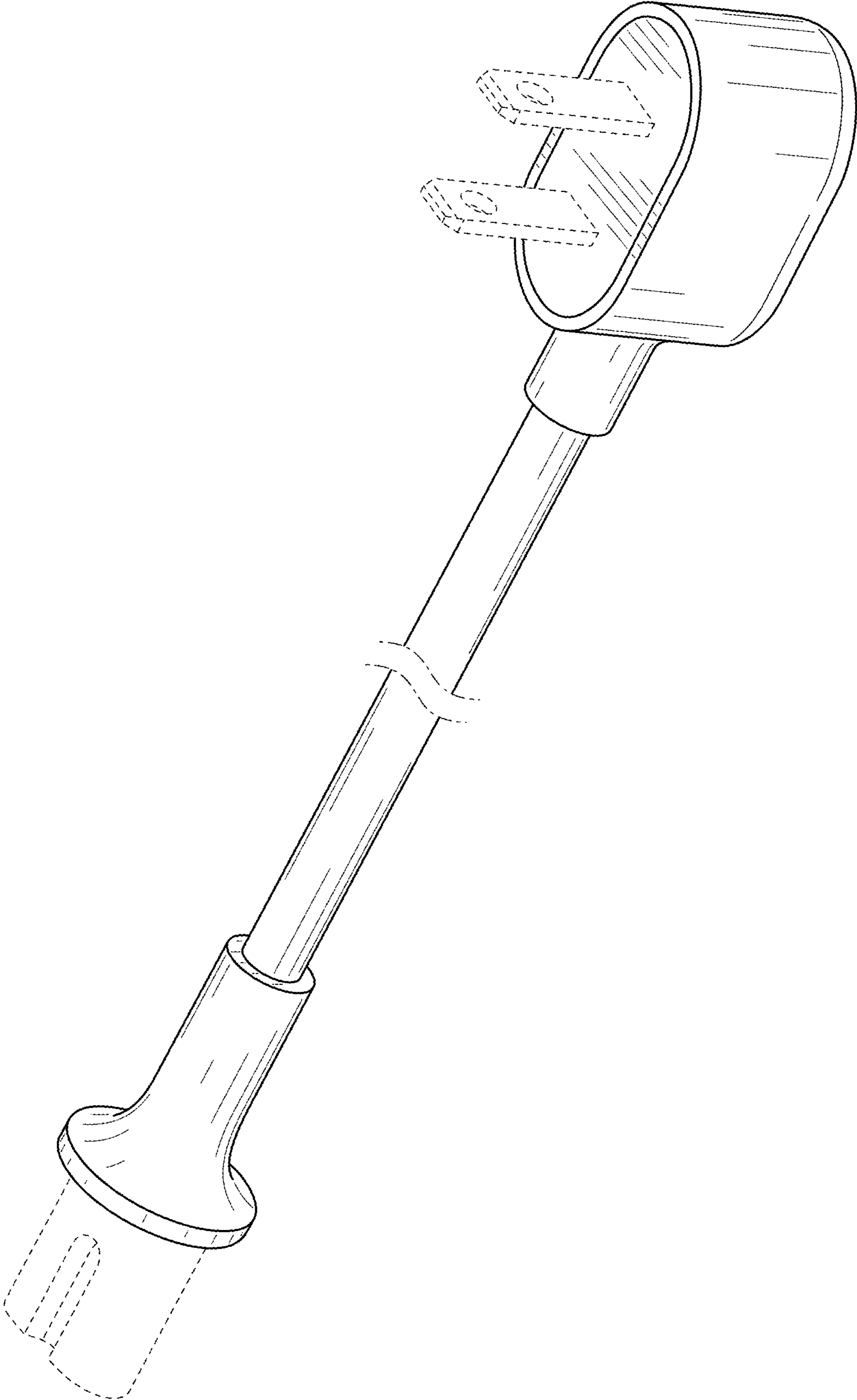


FIG. 8