



US00D887360S

(12) **United States Design Patent**  
**Okamoto et al.**

(10) **Patent No.:** **US D887,360 S**  
(45) **Date of Patent:** **\*\* Jun. 16, 2020**

(54) **ELECTRIC CONNECTOR**

(71) Applicant: **HOSIDEN CORPORATION**, Osaka  
(JP)

(72) Inventors: **Toshimune Okamoto**, Gunma (JP);  
**Hideto Kobayashi**, Gunma (JP)

(73) Assignee: **Hosiden Corporation**, Osaka (JP)

(\*\*) Term: **15 Years**

(21) Appl. No.: **29/636,826**

(22) Filed: **Feb. 12, 2018**

(30) **Foreign Application Priority Data**

Aug. 31, 2017 (JP) ..... 2017-018876

(51) **LOC (12) Cl.** ..... **13-03**

(52) **U.S. Cl.**  
USPC ..... **D13/133**

(58) **Field of Classification Search**  
USPC ..... D13/101, 118, 123, 133, 145, 156, 147,  
D13/149, 154, 184, 199  
CPC ..... H01R 9/05; H01R 12/17; H01R 12/70;  
H01R 13/58; H01R 13/436; H01R  
13/514; H01R 13/627; H01R 24/04;  
H01R 24/50  
See application file for complete search history.

(56) **References Cited**

**U.S. PATENT DOCUMENTS**

4,046,452 A \* 9/1977 Cassarly ..... H01R 13/514  
439/594  
D334,013 S \* 3/1993 Nagasaka ..... D13/133  
5,685,731 A \* 11/1997 Lin ..... H01R 13/506  
439/344

D464,318 S \* 10/2002 Togashi ..... D13/133  
D578,072 S \* 10/2008 Hattori ..... D13/149  
2001/0026661 A1 \* 10/2001 de Jong ..... G02B 6/3831  
385/56  
2002/0114583 A1 \* 8/2002 Asada ..... G02B 68/3849  
385/78

**FOREIGN PATENT DOCUMENTS**

JP 1490698 S 2/2014  
JP 1528859 S 7/2015

\* cited by examiner

*Primary Examiner* — Derrick E Holland

(74) *Attorney, Agent, or Firm* — Dilworth & Barrese,  
LLP

(57) **CLAIM**

The ornamental design for an electric connector, as shown  
and described.

**DESCRIPTION**

FIG. 1 is a front view of an electric connector showing our  
new design;  
FIG. 2 is a rear view thereof;  
FIG. 3 is a left side view thereof;  
FIG. 4 is a right side view thereof;  
FIG. 5 is a top plan view thereof;  
FIG. 6 is a bottom plan view thereof;  
FIG. 7 is a top, left and front perspective view thereof;  
FIG. 8 is a top, right and front perspective view thereof; and,  
FIG. 9 is a sectional view thereof taken on line 9-9 of FIG.  
4.

The broken lines shown represent the portions of the electric  
connector that forms no part of the claimed design.

**1 Claim, 9 Drawing Sheets**

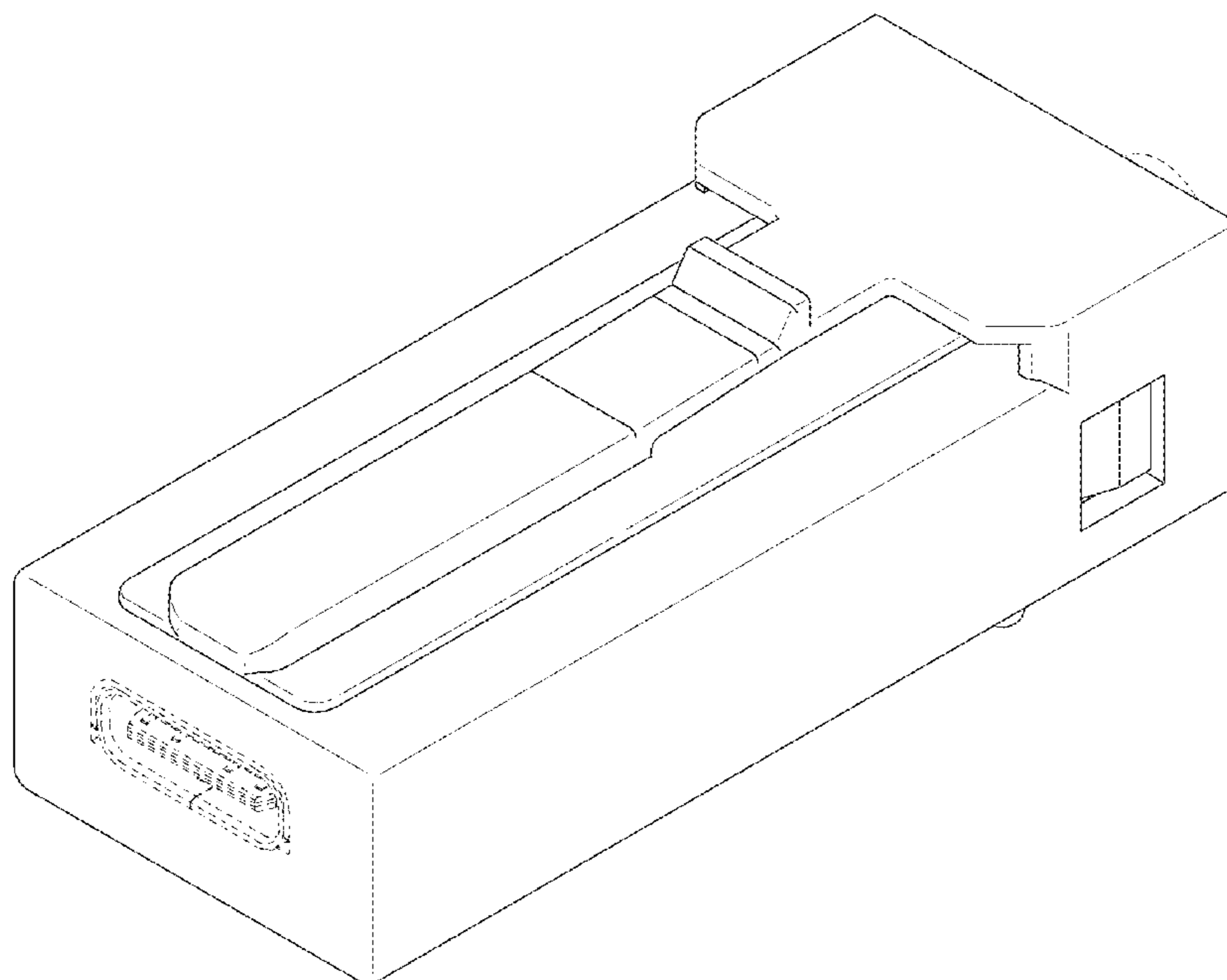


Fig.1

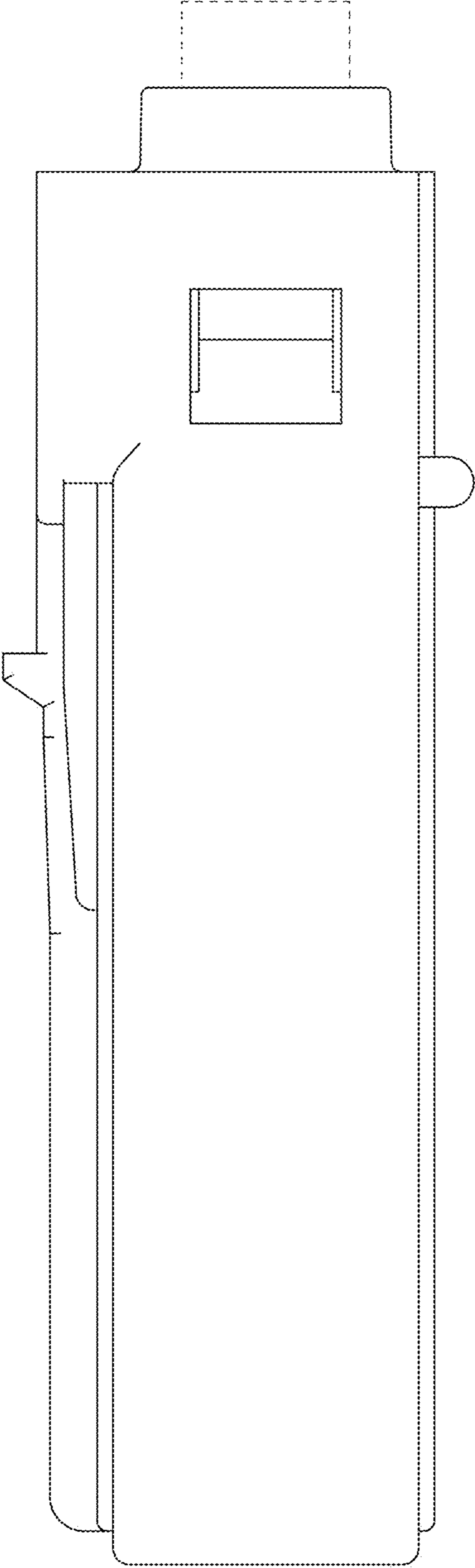


Fig.2

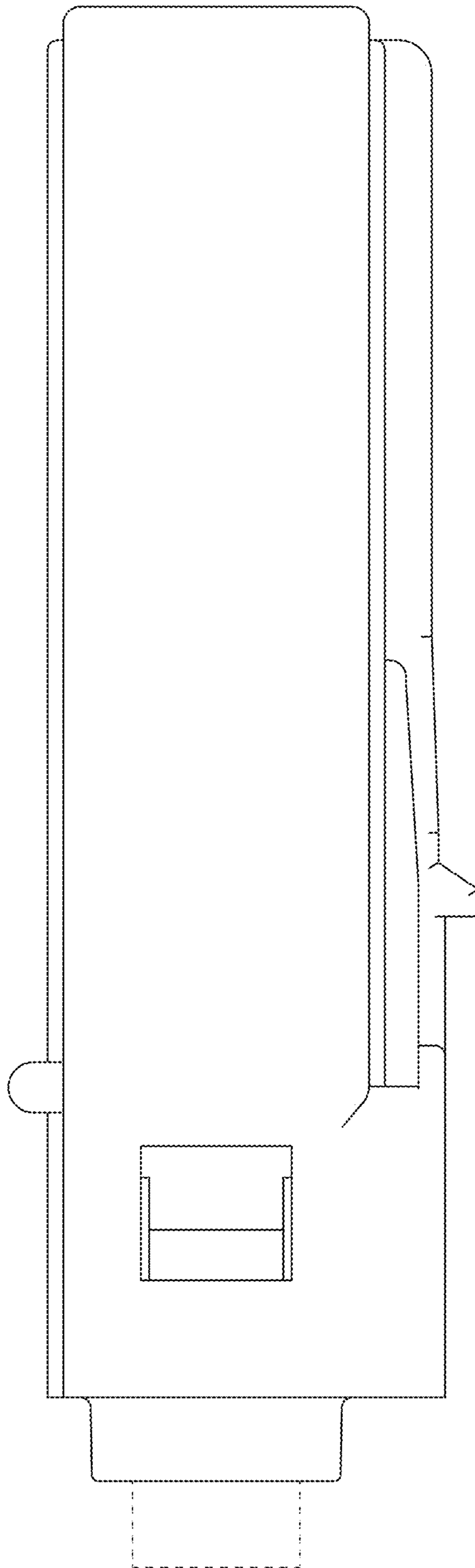


Fig.3

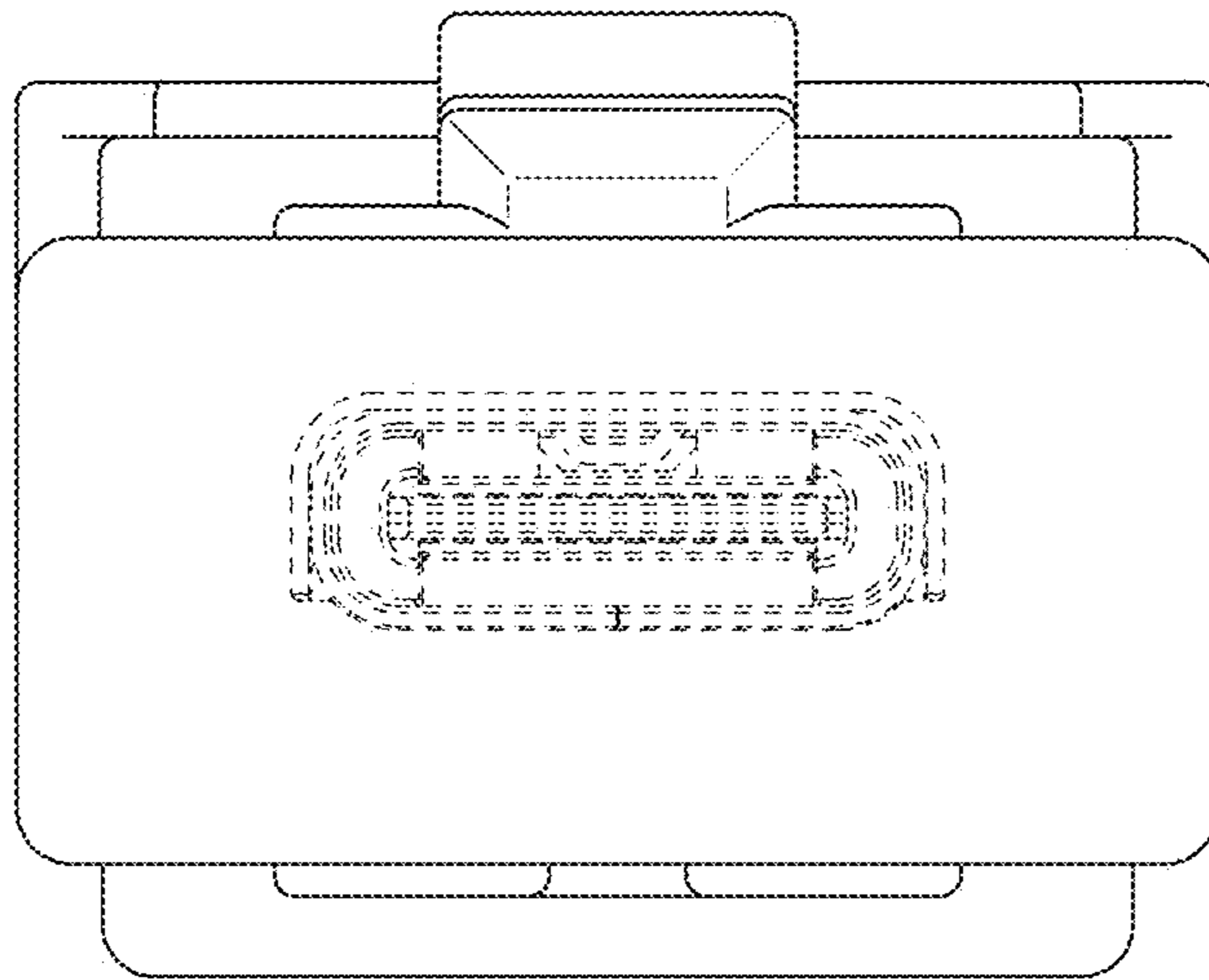


Fig.4

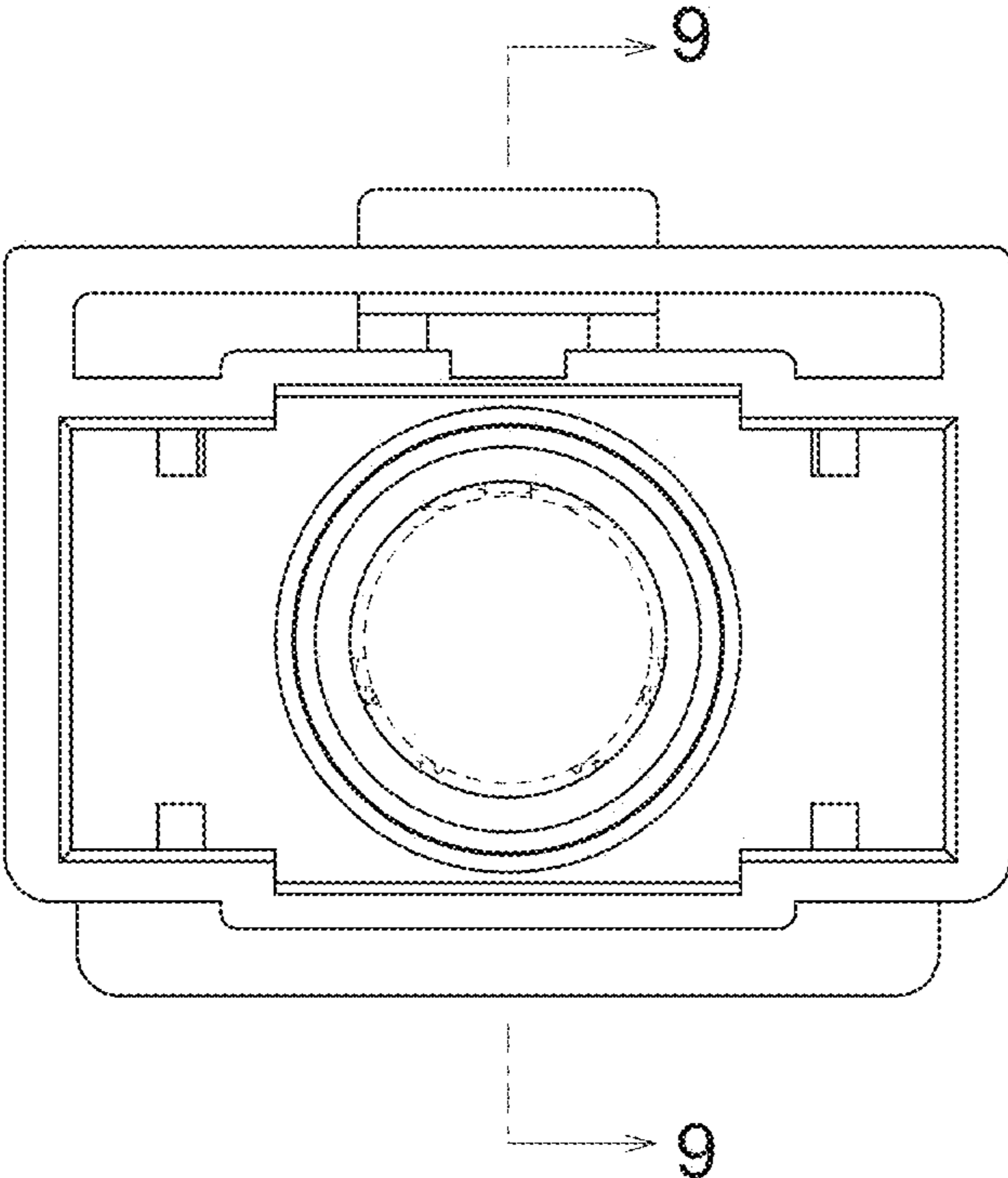


Fig. 5

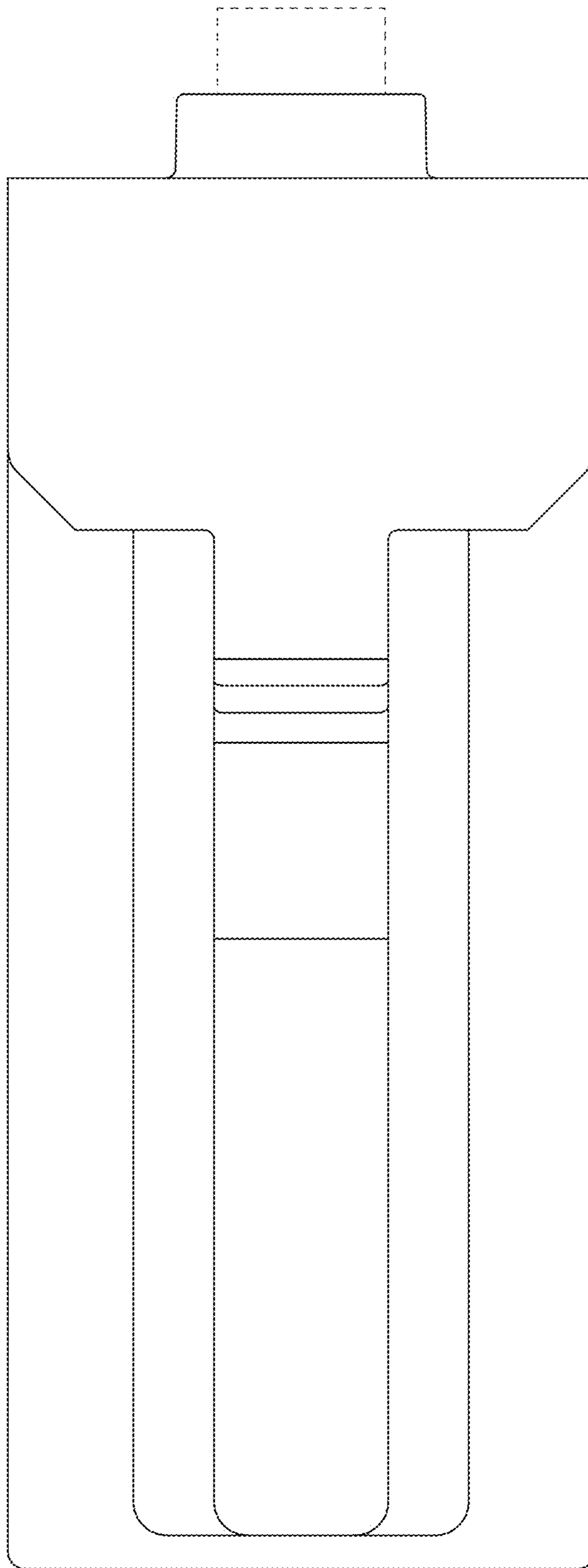


Fig.6

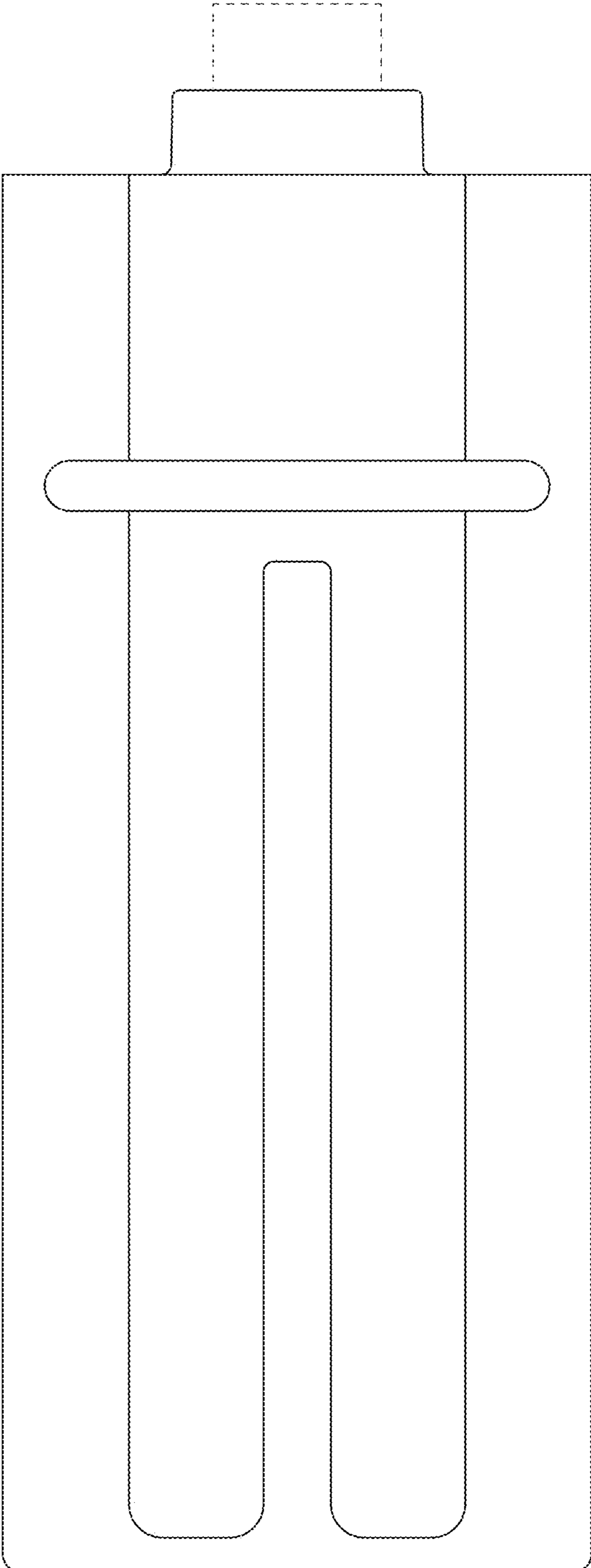


Fig. 7

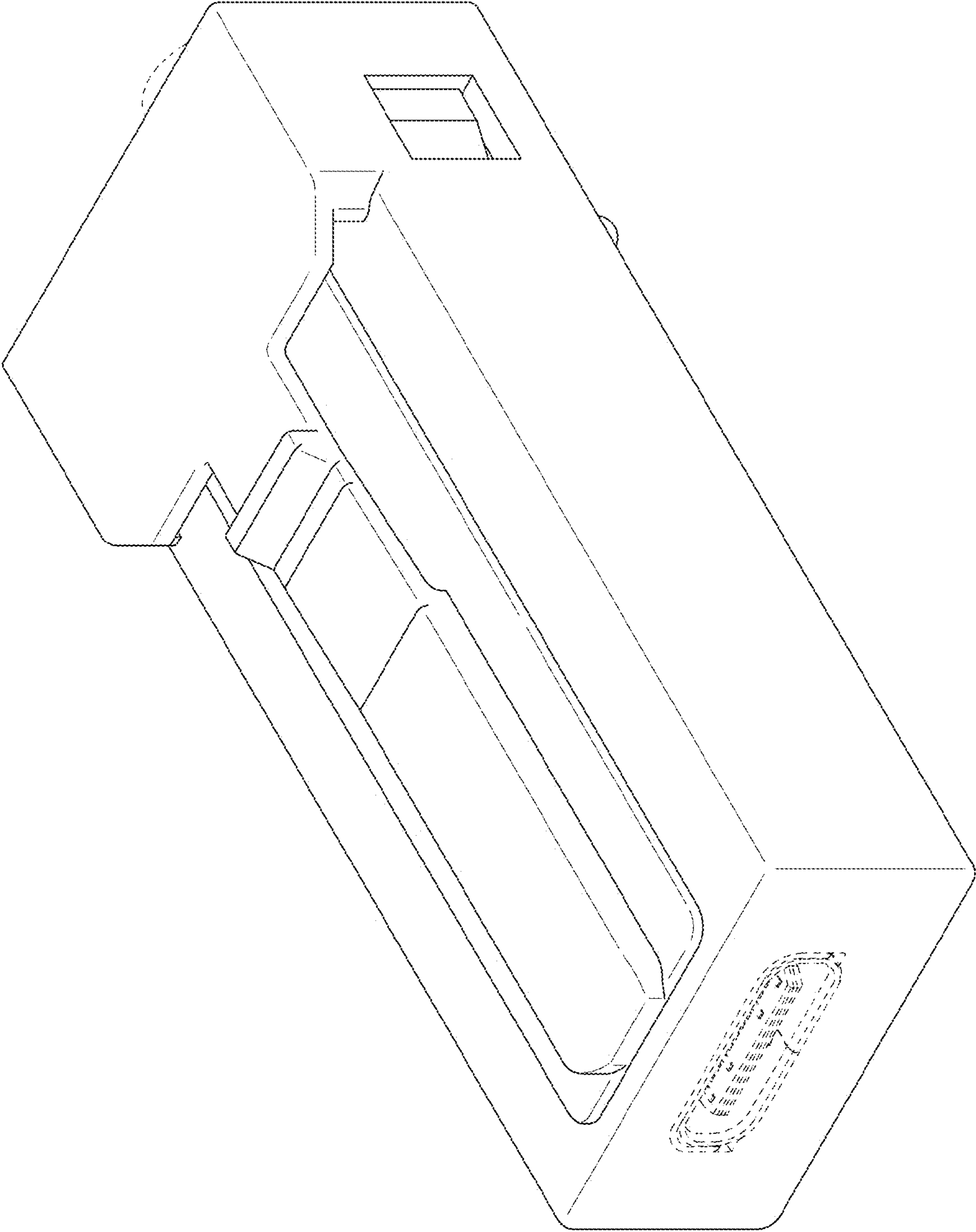




Fig. 8

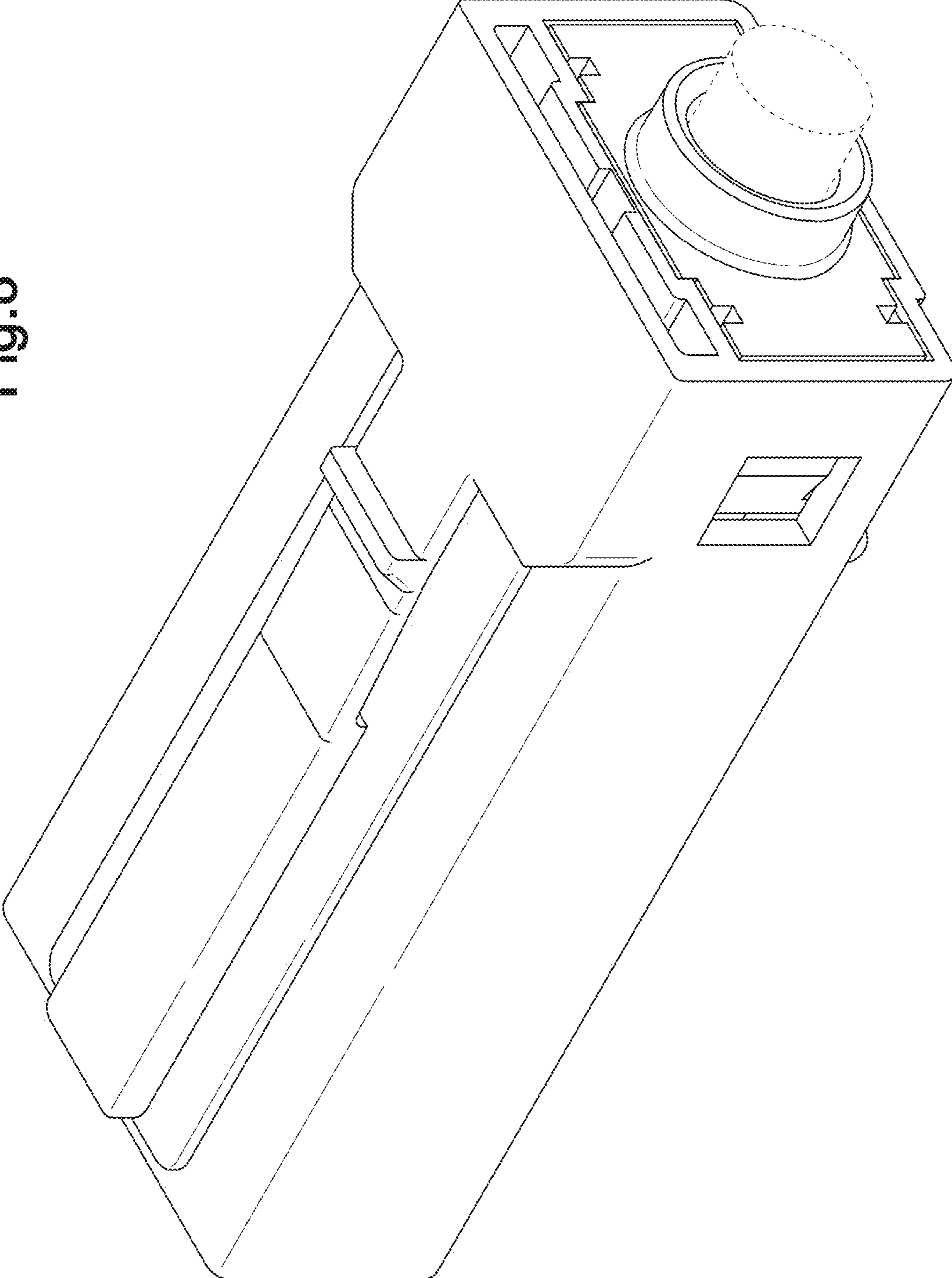


Fig. 9

