



US00D887359S

(12) **United States Design Patent**  
**McCoy, Jr.**

(10) **Patent No.:** **US D887,359 S**  
(45) **Date of Patent:** **\*\* Jun. 16, 2020**

(54) **ELECTRIC MOTOR MOUNT**

(71) Applicant: **LTA Distributing**, Millsboro, DE (US)

(72) Inventor: **Donald Andrew McCoy, Jr.**, Millsboro, DE (US)

(73) Assignee: **LTA Distributing**, Millsboro, DE (US)

(\*\*) Term: **15 Years**

(21) Appl. No.: **29/628,742**

(22) Filed: **Dec. 7, 2017**

(51) **LOC (12) Cl.** ..... **13-01**

(52) **U.S. Cl.**  
USPC ..... **D13/122**

(58) **Field of Classification Search**

USPC ..... D13/122, 112, 113, 114, 199; D15/1, 3,  
D15/5, 28, 123, 199; 310/10, 40 R, 42,  
310/51, 58, 71, 80, 83, 85, 89, 91, 109,  
310/236, 239, 254; 318/245, 255

CPC .. H02K 5/04; H02K 5/10; H02K 5/22; H02K  
5/148; H02K 29/14; H02P 6/06; F28F  
1/20; B23B 3/22; B61F 5/02; B61F 5/10;  
E04H 4/1654; Y10T 82/22; Y10T  
82/2522; Y10T 82/2529

See application file for complete search history.

(56) **References Cited**

**U.S. PATENT DOCUMENTS**

D416,227 S *	11/1999	Egan	.....	D13/122
D427,888 S *	7/2000	Hannon	.....	D8/354
D466,132 S *	11/2002	Ricci	.....	D15/1
D530,278 S *	10/2006	Lyle	.....	D13/122
D578,146 S *	10/2008	Tian	.....	D15/143
D603,795 S *	11/2009	Kono	.....	D13/118
7,690,283 B1 *	4/2010	Hall	.....	B23B 3/22 82/113

(Continued)

*Primary Examiner* — Derrick E Holland

(74) *Attorney, Agent, or Firm* — Miles & Stockbridge, P.C.

(57) **CLAIM**

The ornamental design for an electric motor mount, as shown and described.

**DESCRIPTION**

FIG. 1 is a top view of a first portion of an electric motor mount of FIG. 13 showing my new design;

FIG. 2 is a bottom view of the first portion of the electric motor mount of FIG. 13;

FIG. 3 is a front view of the first portion of the electric motor mount of FIG. 13;

FIG. 4 is a rear view of the first portion of the electric motor mount of FIG. 13;

FIG. 5 is a right side view of the first portion of the electric motor mount of FIG. 13;

FIG. 6 is a left side view of the first portion of the electric motor mount of FIG. 13;

FIG. 7 is a top view of a second portion of the electric motor mount of FIG. 13;

FIG. 8 is a bottom view of the second portion of the electric motor mount of FIG. 13;

FIG. 9 is a front view of the second portion of the electric motor mount of FIG. 13;

FIG. 10 is a rear view of the second portion of the electric motor mount of FIG. 13;

FIG. 11 is a right side view of the second portion of the electric motor mount of FIG. 13;

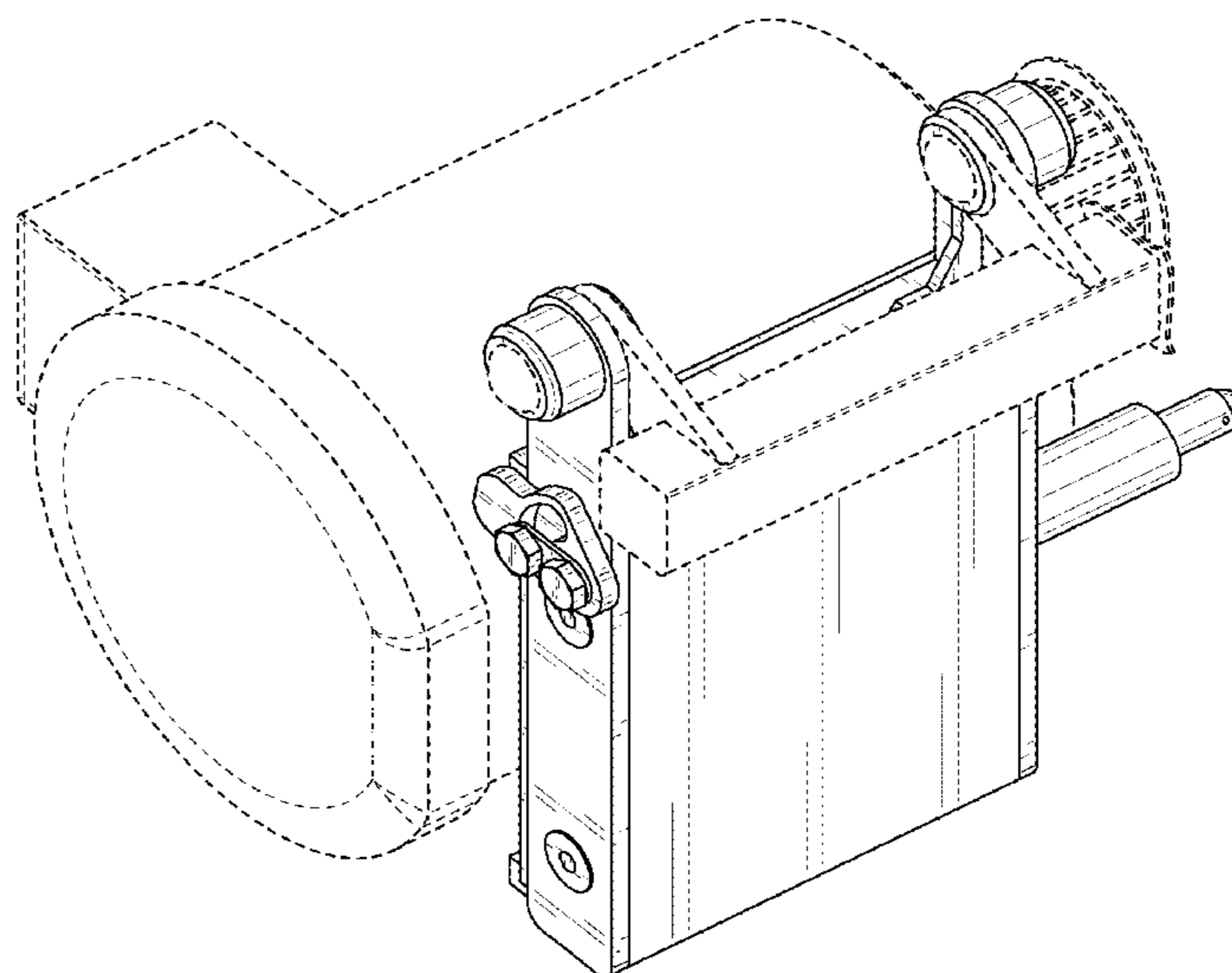
FIG. 12 is a left side view of the second portion of the electric motor mount of FIG. 13;

FIG. 13 is a fully-assembled perspective view of the electric motor mount showing my new design; and,

FIG. 14 is an exploded perspective view of the electric motor mount of FIG. 13.

The broken lines shown in FIGS. 1, 2, 9, and 10 represent the portions of the electric motor mount that form no part of the claimed design. The broken lines shown in FIGS. 13 and 14 represent environmental structure and form no part of the claimed design.

**1 Claim, 10 Drawing Sheets**



(56)

**References Cited**

U.S. PATENT DOCUMENTS

D619,962 S \* 7/2010 Gardner ..... D13/122  
9,822,542 B2 \* 11/2017 Panzella ..... E04H 4/1654

\* cited by examiner

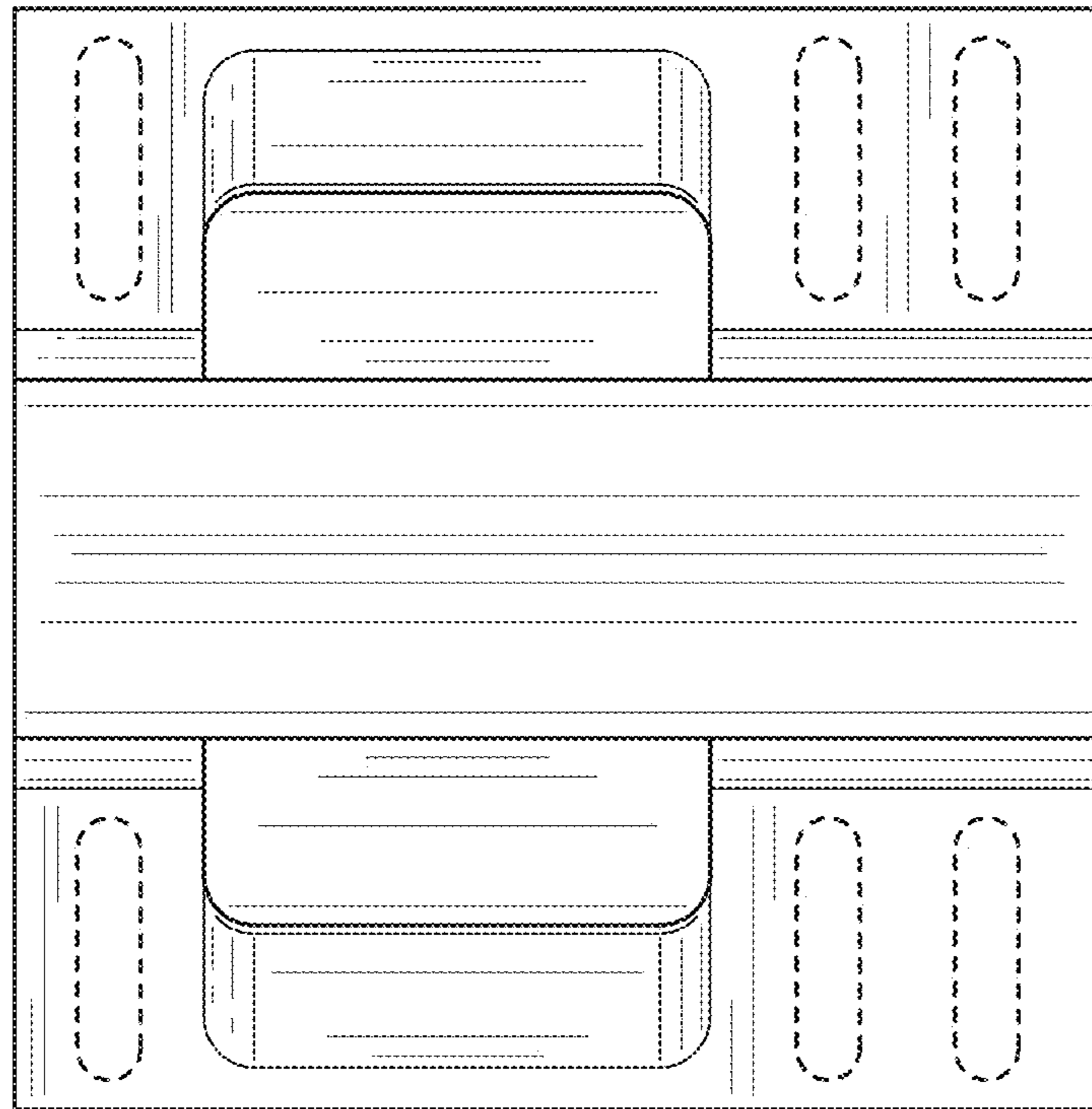


FIG. 1

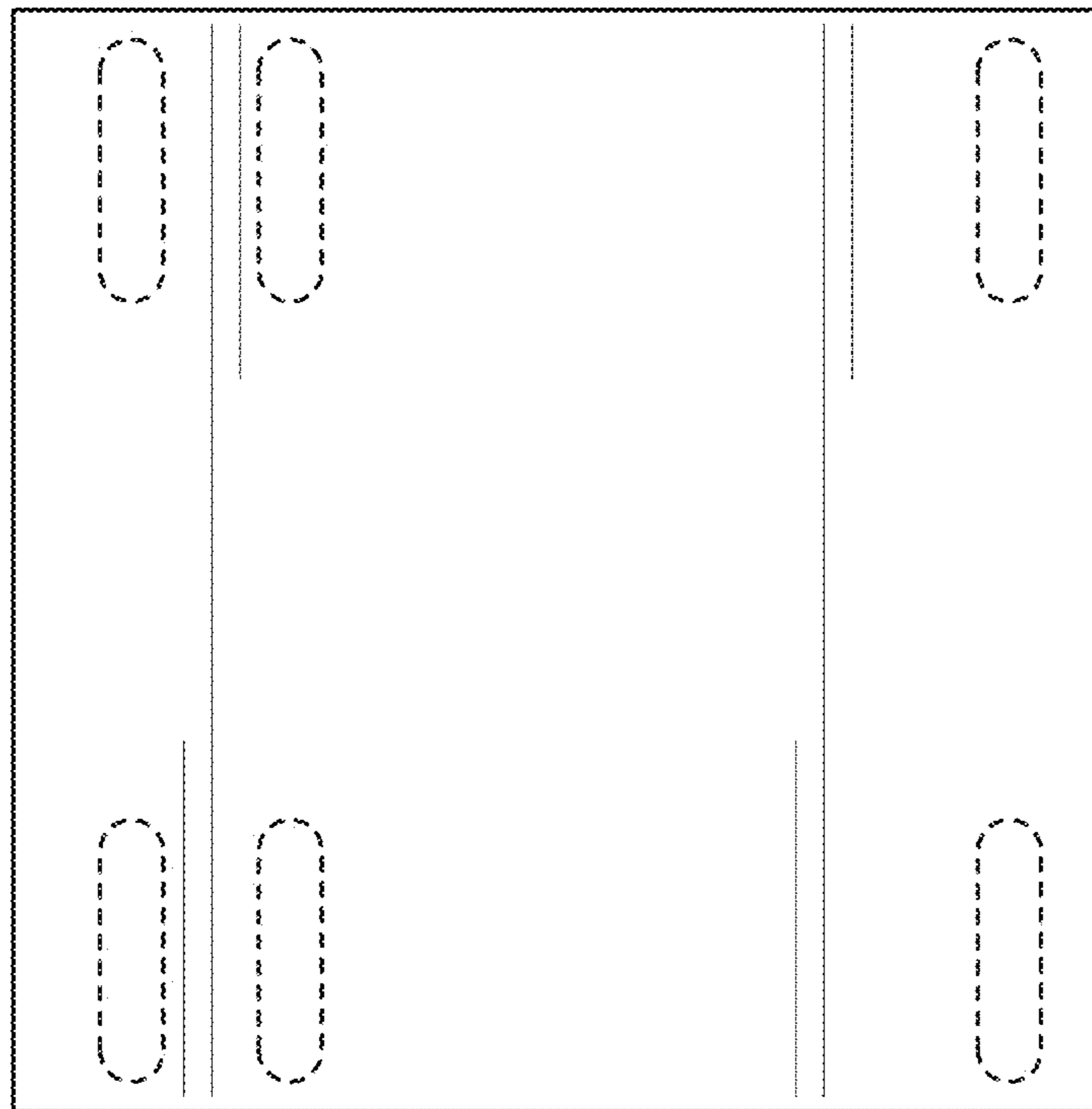


FIG. 2

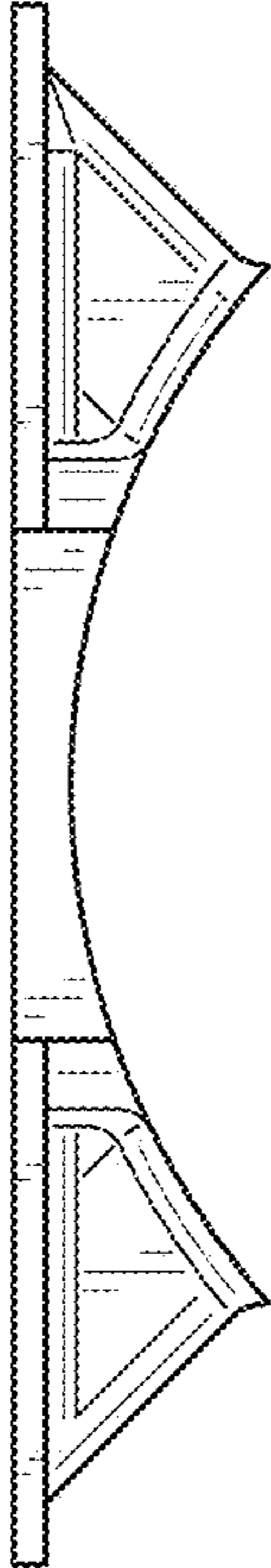


FIG. 3

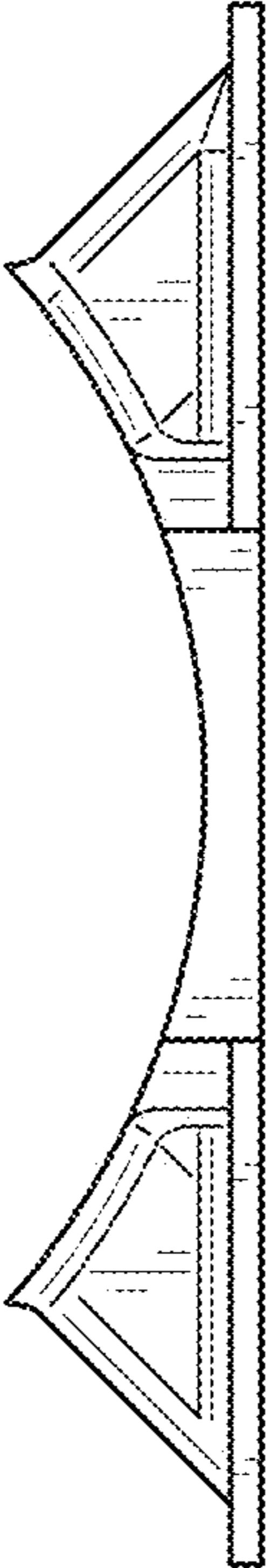


FIG. 4

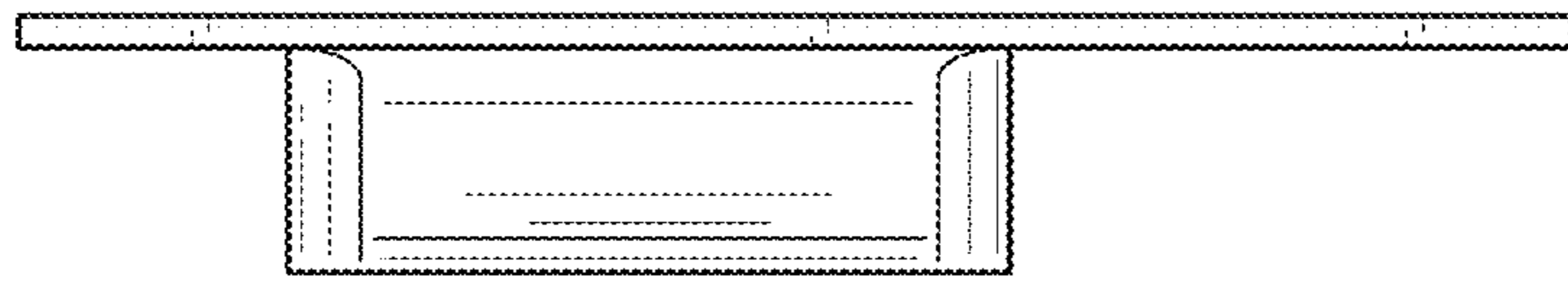


FIG. 5

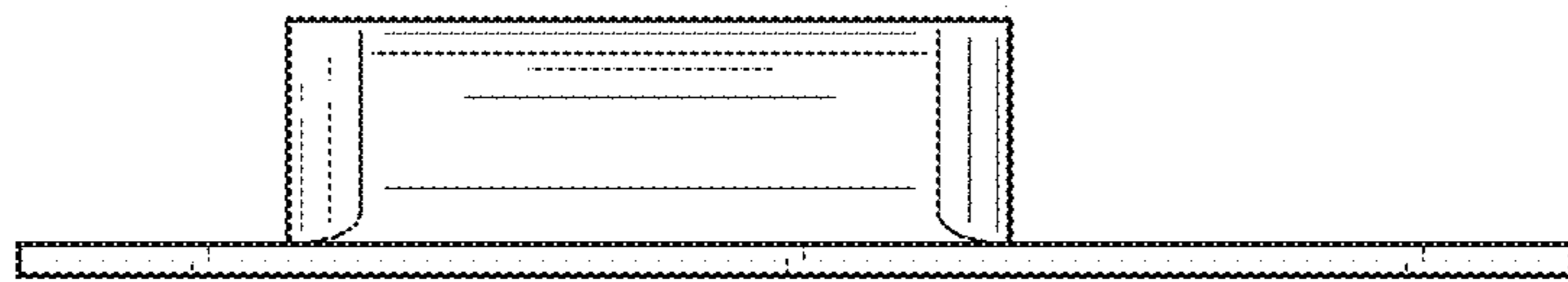


FIG. 6

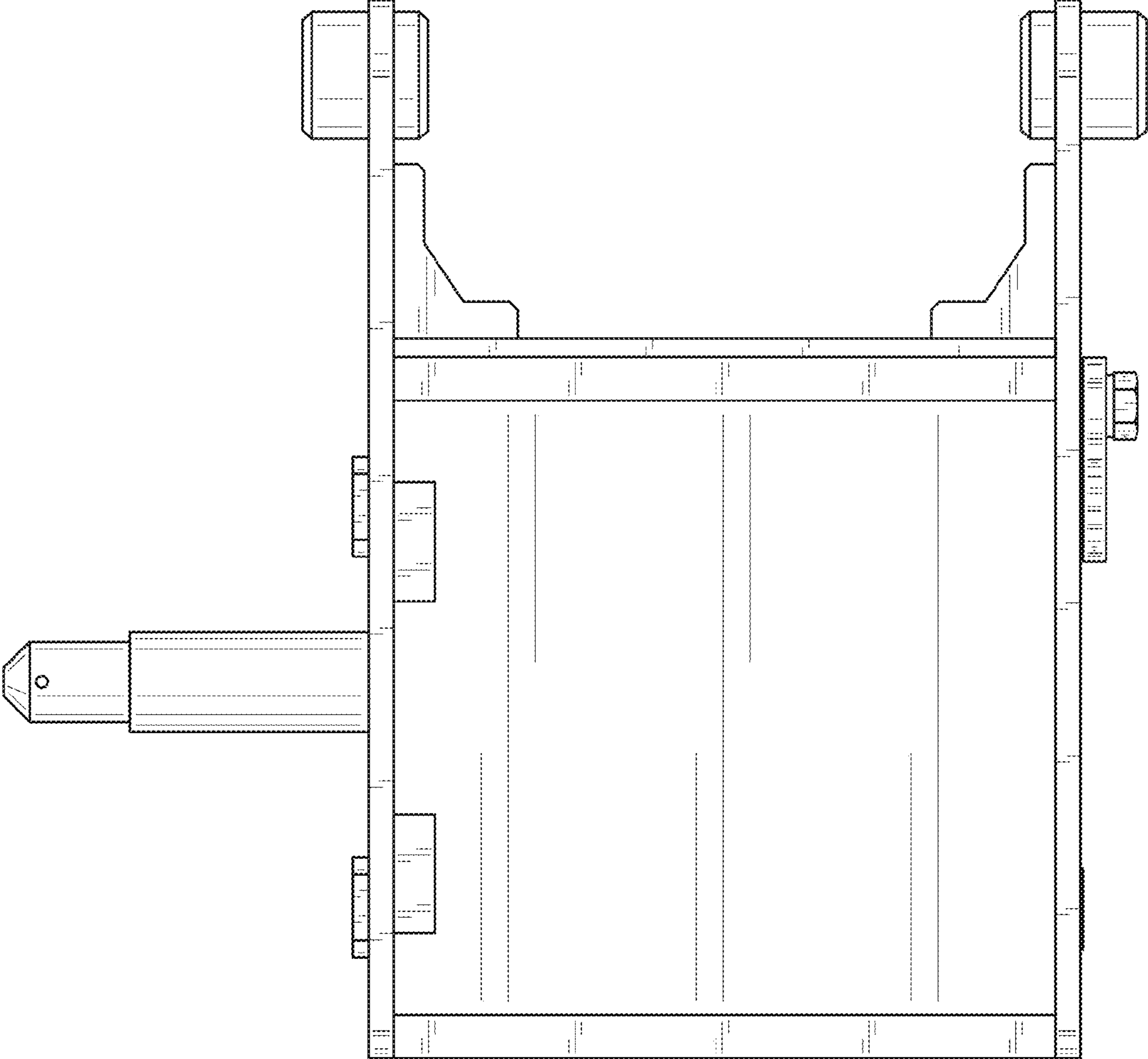


FIG. 7

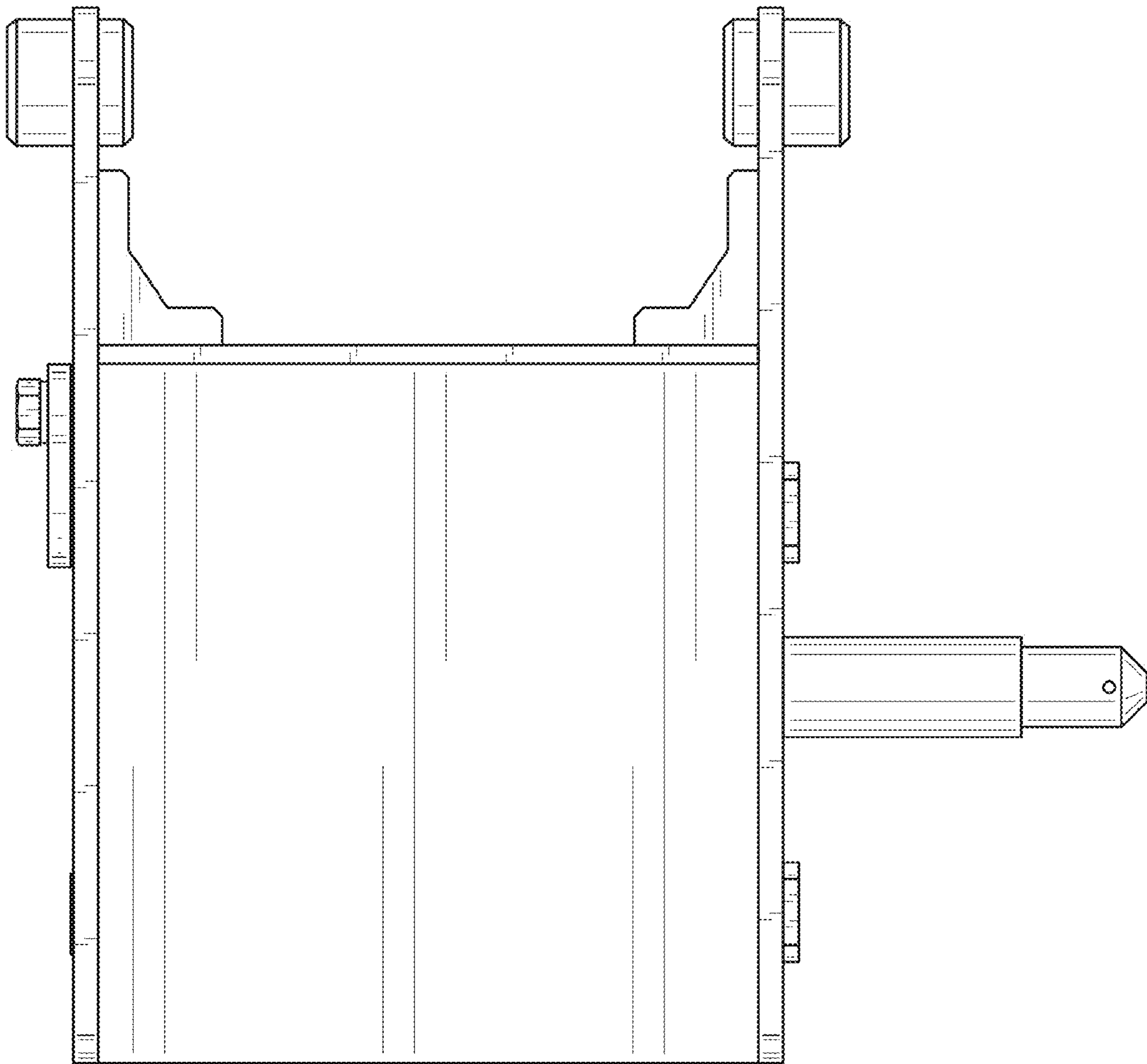


FIG. 8



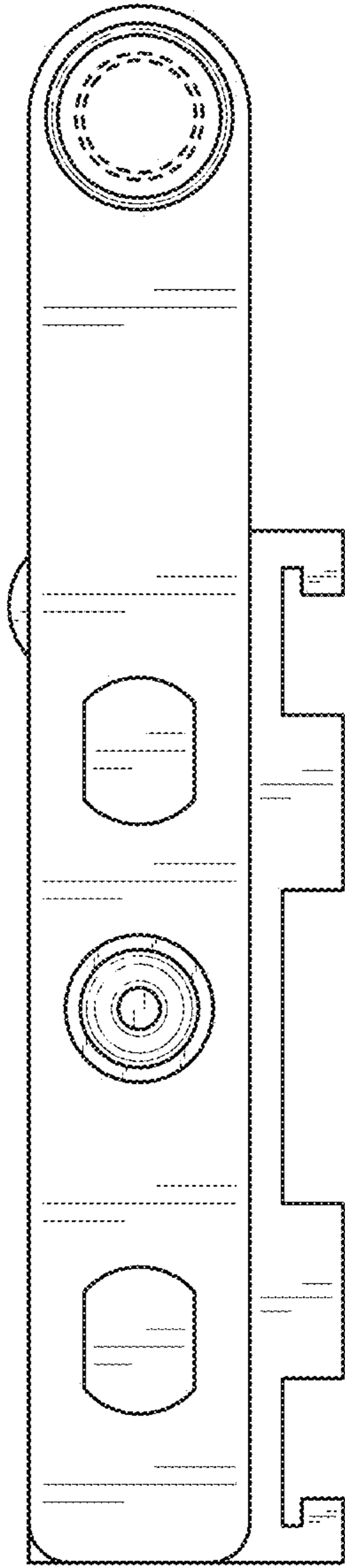


FIG. 9

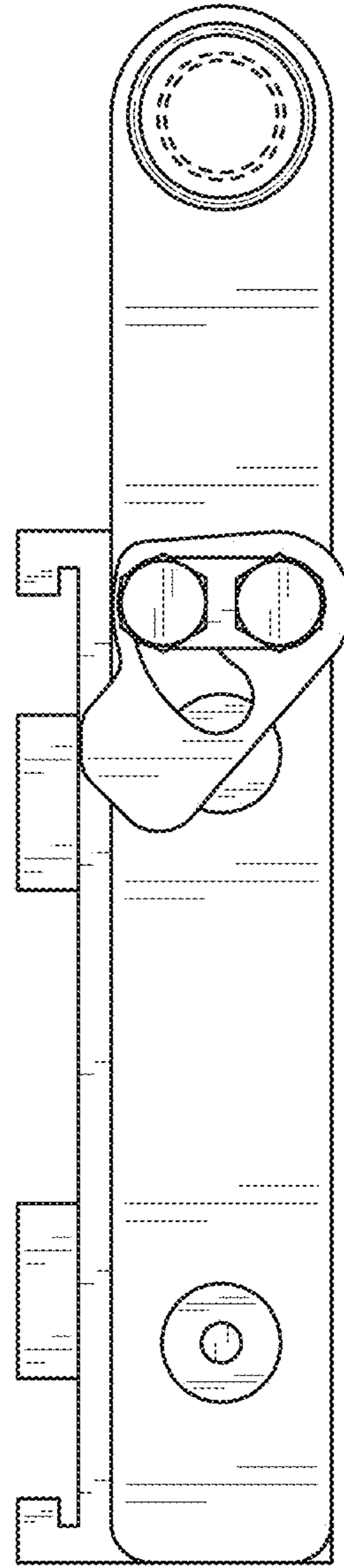


FIG. 10

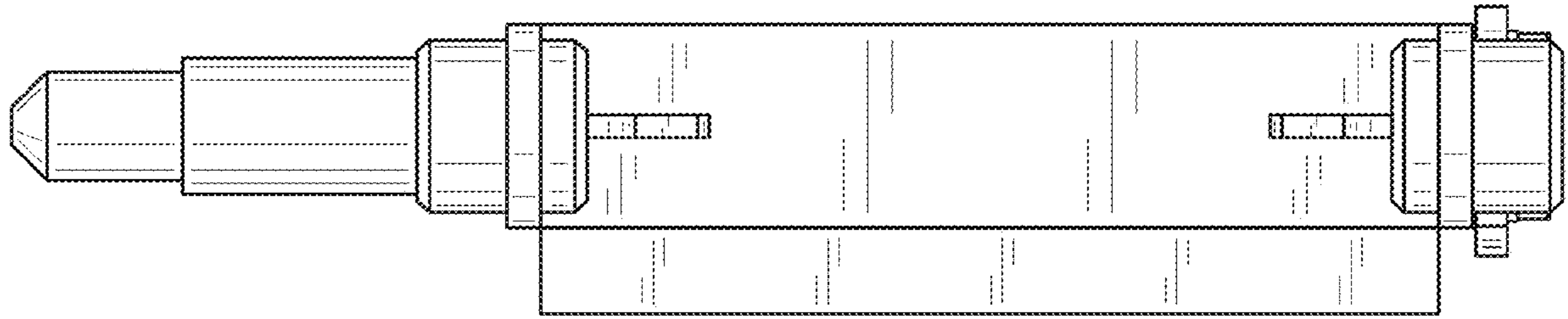


FIG. 11

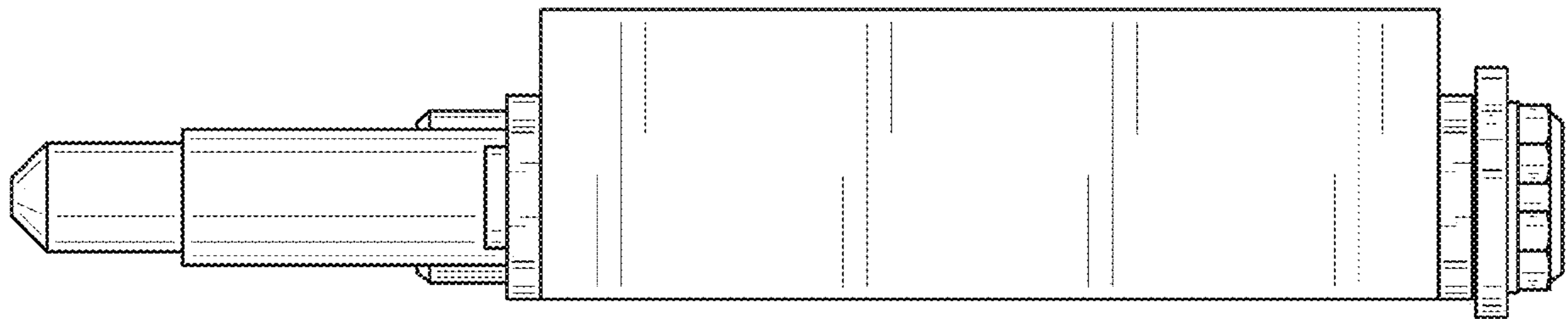


FIG. 12

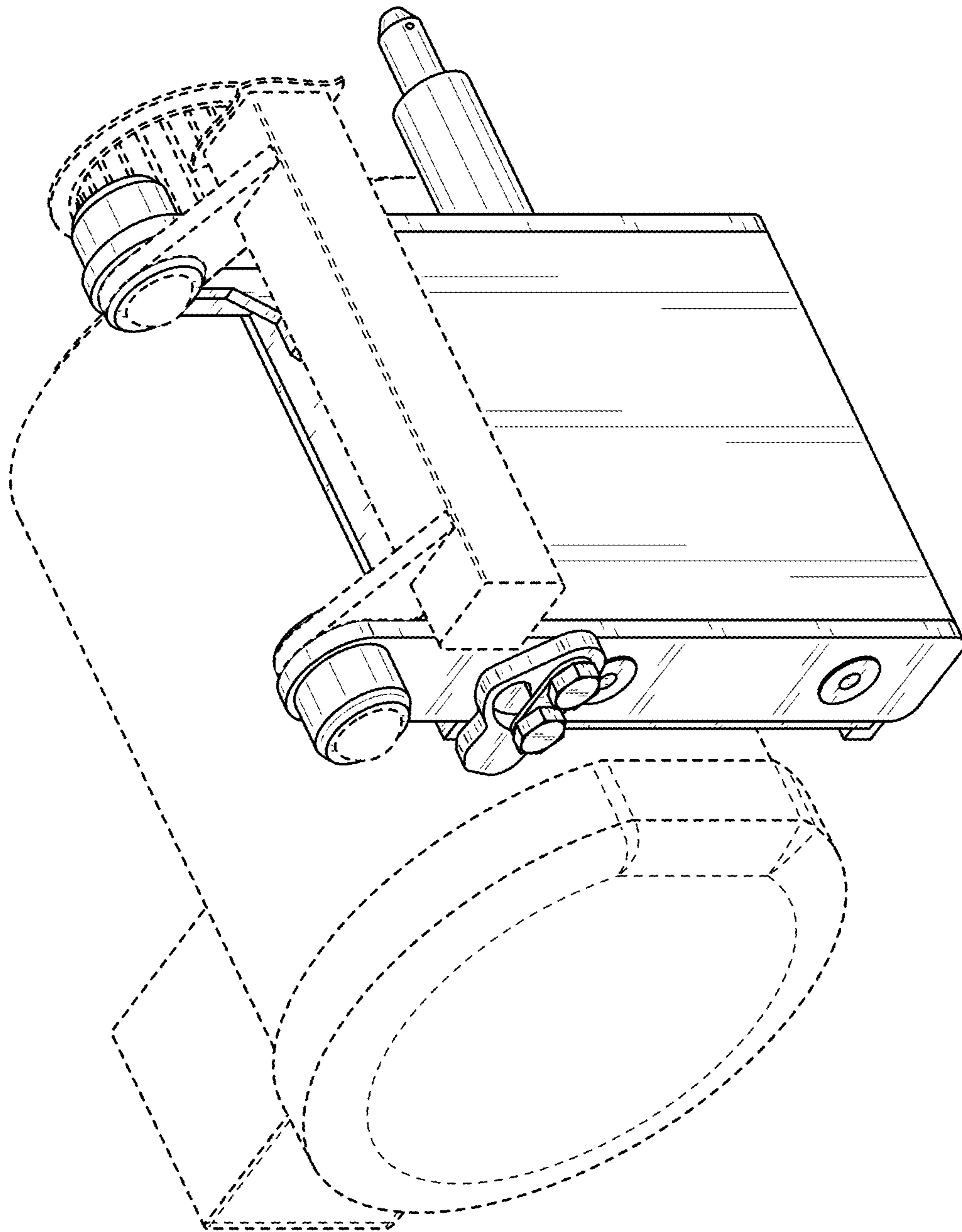


FIG. 13

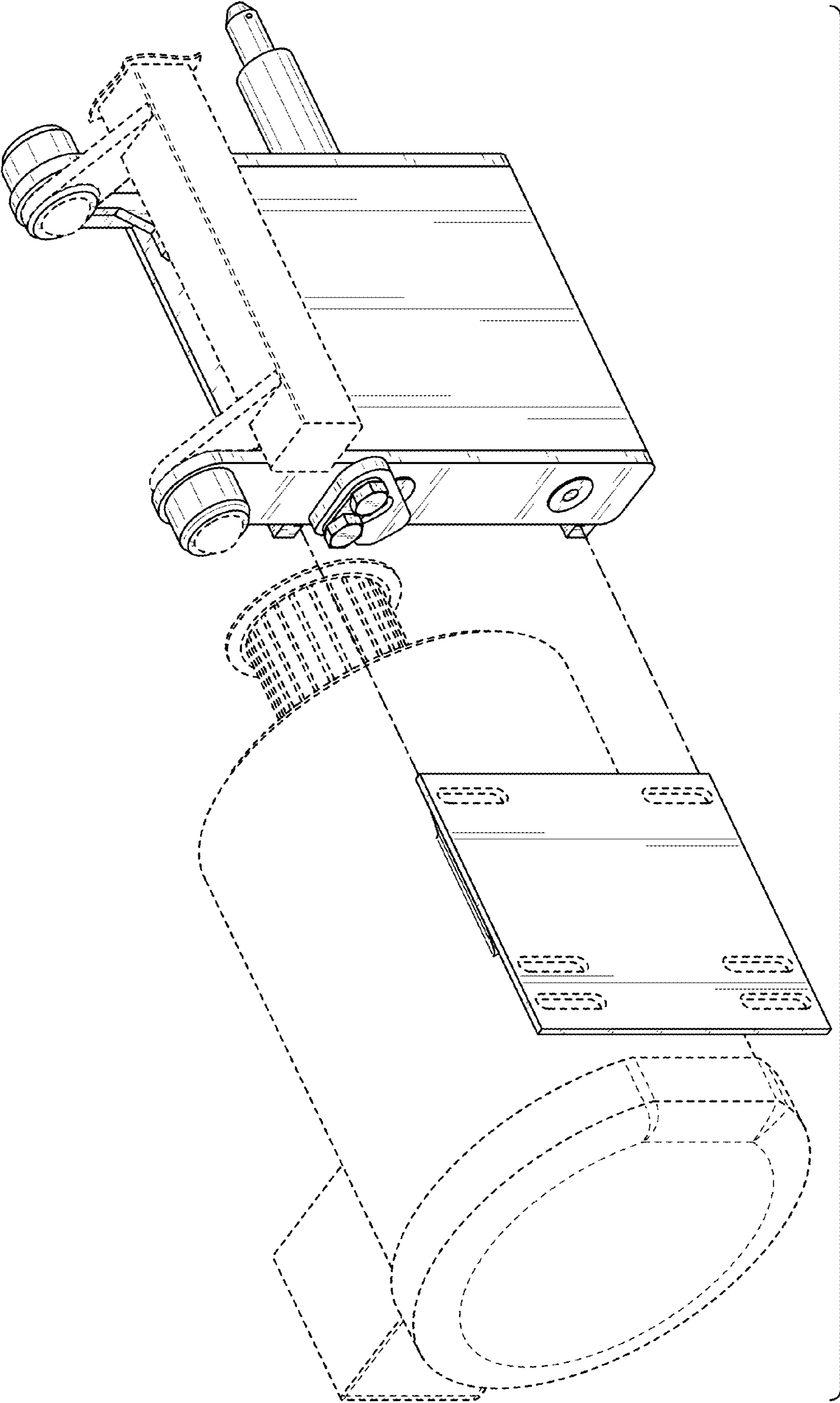


FIG. 14