



US00D887355S

(12) **United States Design Patent**  
**Chao et al.**

(10) **Patent No.:** **US D887,355 S**  
(45) **Date of Patent:** **\*\* Jun. 16, 2020**

(54) **INVERTER**

(71) Applicant: **DELTA ELECTRONICS, INC.**,  
Taoyuan OT (TW)

(72) Inventors: **Chun-Yi Chao**, Taoyuan (TW);  
**Yi-Heng Sun**, Taoyuan (TW);  
**Yung-Jen Cheng**, Taoyuan (TW)

(73) Assignee: **DELTA ELECTRONICS, INC.**,  
Taoyuan (TW)

(\*\*) Term: **15 Years**

(21) Appl. No.: **29/644,882**

(22) Filed: **Apr. 20, 2018**

(51) **LOC (12) Cl.** ..... **13-02**

(52) **U.S. Cl.**  
USPC ..... **D13/110**

(58) **Field of Classification Search**  
USPC ..... D13/110, 108, 118, 123, 162, 168, 169,  
D13/174, 177, 184, 199; D14/257, 432,  
D14/438  
CPC ..... B60L 15/00; B60L 15/007; B60L 50/51;  
B60K 17/04; H02K 5/06; H05K 5/00;  
H05K 5/02; H05K 5/0247; H05K 7/00;  
H05K 7/20; H05K 7/20136; H05K  
7/20154; H05K 7/209; H02M 7/00;  
H02M 7/003

See application file for complete search history.

(56) **References Cited**

**U.S. PATENT DOCUMENTS**

D667,784 S *	9/2012	Choi	.....	D13/102
D673,114 S *	12/2012	Schnakenberg, III	.....	D13/110
D684,533 S *	6/2013	Nakahira	.....	D13/110
D698,725 S *	2/2014	Shin	.....	D13/110
D703,136 S *	4/2014	Choi	.....	D13/110
D705,728 S *	5/2014	Choi	.....	D13/110
D706,215 S *	6/2014	Nakahira	.....	D13/110
D707,176 S *	6/2014	Choi	.....	D13/110

(Continued)

*Primary Examiner* — Susan Bennett Hattan

*Assistant Examiner* — Suzanne E Tisdell

(74) *Attorney, Agent, or Firm* — Kirton McConkie; Evan R. Witt

(57) **CLAIM**

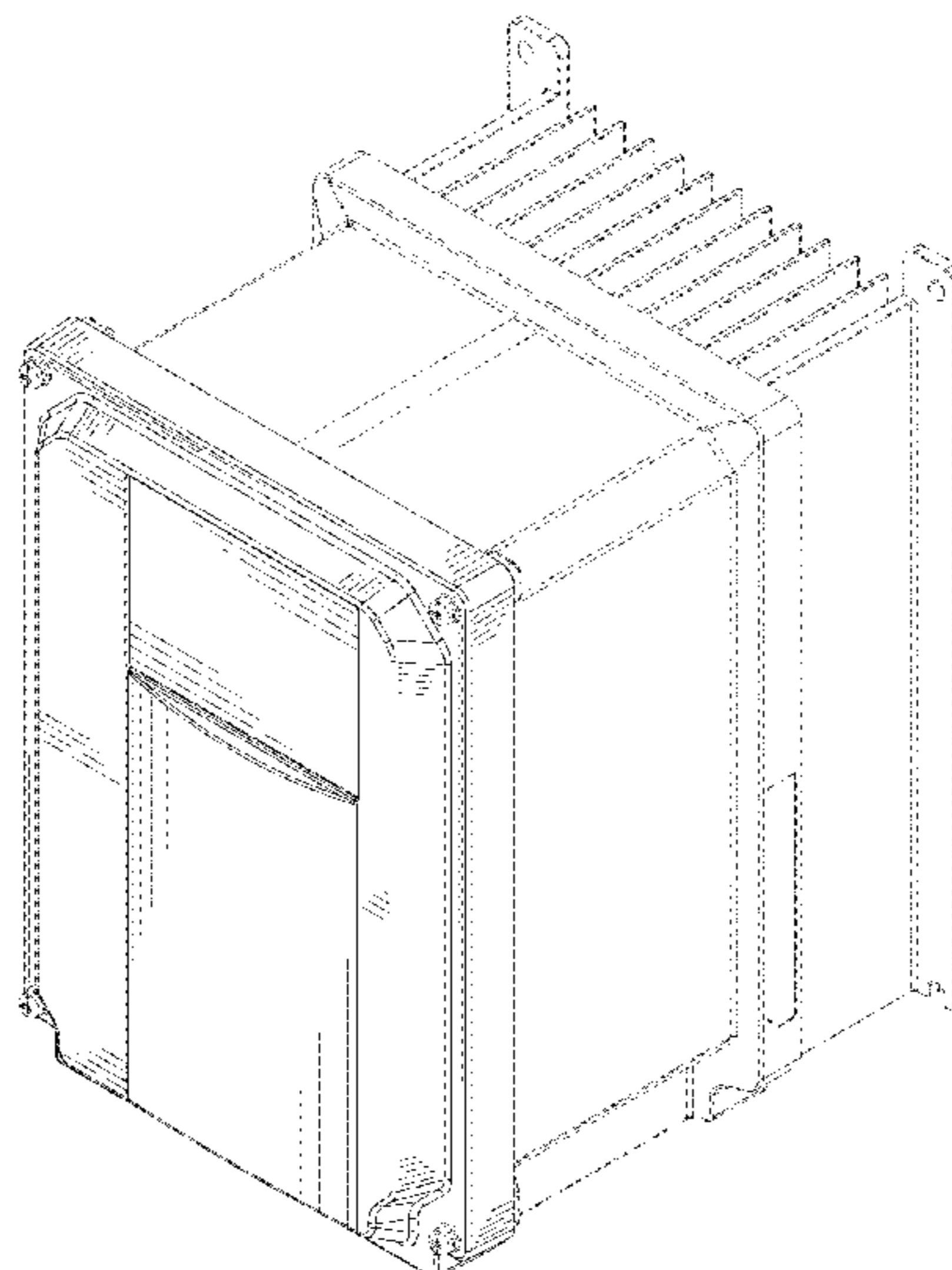
The ornamental design for an inverter, as shown and described.

**DESCRIPTION**

FIG. 1 is a perspective view of a first embodiment of an inverter showing our new design;  
 FIG. 2 is another perspective view thereof;  
 FIG. 3 is a front elevational view thereof;  
 FIG. 4 is a rear elevational view thereof;  
 FIG. 5 is a left side elevational view thereof;  
 FIG. 6 is a right side elevational view thereof;  
 FIG. 7 is a top plan view thereof;  
 FIG. 8 is a bottom plan view thereof;  
 FIG. 9 is a perspective view of a second embodiment of an inverter showing our new design;  
 FIG. 10 is another perspective view thereof;  
 FIG. 11 is a front elevational view thereof;  
 FIG. 12 is a rear elevational view thereof;  
 FIG. 13 is a left side elevational view thereof;  
 FIG. 14 is a right side elevational view thereof;  
 FIG. 15 is a top plan view thereof;  
 FIG. 16 is a bottom plan view thereof;  
 FIG. 17 is a perspective view of a third embodiment of an inverter showing our new design;  
 FIG. 18 is another perspective view thereof;  
 FIG. 19 is a front elevational view thereof;  
 FIG. 20 is a rear elevational view thereof;  
 FIG. 21 is a left side elevational view thereof;  
 FIG. 22 is a right side elevational view thereof;  
 FIG. 23 is a top plan view thereof; and,  
 FIG. 24 is a bottom plan view thereof.

The broken lines included in the drawings depict portions of the inverter that form no part of the claimed design.

**1 Claim, 24 Drawing Sheets**



(56)

## References Cited

## U.S. PATENT DOCUMENTS

D709,449 S \* 7/2014 Oba ..... D13/110  
8,848,370 B2 \* 9/2014 Shin ..... H02M 7/003  
165/104.33  
8,854,816 B2 \* 10/2014 Shintani ..... H05K 7/20909  
361/678  
D716,728 S \* 11/2014 Oyadomari ..... D13/110  
8,882,479 B2 \* 11/2014 Asai ..... F04B 35/04  
417/423.14  
D728,474 S \* 5/2015 Orlando ..... D13/110  
D739,352 S \* 9/2015 Benn ..... D13/123  
D745,847 S \* 12/2015 Ho ..... D13/110  
9,203,217 B2 \* 12/2015 Takano ..... H05K 7/1432  
9,241,428 B1 \* 1/2016 Doo ..... H05K 7/20927  
9,318,935 B2 \* 4/2016 Nakagami ..... H02K 11/044  
D756,921 S \* 5/2016 Benn ..... D13/110  
D773,393 S \* 12/2016 Simoni ..... D13/110  
9,599,109 B2 \* 3/2017 Yakushiji ..... F04B 39/06  
D789,887 S \* 6/2017 Zeng ..... D13/110  
D798,809 S \* 10/2017 Benn ..... D13/110  
D798,810 S \* 10/2017 Benn ..... D13/110  
9,795,066 B2 \* 10/2017 Dong ..... H02M 7/003  
D803,780 S \* 11/2017 Gudgel ..... D13/110  
9,812,919 B2 \* 11/2017 Arashi ..... H02K 5/225  
D813,810 S \* 3/2018 McCool ..... D13/110  
D817,273 S \* 5/2018 Kato ..... D13/110  
D817,275 S \* 5/2018 Yeh ..... D13/110  
9,961,758 B1 \* 5/2018 Pickering ..... H05K 1/0206  
D831,569 S \* 10/2018 Simoni ..... D13/110  
10,110,141 B2 \* 10/2018 Bethke ..... H05K 7/20909  
D852,740 S \* 7/2019 Aitzetmueller ..... D13/110  
D856,927 S \* 8/2019 Eppinger ..... D13/110  
10,388,589 B2 \* 8/2019 Kawase ..... H01L 25/072  
10,464,439 B2 \* 11/2019 Liu ..... H02K 5/06  
10,477,733 B1 \* 11/2019 Skalski ..... H01G 2/08

\* cited by examiner

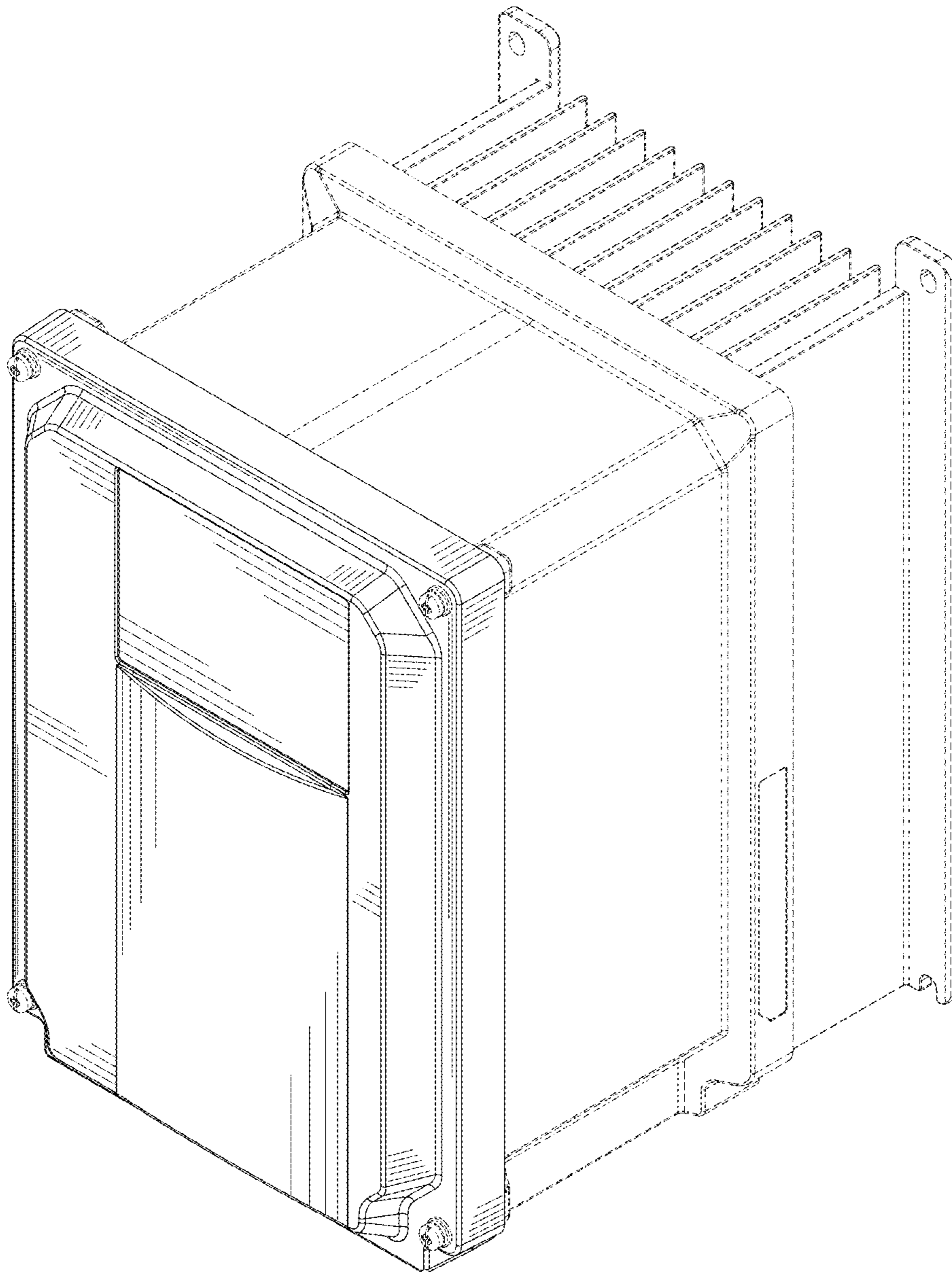


FIG. 1

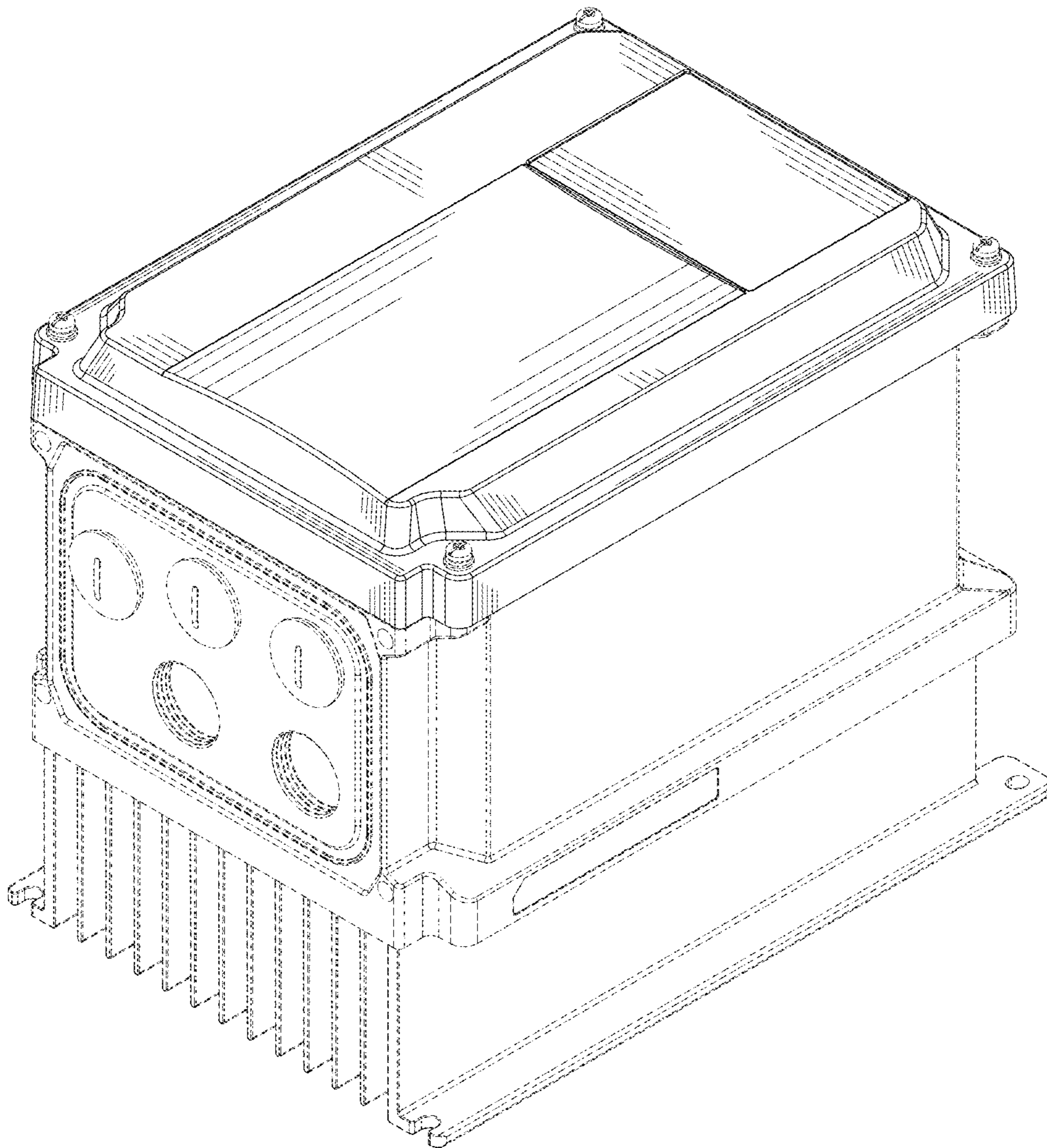


FIG. 2

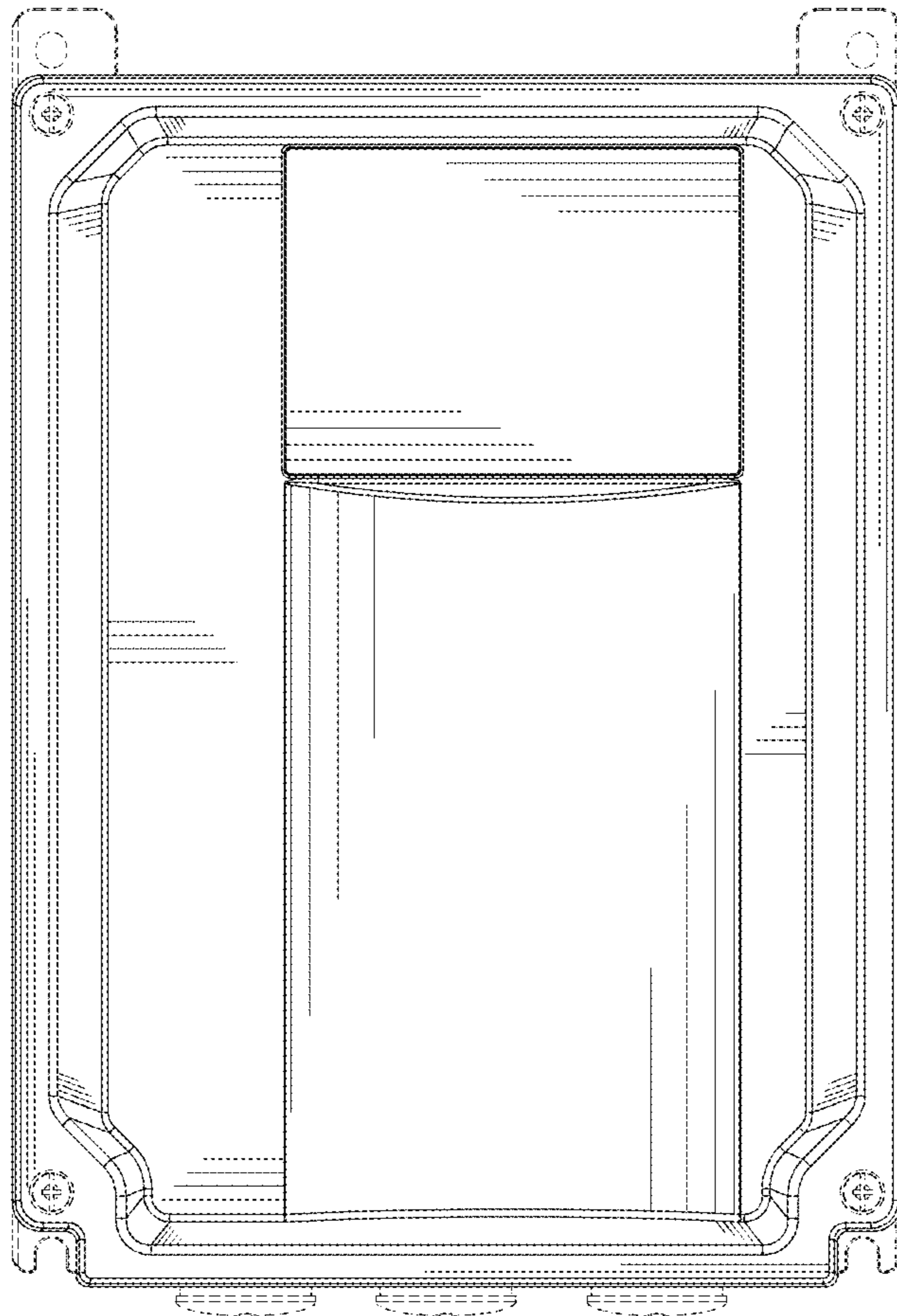


FIG. 3

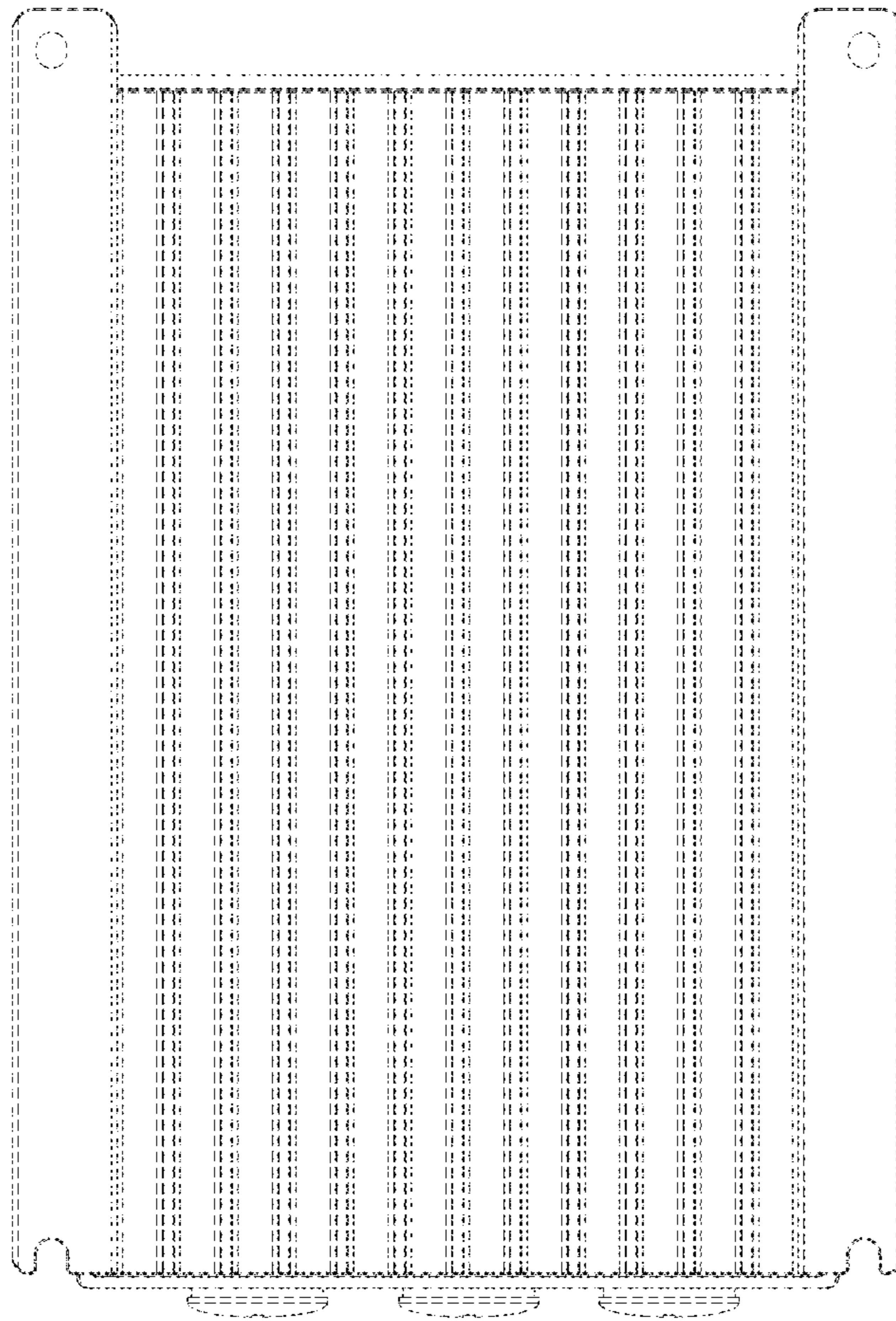


FIG. 4

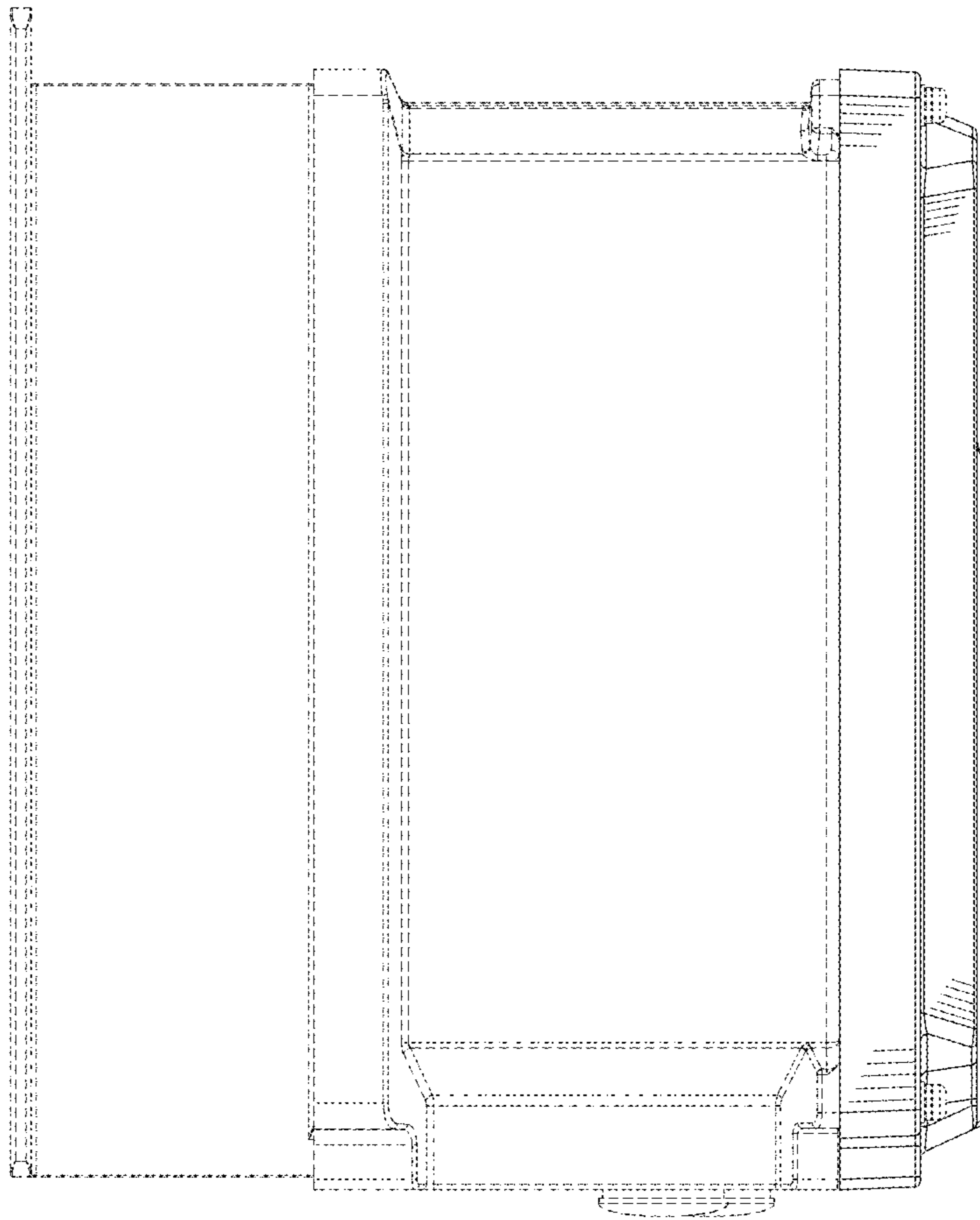


FIG. 5

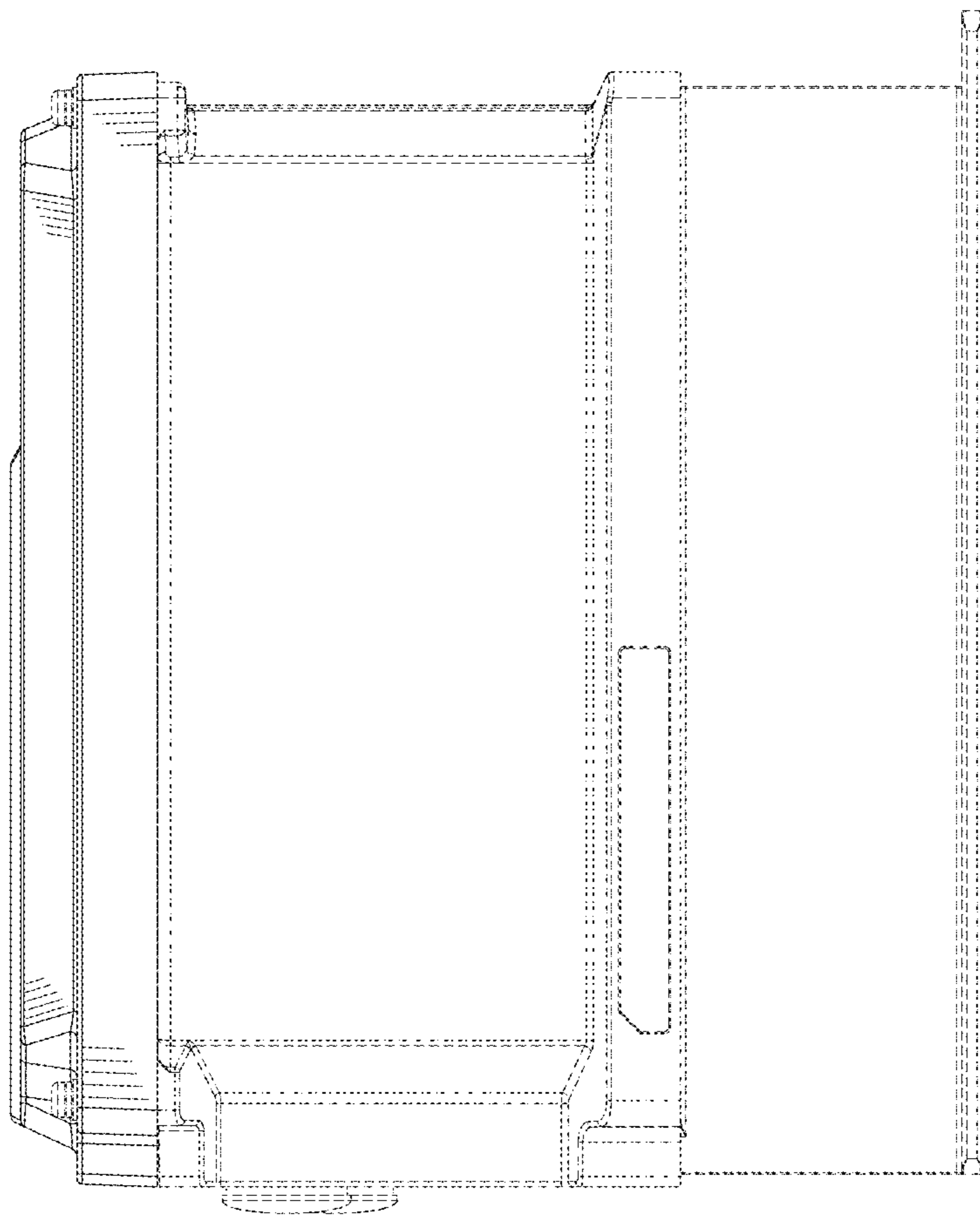


FIG. 6



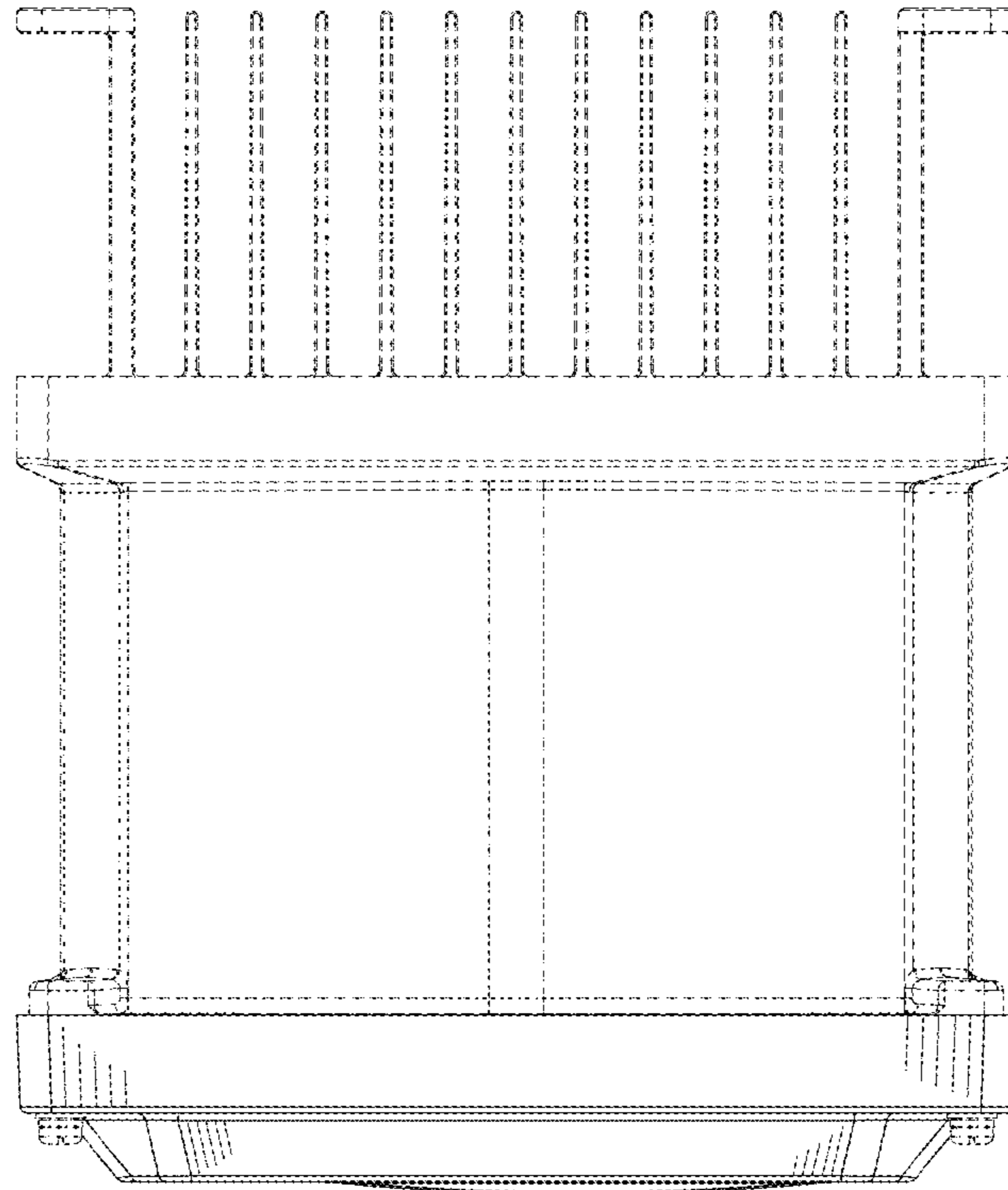


FIG. 7

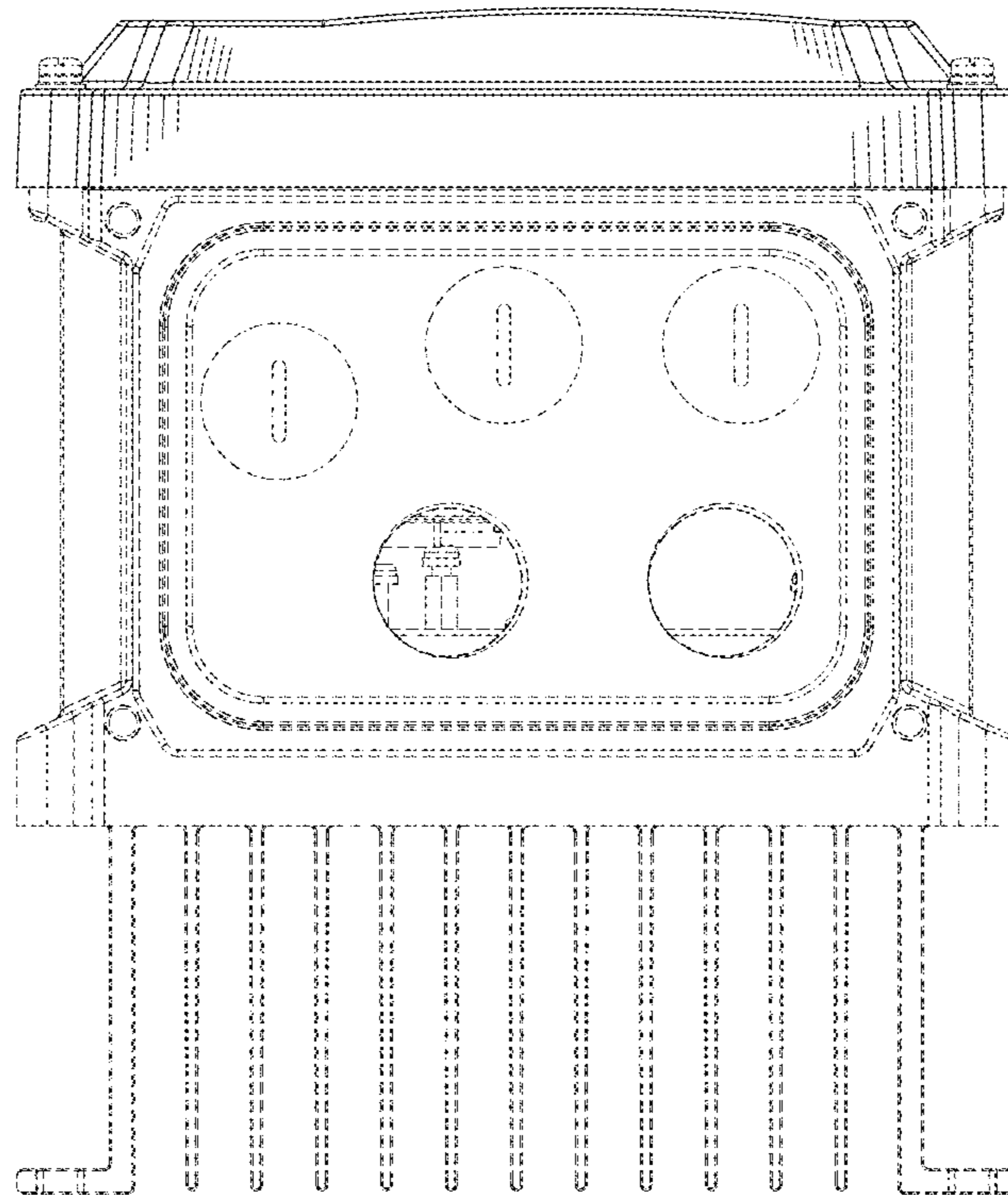


FIG. 8

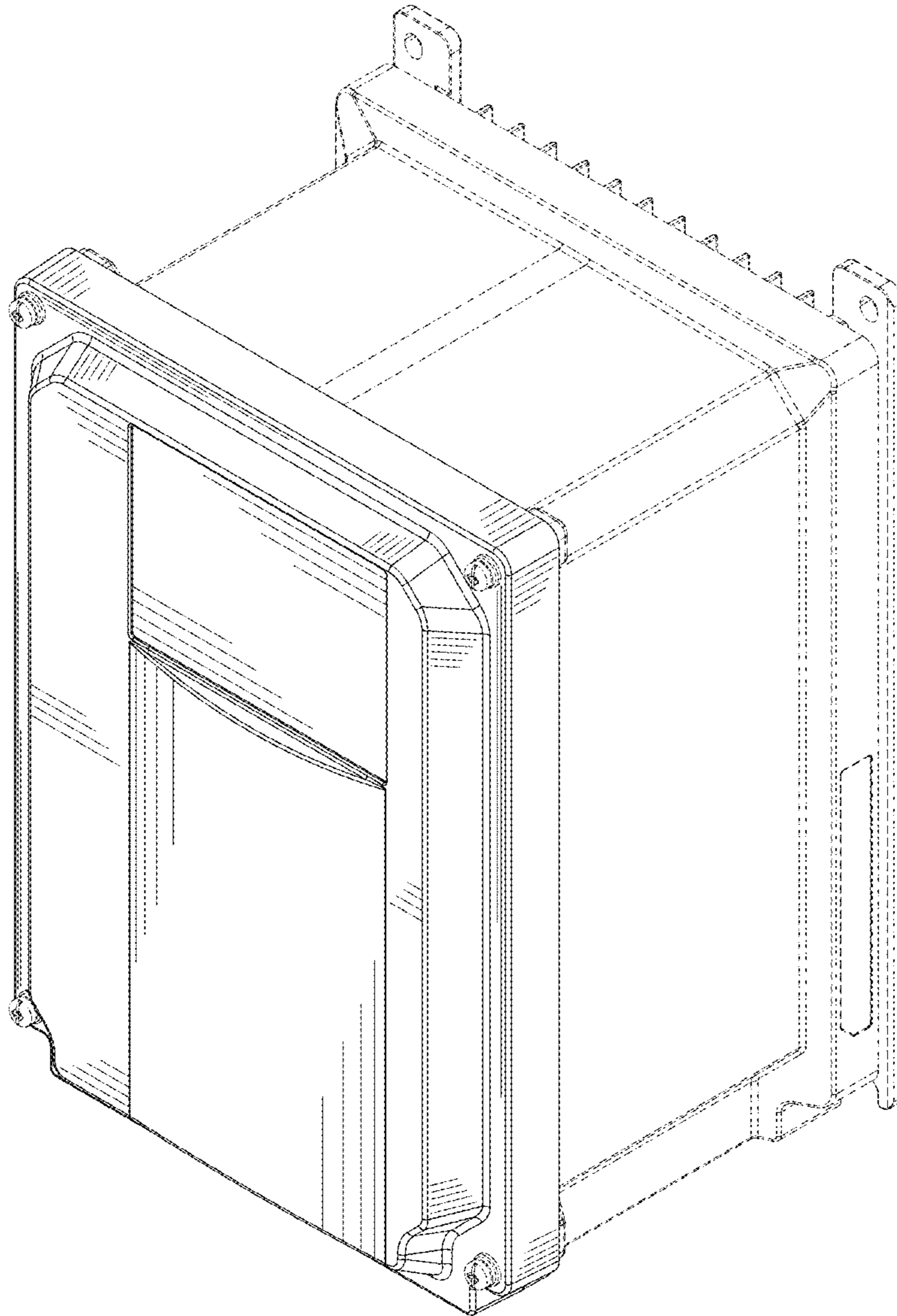


FIG. 9

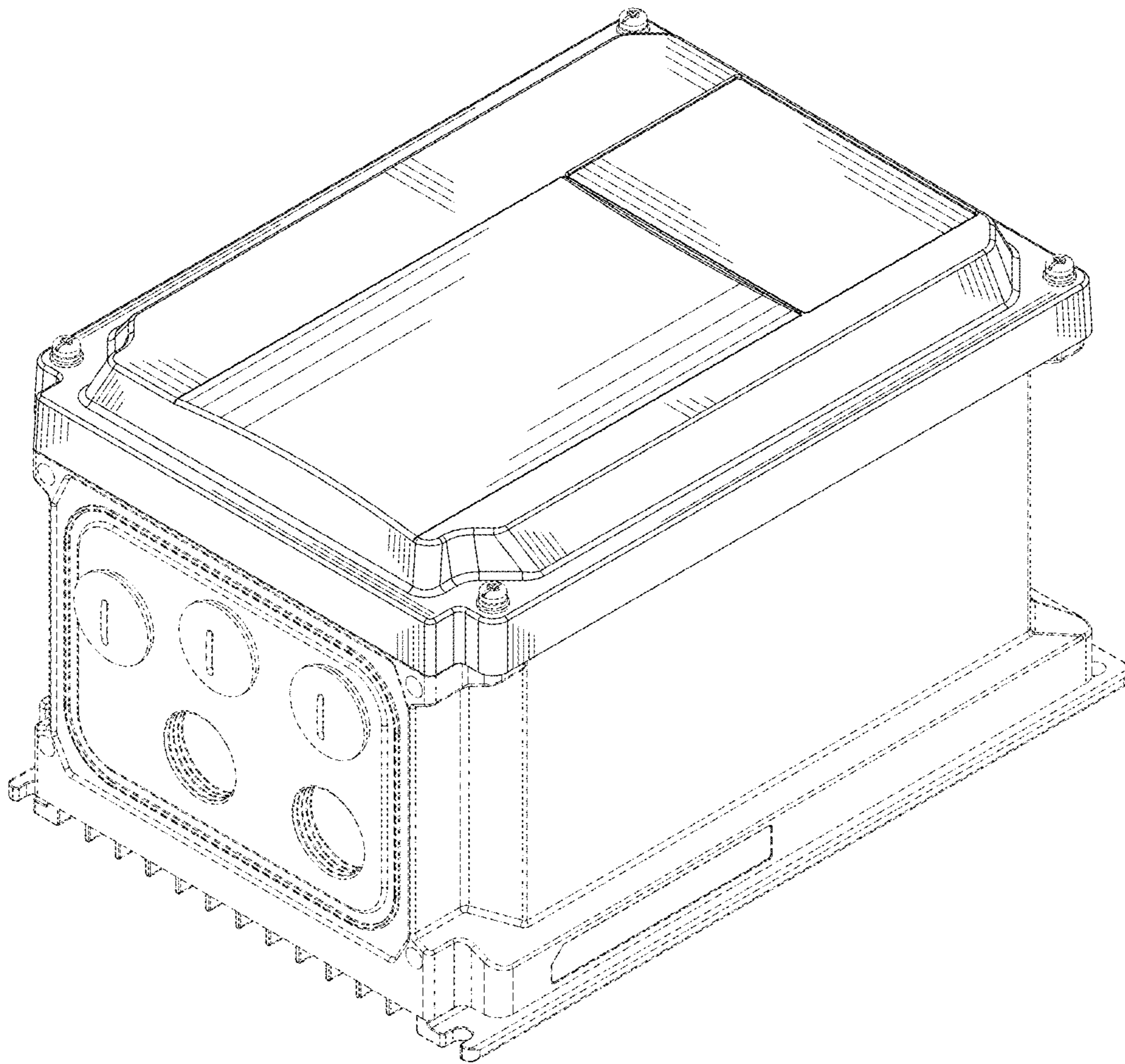


FIG. 10

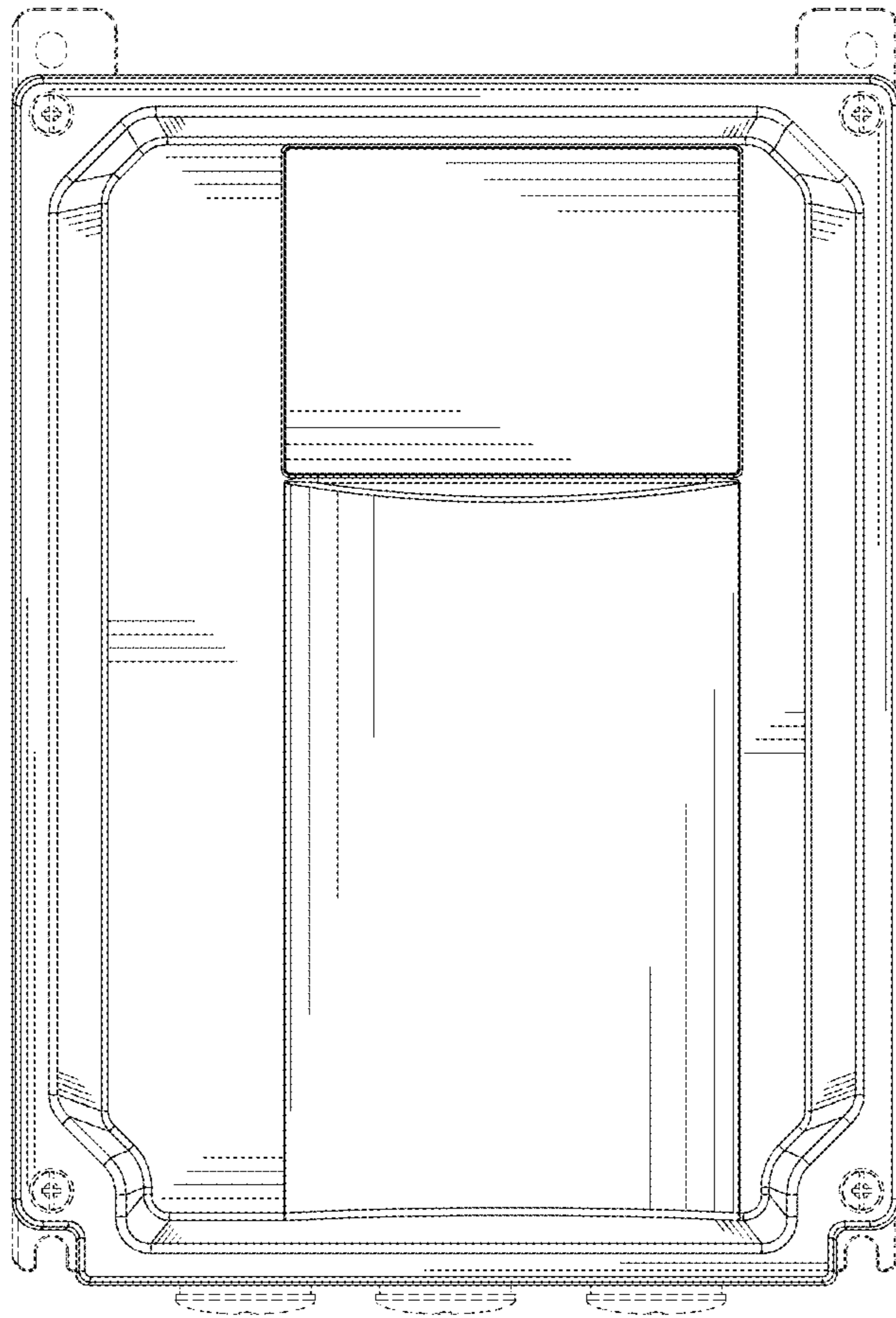


FIG. 11

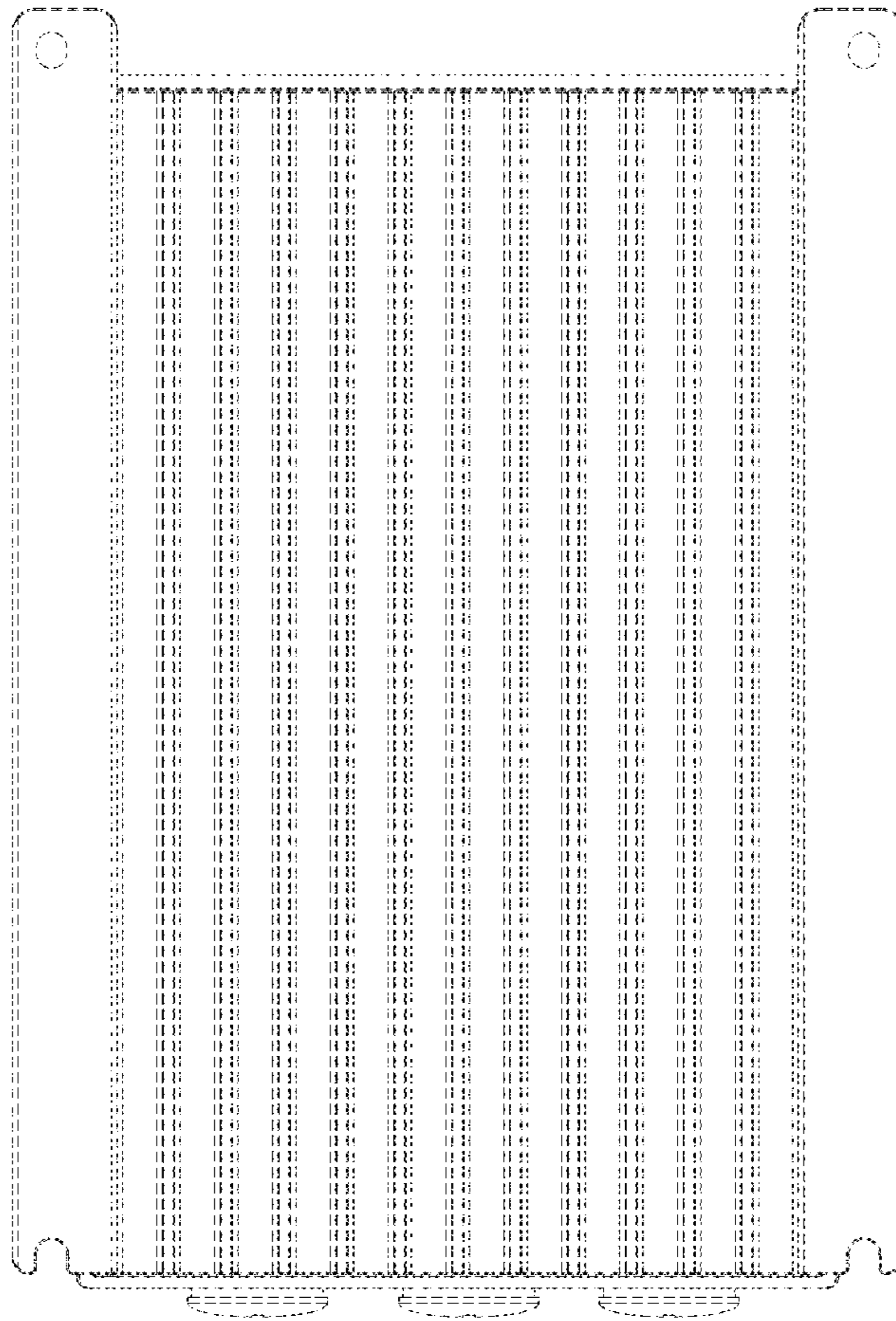


FIG. 12

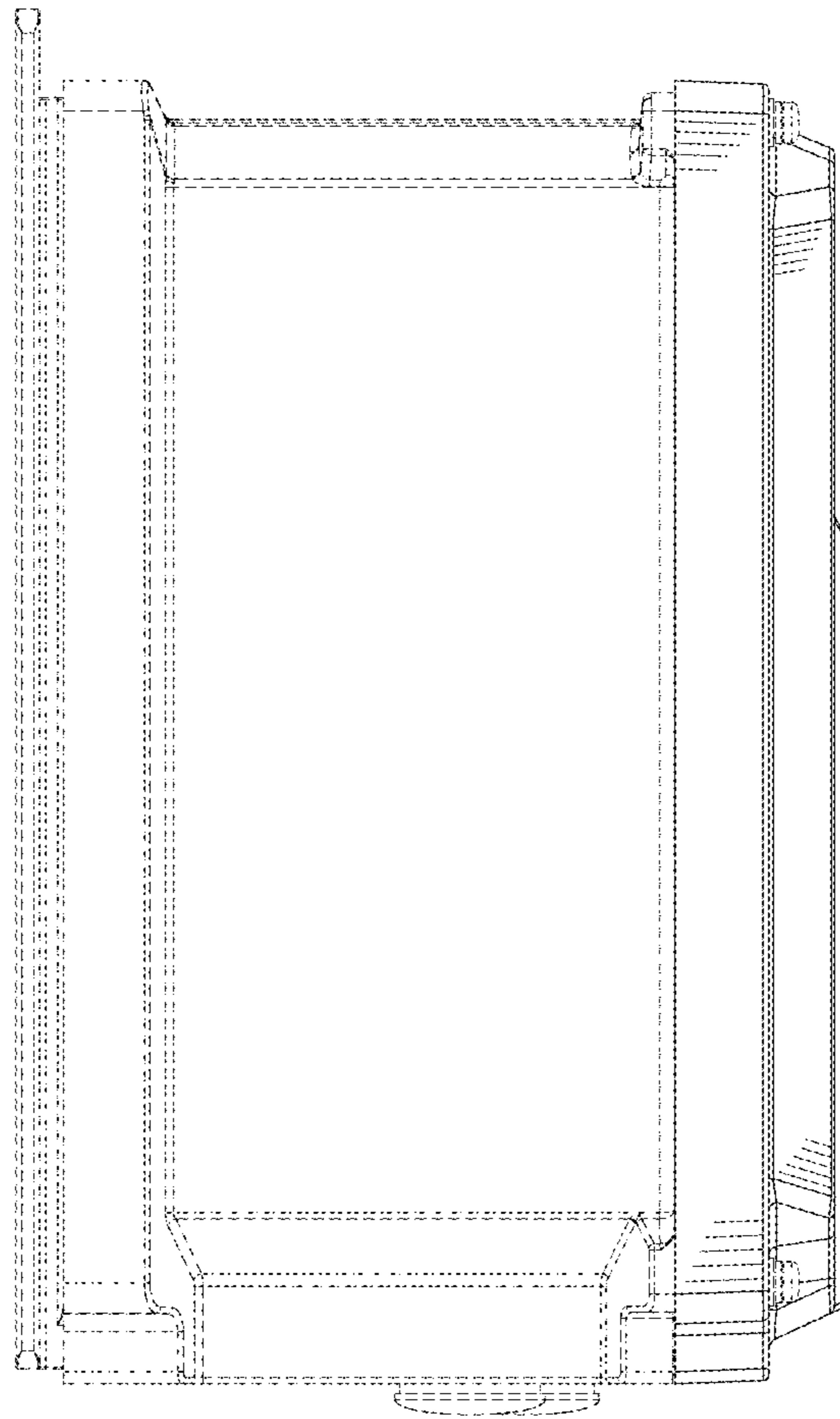


FIG. 13

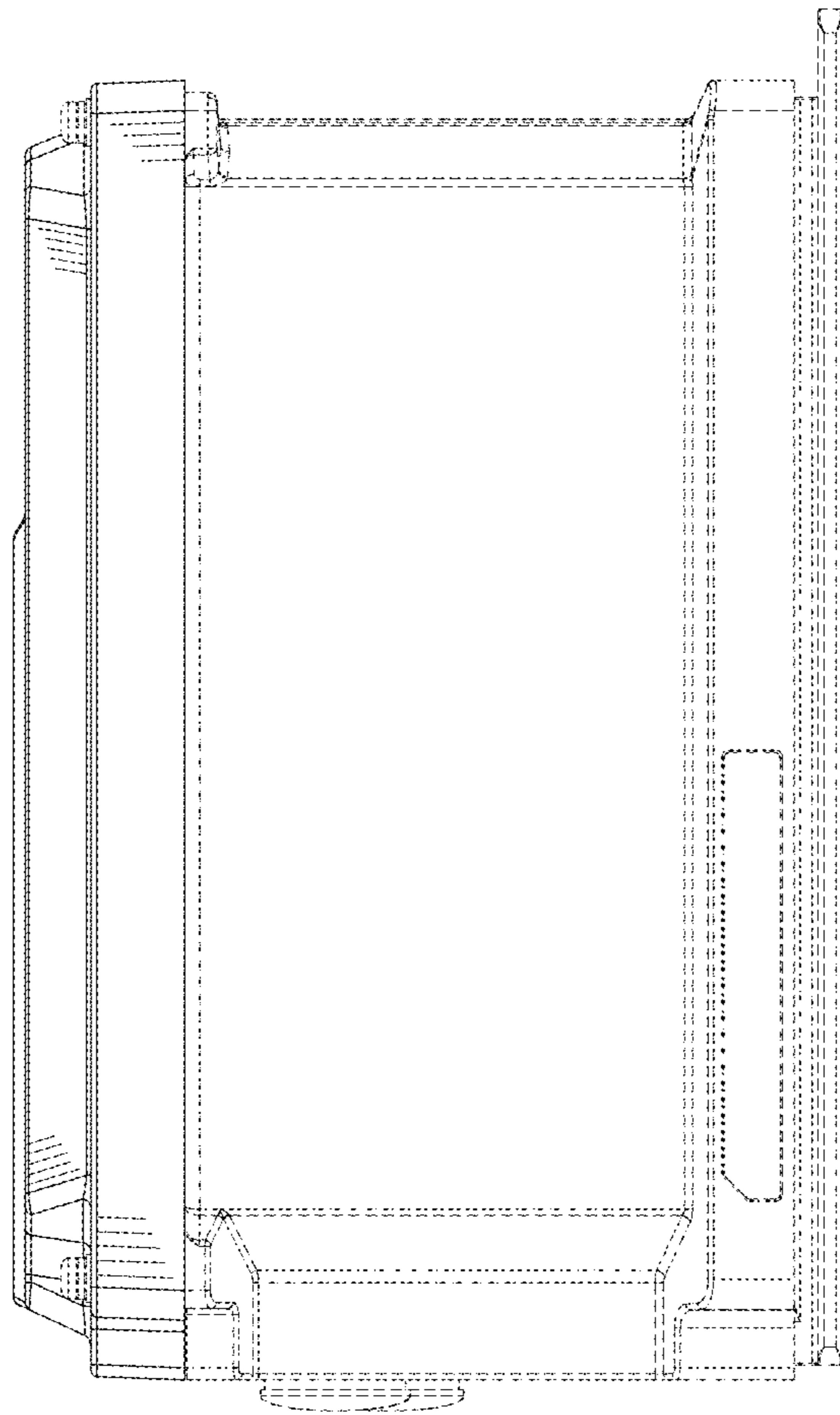


FIG. 14



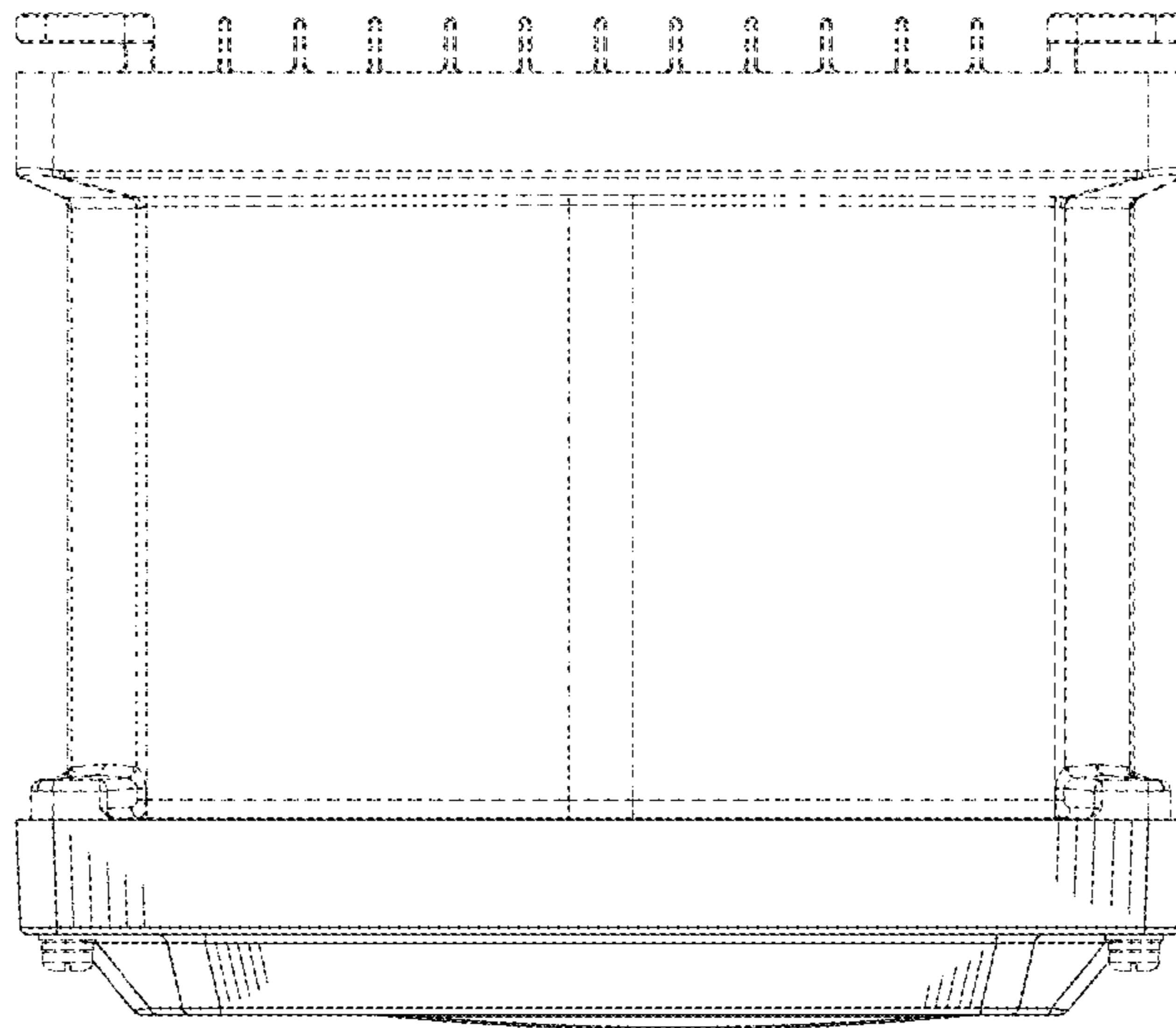


FIG. 15

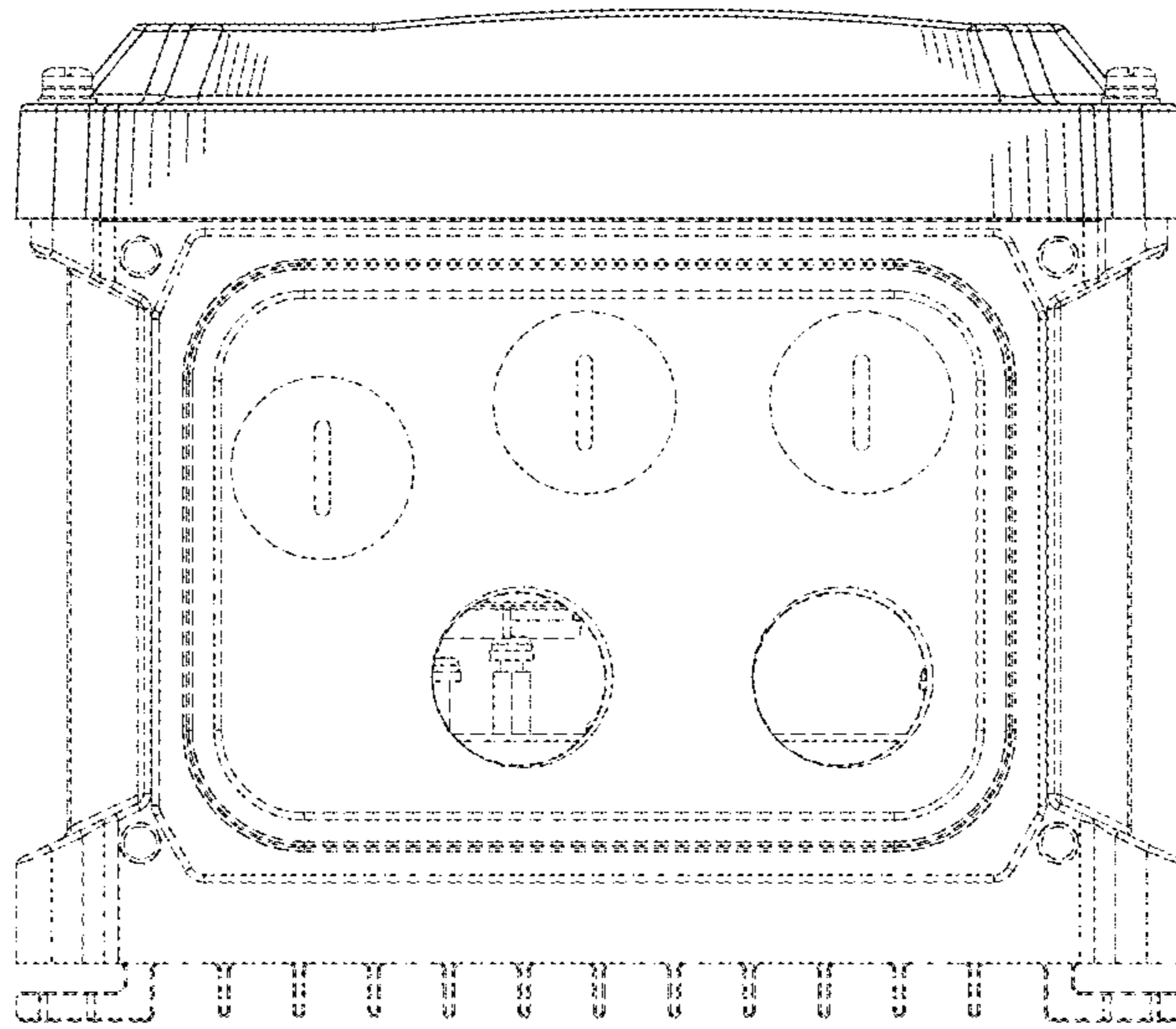


FIG. 16

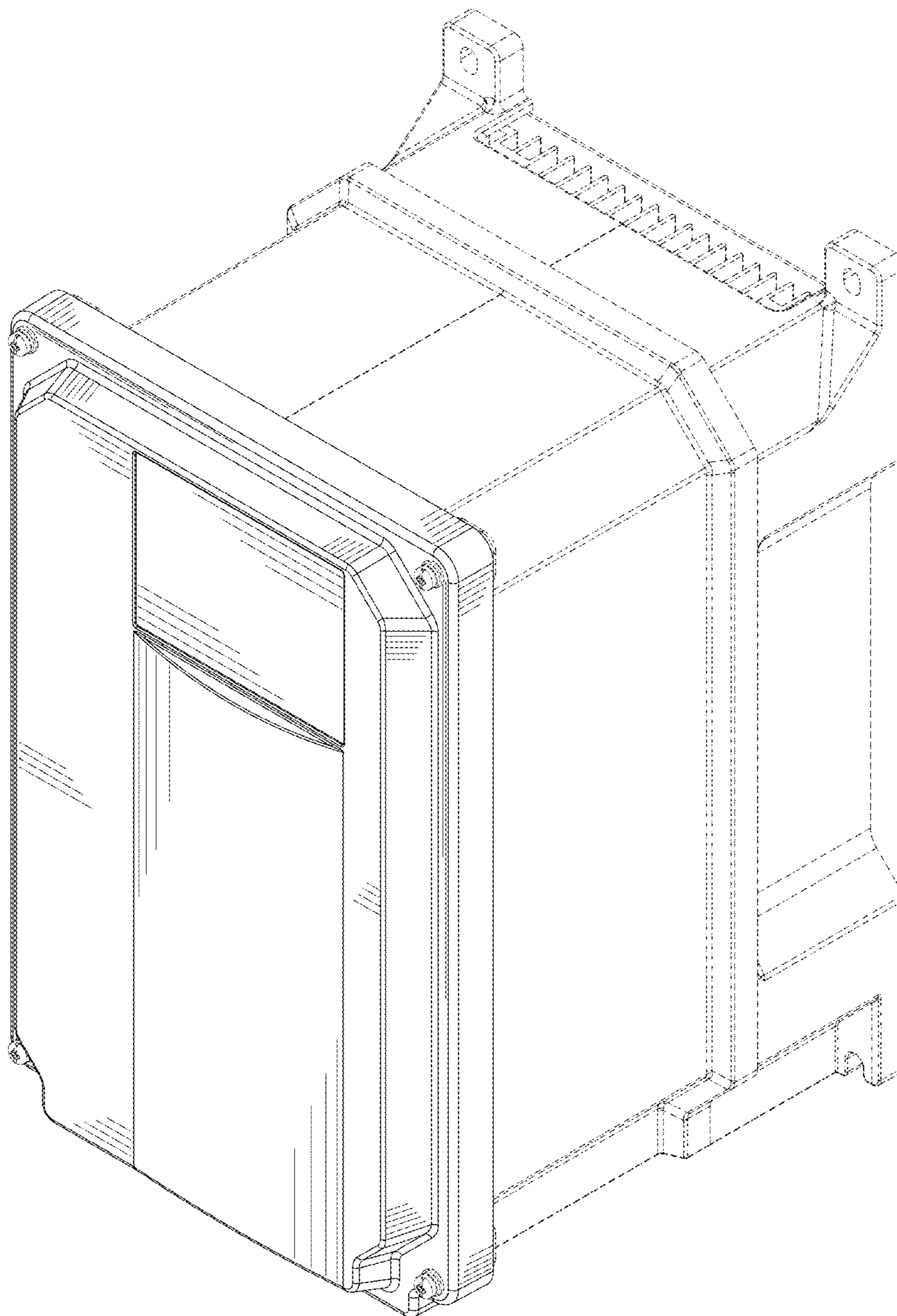


FIG. 17

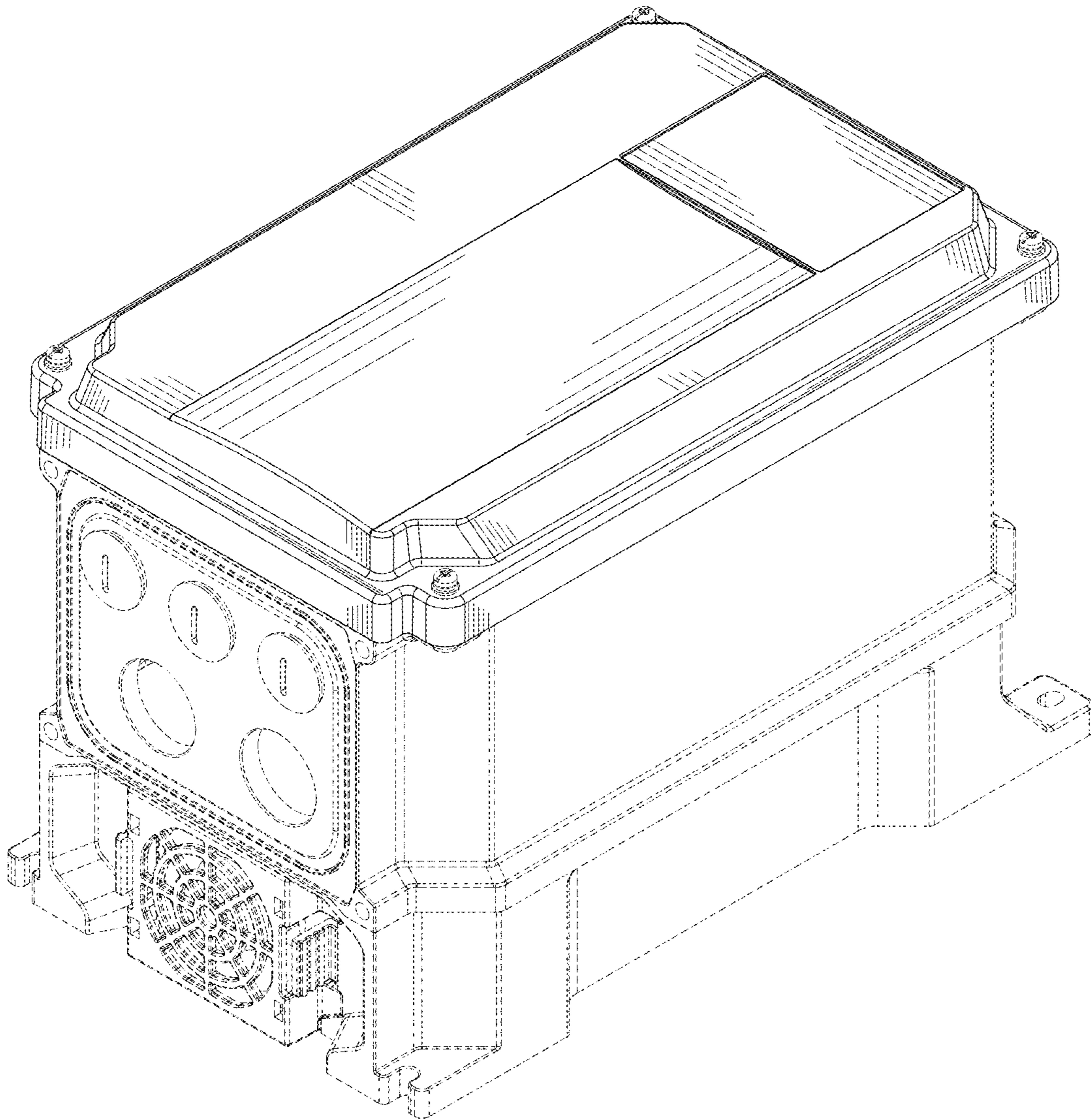


FIG. 18

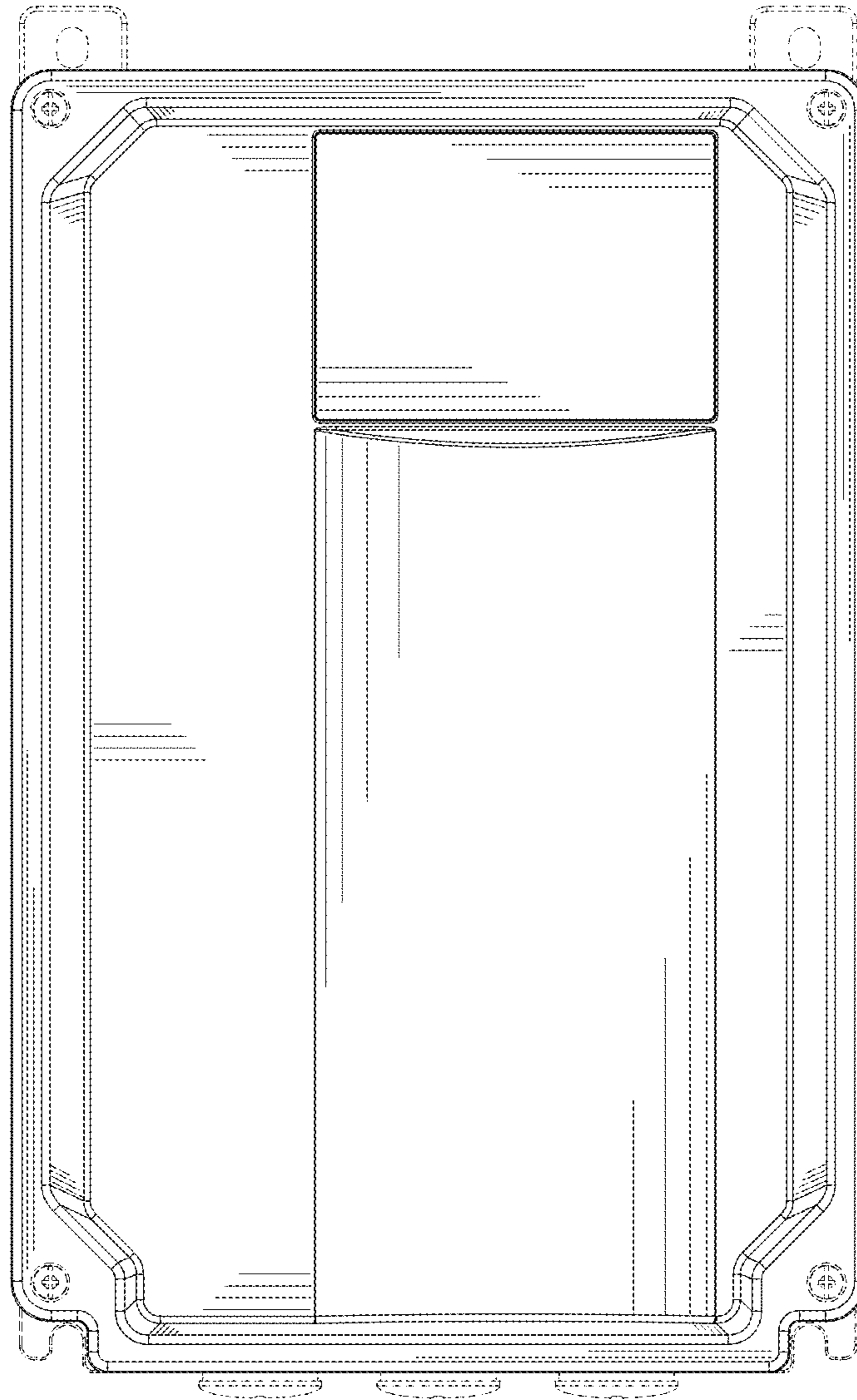


FIG. 19

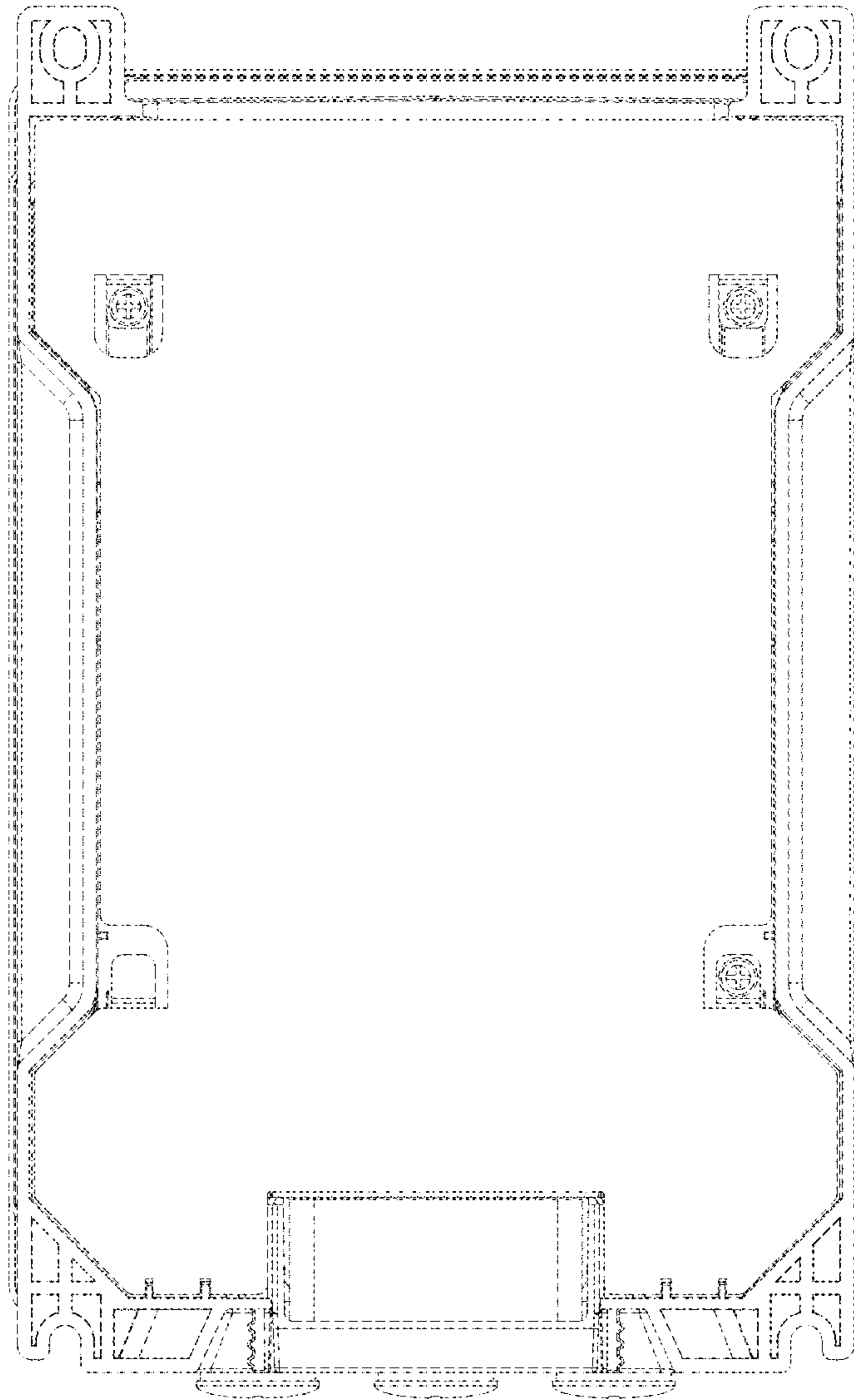


FIG. 20

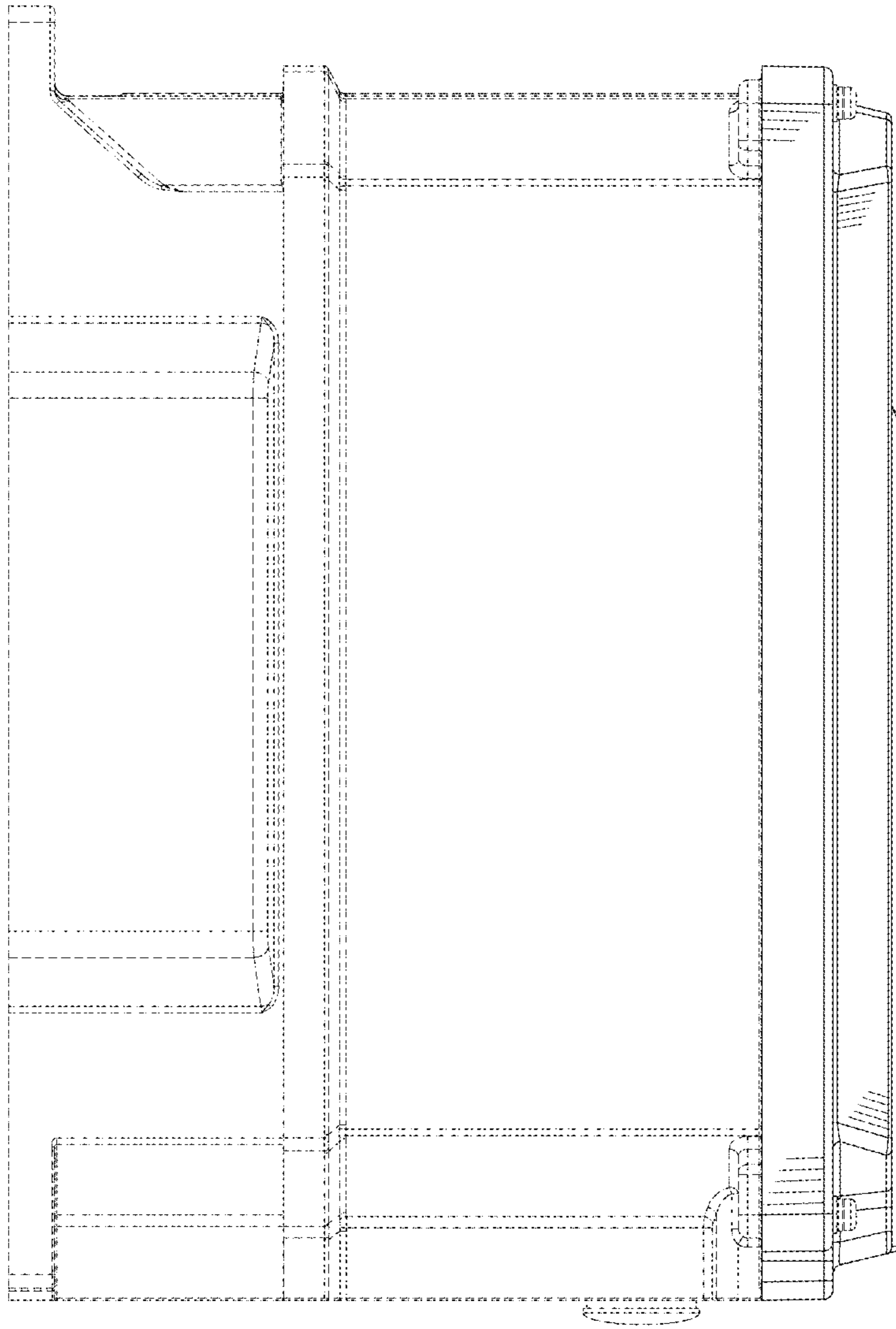


FIG. 21

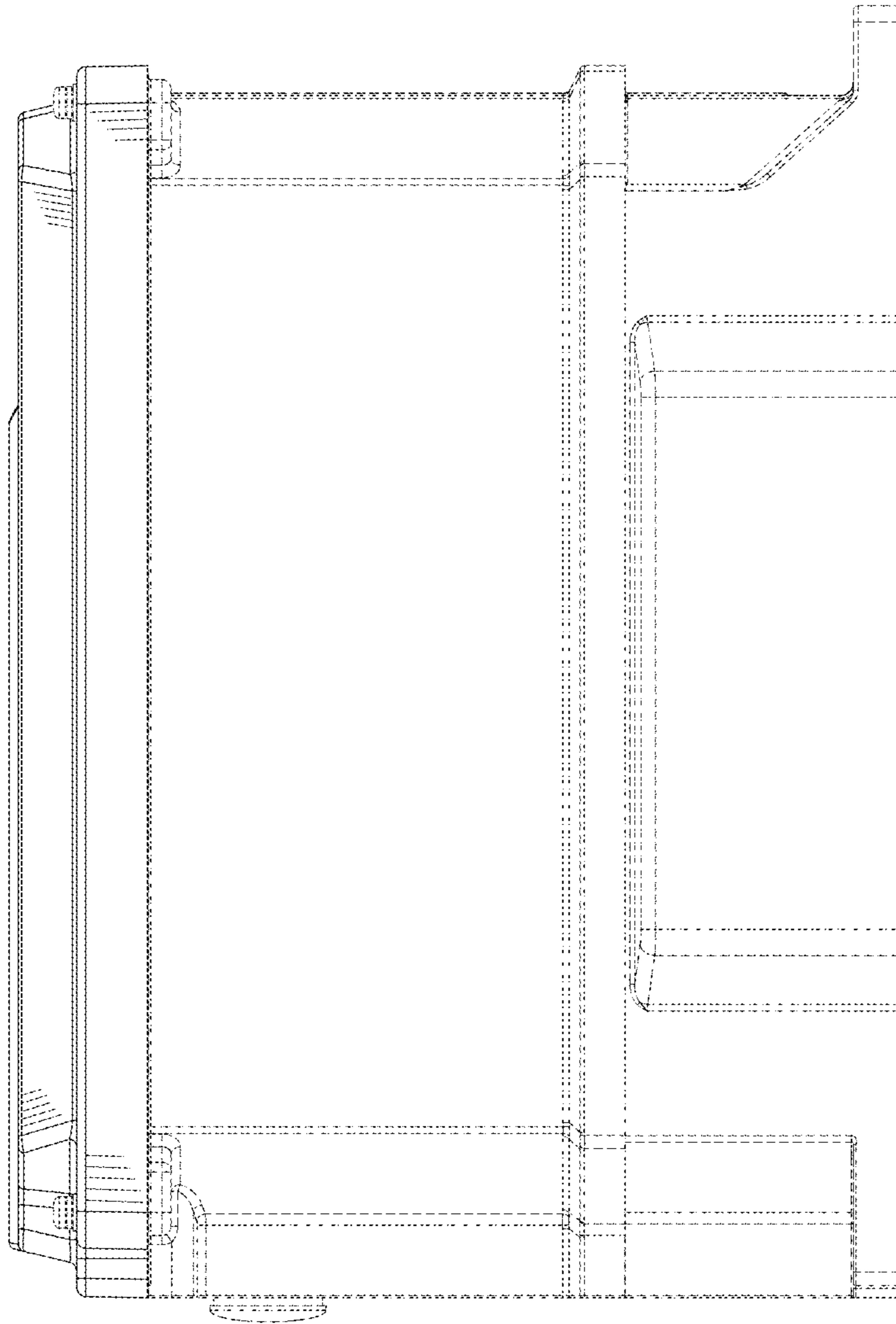


FIG. 22



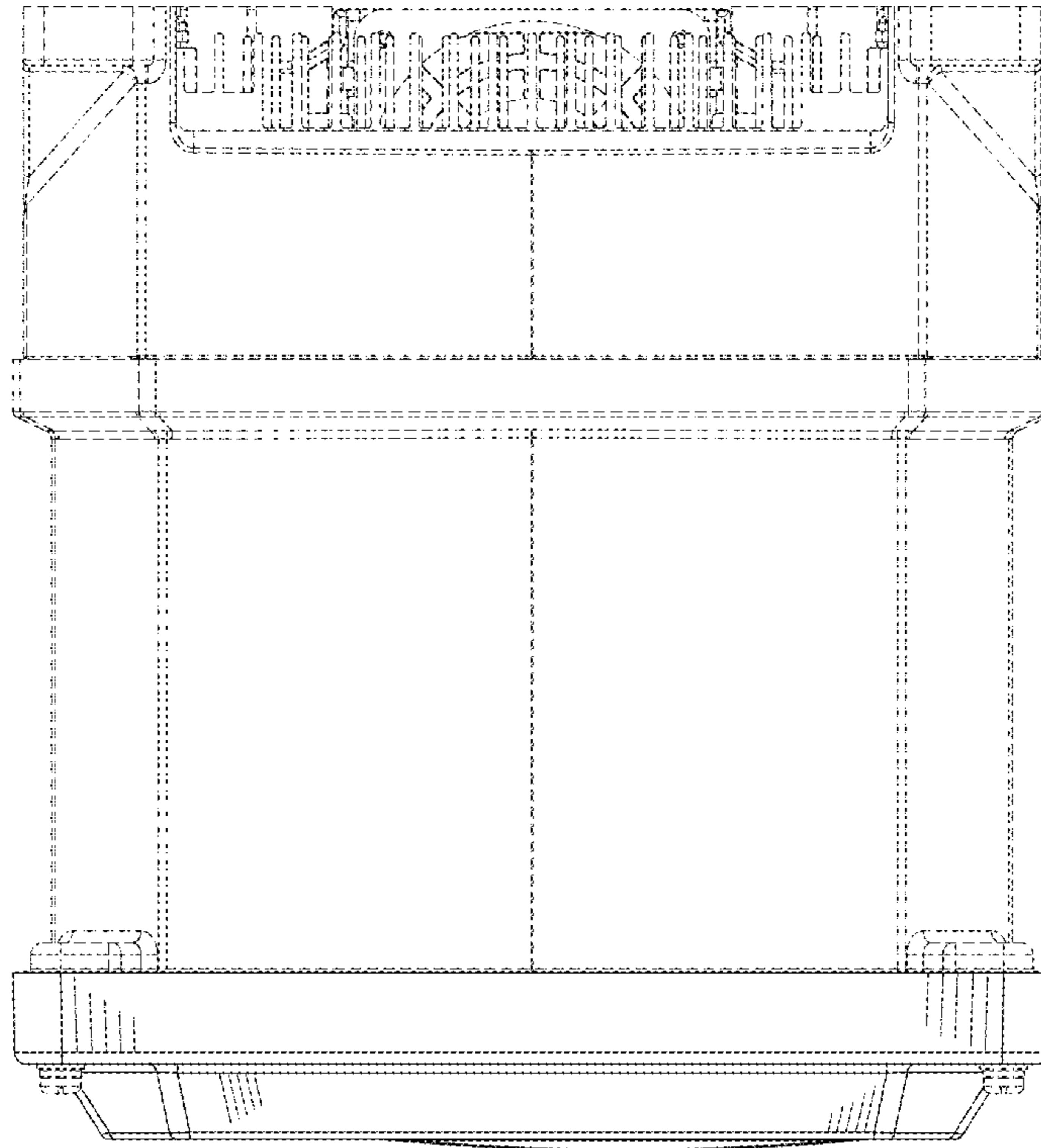


FIG. 23

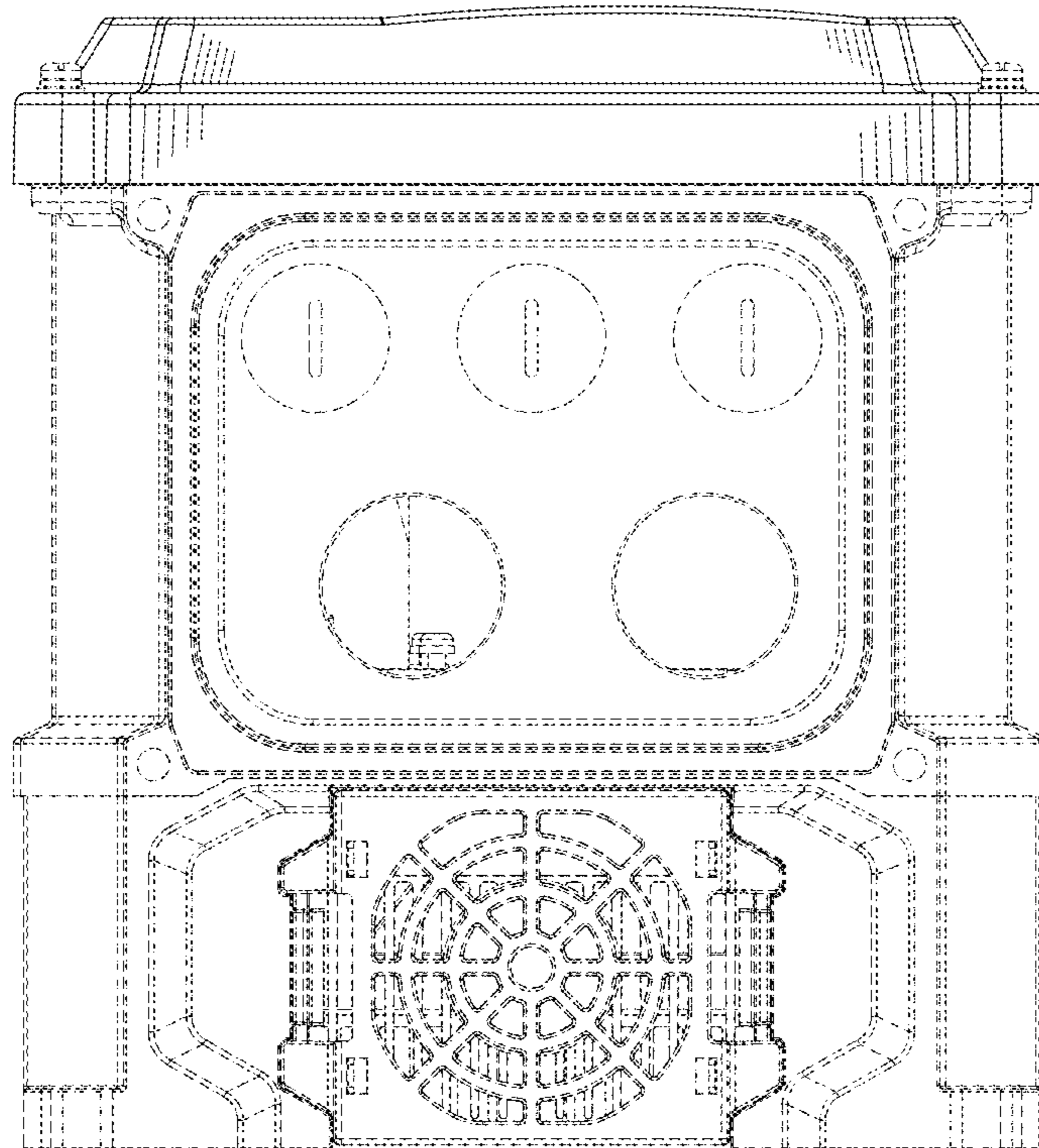


FIG. 24