



US00D887354S

(12) **United States Design Patent** (10) **Patent No.:** **US D887,354 S**  
**Urasini et al.** (45) **Date of Patent:** **\*\* Jun. 16, 2020**

(54) **CHARGING DOCK** H01M 10/44; H01M 10/46; H01M 10/425; B60L 11/182

(71) Applicant: **PHILIP MORRIS PRODUCTS S.A.**, Neuchatel (CH) See application file for complete search history.

(72) Inventors: **Sara Urasini**, Wicklow (IE); **Florent Cuchet**, Stockholm (SE); **Peter Bevan**, Wicklow (IE); **Bayden Filleul**, Dublin (IE); **Michael Nolan**, Dublin (IE)

(56) **References Cited**

U.S. PATENT DOCUMENTS

D660,794 S 5/2012 Fahrendorff et al.

FOREIGN PATENT DOCUMENTS

AU	360099	4/2014
CN	302789796 S	4/2014
CN	303059048 S	12/2014
CN	304072464 S	3/2017
JP	1500012 S	6/2014
KR	30-0855862 S	5/2016

(73) Assignee: **PHILIP MORRIS PRODUCTS S.A.**, Neuchatel (CH)

(\*\*) Term: **15 Years**

(21) Appl. No.: **29/692,677**

(22) Filed: **May 28, 2019**

OTHER PUBLICATIONS

Vietnamese Office Action dated Apr. 18, 2019, in Design Application No. 3-2017-02197, 2 pages.

*Primary Examiner* — Nathaniel D. Buckner

(74) *Attorney, Agent, or Firm* — Oblon, McClelland, Maier & Neustadt, L.L.P.

**Related U.S. Application Data**

(62) Division of application No. 35/504,797, filed on Oct. 20, 2017 (U.S. filing date under 35 U.S.C. 384), and having an international filing date of Oct. 20, 2017, now Pat. No. Des. 869,393.

(30) **Foreign Application Priority Data**

Apr. 21, 2017	(EM)	003865708-0001
Apr. 21, 2017	(EM)	003865708-0003
Apr. 21, 2017	(EM)	003865708-0005
Apr. 21, 2017	(EM)	003865708-0006

(57) **CLAIM**

The ornamental design for a charging dock, as shown and described.

(51) **LOC (12) Cl.** ..... **13-02**

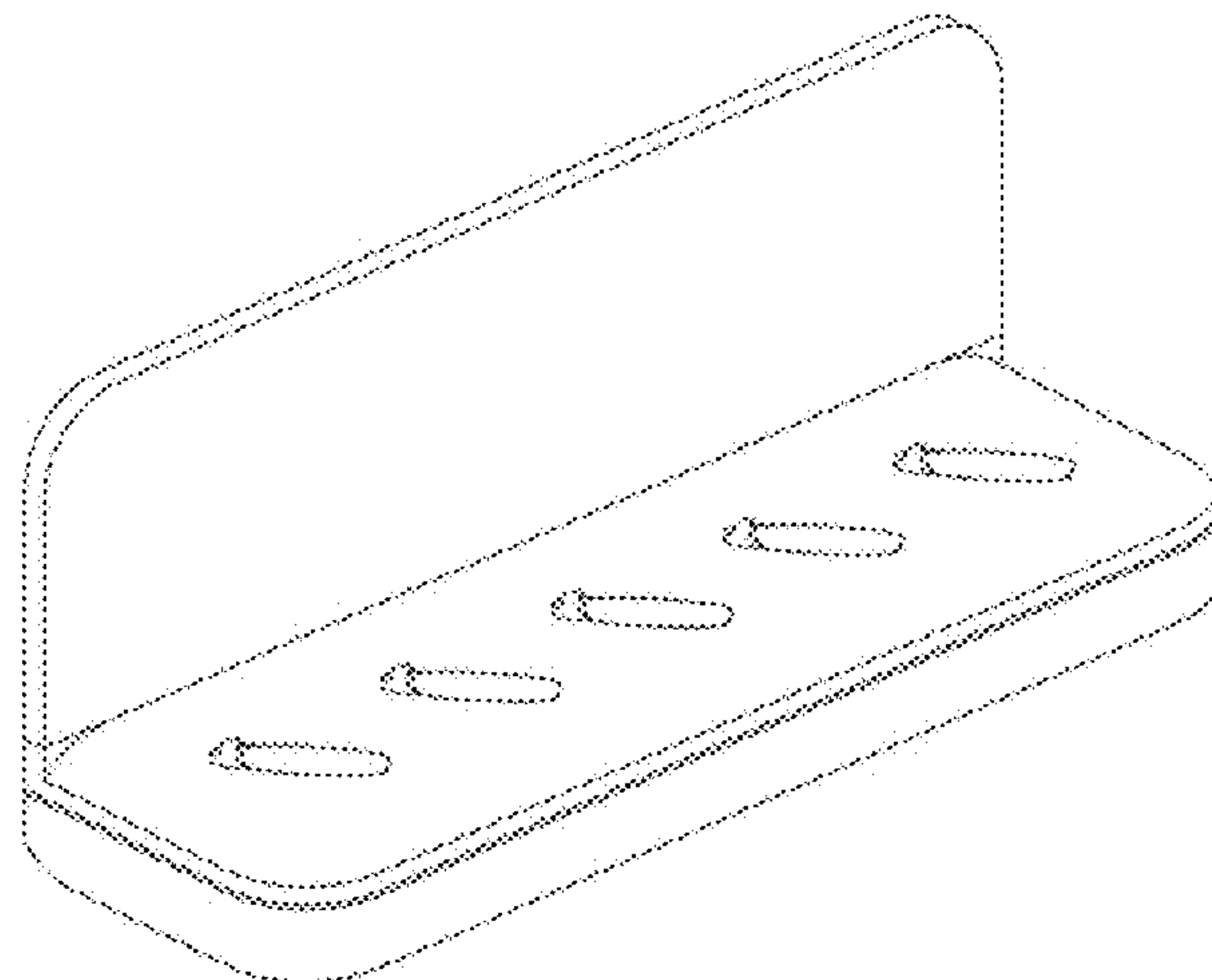
(52) **U.S. Cl.**  
USPC ..... **D13/108**

**DESCRIPTION**

(58) **Field of Classification Search**  
USPC ..... D13/107–110, 118–119, 184; D14/251, D14/253, 432, 434  
CPC ..... Y02E 60/12; Y02T 90/14; Y02T 90/122; Y02T 90/128; Y02T 90/163; H02J 7/025; H02J 7/0042; H02J 7/0044; H02J 7/0045; H02J 7/0003; H01F 38/14; H01R 13/6675; H01M 2/1022; H01M 2/1055;

FIG. 1 is a front, top, and left side perspective view of a charging dock;  
FIG. 2 is a front elevational view thereof;  
FIG. 3 is a rear elevational view thereof;  
FIG. 4 is a left side elevational view thereof;  
FIG. 5 is a right side elevational view thereof;  
FIG. 6 is a top plan view thereof; and,  
FIG. 7 is a bottom plan view thereof.

(Continued)



The broken lines shown in the figures are for the purpose of illustrating portions of the charging dock that form no part of the claimed design.

**1 Claim, 7 Drawing Sheets**

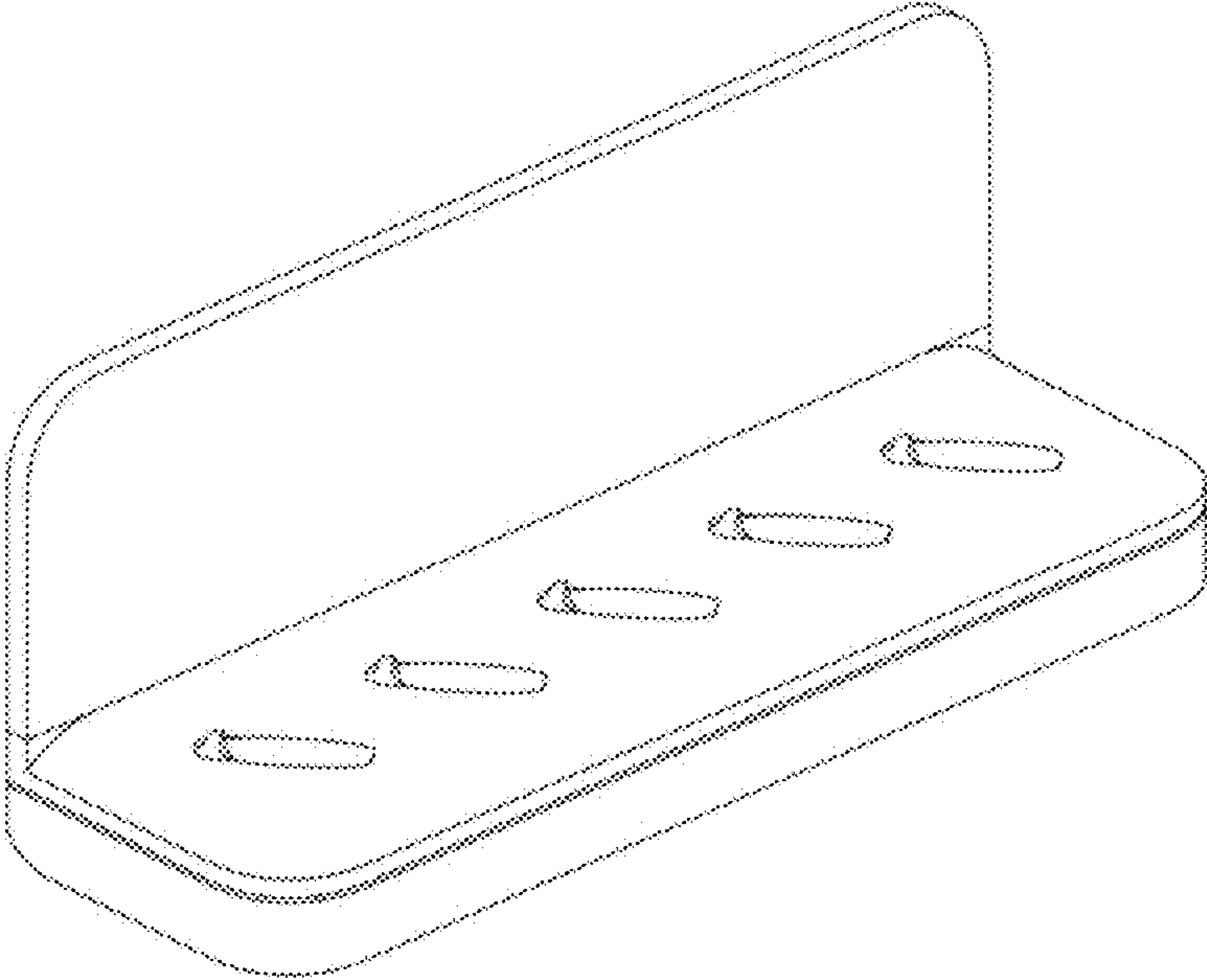


FIG. 1

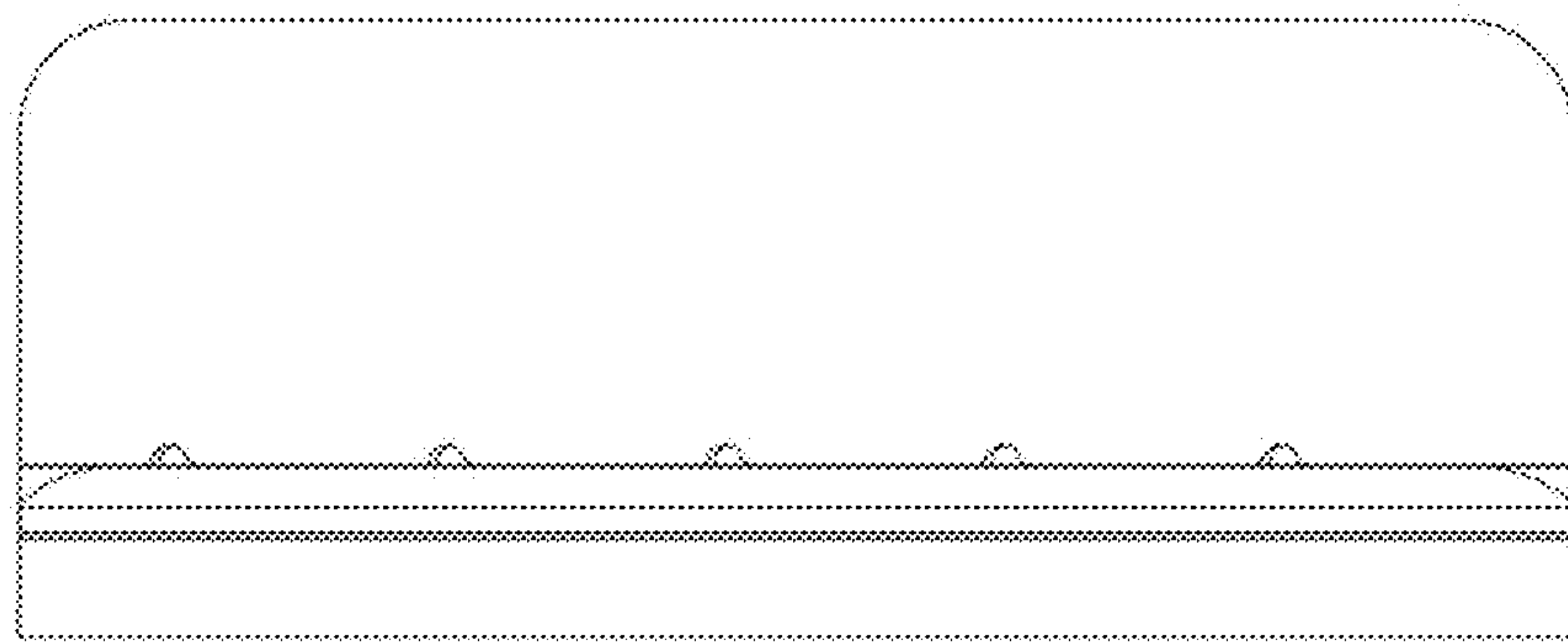


FIG. 2

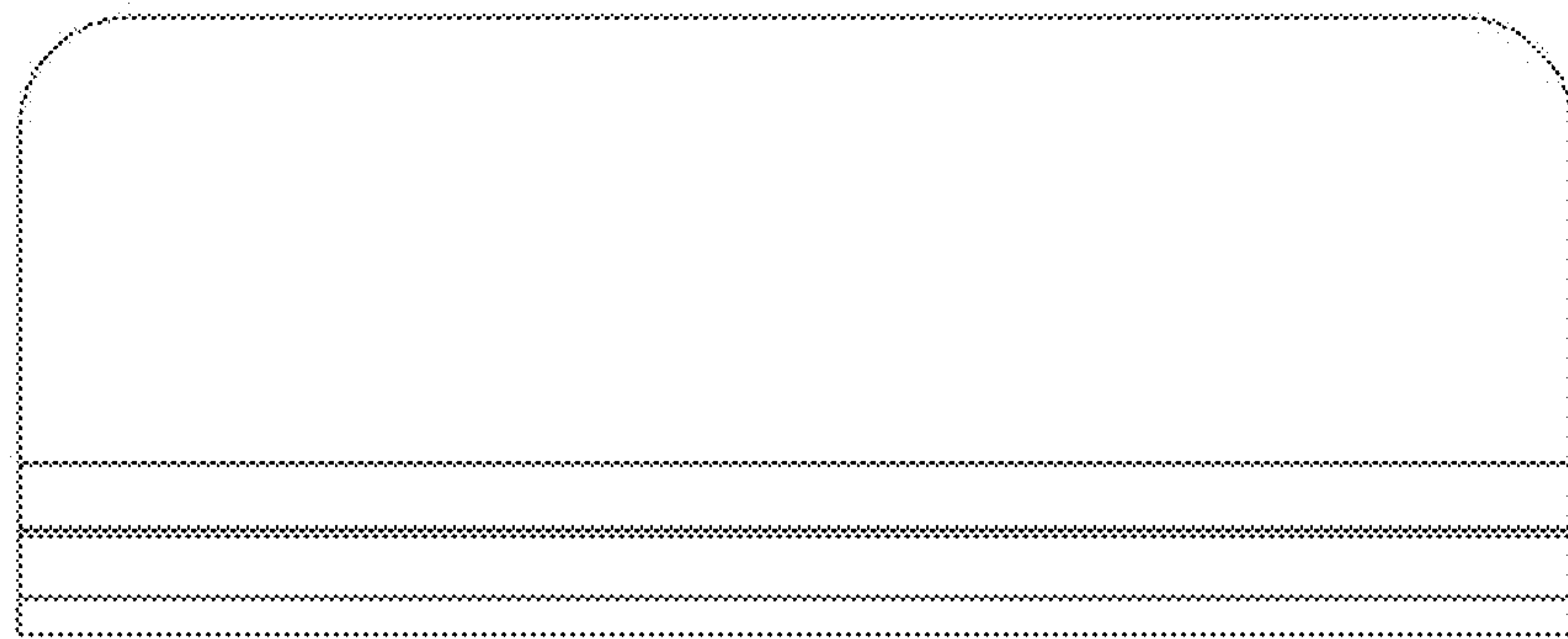


FIG. 3

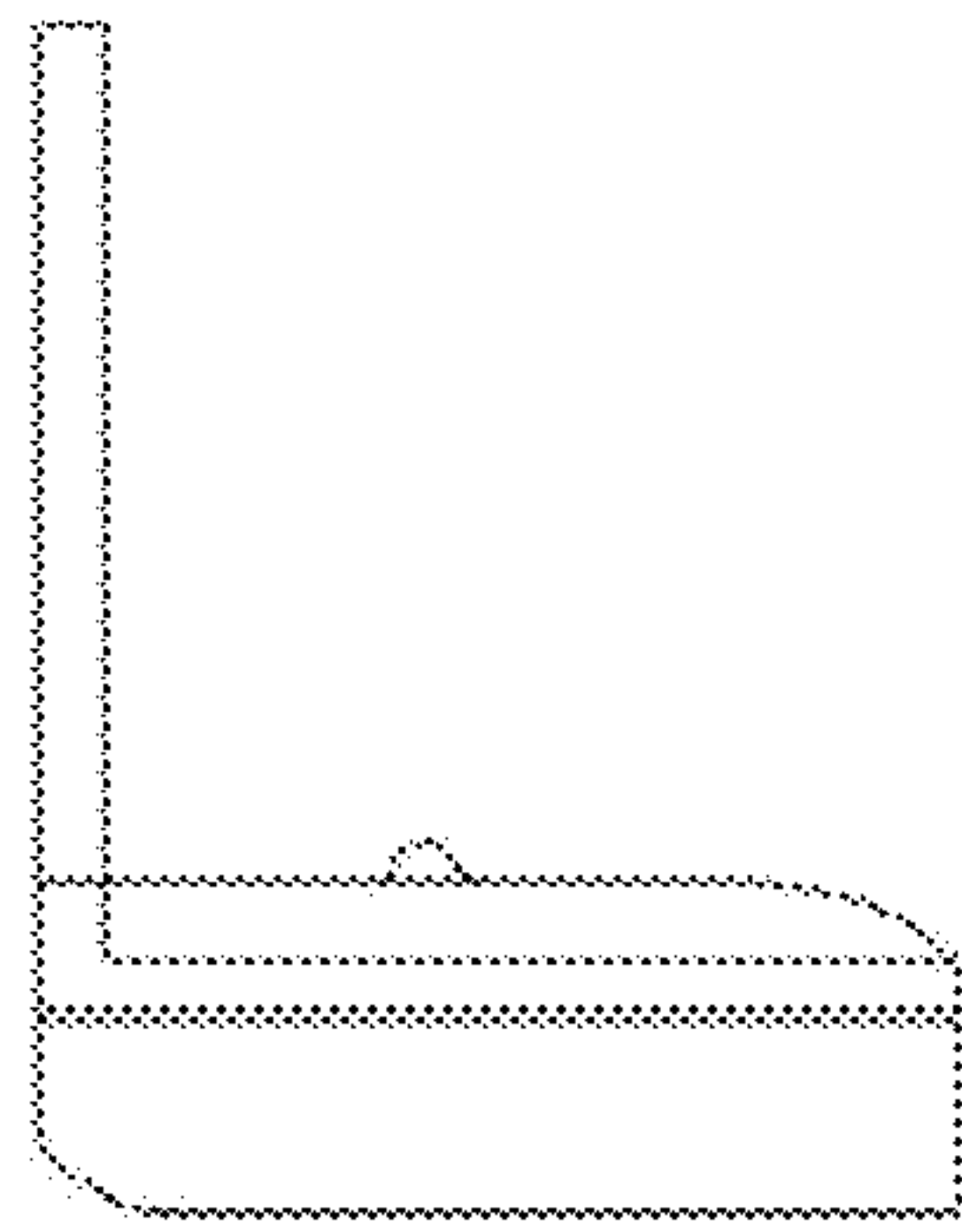


FIG. 4

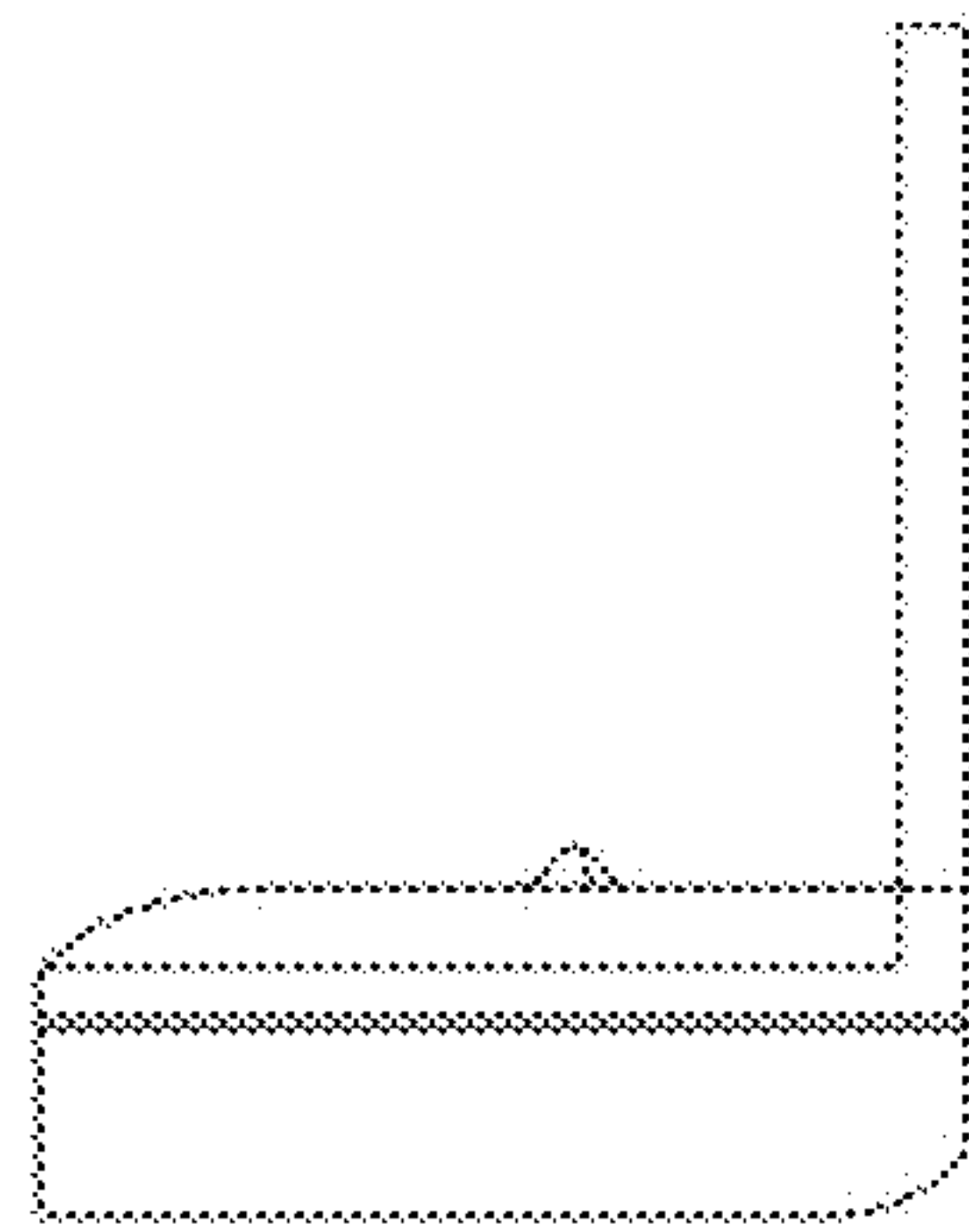


FIG. 5

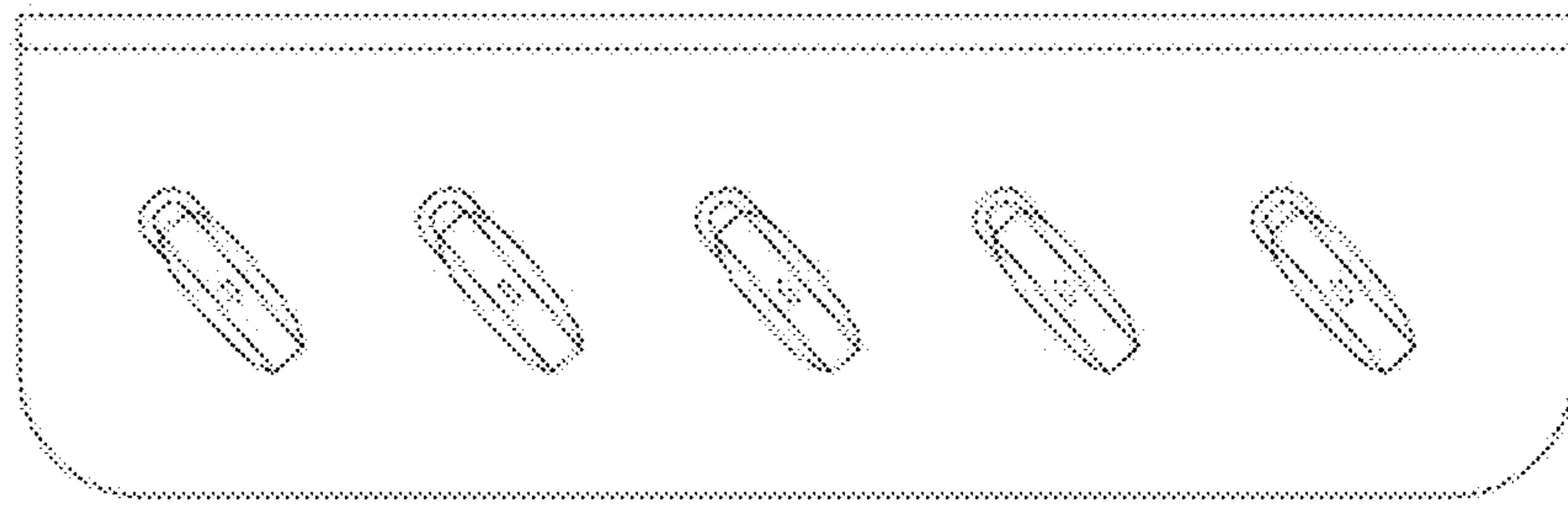


FIG. 6



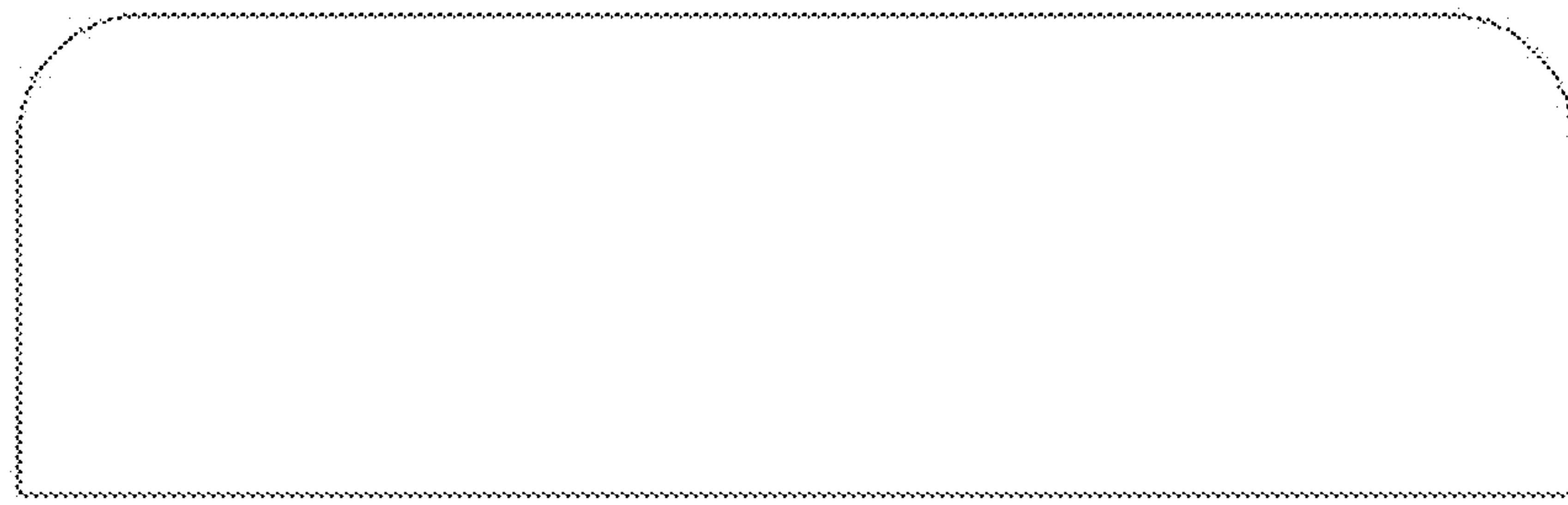


FIG. 7