



US00D887352S

(12) **United States Design Patent**
Cushing et al.

(10) **Patent No.:** **US D887,352 S**
(45) **Date of Patent:** **** Jun. 16, 2020**

(54) **DUAL CHARGER FOR SIMULTANEOUS CHARGING OF CONSUMER ELECTRONIC DEVICES**

(71) Applicant: **TESSCO Communications Incorporated**, Hunt Valley, MD (US)

(72) Inventors: **Andrew Benjamin Cushing**, Baltimore, MD (US); **Nicole Christine Smolenski**, Baltimore, MD (US); **Bradley Jeremiah Cox**, Joppa, MD (US); **Cheryl Scalzo Jenner**, Ellicott City, MD (US)

(73) Assignee: **TESSCO Communications Incorporated**, Hunt Valley, MD (US)

(**) Term: **15 Years**

(21) Appl. No.: **29/682,881**

(22) Filed: **Mar. 8, 2019**

(51) **LOC (12) Cl.** **13-02**

(52) **U.S. Cl.**
USPC **D13/108**

(58) **Field of Classification Search**
USPC D13/103, 107, 108, 110, 133, D13/137.1-137.4, 138.1-138.2, D13/139.1-139.8, 146, 147, 151-156, D13/173, 177, 199; D14/432, 433, 435.1, D14/250; D15/7-9; D8/350, 353-356; D23/231, 232
CPC Y02E 60/12; Y02E 60/122; Y02E 60/124; Y02E 60/50; H01M 2/02; H01M 2/022; H01M 2/0202; H01M 2/0207; H01M 2/0212; H01M 2/1061; H01M 2/1022; H01M 2/1055; H01M 2/1066; H01M 2/105; H01M 2/204; Y02T 10/7005; Y02T 10/705; Y02T 10/7088; H02J 7/00; H02J 7/0003; H02J 7/0011; H02J 7/0013; H02J 7/0054; H02J 7/0055; H02J 7/0057; H01R 11/00; H01R 9/00; H01R 13/00; H01R 13/04; H01R 13/10; H01R 13/6666; H01R

(Continued)

(56) **References Cited**

U.S. PATENT DOCUMENTS

D578,475 S * 10/2008 Beedham D13/108
D627,718 S * 11/2010 Houghton D13/108
D645,818 S * 9/2011 Guccione D13/108

(Continued)

OTHER PUBLICATIONS

Boost Up product by Belkin, available at <https://www.belkin.com/us/p/P-F8J234/> Website printed Feb. 25, 2019.

(Continued)

Primary Examiner — Rosemary K Tarcza

Assistant Examiner — Christy M Nemeth

(74) *Attorney, Agent, or Firm* — Larry J. Guffey, Esq.;
Oliver & Grimsley, LLC

(57) **CLAIM**

The ornamental design for a dual charger for simultaneous charging of consumer electronic devices, as shown and described.

DESCRIPTION

FIG. 1 is a perspective view of a dual charger for simultaneous charging of consumer electronic devices of our new design;

FIG. 2 is a front elevational view thereof

FIG. 3 is a right side elevational view thereof, the left side elevational view being a mirror image of FIG. 3;

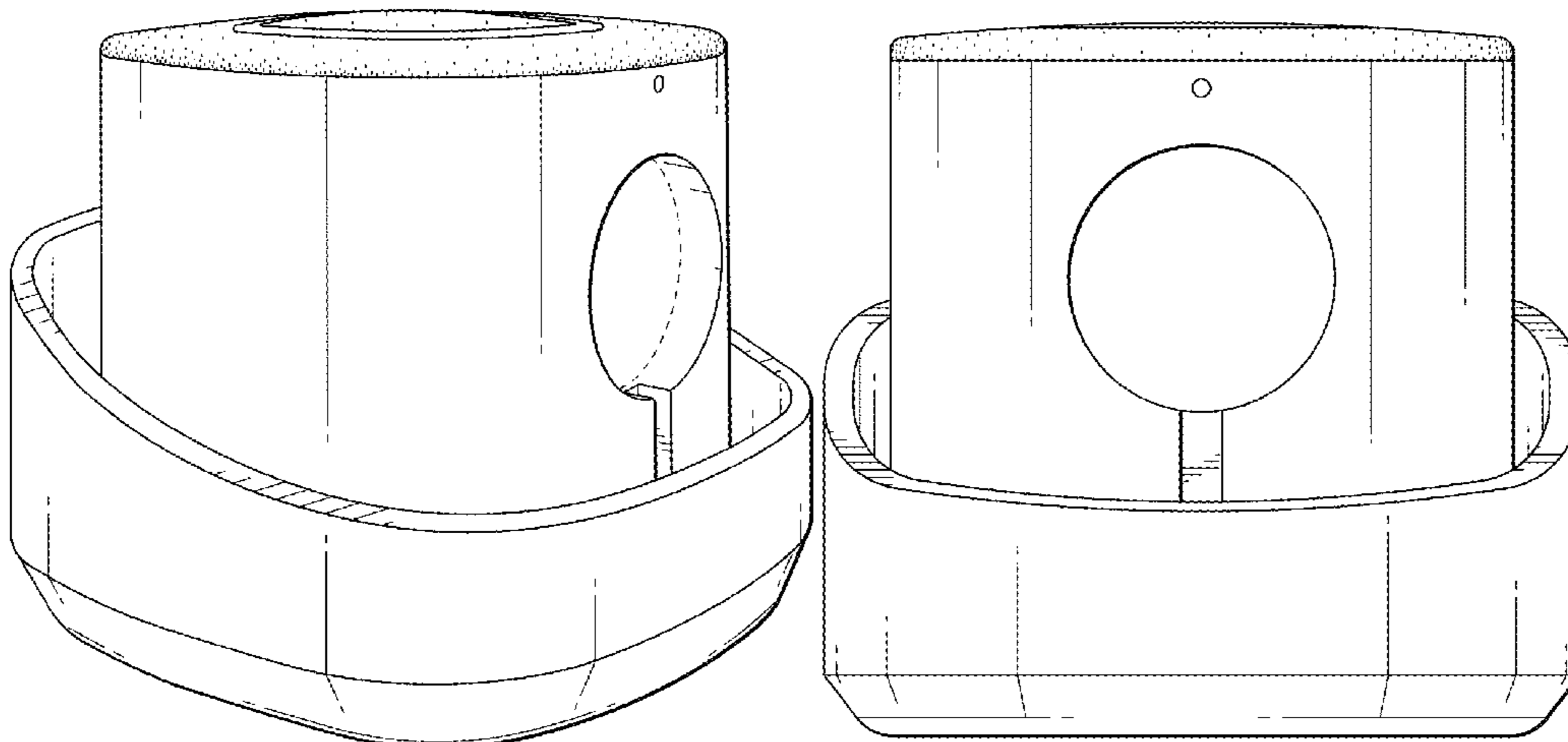
FIG. 4 is a rear elevational view thereof;

FIG. 5 is a top plan view thereof; and,

FIG. 6 is a bottom plan view thereof.

The broken lines in the drawings are for the purpose of illustrating portions of the article that form no part of the claimed design.

1 Claim, 3 Drawing Sheets



(58) **Field of Classification Search**

CPC .. 13/6675; H01R 25/00; H01R 25/006; H01H 2207/00; H01H 2207/022

See application file for complete search history.

(56) **References Cited**

U.S. PATENT DOCUMENTS

D722,763	S	*	2/2015	Dandachli	D14/435.1
D798,808	S	*	10/2017	Ptok	D13/108
D836,547	S	*	12/2018	Uttley	D13/108
D851,090	S	*	6/2019	Tak	D14/433
D855,567	S	*	8/2019	Cai	D13/108
D861,602	S	*	10/2019	Feng	D13/108
D865,768	S	*	11/2019	Du	D14/434
D868,067	S	*	11/2019	Guarniere	D14/432
D870,040	S	*	12/2019	Wu	D13/108
D870,663	S	*	12/2019	Schubert	D13/108
D870,664	S	*	12/2019	Langhammer	D13/108
D870,665	S	*	12/2019	Schubert	D13/108
D872,015	S	*	1/2020	Choi	D13/108
2017/0133874	A1		5/2017	Loewen		
2018/0219392	A1		8/2018	Dittrich		

OTHER PUBLICATIONS

Hirise Duet product by TwelveSouth, available at <https://www.twelvesouth.com/product/hirise-duet> Website printed Feb. 25, 2019.

Oittm 4 in Multifunction Charging Stand by Oittm, available at <https://www.oittm.com/Oittm-Apple-Watch-Stand-Space-Grey> Website printed Feb. 25, 2019.

Belkin Wireless Charging Dock Plus Apple Watch Charger, available at <https://www.att.comchargers/belkin-wireless-charging-dock-plus-apple-watch-charger.html#sku=sku9350258> Website printed Feb. 25, 2019.

Sararoom 2 in 1 Wireless Charger device, available at https://www.amazon.co.uk/Sararoom-Wireless-Qi-Certified-Charging-Qi-enabled/dp/B07DKZBNFV?ref_=fsclp_pl_dp_15 Website printed Feb. 25, 2019.

Mangotek Wireless Charger Apple Watch Stand device, available at https://www.amazon.ca/Mangotek-Wireless-Charging-Magnetic-Certificated/dp/B078NHNJ6G?ref_=fsclp_pl_dp_13 Website printed Feb. 25, 2019.

Material Dock by Studio Neat, available at <https://www.studioneat.com/products/dock> Website printed Feb. 25, 2019.

iOttie Omnibolt Applie Watch Stand iPhone Docking Station, available at <https://www.bestbuy.ca/en-ca/product/iottie-omnibolt-apple-watch-stand-iphone-docking-station-for-apple-watch-series-2-1-iphone-7s-plus-7s-6s-se-6-silver/12960227.aspx> Website printed Feb. 25, 2019.

Samsung Wireless Charger Duo, available at https://www.samsung.com/us/mobile/mobile-accessories/phones/wireless-charger-duo--black-ep-n6100tbegus/?awc=8330_1550173081_eb7c4ef11a096e1e2967dc134213a05d Website printed Feb. 25, 2019.

InstaCharge All in One Watch and Phone Wireless Charging Stand, available at <https://www.ebay.com/itm/instaCHARGE-AllInOne-Watch-and-Phone-Wireless-Charging-Stand-/223224991032> Website printed Feb. 25, 2019.

* cited by examiner

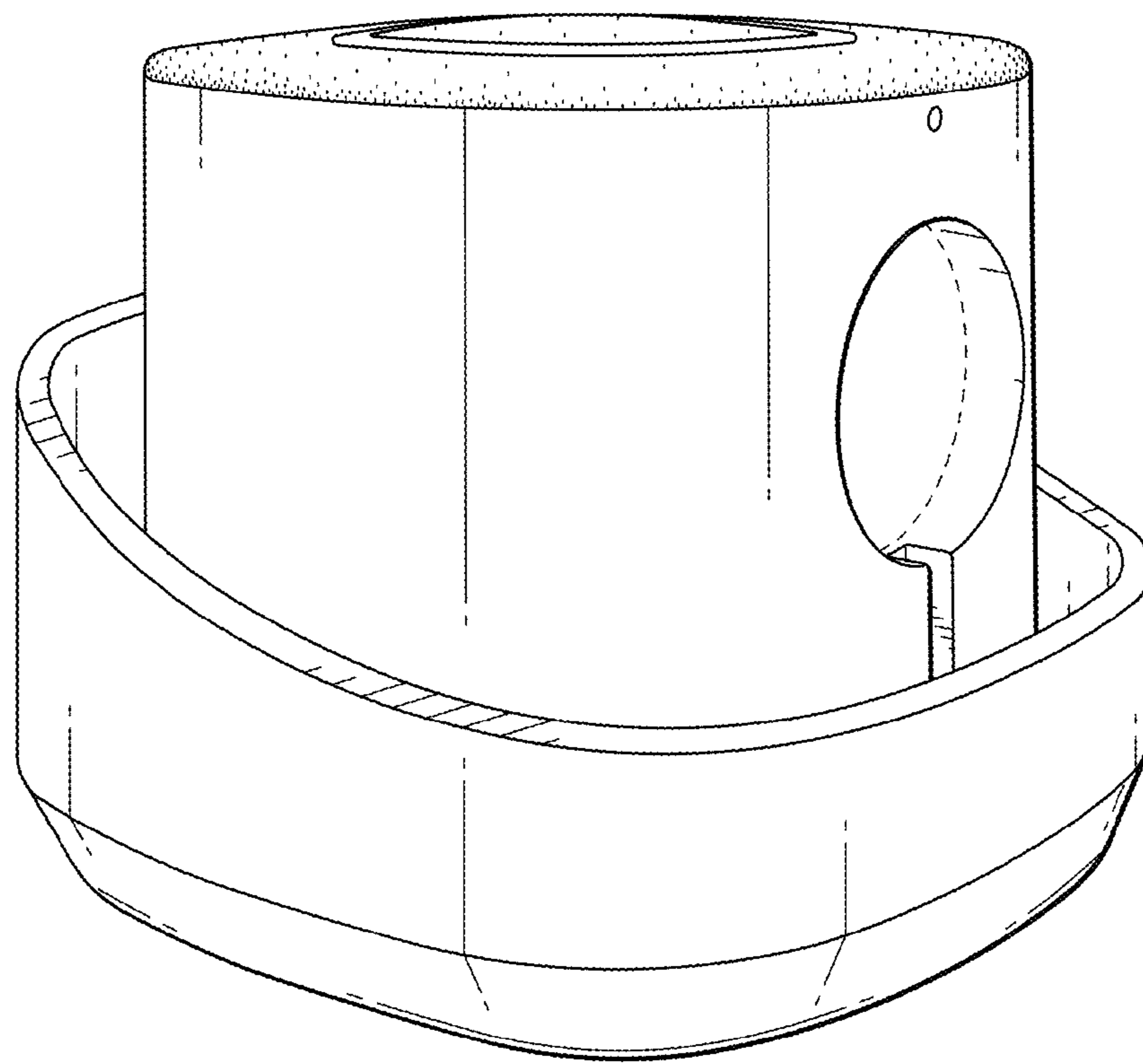


FIG. 1

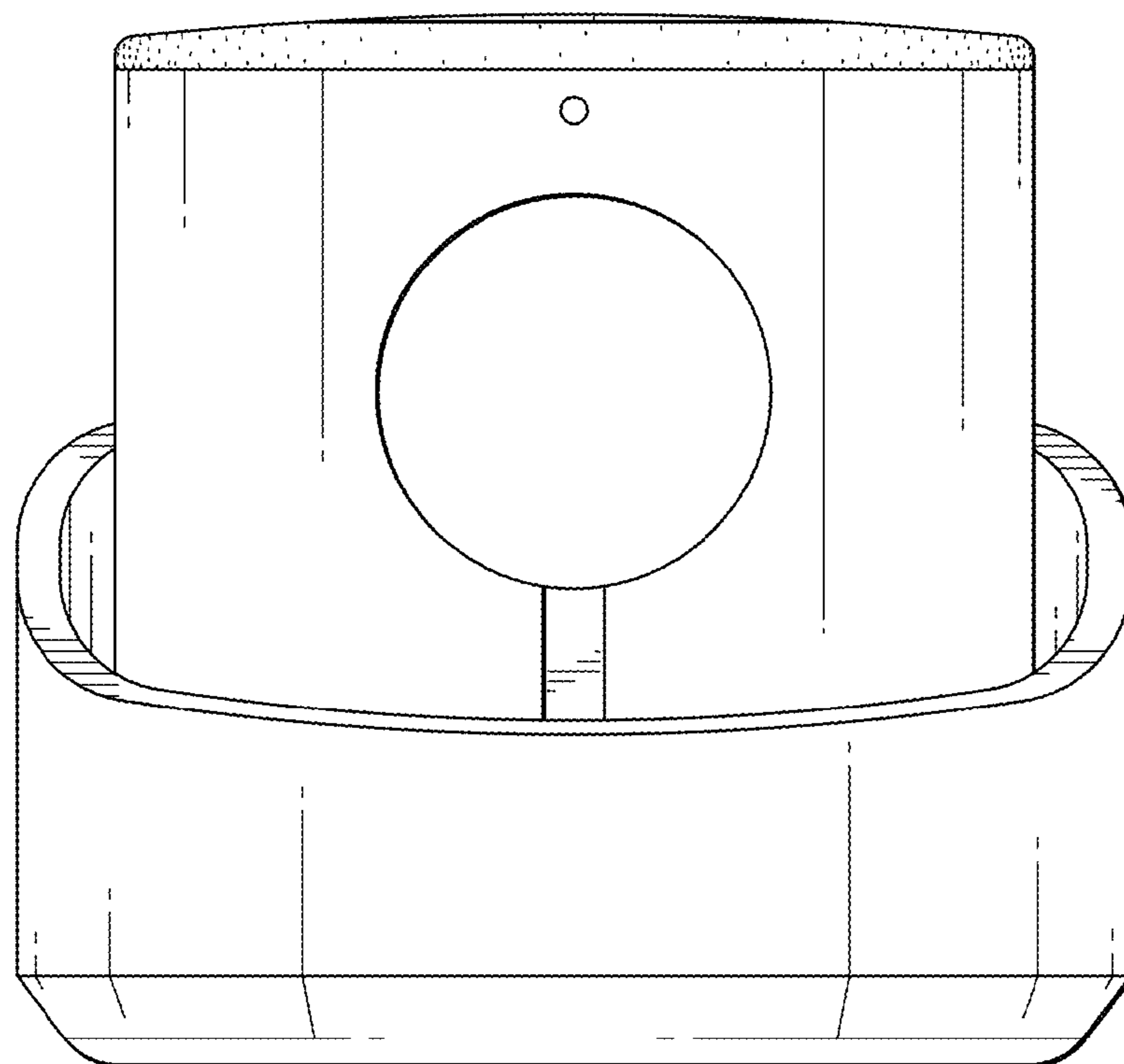


FIG. 2

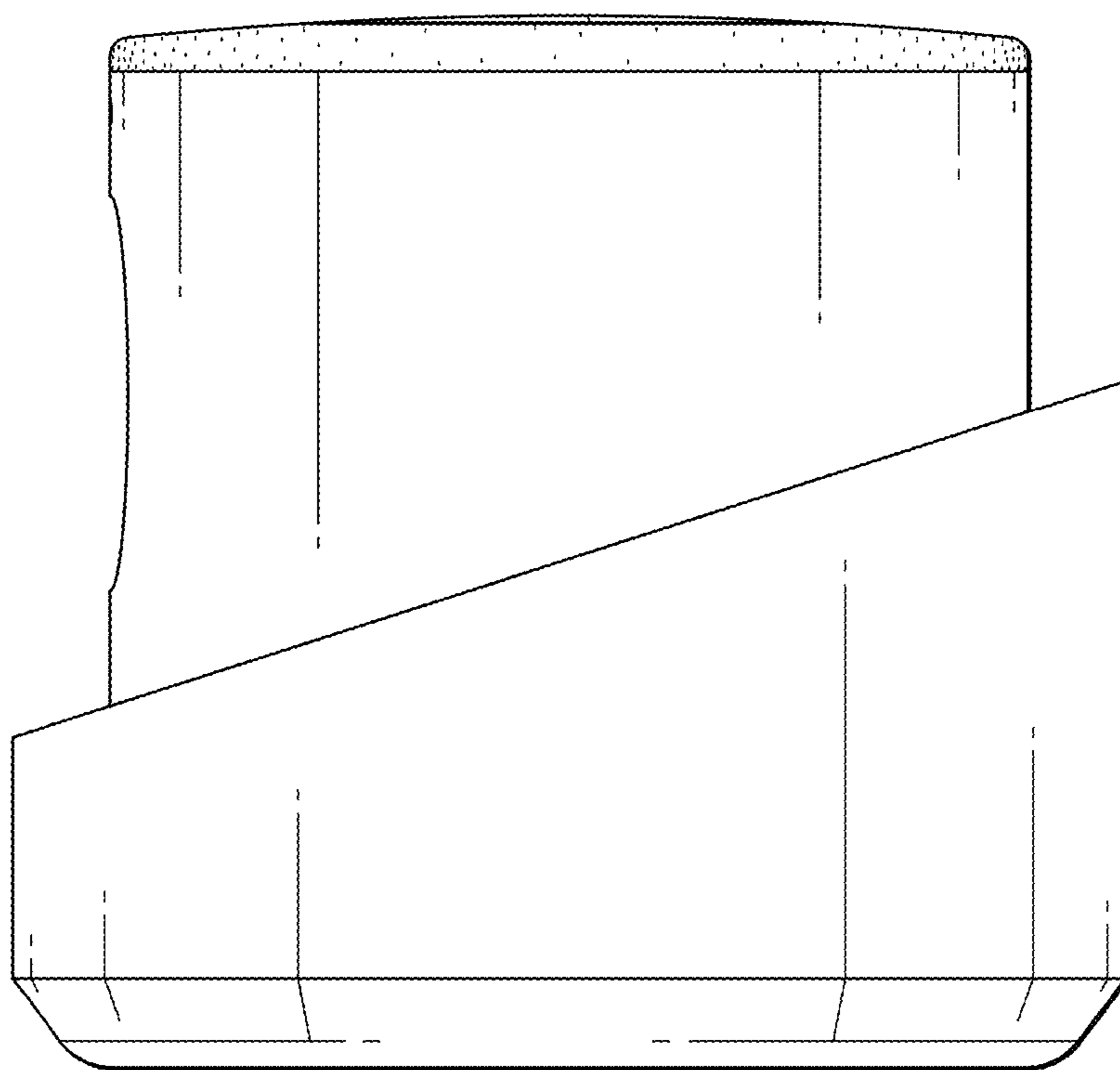


FIG. 3

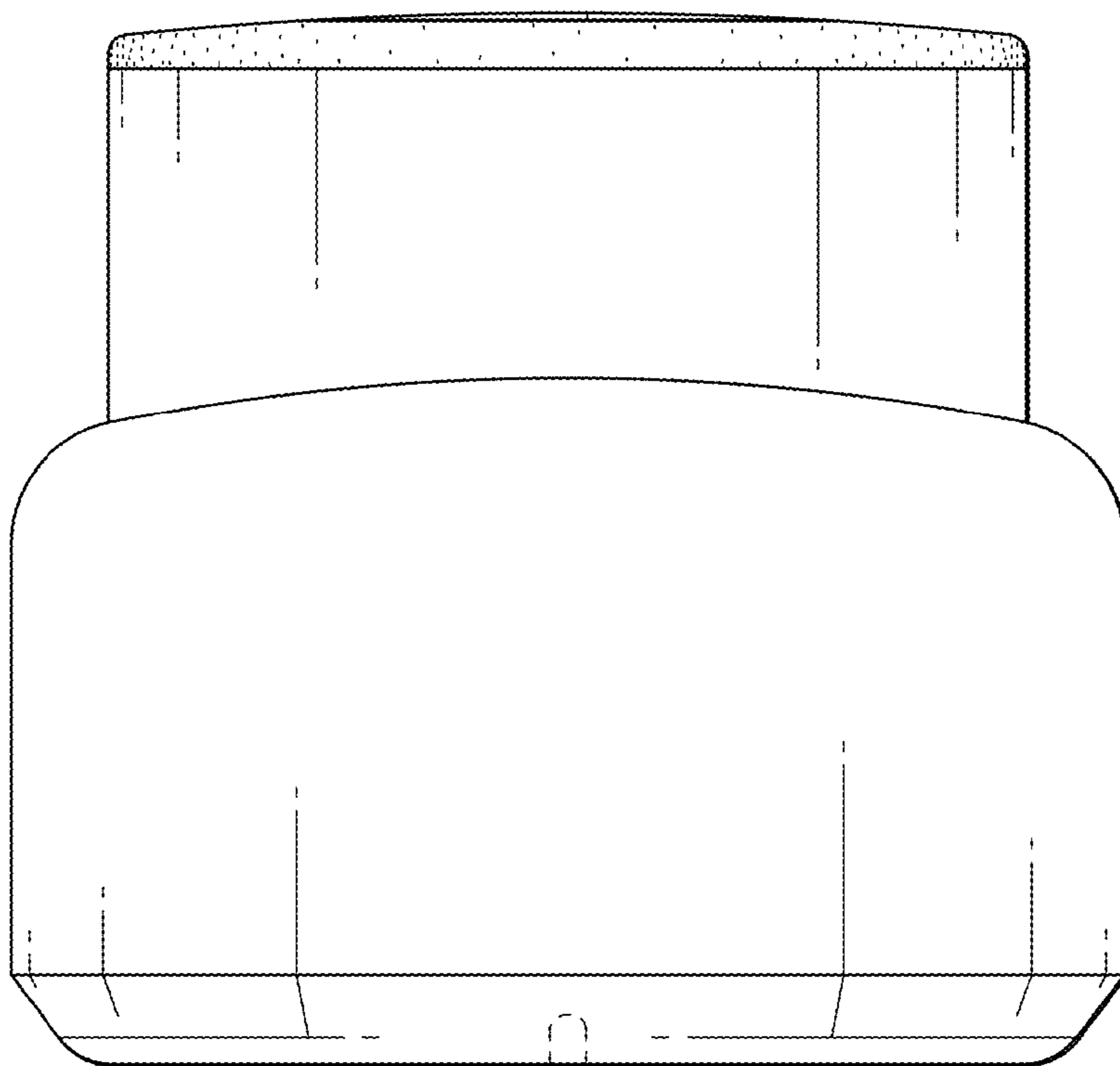


FIG. 4

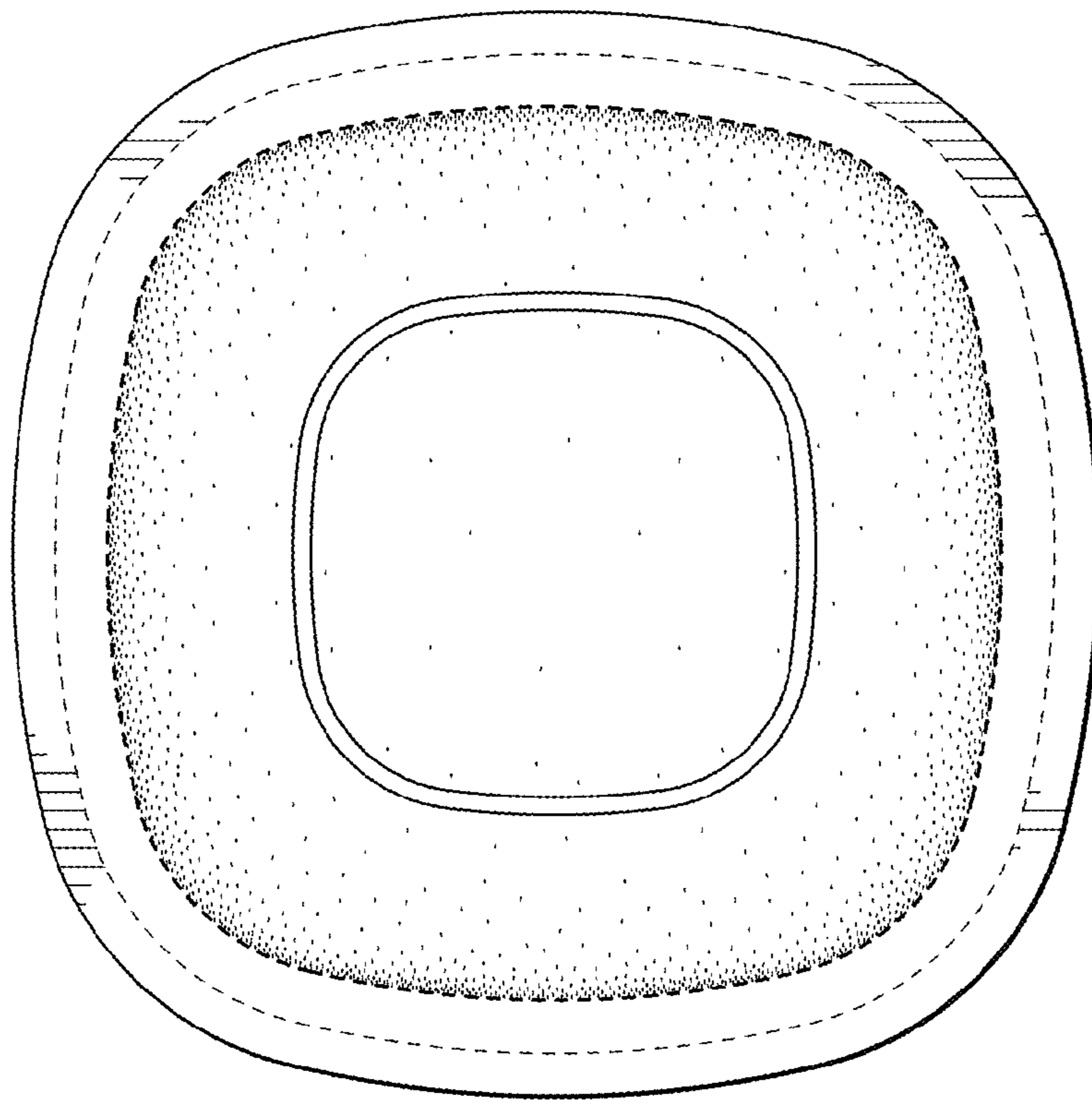


FIG. 5

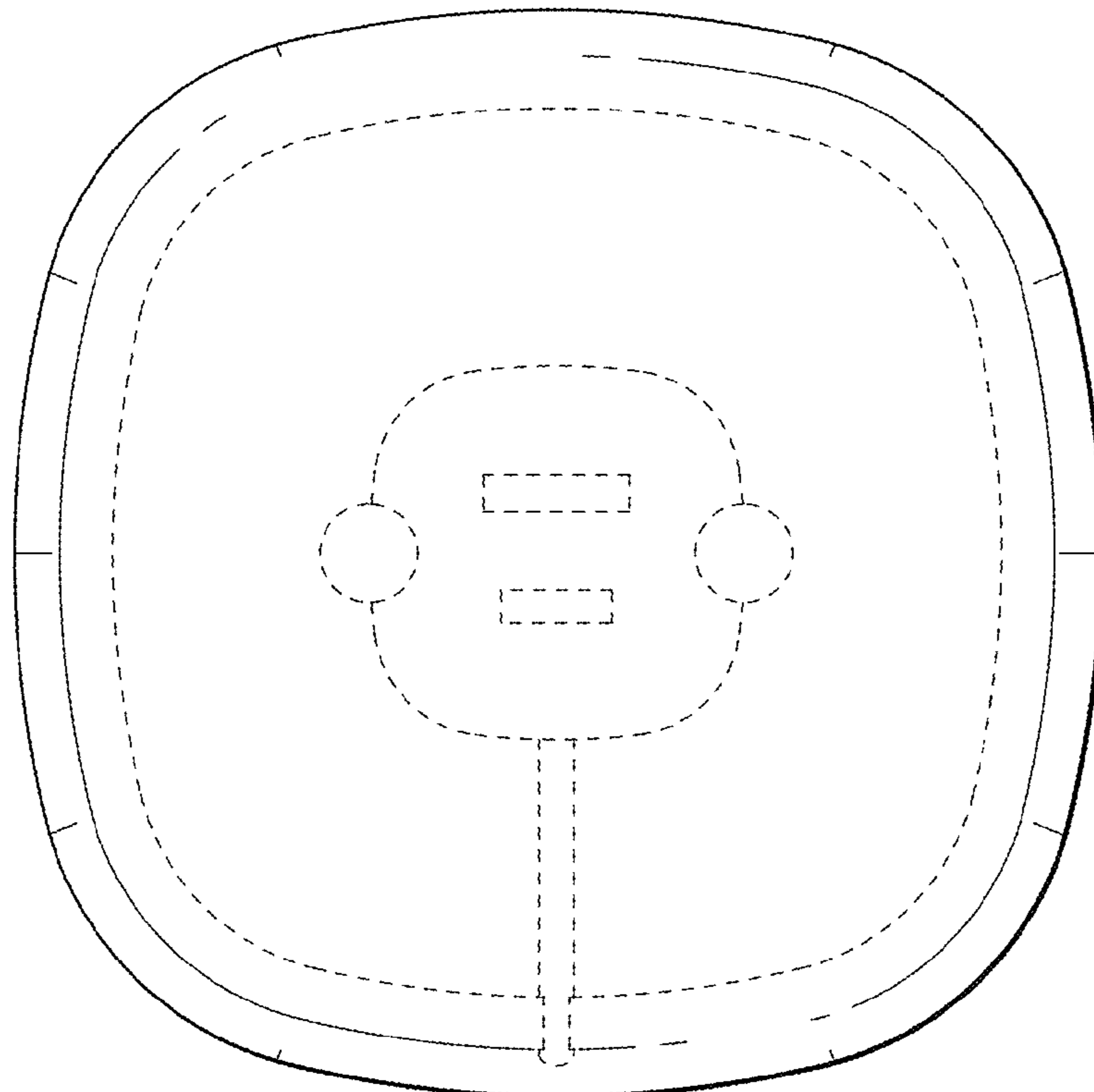


FIG. 6