



US00D887346S

(12) **United States Design Patent** (10) **Patent No.:** **US D887,346 S**
Abbamonte (45) **Date of Patent:** **** Jun. 16, 2020**

- (54) **SOLAR CHARGING STATION**
- (71) Applicant: **Legacy Consulting, LLC**, South Windsor, CT (US)
- (72) Inventor: **Christopher Abbamonte**, South Windsor, CT (US)
- (73) Assignee: **Legacy Consulting, LLC**, South Windsor, CT (US)

9,394,693	B2 *	7/2016	Daniels	H02S 20/25
D767,484	S *	9/2016	Morad	D13/102
D778,234	S *	2/2017	Cheung	D13/102
D814,402	S *	4/2018	Cheung	D13/102
D817,265	S *	5/2018	Liu	D13/102
D823,237	S *	7/2018	Albright	D13/102
D830,296	S *	10/2018	Liu	D13/102
D832,203	S *	10/2018	Caswell	D13/102
10,141,885	B2 *	11/2018	Smadja	H02S 20/00
D841,571	S *	2/2019	Zhou	D13/102
D857,624	S *	8/2019	Katov	D13/102

(Continued)

(**) Term: **15 Years**

Primary Examiner — Susan Bennett Hattan

Assistant Examiner — Suzanne E Tisdell

(21) Appl. No.: **29/657,129**

(74) *Attorney, Agent, or Firm* — Offit Kurman, P.C.;

Gregory A. Grissett

(22) Filed: **Jul. 19, 2018**

(51) **LOC (12) Cl.** **13-02**

(57) **CLAIM**

(52) **U.S. Cl.**
USPC **D13/102**

The ornamental design for a solar charging station, as shown and described.

(58) **Field of Classification Search**
USPC D13/101, 102, 103, 118, 119, 184, 199;
D14/441, 447, 451
CPC H02S 20/20; H02S 20/24; H02S 20/30;
H02S 30/10; H02S 40/36; Y02B 10/12;
Y02B 10/20
See application file for complete search history.

DESCRIPTION

(56) **References Cited**

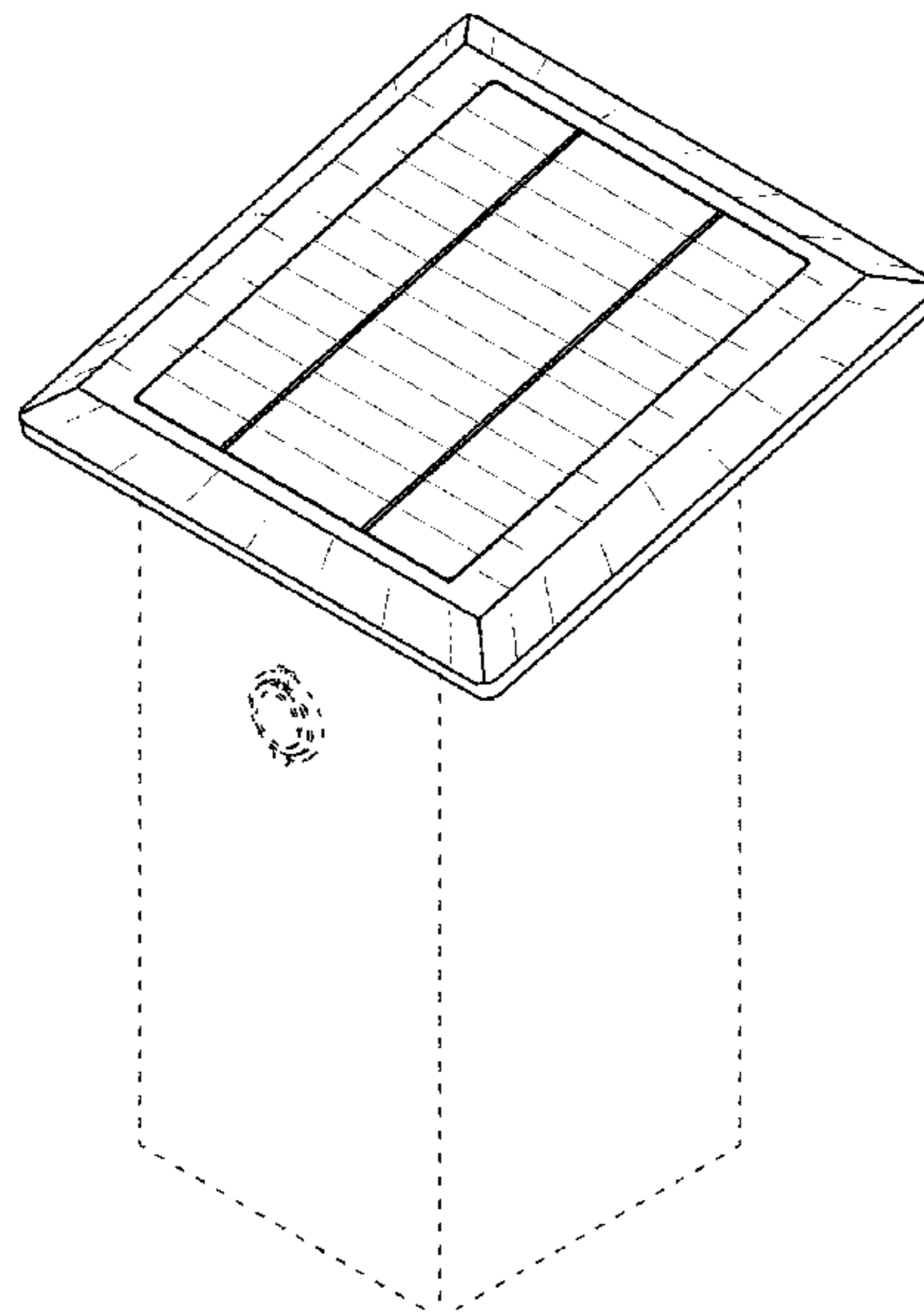
U.S. PATENT DOCUMENTS

D524,727	S *	7/2006	Yamashita	D13/102
D543,501	S *	5/2007	Yamashita	D13/102
8,205,400	B2 *	6/2012	Allen	H01L 31/048 136/244
D684,112	S *	6/2013	Fallon	D13/102
8,607,510	B2 *	12/2013	Daniels	E04D 1/30 126/622
D719,909	S *	12/2014	Iwasaki	D13/102
9,082,913	B2 *	7/2015	Karpovich	H01L 31/048
9,156,568	B1 *	10/2015	Spence	B64G 1/222
D750,556	S *	3/2016	Morad	D13/102
9,281,777	B1 *	3/2016	Borgstrom	F16M 11/38

FIG. 1 is a perspective view of a charging station according to an embodiment of my design;
FIG. 2 is a front view of the charging station shown in FIG. 1;
FIG. 3 is a rear view of the charging station shown in FIG. 1;
FIG. 4 is a left side view of the charging station shown in FIG. 1;
FIG. 5 is a right side view of the charging station shown in FIG. 1;
FIG. 6 is a top plan view of the charging station shown in FIG. 1; and,
FIG. 7 is a bottom view of the charging station shown in FIG. 1.

The broken line portions of the figure drawings are included to show unclaimed subject matter only and forms no part of the claimed design.

1 Claim, 4 Drawing Sheets



(56)

References Cited

U.S. PATENT DOCUMENTS

D866,456 S * 11/2019 Negley D13/102
10,536,108 B2 * 1/2020 Goldberg H02S 20/24

* cited by examiner

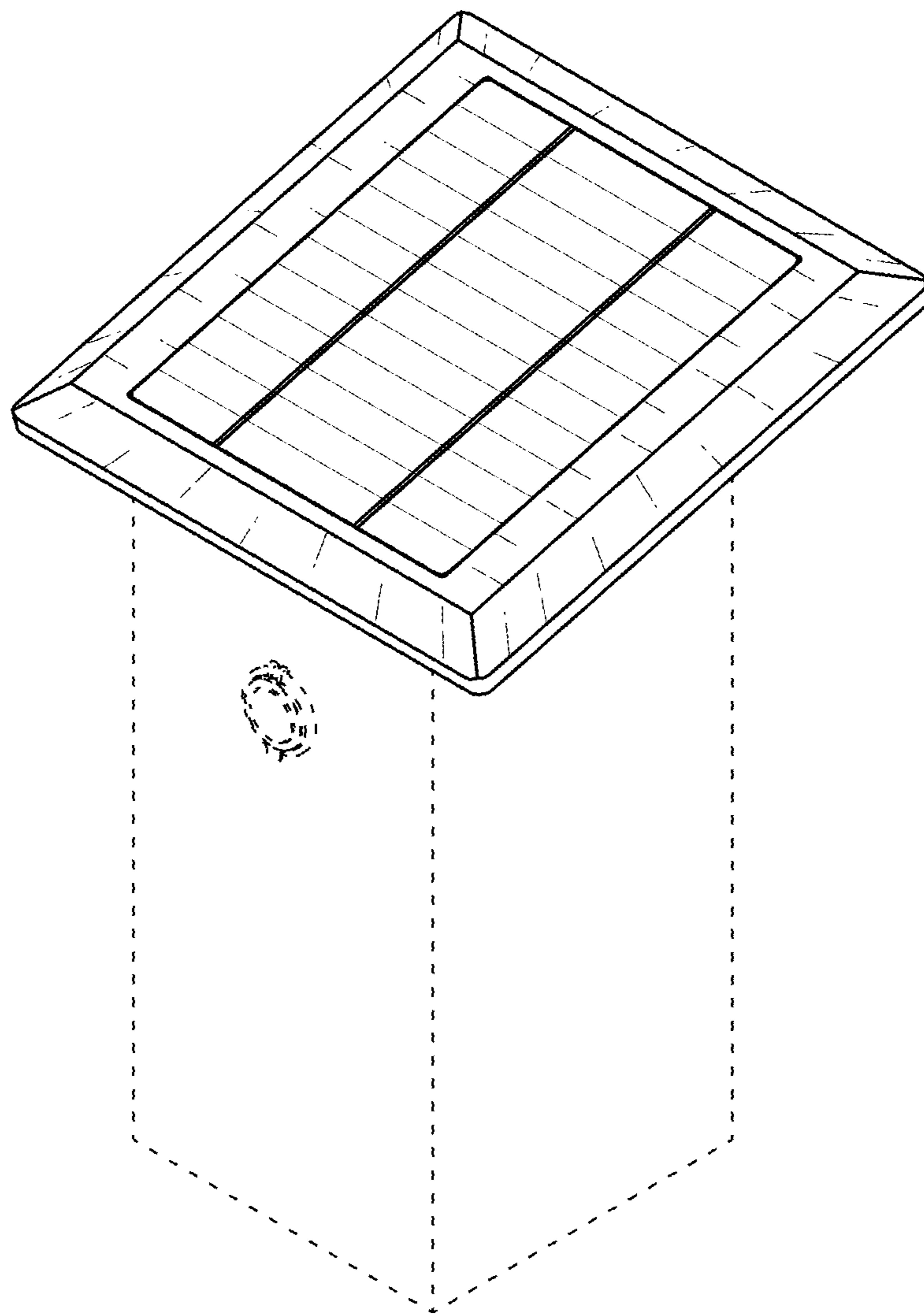


FIG. 1

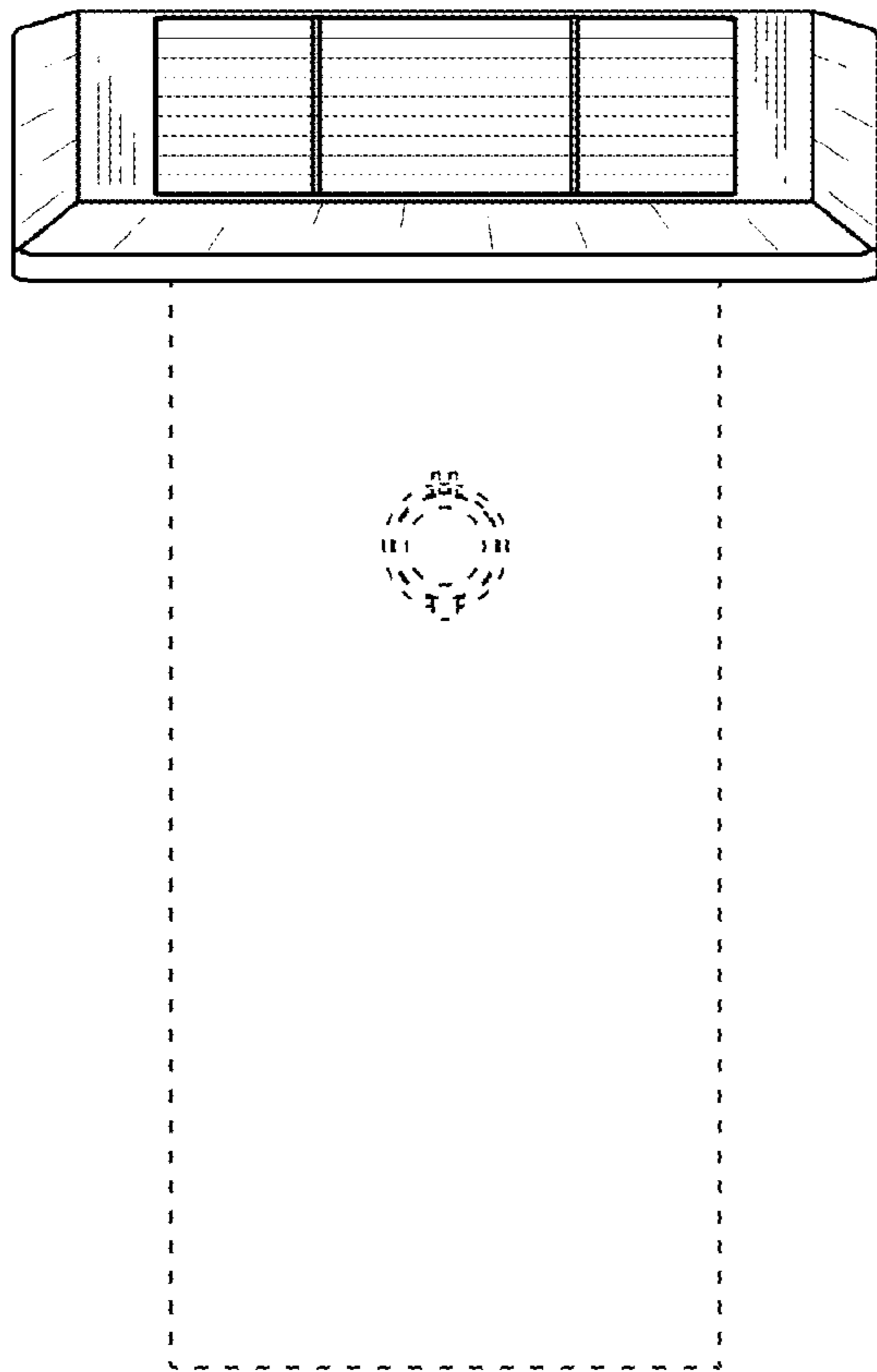


FIG. 2

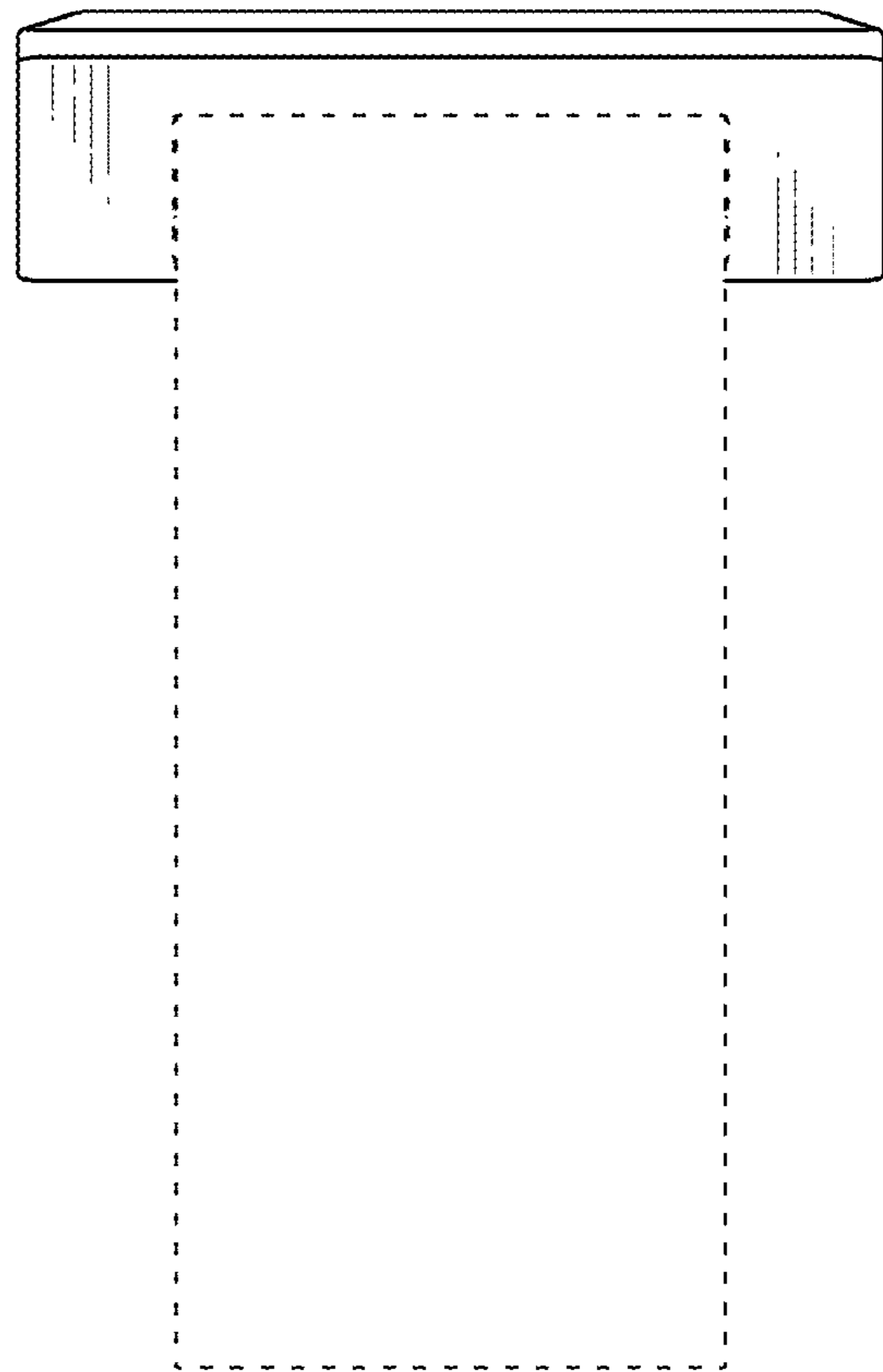


FIG. 3

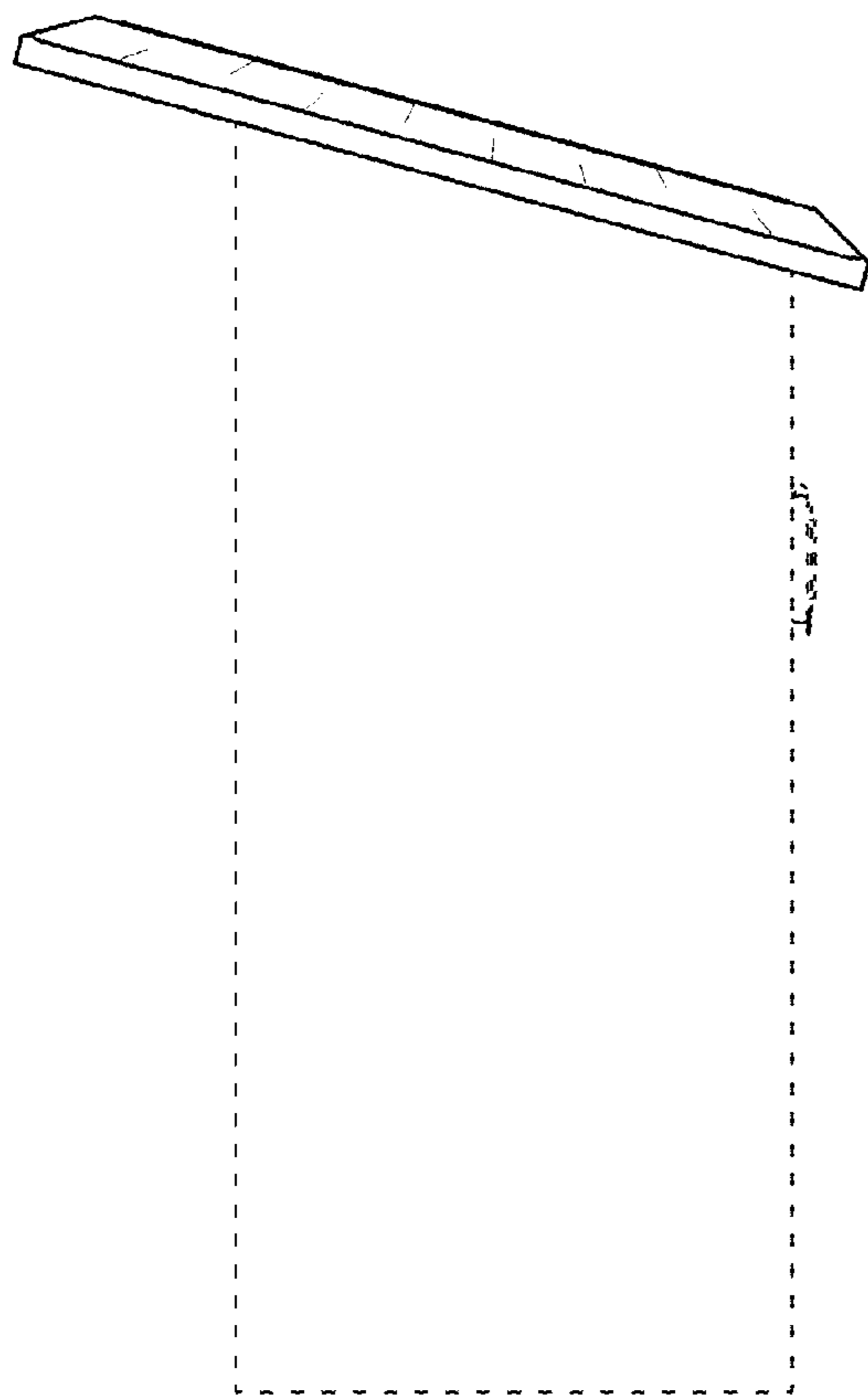


FIG. 4

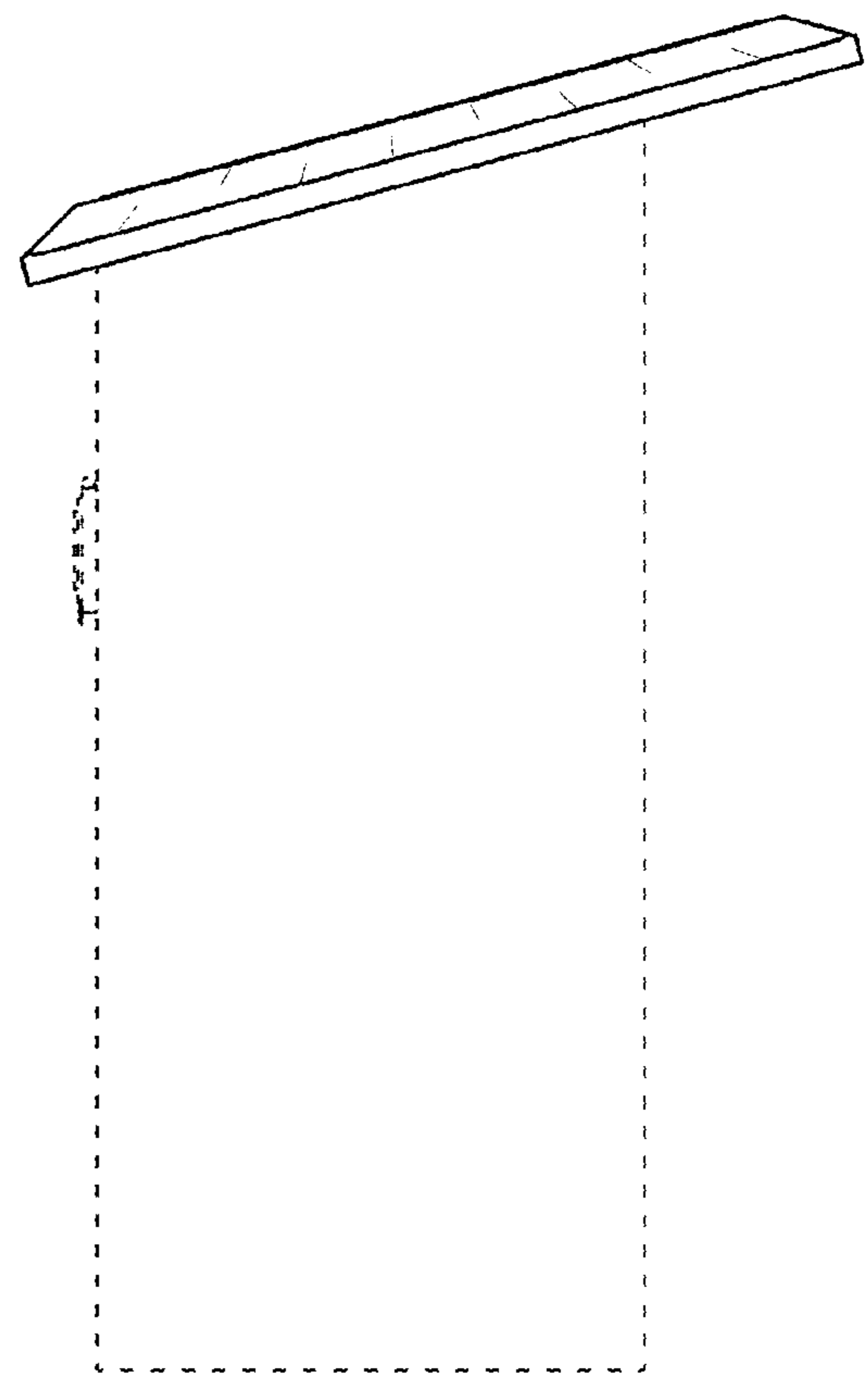


FIG. 5

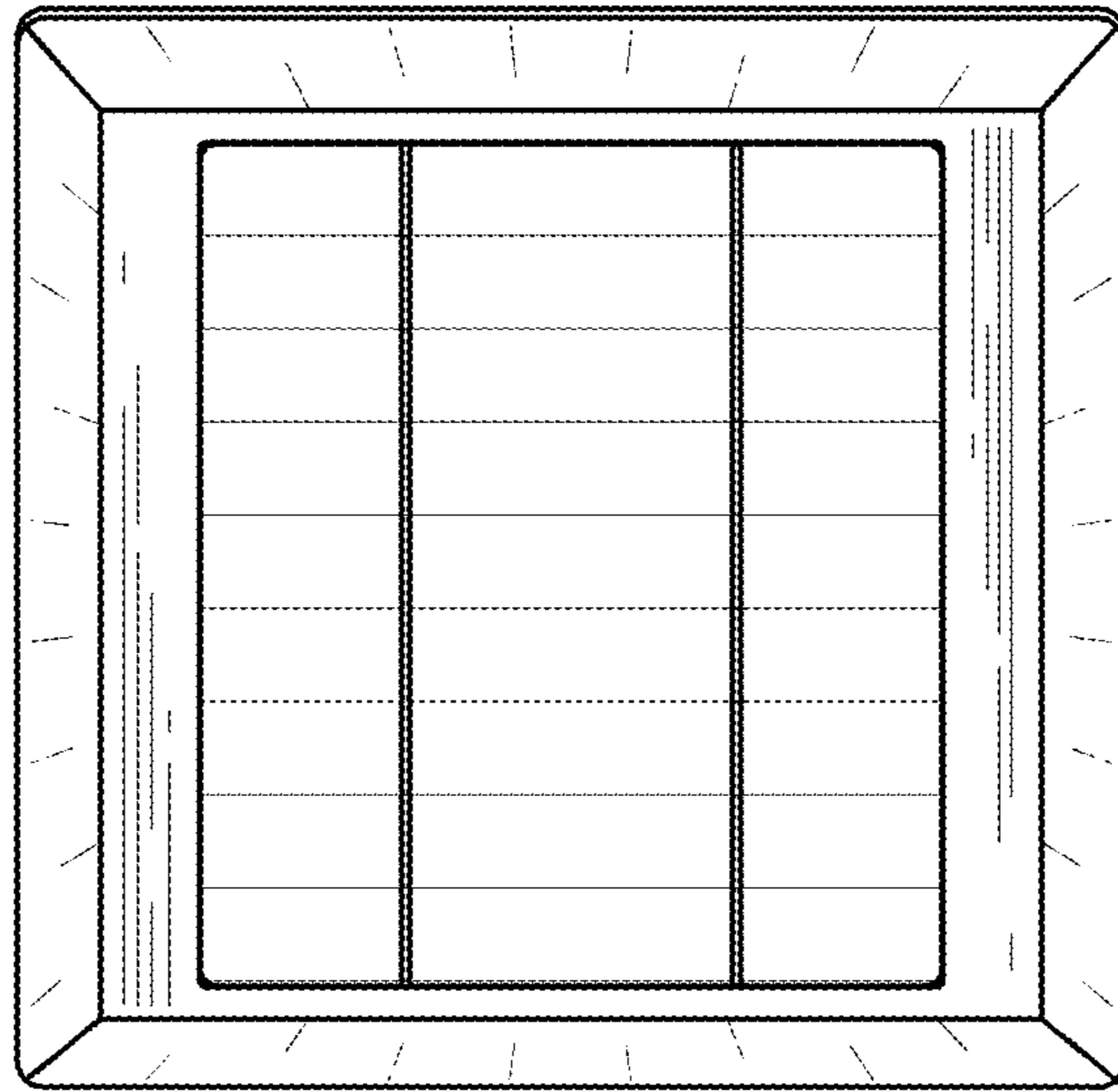


FIG. 6

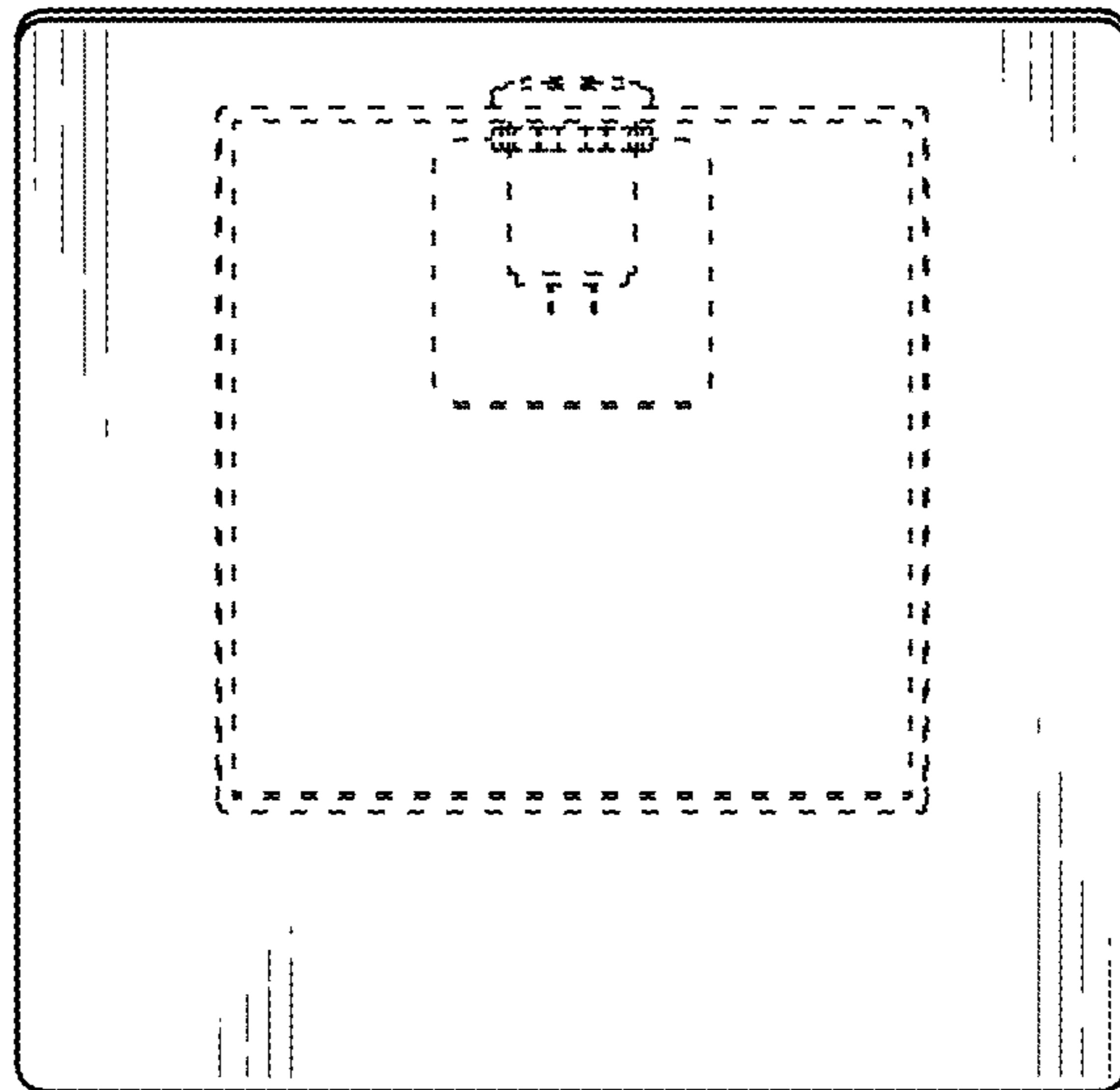


FIG. 7