



US00D887344S

(12) **United States Design Patent**  
**Ma et al.**

(10) **Patent No.:** **US D887,344 S**

(45) **Date of Patent:** **\*\* Jun. 16, 2020**

(54) **TIRE**

(71) Applicants: **Jingjing Ma**, Shandong Province (CN);  
**Mingming Zhao**, Qingdao (CN); **Xueyi Wang**, Qingdao (CN); **Wen Sun**, Laixi (CN)

(72) Inventors: **Jingjing Ma**, Shandong Province (CN);  
**Mingming Zhao**, Qingdao (CN); **Xueyi Wang**, Qingdao (CN); **Wen Sun**, Laixi (CN)

(\*\*) Term: **14 Years**

(21) Appl. No.: **29/525,528**

(22) Filed: **Apr. 30, 2015**

(51) **LOC (12) Cl.** ..... **12-15**

(52) **U.S. Cl.**  
USPC ..... **D12/597**

(58) **Field of Classification Search**  
USPC ..... D12/568-604, 900  
CPC ..... B60C 1/0016; B60C 11/0306; B60C 11/0302; B60C 3/06; B60C 9/17  
See application file for complete search history.

(56) **References Cited**

**U.S. PATENT DOCUMENTS**

D287,351 S \* 12/1986 Cain ..... D12/603  
D288,307 S \* 2/1987 Ono ..... D12/594

D318,831 S \* 8/1991 Guermadi ..... D12/597  
D340,014 S \* 10/1993 Grenie ..... D12/601  
D344,477 S \* 2/1994 Lardo ..... D12/597  
D656,893 S \* 4/2012 Kiwaki ..... D12/594  
D684,526 S \* 6/2013 Fu ..... D12/600

\* cited by examiner

*Primary Examiner* — Lakiya G Rogers

*Assistant Examiner* — John A Voytek

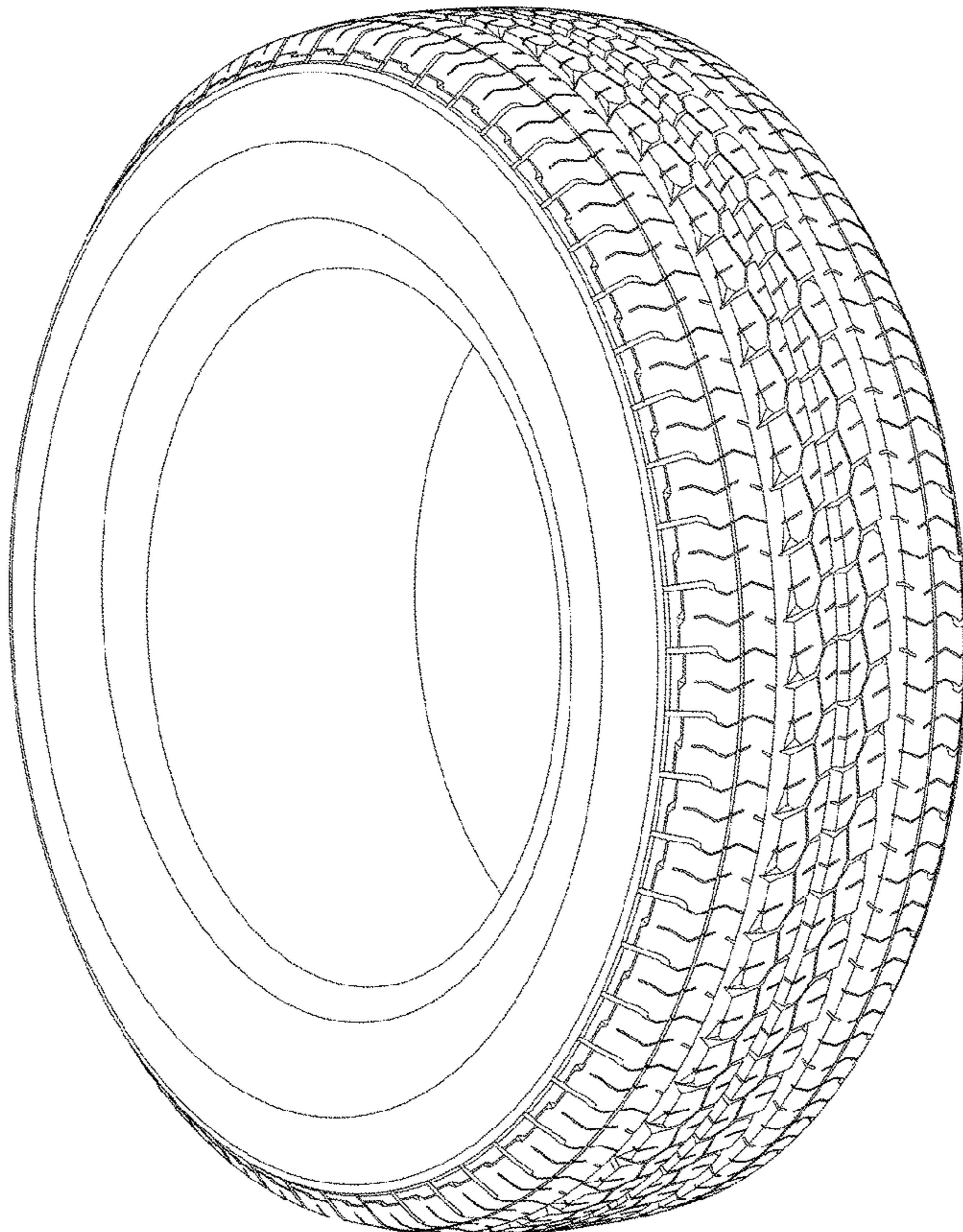
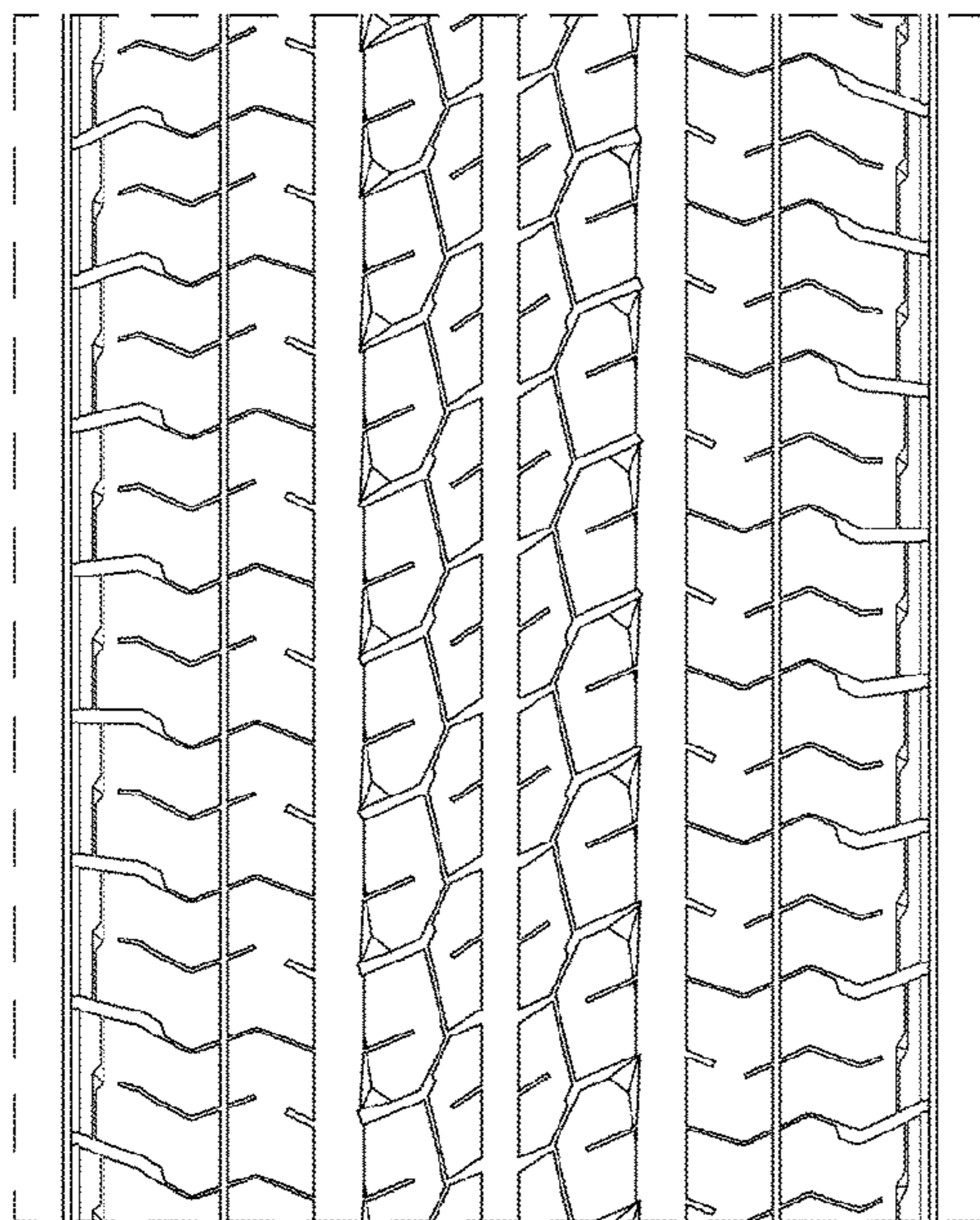
(57) **CLAIM**

The ornamental design for a tire, as shown and described.

**DESCRIPTION**

FIG. 1 is the front elevational view of a tire, for which the other sides, include rear, top and bottom elevational views being identical thereto;  
FIG. 2 is a left side elevational view thereof, the opposite side elevational view being identical thereto;  
FIG. 3 is an enlarged fragmentary top elevational view of the portion as defined by marker lines 3-3 in FIG. 1, thereof; and,  
FIG. 4 is a perspective view of a tire showing the new design, it being understood that the pattern repeats uniformly throughout the circumference of the tread.

**1 Claim, 4 Drawing Sheets**





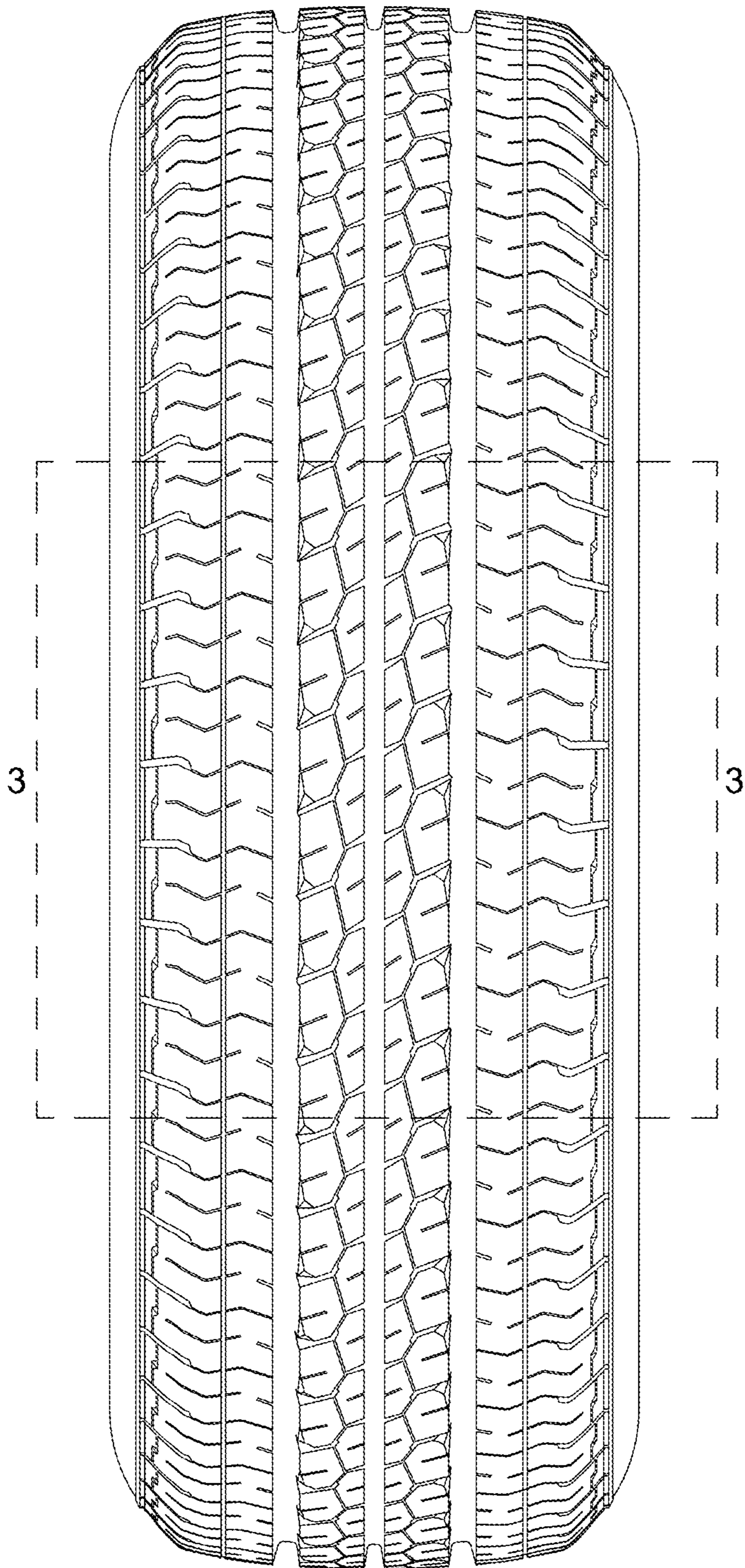


Fig. 1

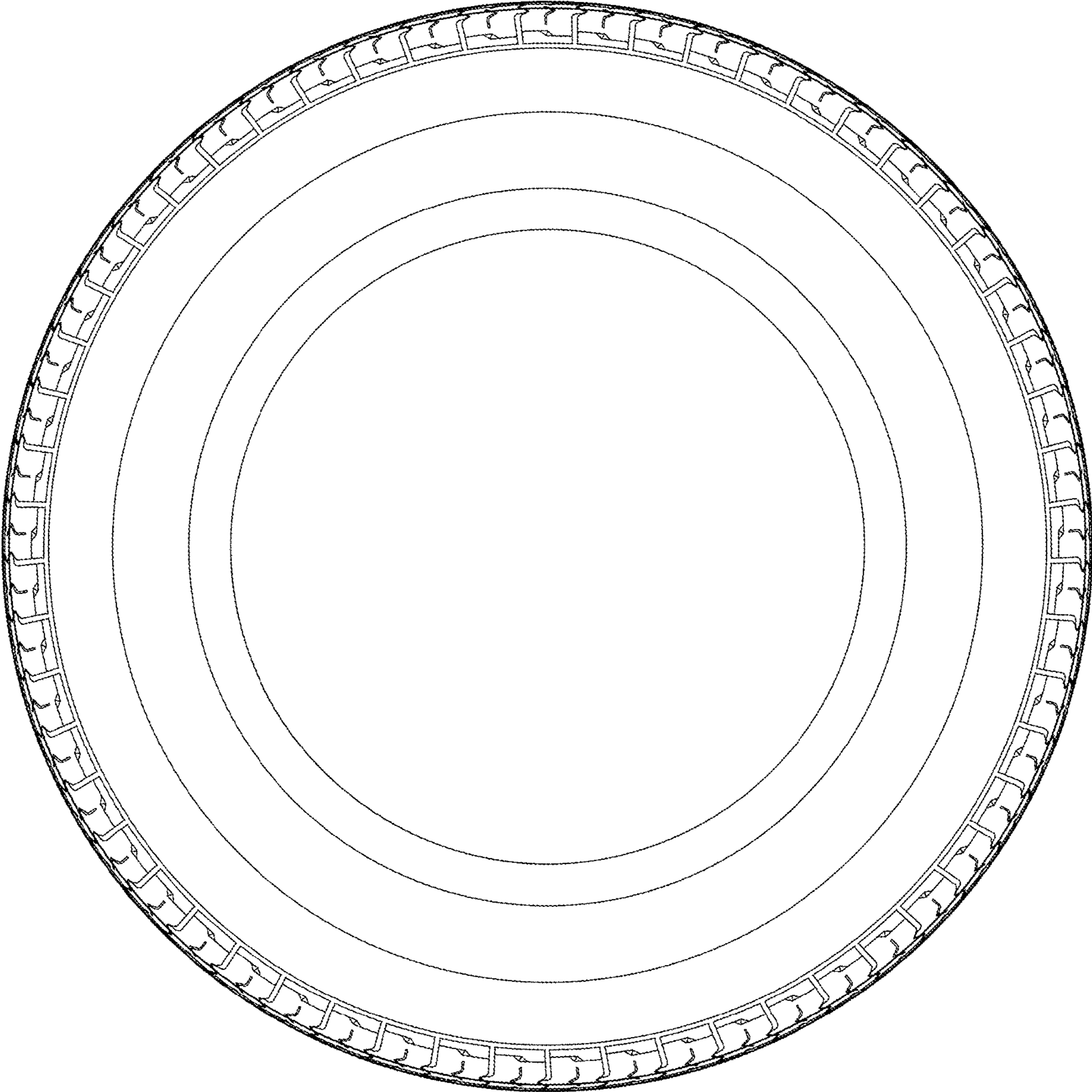


Fig. 2



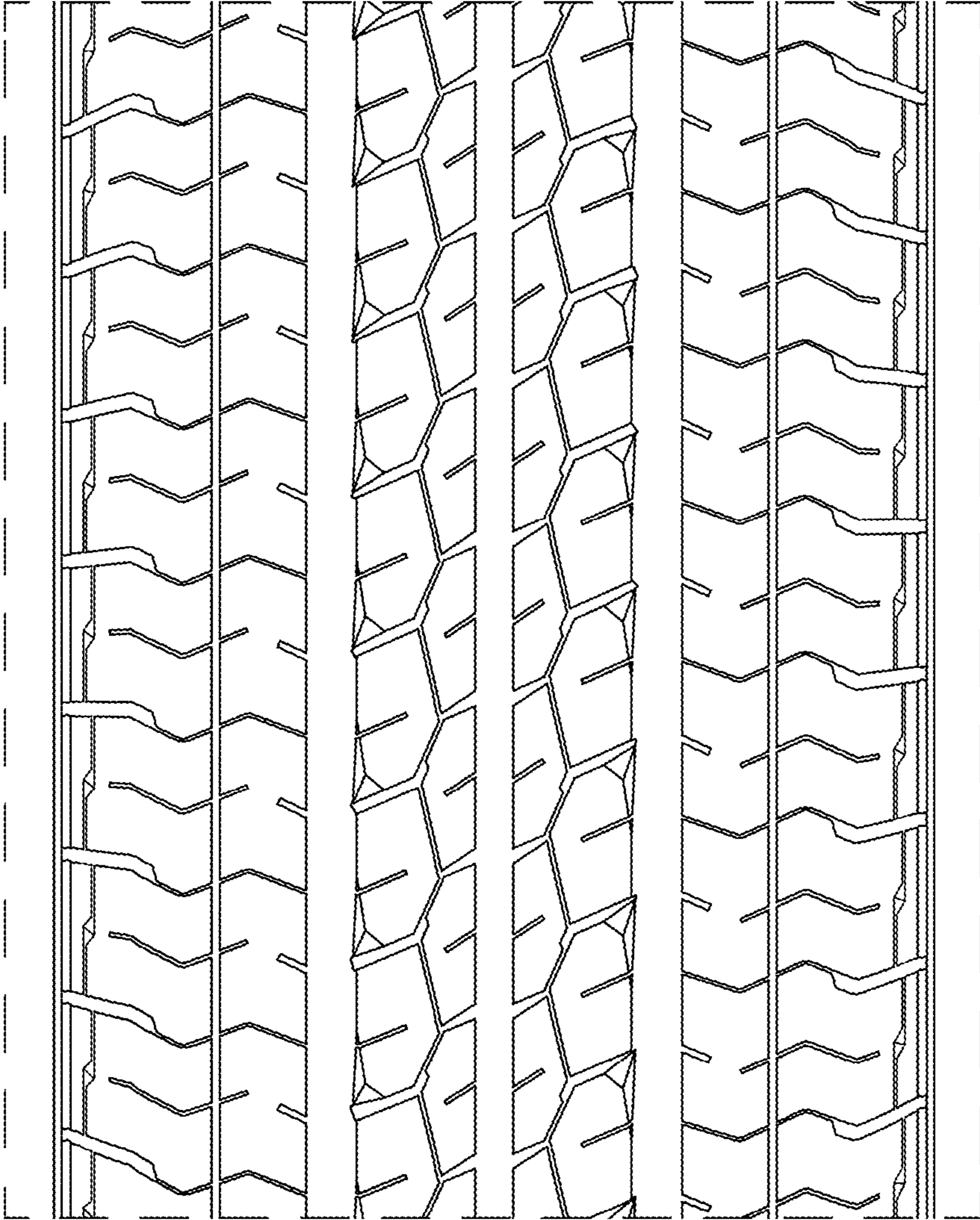


Fig. 3

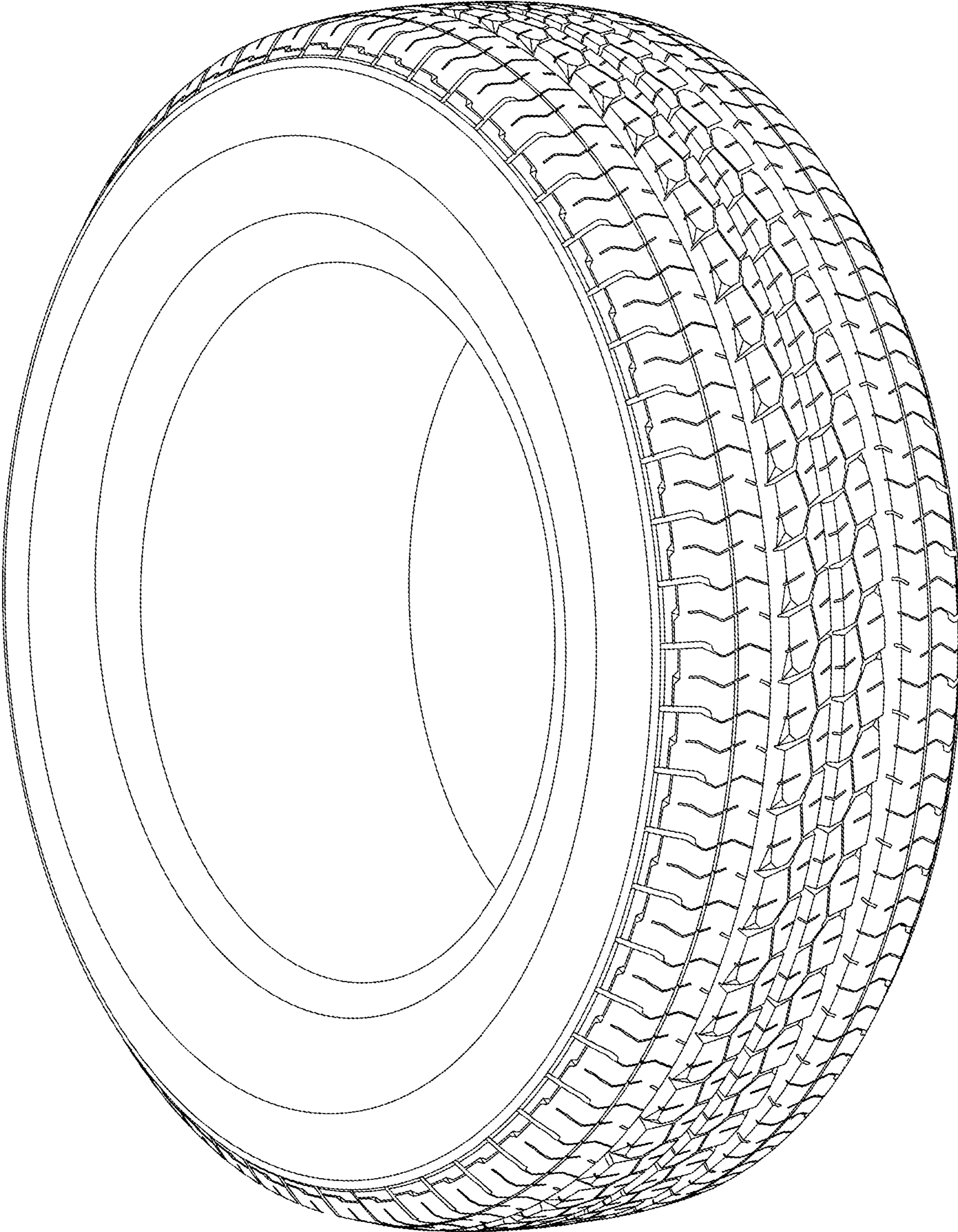


Fig. 4