



US00D887343S

(12) **United States Design Patent** (10) **Patent No.:** **US D887,343 S**
Hoshiba (45) **Date of Patent:** **** Jun. 16, 2020**

- (54) **AUTOMOBILE TIRE**
- (71) Applicant: **THE YOKOHAMA RUBBER CO., LTD.**, Minato-ku, Tokyo (JP)
- (72) Inventor: **Takashi Hoshiba**, Hiratsuka (JP)
- (73) Assignee: **THE YOKOHAMA RUBBER CO., LTD.**, Minato-ku, Tokyo (JP)
- (**) Term: **15 Years**
- (21) Appl. No.: **29/687,108**
- (22) Filed: **Apr. 10, 2019**
- (30) **Foreign Application Priority Data**
- Oct. 10, 2018 (JP) 2018-022219
- (51) **LOC (12) Cl.** **12-15**
- (52) **U.S. Cl.**
- USPC **D12/523**
- (58) **Field of Classification Search**
- USPC D12/519, 521, 522, 523, 527, 528, 531, D12/532
- CPC B60C 3/06; B60C 9/17; B60C 11/0304
- See application file for complete search history.

- (56) **References Cited**
- U.S. PATENT DOCUMENTS
- | | | | | | |
|------------|---|---------|----------|-------|---------|
| D601,939 S | * | 10/2009 | Fontaine | | D12/519 |
| D630,998 S | * | 1/2011 | Schmalix | | D12/519 |
| D634,261 S | * | 3/2011 | Schmalix | | D12/519 |
| D648,668 S | * | 11/2011 | Kujime | | D12/519 |
| D743,872 S | * | 11/2015 | Huang | | D12/519 |
| D758,954 S | * | 6/2016 | Albouy | | D12/518 |

- | | | | | | |
|------------|---|--------|-------------|-------|---------|
| D761,716 S | * | 7/2016 | Albouy | | D12/518 |
| D786,773 S | * | 5/2017 | Raatikainen | | D12/519 |
| D786,776 S | * | 5/2017 | Aoki | | D12/521 |
| D795,163 S | * | 8/2017 | Digman | | D12/519 |
| D807,279 S | * | 1/2018 | Hung | | D12/519 |
| D828,280 S | * | 9/2018 | Tae Min | | D12/519 |
| D872,684 S | * | 1/2020 | Kawagoe | | D12/521 |

* cited by examiner

Primary Examiner — Robert M. Spear

(74) Attorney, Agent, or Firm — Banner & Witcoff, Ltd.

(57) **CLAIM**

The ornamental design for an automobile tire, as shown and described.

DESCRIPTION

FIG. 1 is a perspective view of an automobile tire showing my design;

FIG. 2 is a front view thereof;

FIG. 3 is a rear view thereof;

FIG. 4 is a right side view thereof;

FIG. 5 is a left side view thereof;

FIG. 6 is a top view thereof;

FIG. 7 is a bottom view thereof;

FIG. 8 is a partially enlarged view of a portion defined by lines 8-8 shown in FIG. 1;

FIG. 9 is a partially enlarged view of a portion defined by lines 9-9 shown in FIG. 2; and,

FIG. 10 is a cross sectional view of a portion defined by lines 10-10 shown in FIG. 9.

In the drawings, the broken lines depict environmental subject matter only and form no part of the claimed design. The dot and dashed lines represents a boundary between the claimed portion and the non-claimed portion.

1 Claim, 10 Drawing Sheets

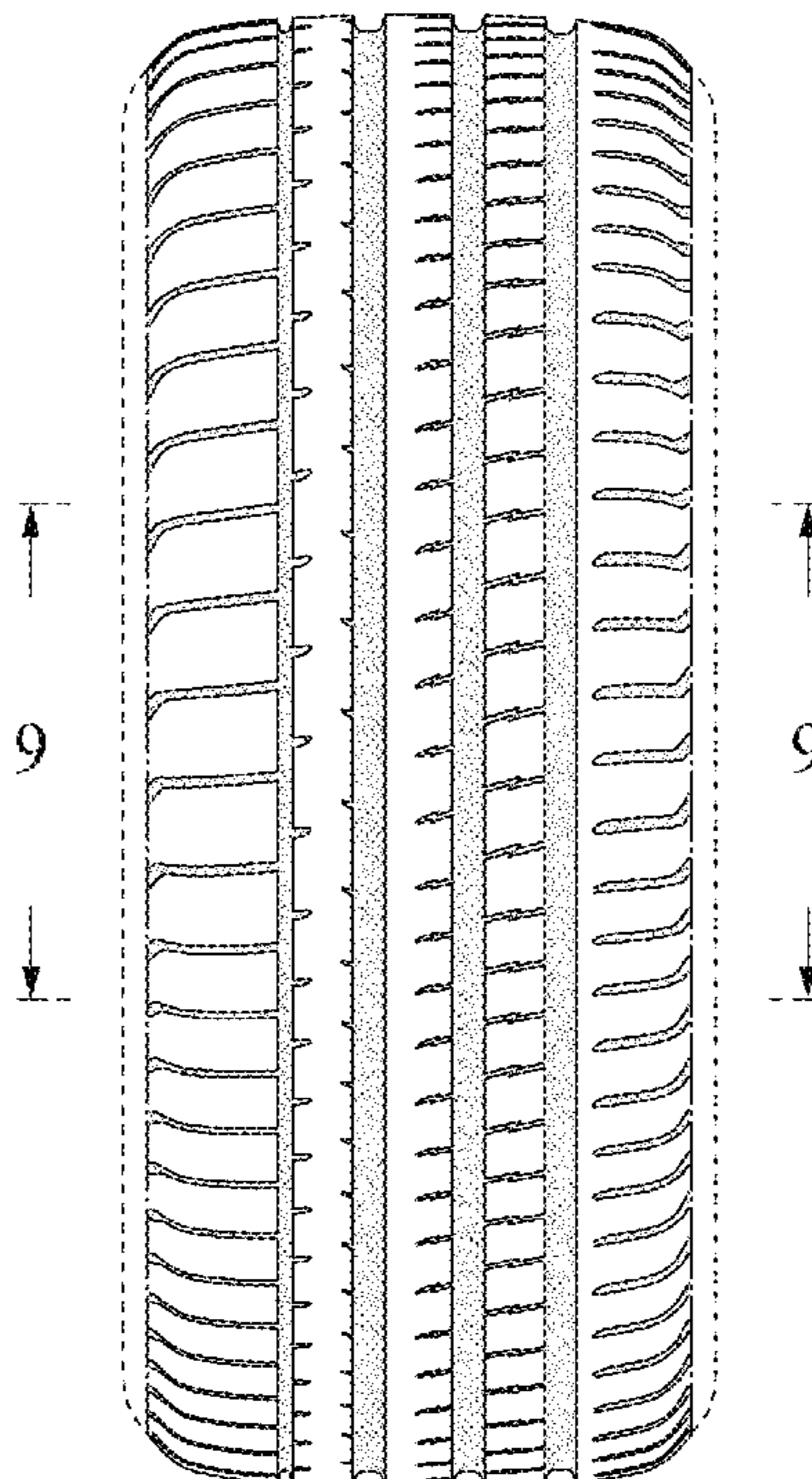


FIG. 1

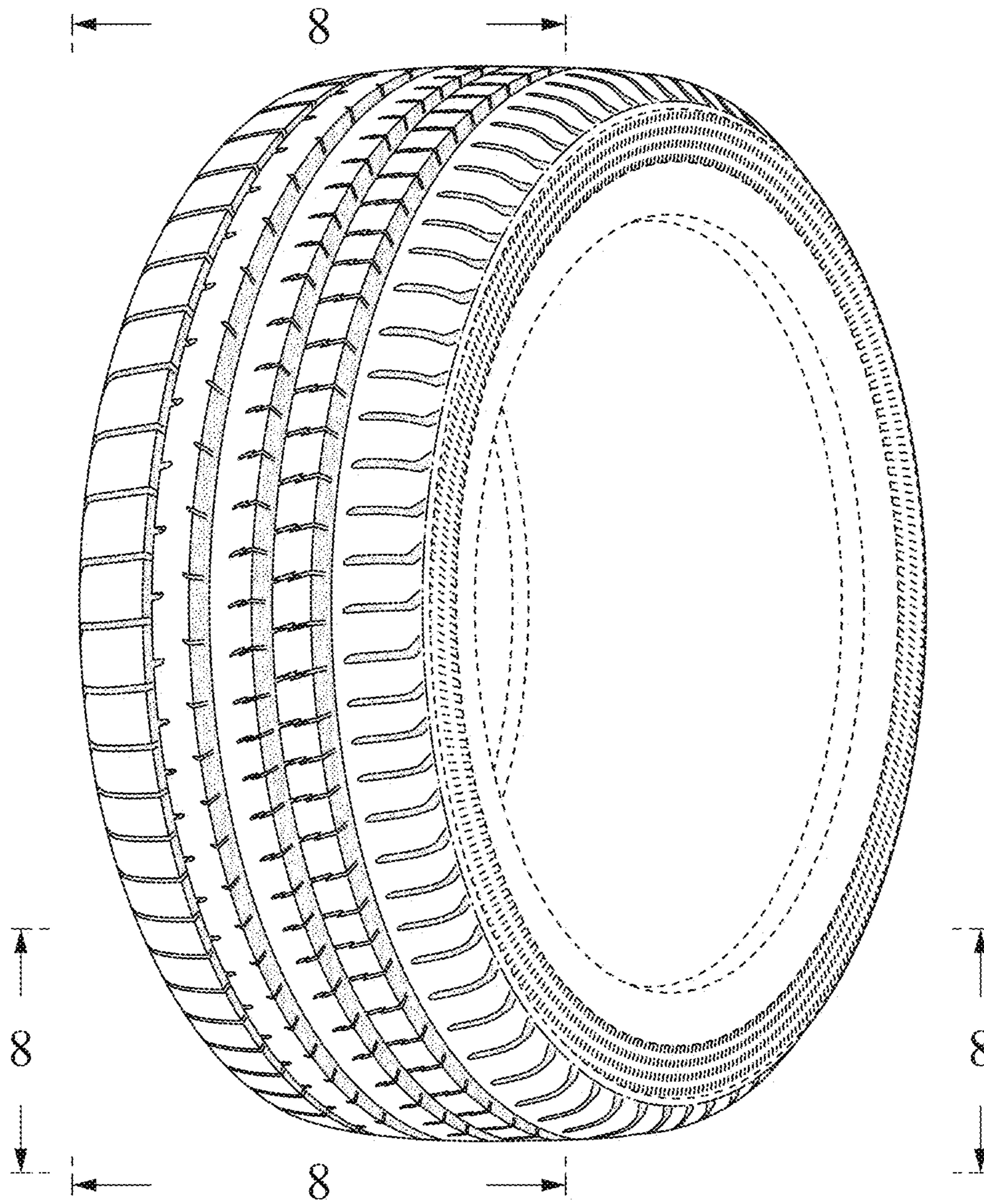


FIG. 2

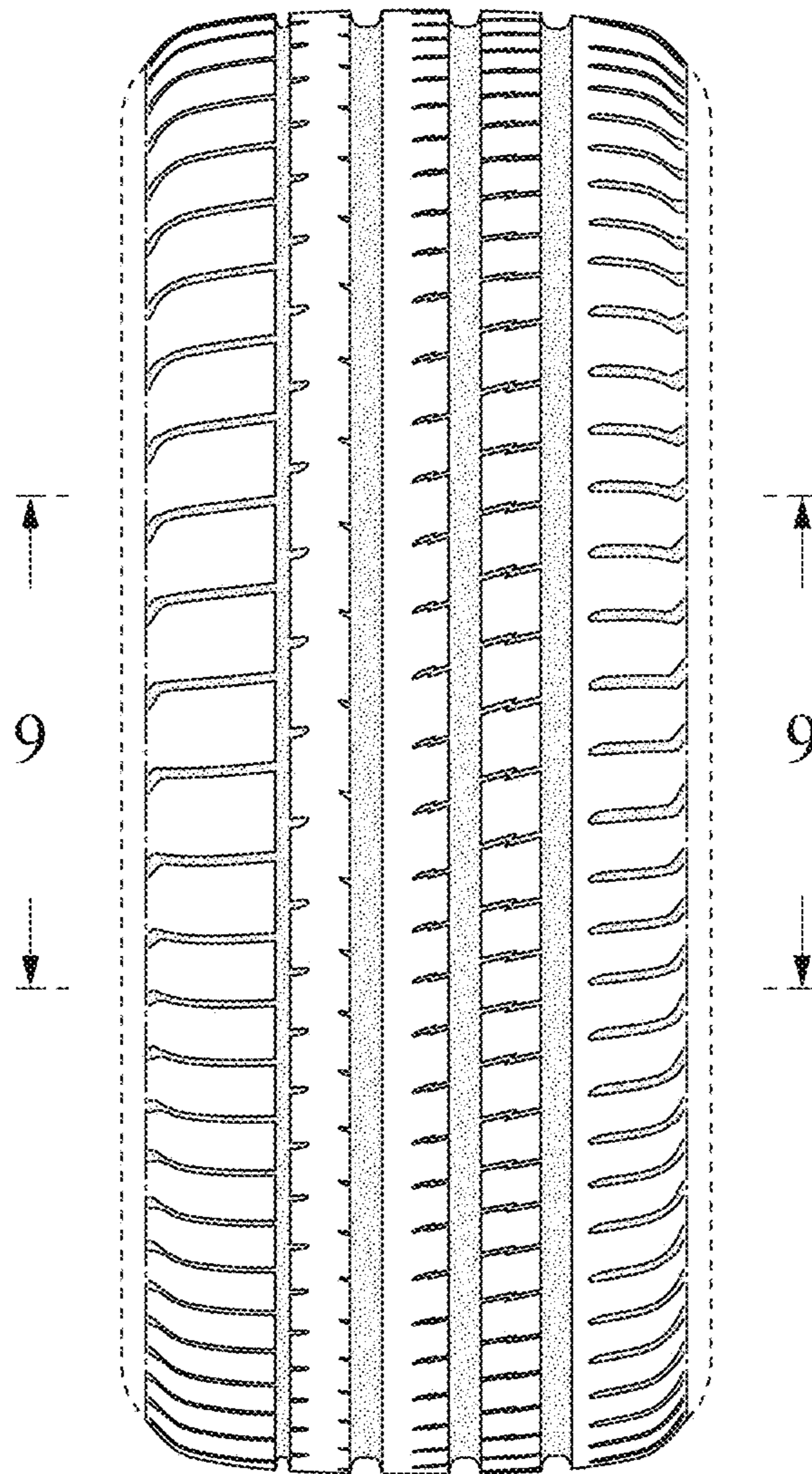


FIG. 3

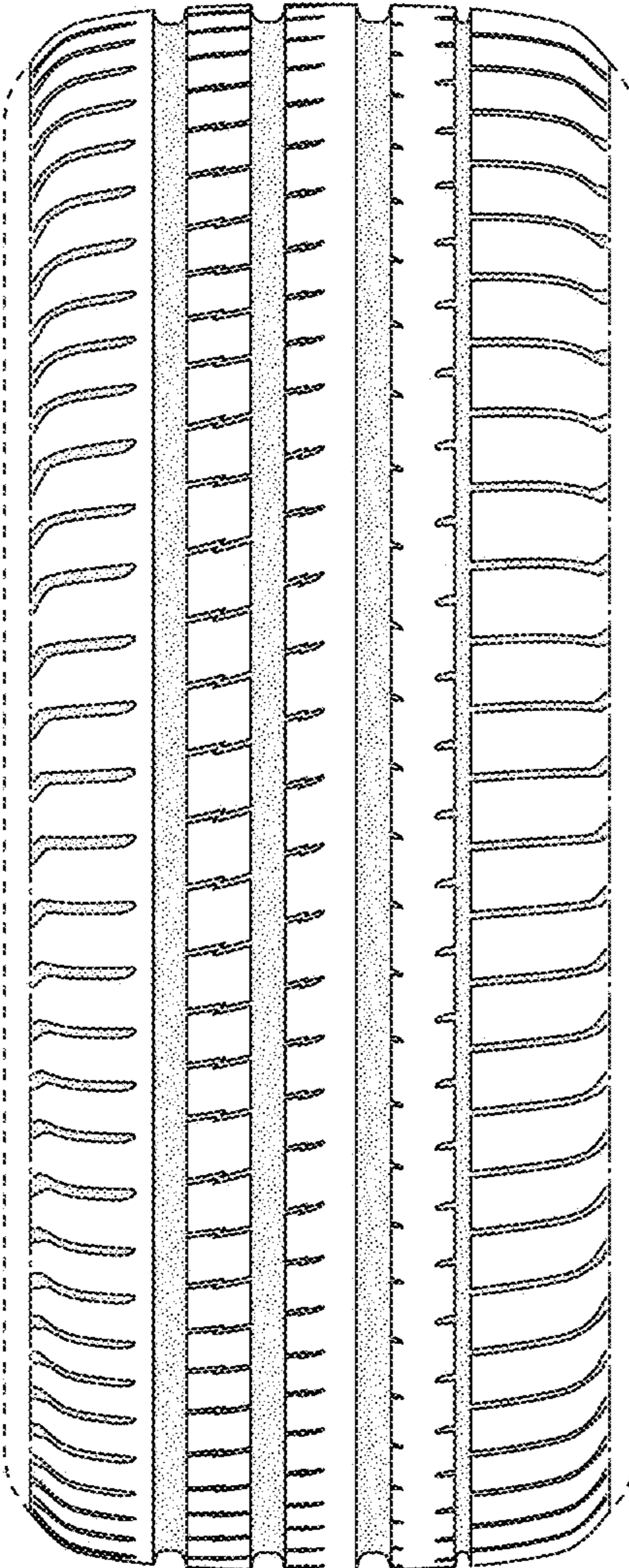


FIG. 4

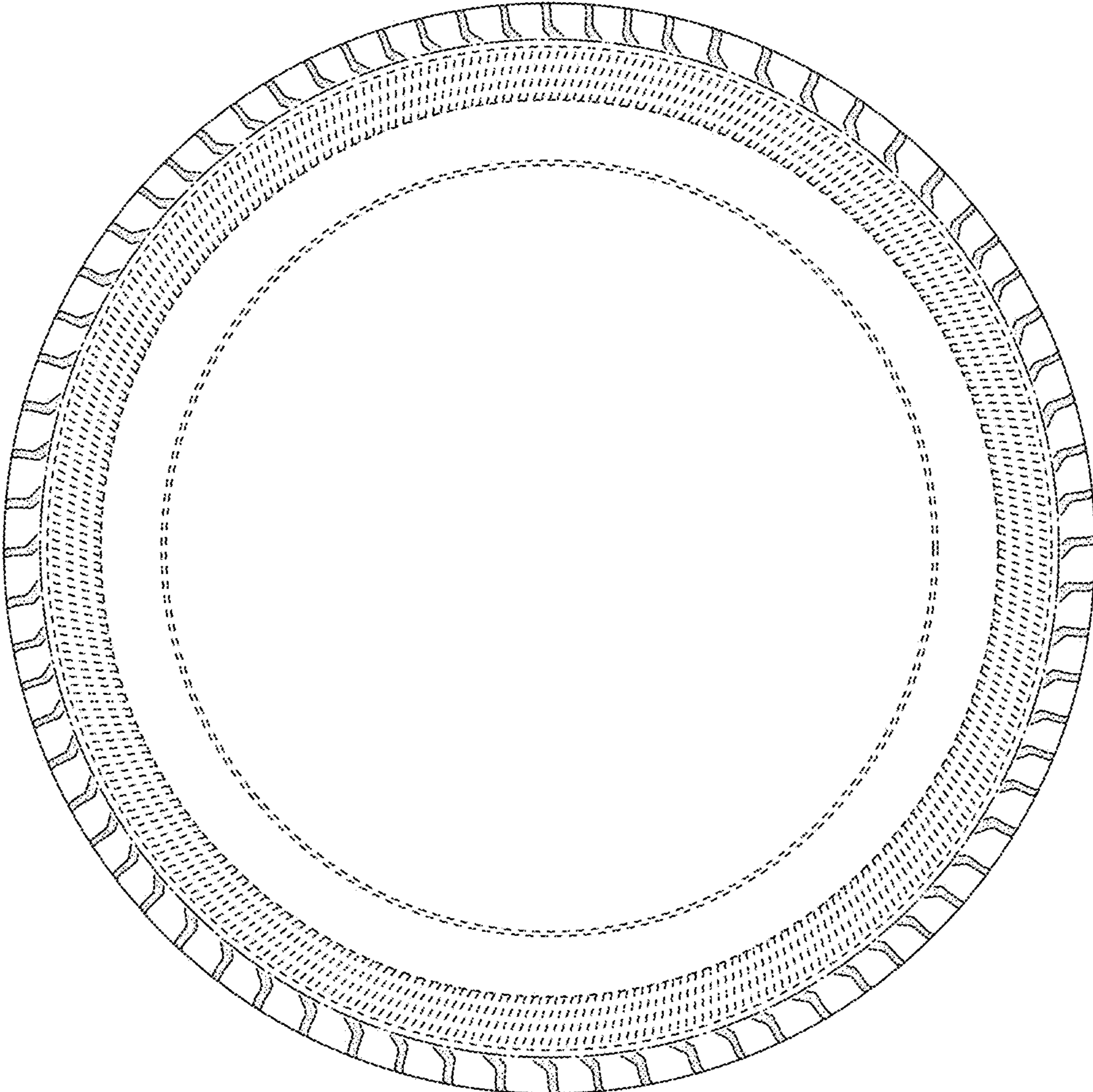


FIG. 5

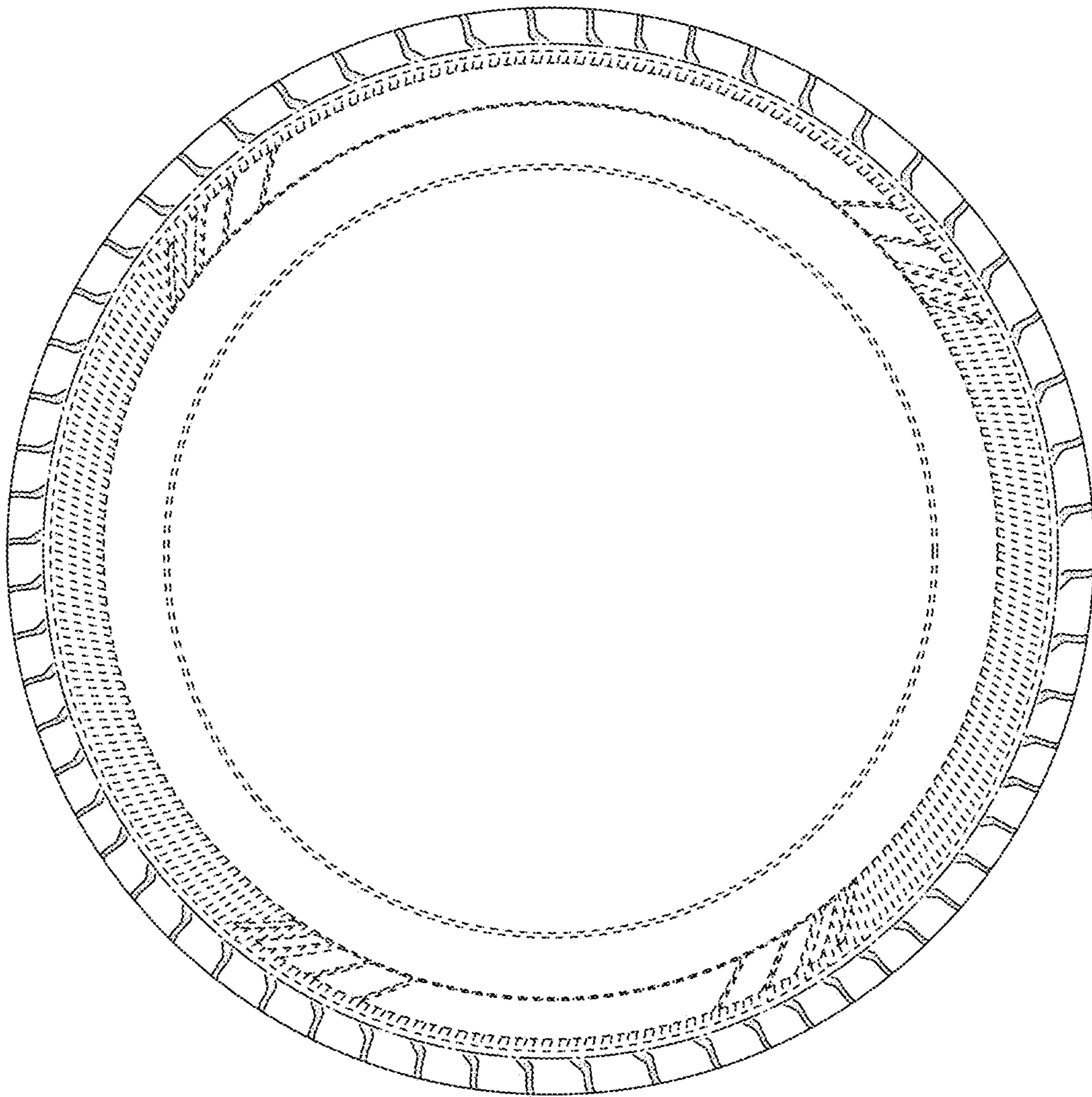


FIG. 6

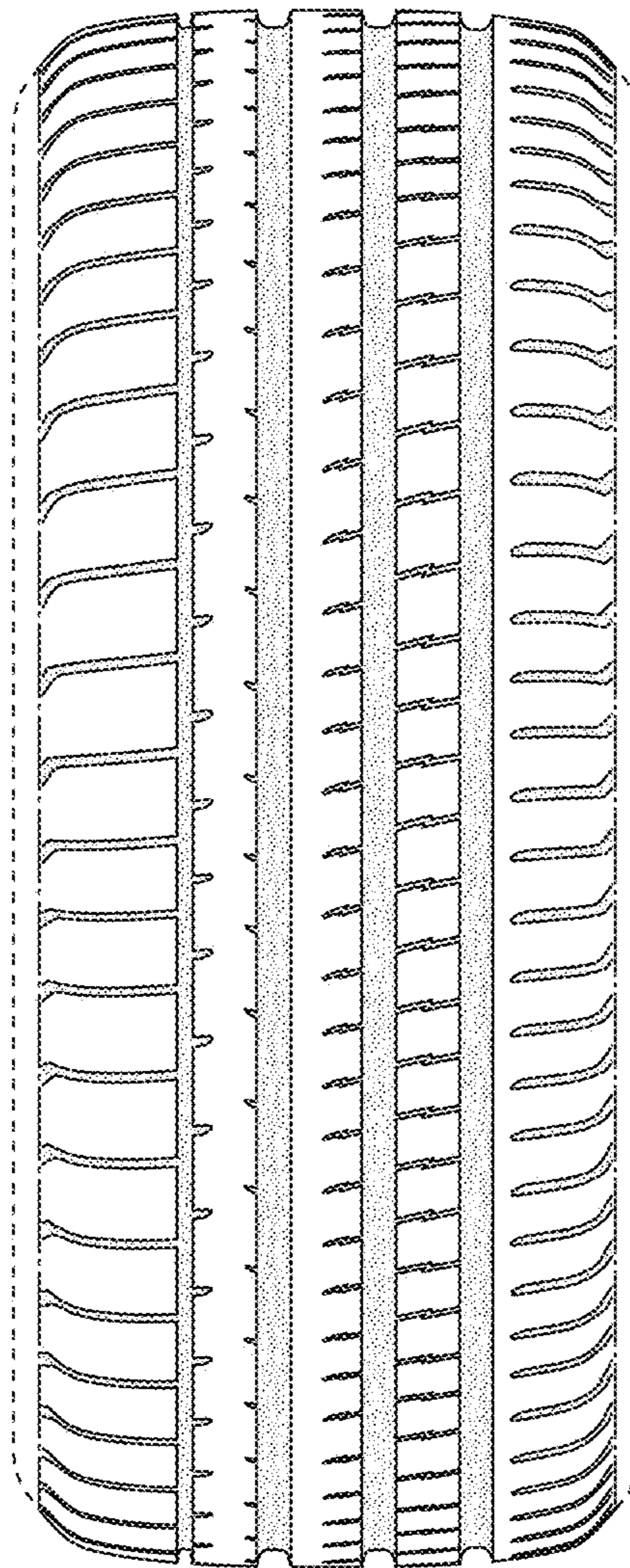


FIG. 7

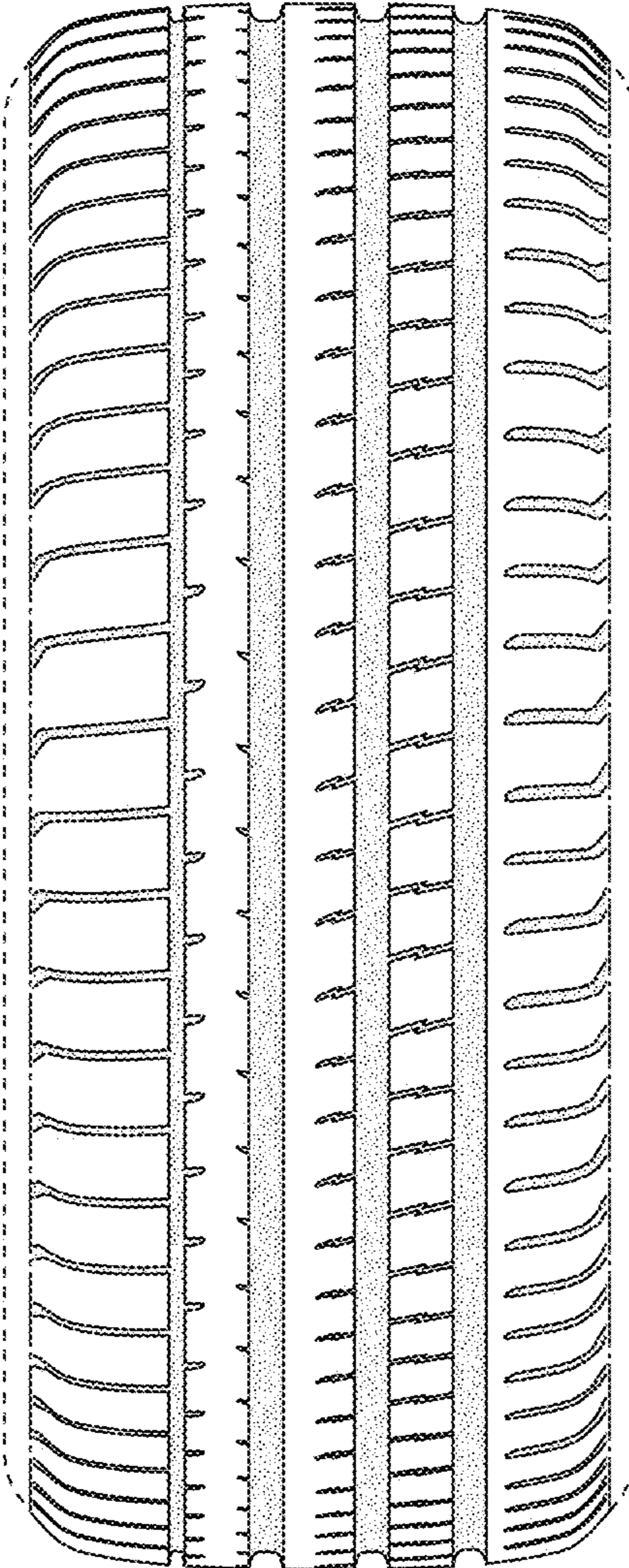


FIG. 8

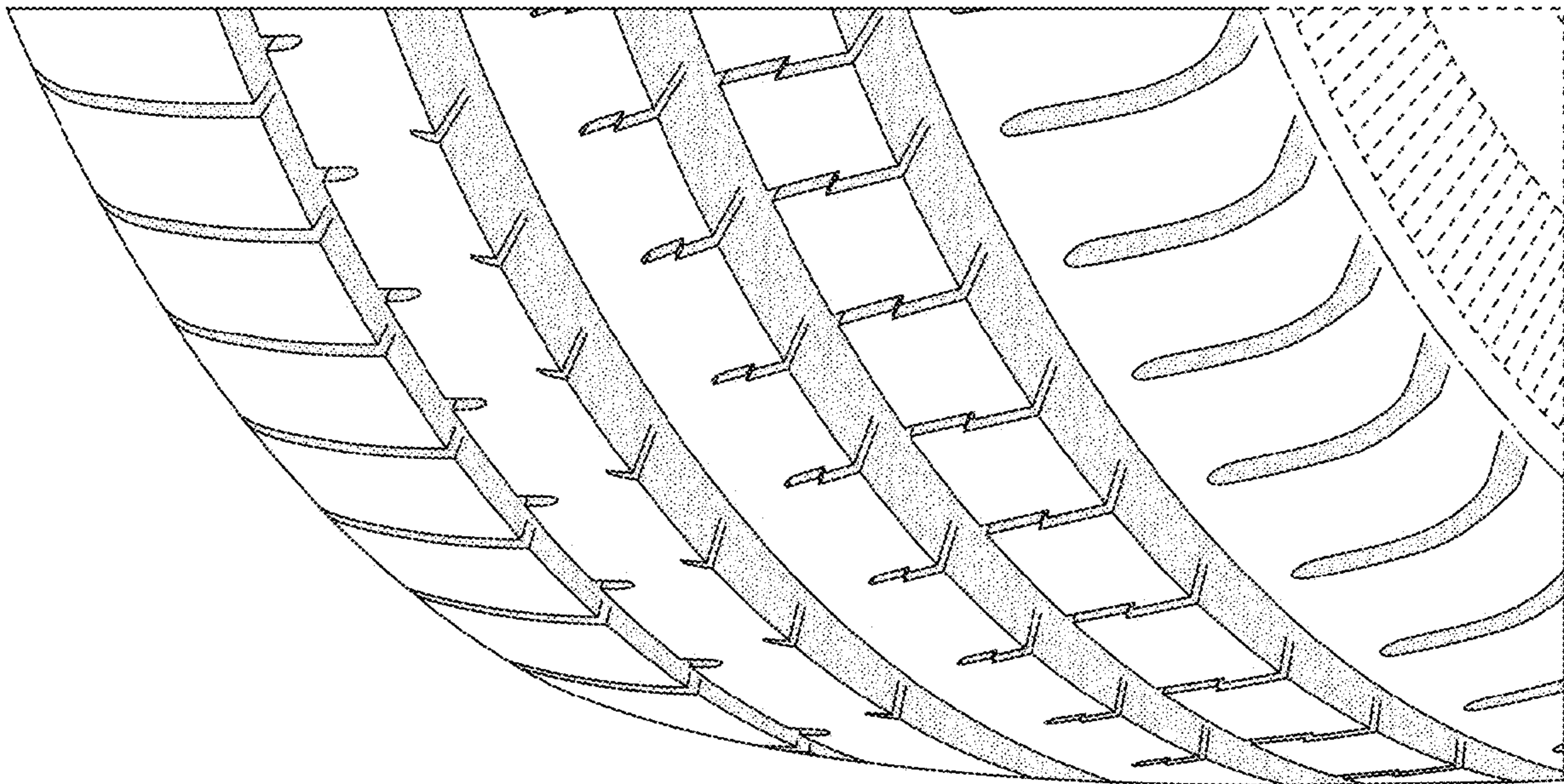


FIG. 9

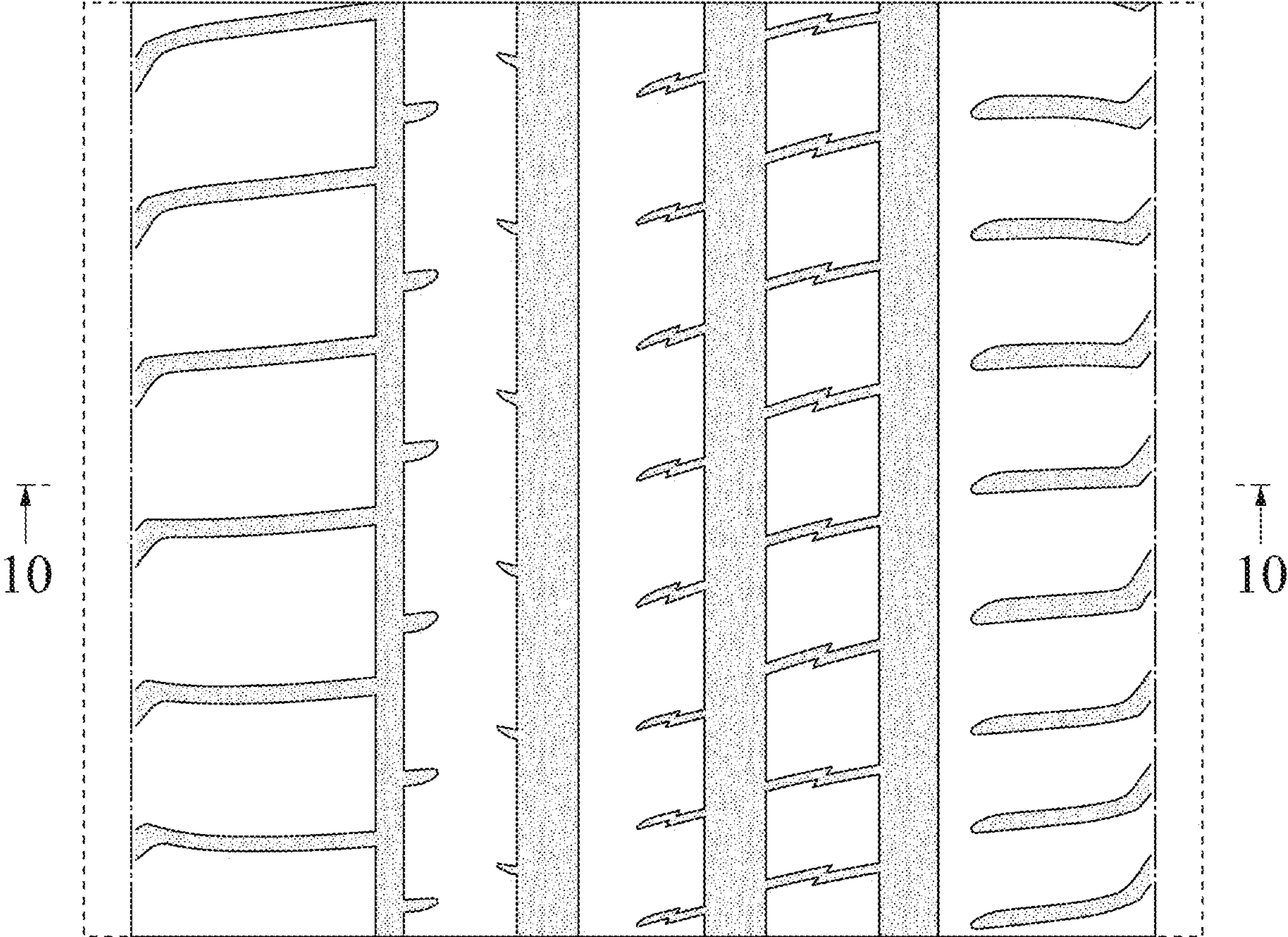


FIG. 10

