



US00D887341S

(12) **United States Design Patent** (10) **Patent No.:** **US D887,341 S**
Tsunekawa et al. (45) **Date of Patent:** **** Jun. 16, 2020**

(54) **AUTOMOBILE TIRE**
(71) Applicant: **THE YOKOHAMA RUBBER CO., LTD.**, Minato-ku, Tokyo (JP)
(72) Inventors: **Daigen Tsunekawa**, Hiratsuka (JP); **Kenichi Sato**, Tokyo (JP)
(73) Assignee: **The Yokohama Rubber Co., LTD.**, Tokyo (JP)

(**) Term: **15 Years**
(21) Appl. No.: **29/670,320**

(22) Filed: **Nov. 15, 2018**

(30) **Foreign Application Priority Data**

May 17, 2018 (JP) 2018-010890

(51) **LOC (12) Cl.** **12-15**

(52) **U.S. Cl.**
USPC **D12/521**

(58) **Field of Classification Search**
USPC D12/521, 523, 604, 605
CPC B60C 11/11; B60C 2011/0386; B60C 2011/0388; B60C 2011/039
See application file for complete search history.

(56) **References Cited**

U.S. PATENT DOCUMENTS

| | | | |
|--------------|---------|---------------|---------|
| D489,318 S | 5/2004 | Buresh et al. | |
| D528,972 S | 9/2006 | Saito et al. | |
| D568,234 S * | 5/2008 | Shinohara | D12/521 |
| D586,733 S | 2/2009 | Shinohara | |
| D649,509 S * | 11/2011 | Allison | D12/521 |
| D713,325 S * | 9/2014 | Maxwell | D12/521 |
| D733,036 S * | 6/2015 | Kuwano | D12/521 |
| D737,752 S * | 9/2015 | Shondel | D12/521 |
| D757,636 S * | 5/2016 | Zhang | D12/521 |
| D782,959 S * | 4/2017 | Sareen | D12/521 |
| D794,542 S * | 8/2017 | Tahon | D12/528 |

| | | | |
|--------------|---------|-----------|---------|
| D798,227 S * | 9/2017 | Scheifele | D12/604 |
| D815,584 S * | 4/2018 | Hayashi | D12/521 |
| D816,588 S * | 5/2018 | Kwak | D12/521 |
| D817,258 S * | 5/2018 | Kikuchi | D12/521 |
| D819,548 S * | 6/2018 | Arai | D12/521 |
| D826,137 S * | 8/2018 | Mishima | D12/521 |
| D830,955 S * | 10/2018 | Yamaoka | D12/521 |

(Continued)

FOREIGN PATENT DOCUMENTS

| | | |
|----|---------------|---------|
| DE | 49900078-0001 | 8/1999 |
| JP | D1373918 S | 11/2009 |

(Continued)

Primary Examiner — Robert M. Spear

(74) *Attorney, Agent, or Firm* — RatnerPrestia

(57) **CLAIM**

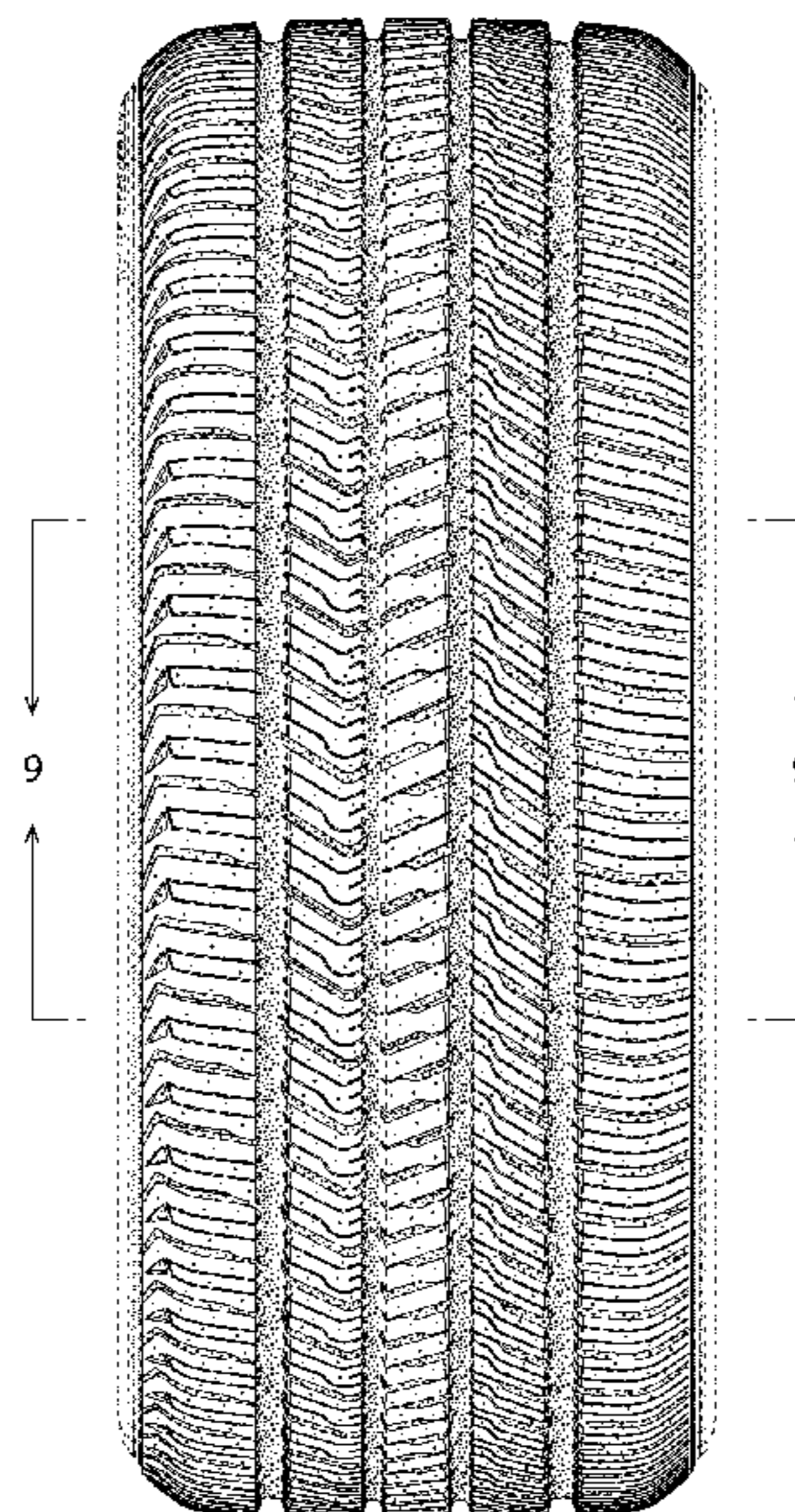
The ornamental design for an automobile tire, as shown and described.

DESCRIPTION

FIG. 1 is a left front perspective view of an automobile tire showing our new design;
FIG. 2 is a right front perspective view thereof;
FIG. 3 is a front view thereof; top plan and bottom plan views are the same as the front view;
FIG. 4 is a rear view thereof;
FIG. 5 is a left side view thereof;
FIG. 6 is a right side view thereof;
FIG. 7 is an enlarged fragmental left front perspective view taken along lines 7-7 in FIG. 1;
FIG. 8 is an enlarged fragmental right front perspective view taken along lines 8-8 in FIG. 2; and,
FIG. 9 is an enlarged fragmental front view taken along lines 9-9 in FIG. 3.

The dashed broken lines in the drawings are for the purpose of illustrating unclaimed portions of the tire and form no part of the claimed design.

1 Claim, 8 Drawing Sheets



(56)

References Cited

U.S. PATENT DOCUMENTS

| | | | | |
|------------|---|--------|----------------|---------|
| D843,310 S | * | 3/2019 | Yamaoka | D12/521 |
| D847,726 S | * | 5/2019 | Maggelet | D12/521 |
| D854,489 S | * | 7/2019 | Park | D12/521 |
| D856,267 S | * | 8/2019 | Park | D12/521 |

FOREIGN PATENT DOCUMENTS

| | | |
|----|--------------|--------|
| JP | D1383755 S | 3/2010 |
| JP | D1448563 S | 8/2012 |
| JP | D1448776 S | 8/2012 |
| JP | D1476085 S | 8/2013 |
| JP | 2014148218 A | 8/2014 |
| WO | DM030090 | 9/1994 |

* cited by examiner

FIG. 1

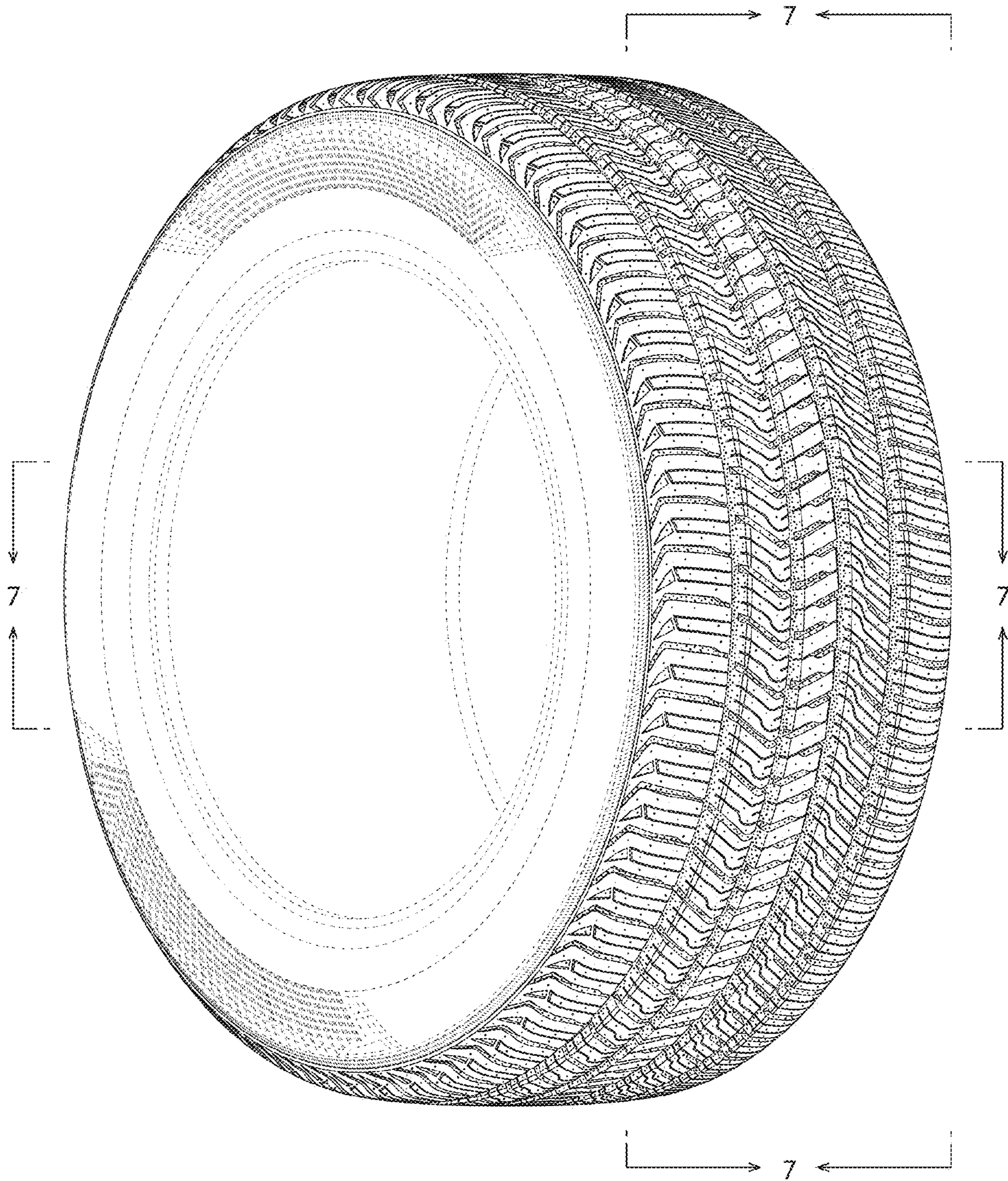


FIG.2

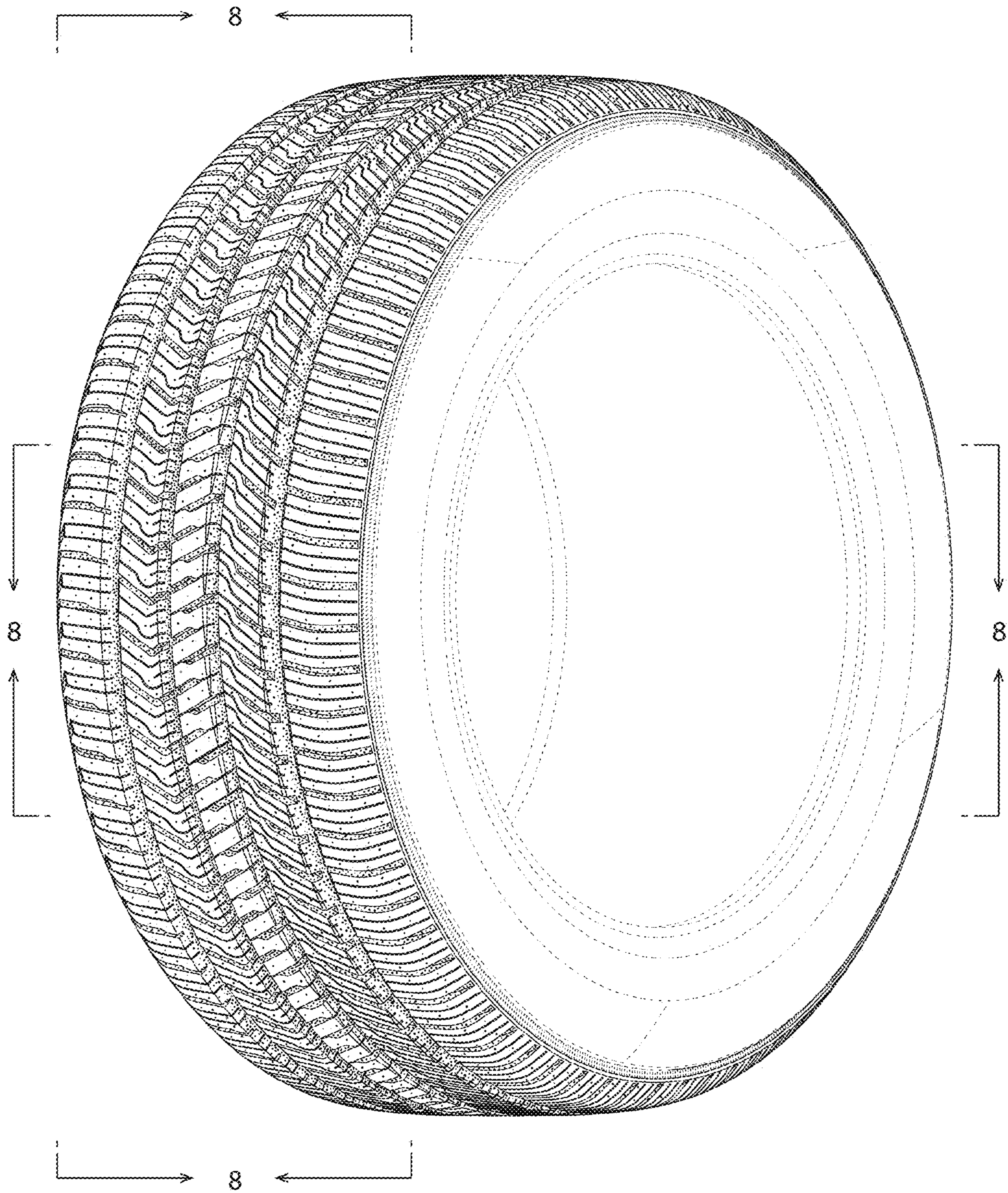


FIG.3

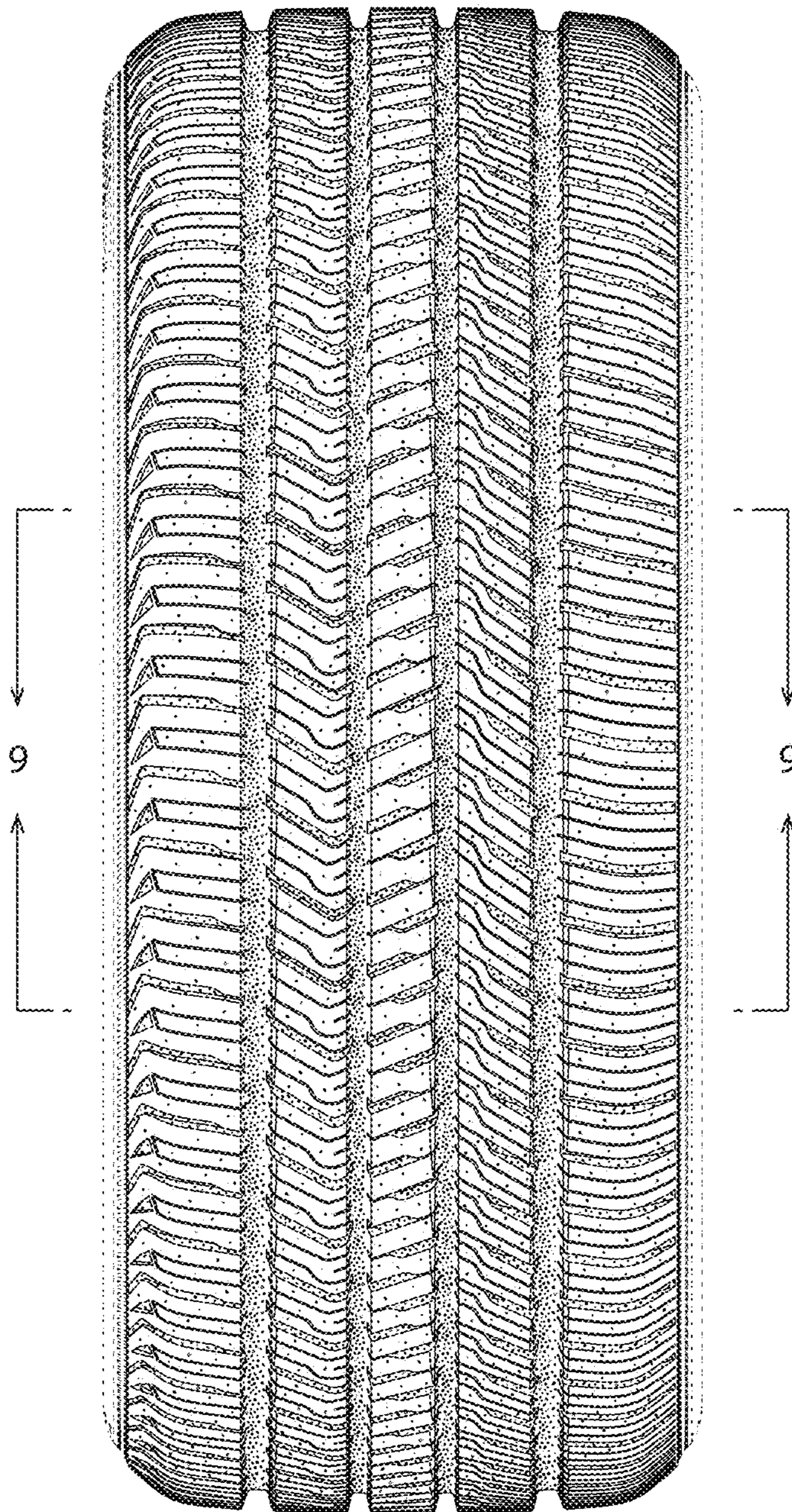


FIG.4

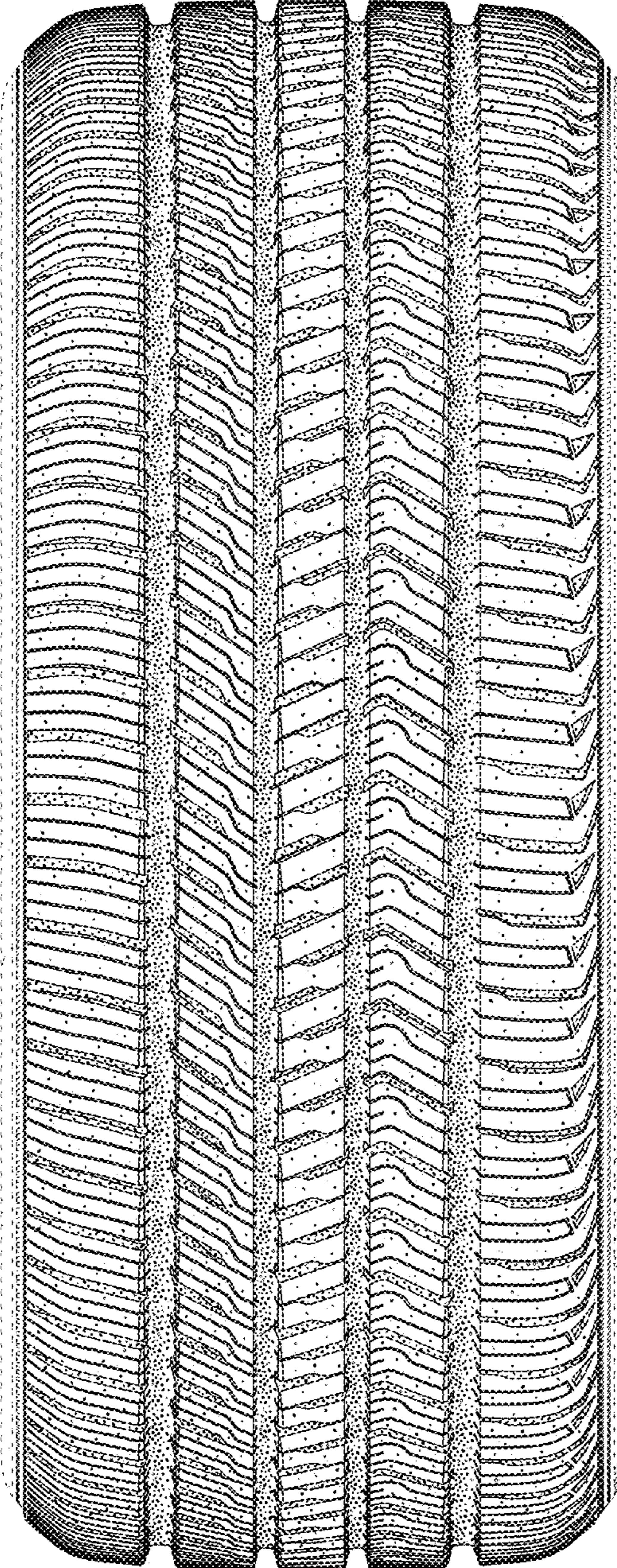


FIG.5

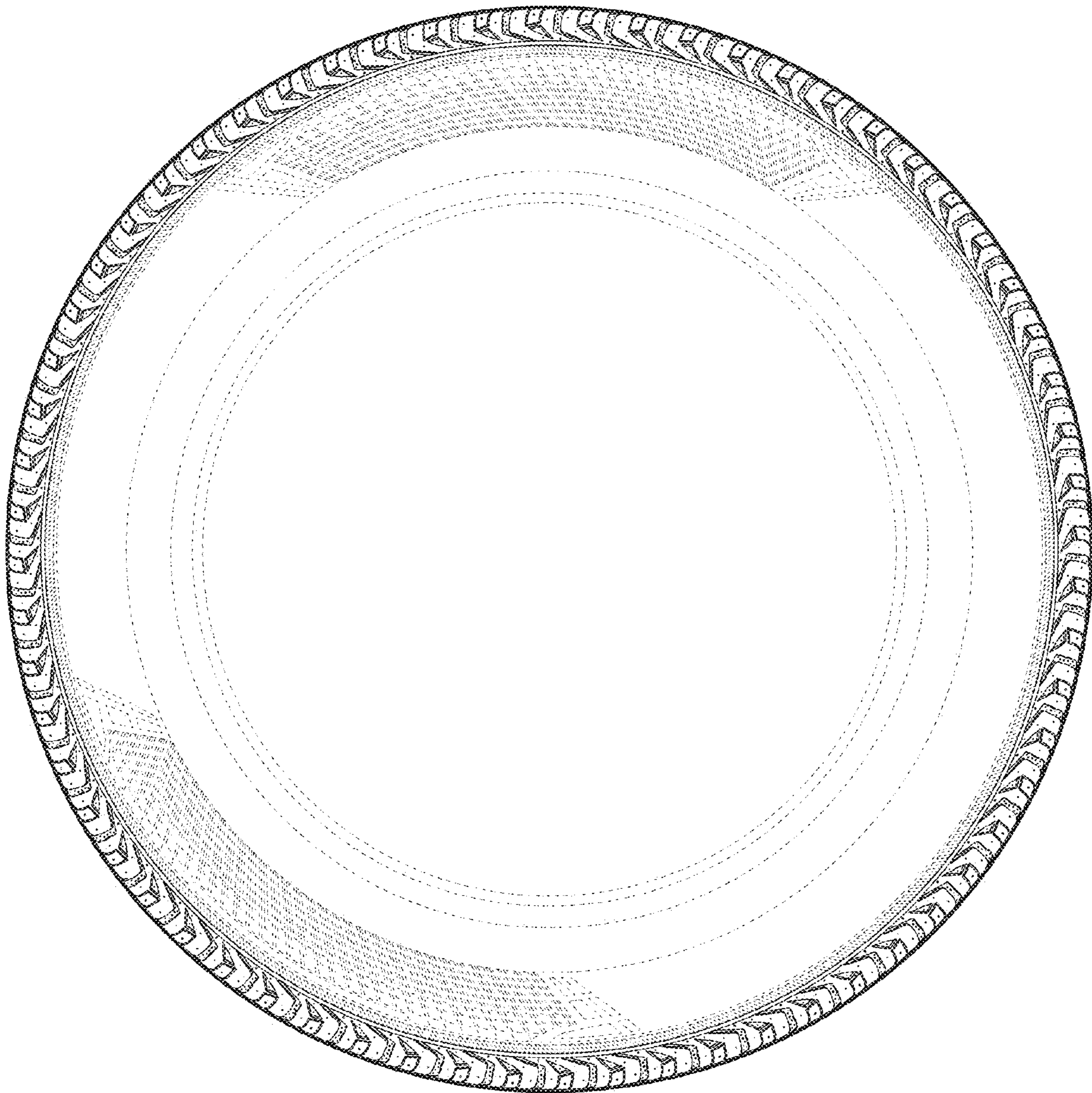


FIG.6

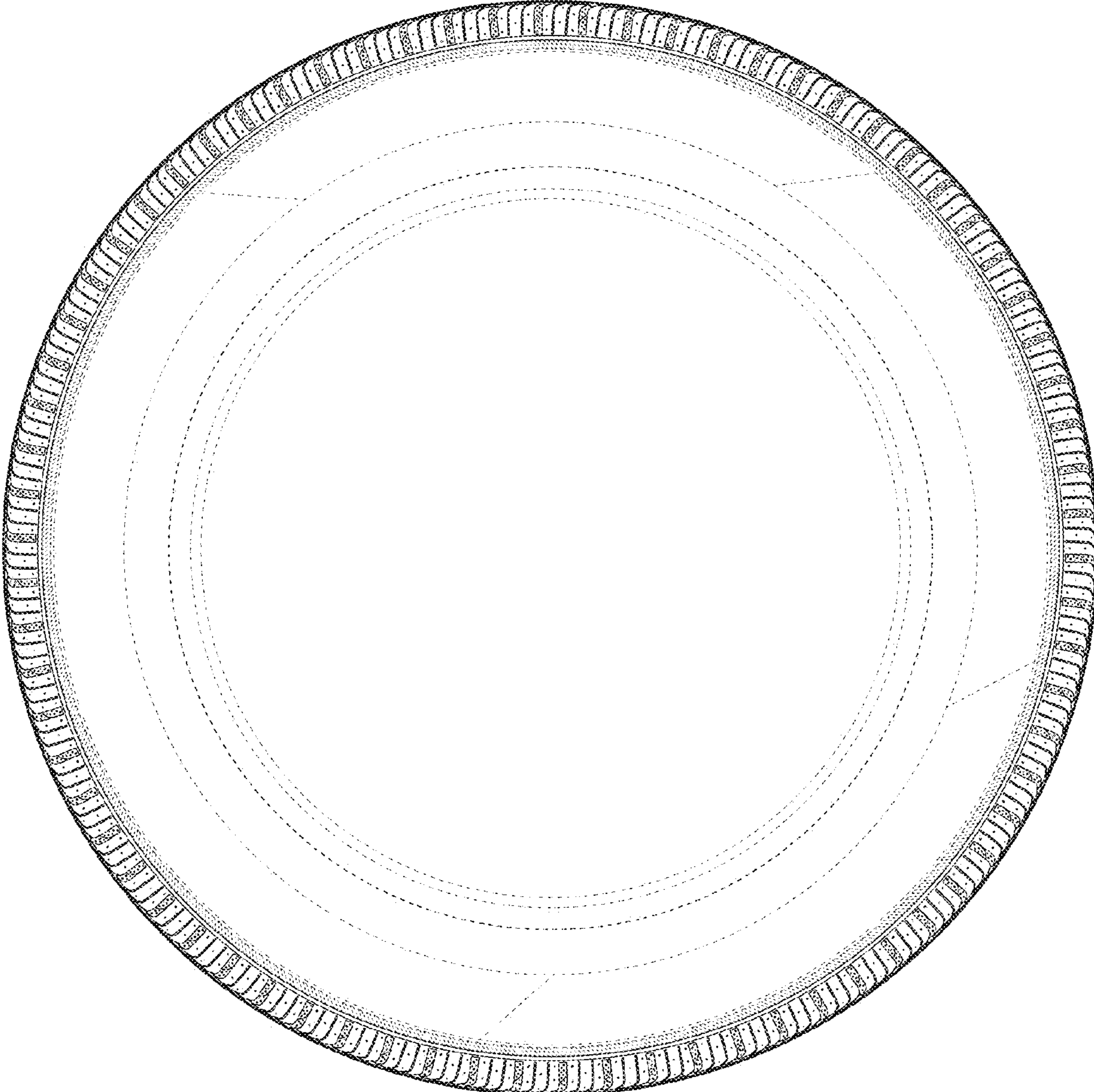


FIG.7

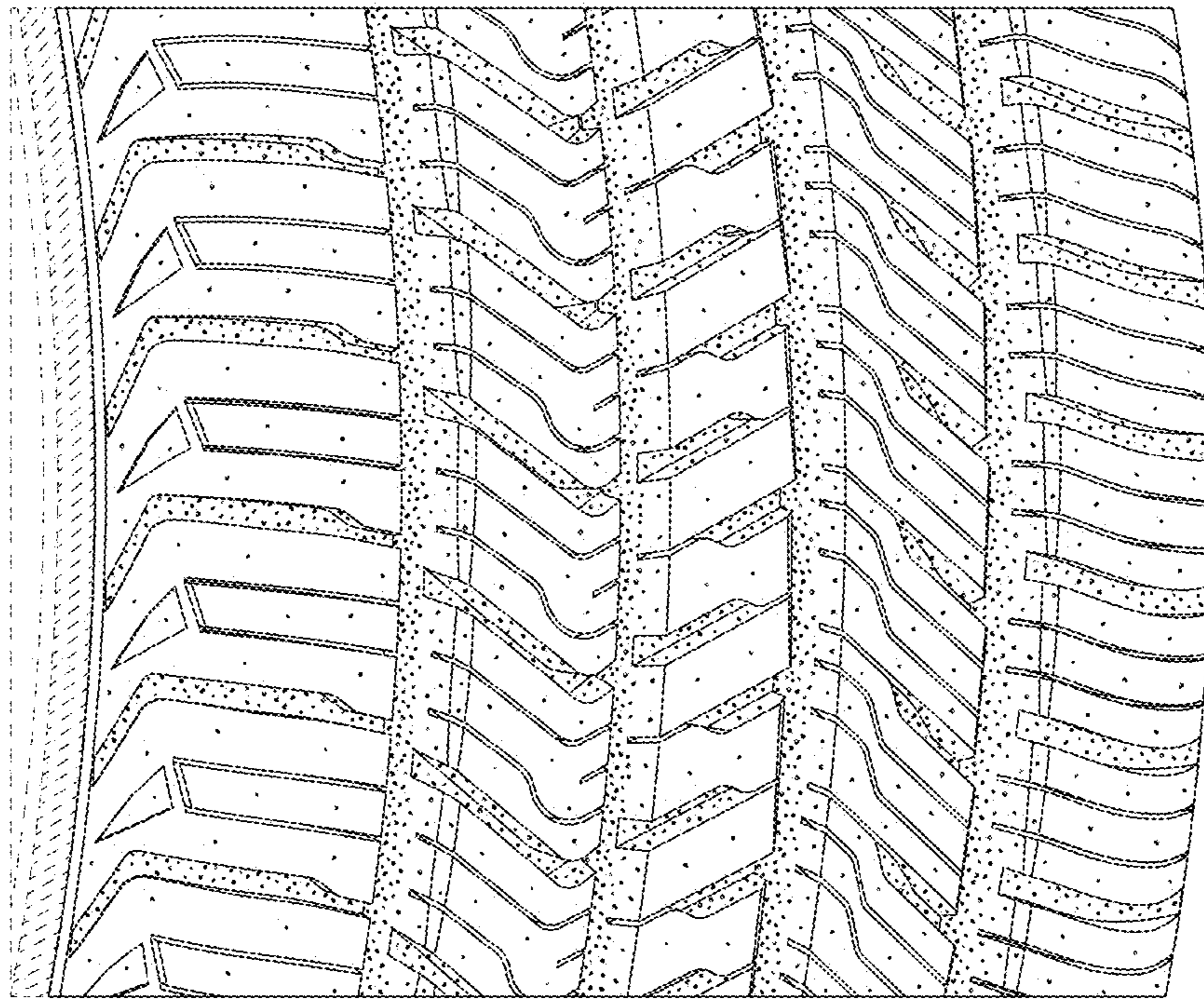


FIG.8

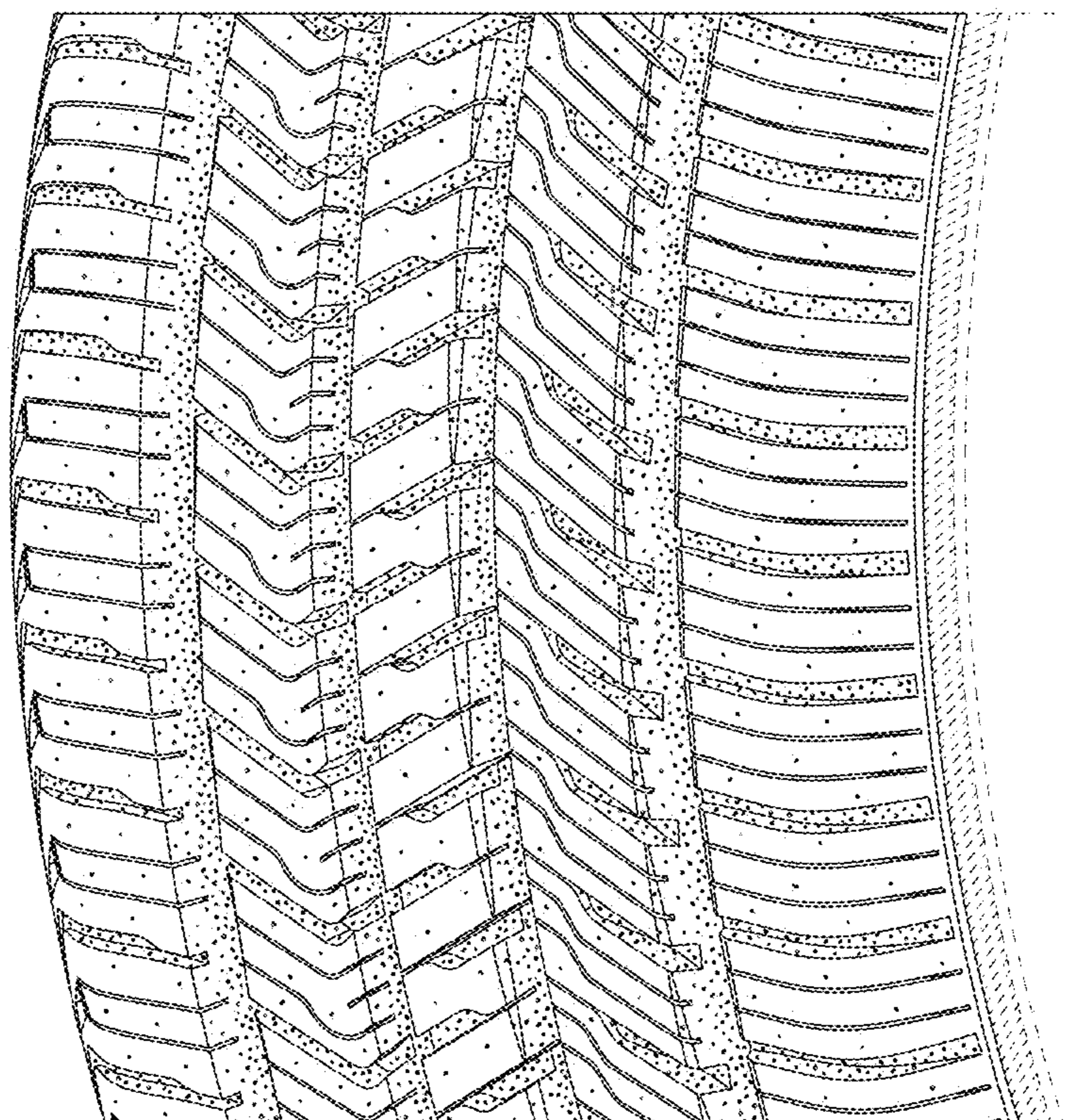


FIG.9

