



US00D887339S

(12) **United States Design Patent**
Oldham

(10) **Patent No.:** **US D887,339 S**

(45) **Date of Patent:** **** Jun. 16, 2020**

(54) **FOLDING BOAT**

(71) Applicant: **Don A. Oldham**, Spanish Fork, UT (US)

(72) Inventor: **Don A. Oldham**, Spanish Fork, UT (US)

(**) Term: **15 Years**

(21) Appl. No.: **29/666,482**

(22) Filed: **Oct. 12, 2018**

(51) **LOC (12) Cl.** **29-02**

(52) **U.S. Cl.**
USPC **D12/300**

(58) **Field of Classification Search**
USPC D12/300, 303, 307, 310, 317, 318, 304,
D12/306, 308, 312, 313, 314, 315, 316,
D12/413; D14/300; D21/542, 544
CPC B63B 1/00; B63B 1/042; B63B 1/125;
B63B 7/00; B63B 34/10; B63B 34/14;
B63H 8/00; B63H 9/00
See application file for complete search history.

(56) **References Cited**

U.S. PATENT DOCUMENTS

1,054,851	A *	3/1913	Leblond	B63B 43/14 114/348
1,336,688	A *	4/1920	Ferko	B63B 43/14 114/123
2,422,930	A *	6/1947	Rutledge	B63B 7/04 114/353
3,115,860	A *	12/1963	Payne	B63B 1/125 114/292
3,594,834	A *	7/1971	Steensen	B63B 7/04 114/353
3,902,443	A *	9/1975	McDougall	B63B 34/00 114/39.22

(Continued)

OTHER PUBLICATIONS

Better-outdoors_boat, www.better-outdoors.com [online]. Published on or before Apr. 18, 2020, [retrieved on Apr. 18, 2020]. Retrieved from the Internet: <URL:https://www.better-outdoors.com/page/index.html> (Year: 2020).*

(Continued)

Primary Examiner — Karen E Kearney

Assistant Examiner — Adam C Mager

(74) *Attorney, Agent, or Firm* — Warren M. Pate; Pate Peterson, PLLC

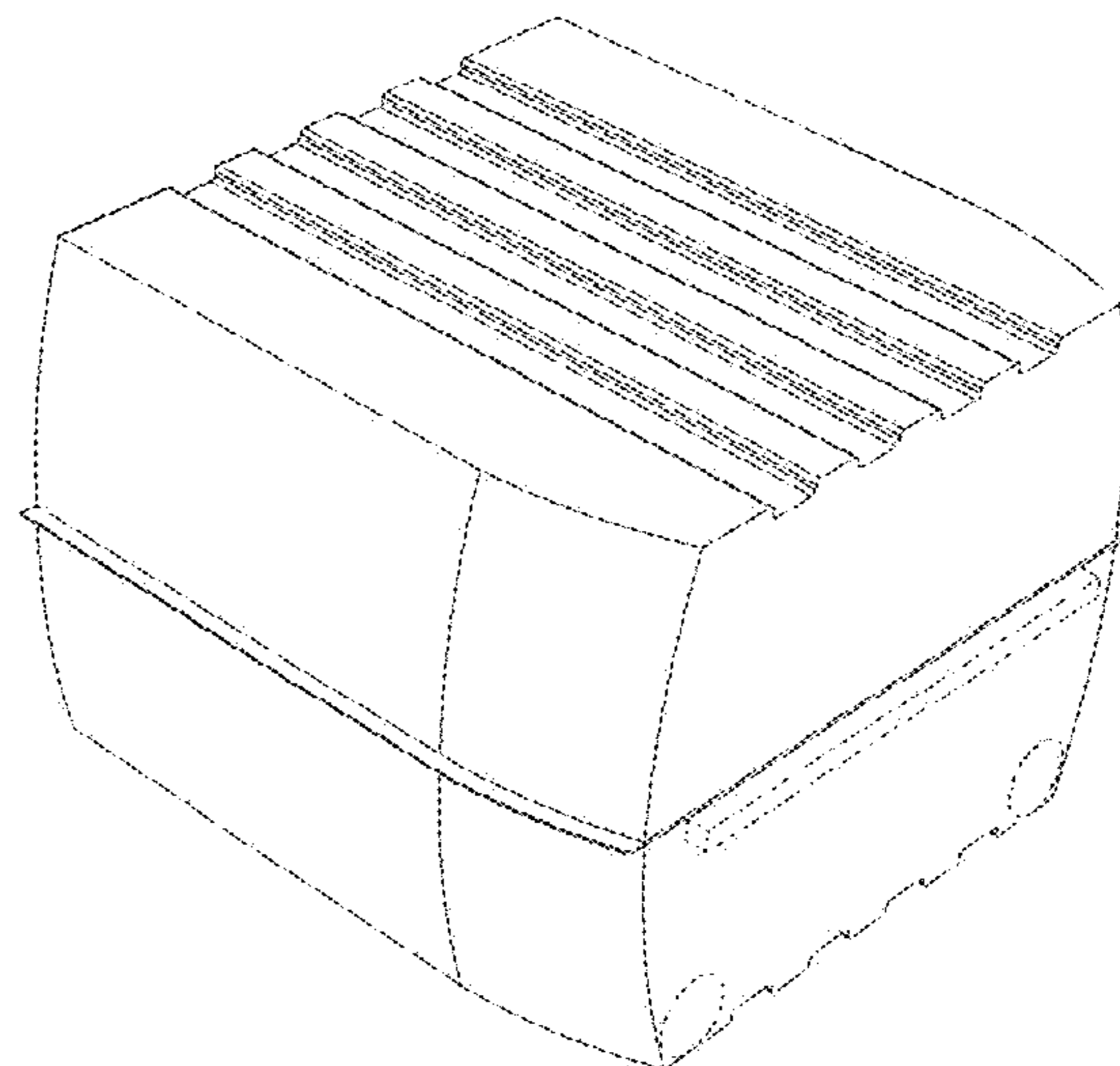
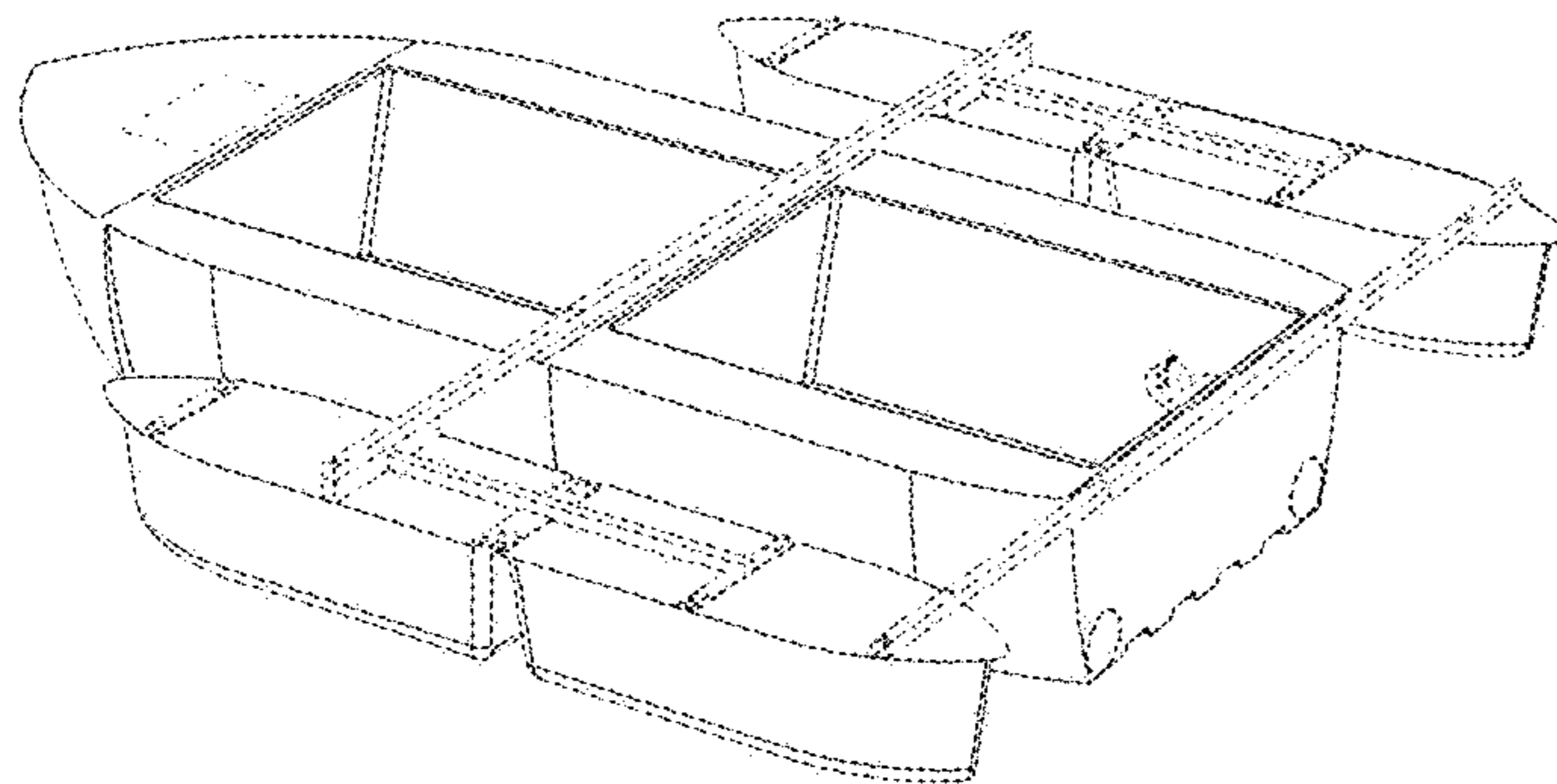
(57) **CLAIM**

The ornamental design for a folding boat, as shown and described.

DESCRIPTION

FIG. 1 is a perspective view of a folding boat in accordance with my new design in a deployed configuration; FIG. 2 is a top view of the folding boat of FIG. 1; FIG. 3 is a bottom view of the folding boat of FIG. 1; FIG. 4 is a front view of the folding boat of FIG. 1; FIG. 5 is a back view of the folding boat of FIG. 1; FIG. 6 is a side view of the folding boat of FIG. 1; FIG. 7 is an opposite side view the folding boat of FIG. 1; FIG. 8 is a perspective view of a folding boat in accordance with my new design in a stowed or folded configuration; FIG. 9 is a top view of the folding boat of FIG. 8; FIG. 10 is a bottom view of the folding boat of FIG. 8; FIG. 11 is a front view of the folding boat of FIG. 8; FIG. 12 is a back view of the folding boat of FIG. 8; FIG. 13 is a side view of the folding boat of FIG. 8; and, FIG. 14 is an opposite side view the folding boat of FIG. 8. The broken lines represent unclaimed subject matter and form no part of the claimed design.

1 Claim, 9 Drawing Sheets



(56)

References Cited

U.S. PATENT DOCUMENTS

D268,101 S * 3/1983 Pope D12/102
5,477,804 A * 12/1995 Chan B63B 7/04
114/123

OTHER PUBLICATIONS

Transporter_boat, www.coolthings.com [online]. Published on or before Apr. 18, 2020, [retrieved on Apr. 18, 2020]. Retrieved from the Internet: <URL:https://www.coolthings.com/transporter-boat/> (Year: 2020).*

Transporter: From Box to a Boat, www.youtube.com [online]. Published on or before Feb. 1, 2013, [retrieved on Apr. 18, 2020]. Retrieved from the Internet: <URL:https://www.youtube.com/watch?v=PSM0v8x4kUw> (Year: 2013).*

Transporter: From Box to a Boat, www.youtube.com/watch?v=PSM0v8x4kUw, published Feb. 1, 2013, pp. 1-5.

Transporter Boat: Portable, Storable, Functional, www.youtube.com/watch?v=iw-6dKU3Pkc, published Feb. 4, 2013, pp. 1-6.

ATV floats on small boat, www.youtube.com/watch?v=TSRACLL3dI8&t=13s, published Mar. 29, 2013, pp. 1-6.

* cited by examiner

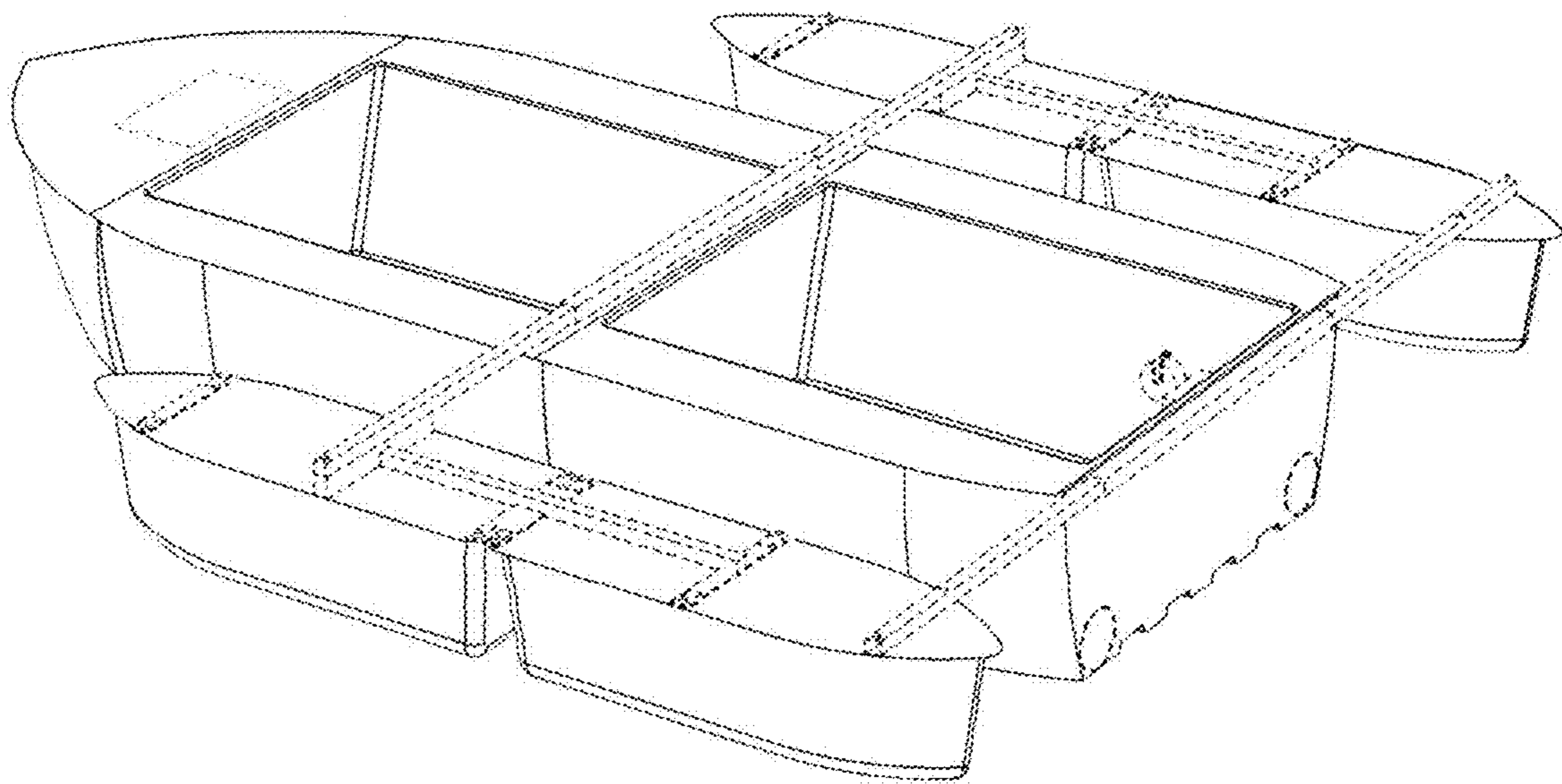


FIG. 1

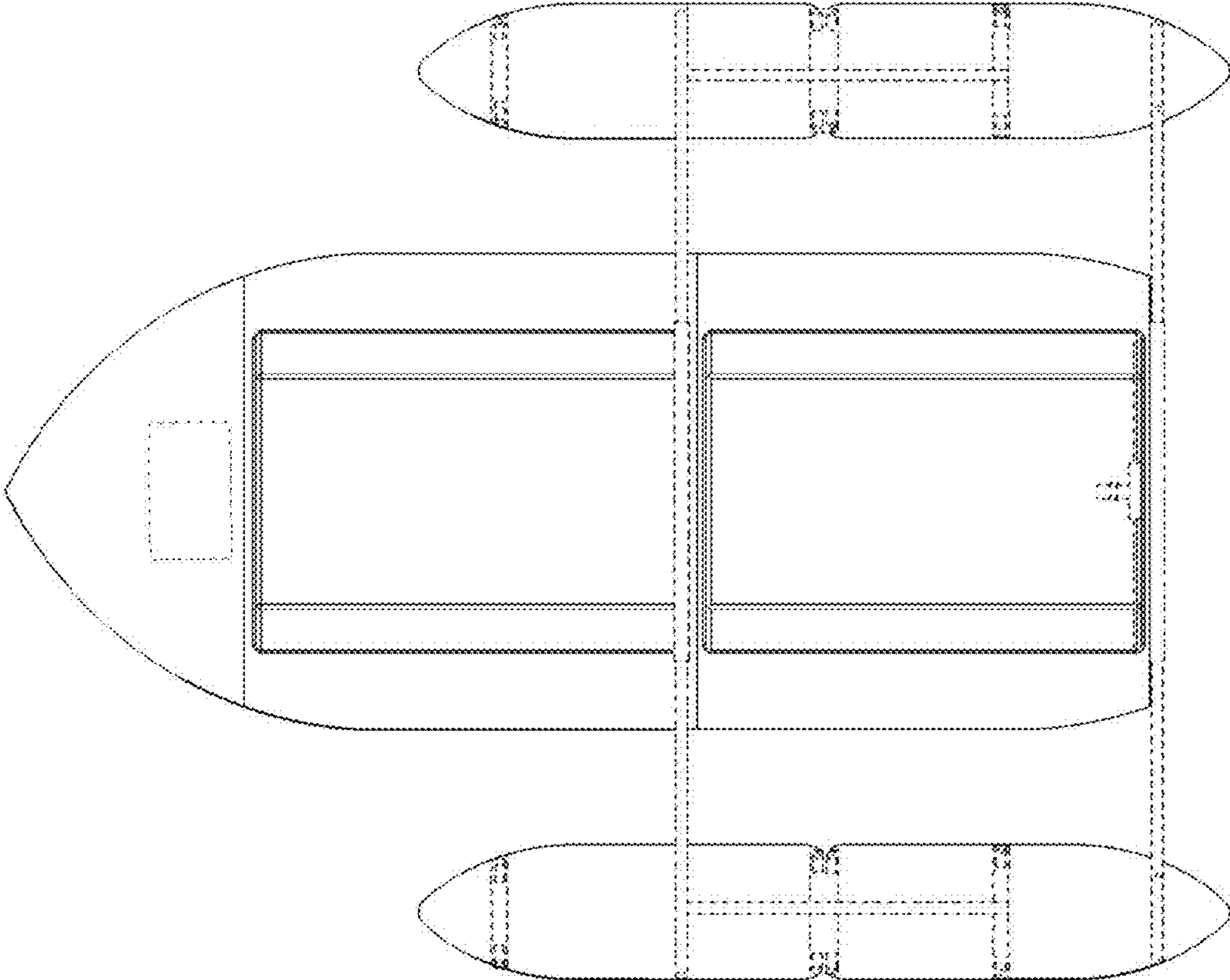


FIG. 2

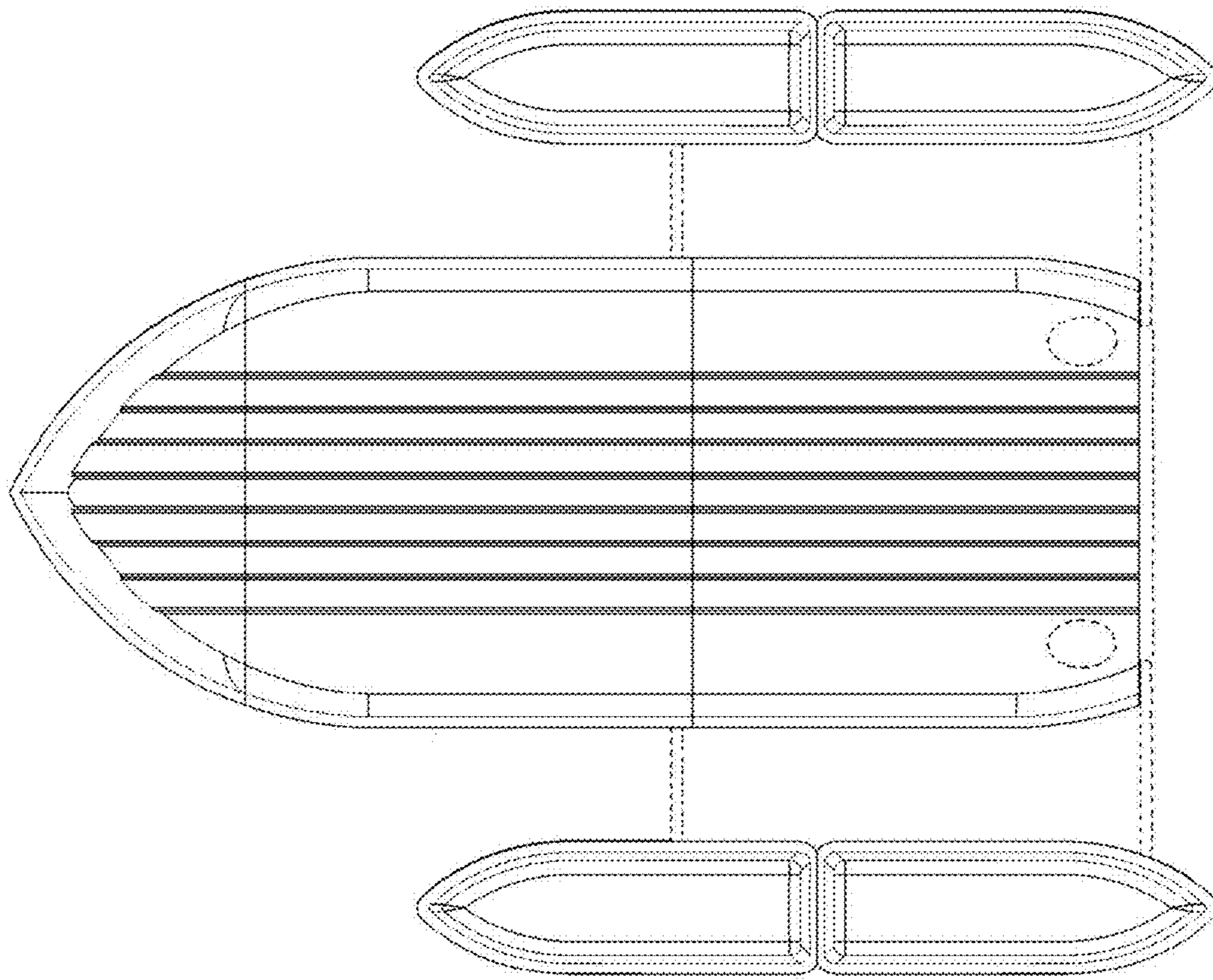


FIG. 3

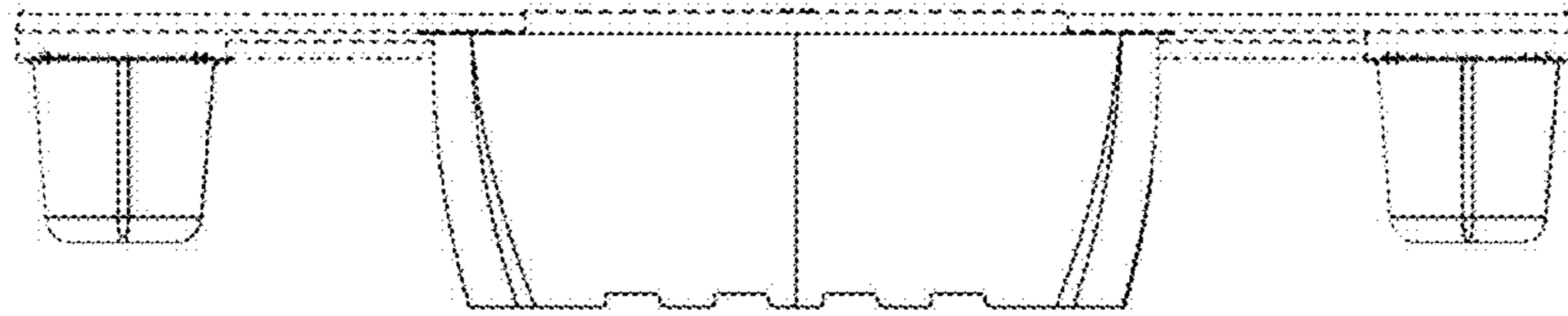


FIG. 4

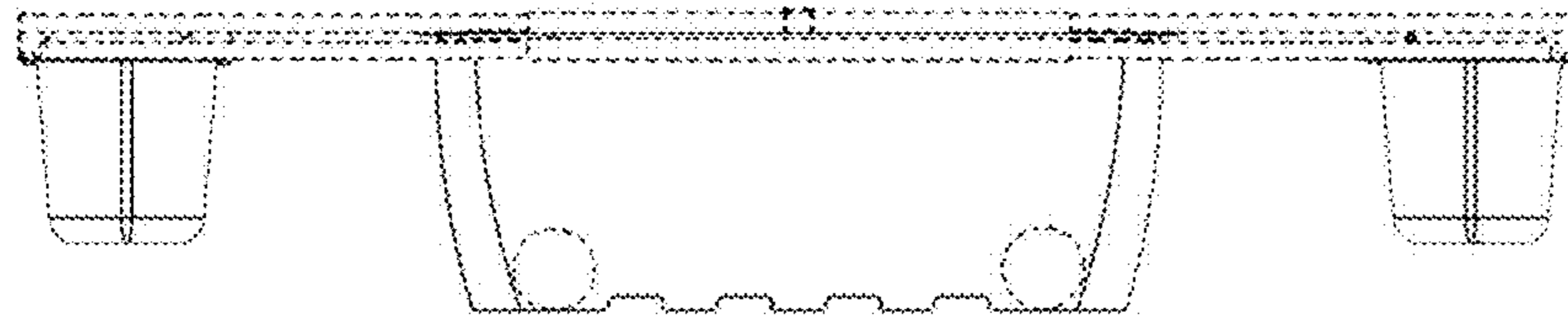


FIG. 5

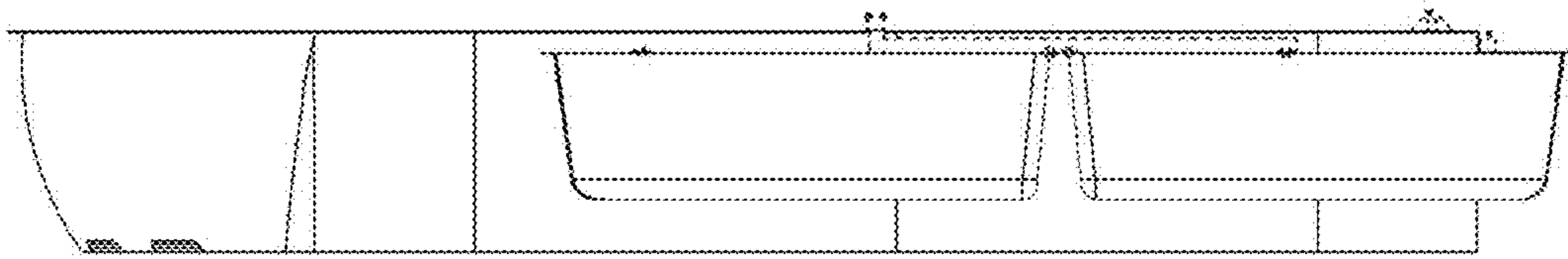


FIG. 6

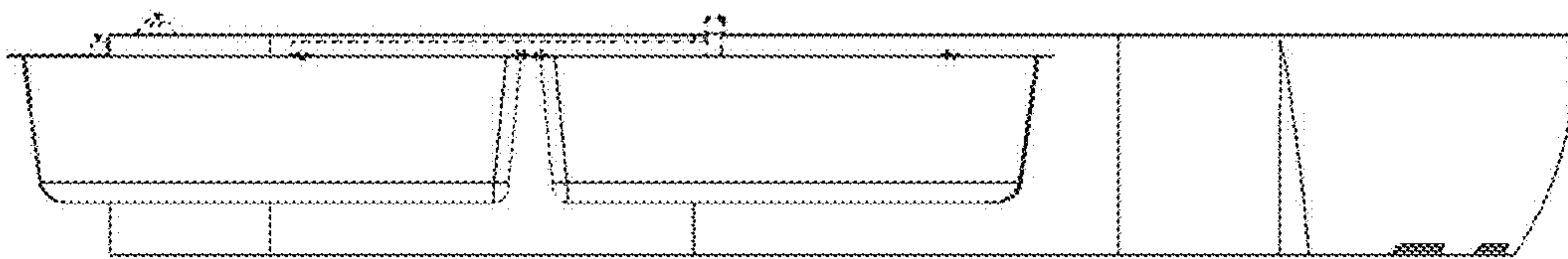


FIG. 7

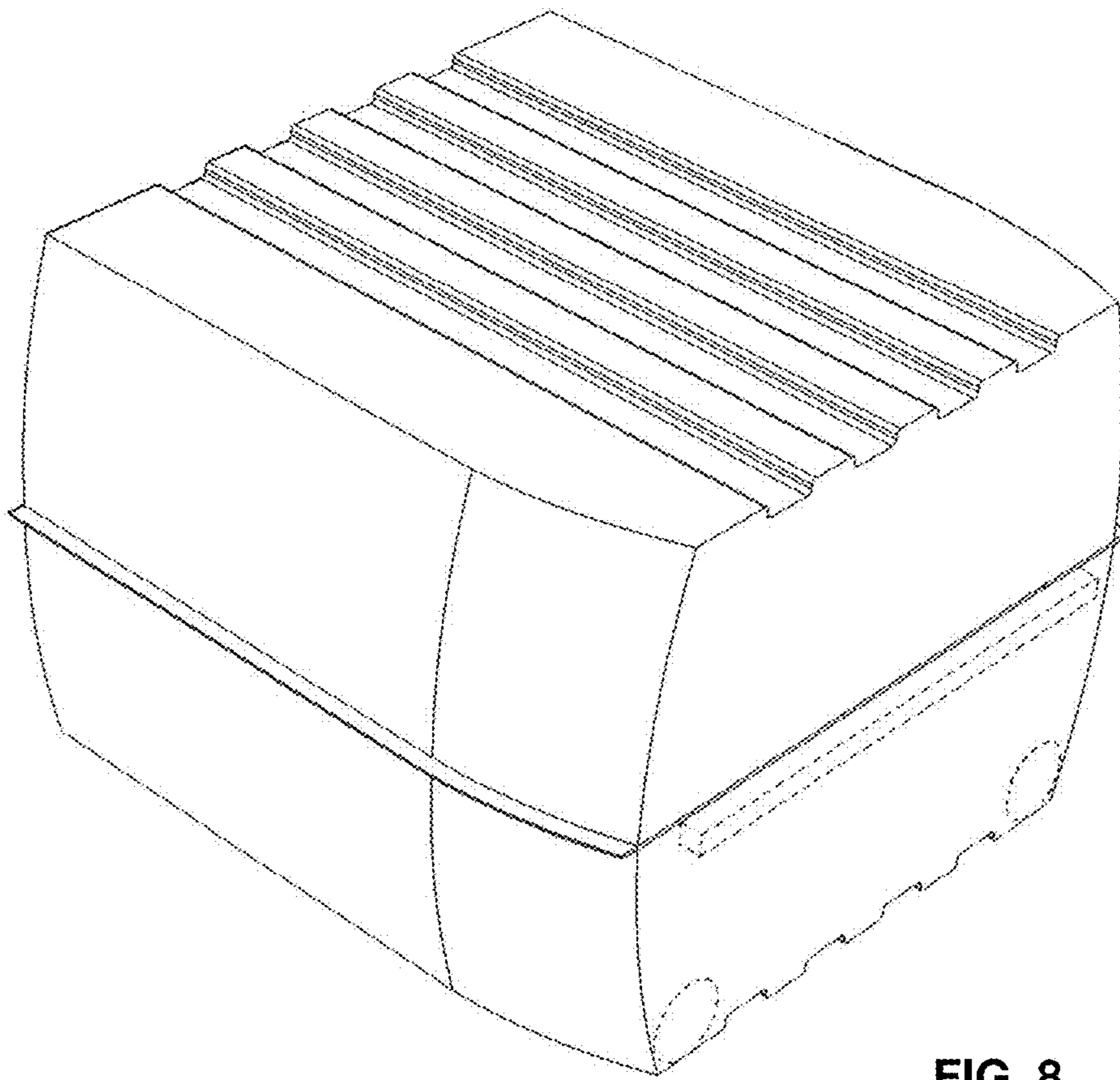


FIG. 8

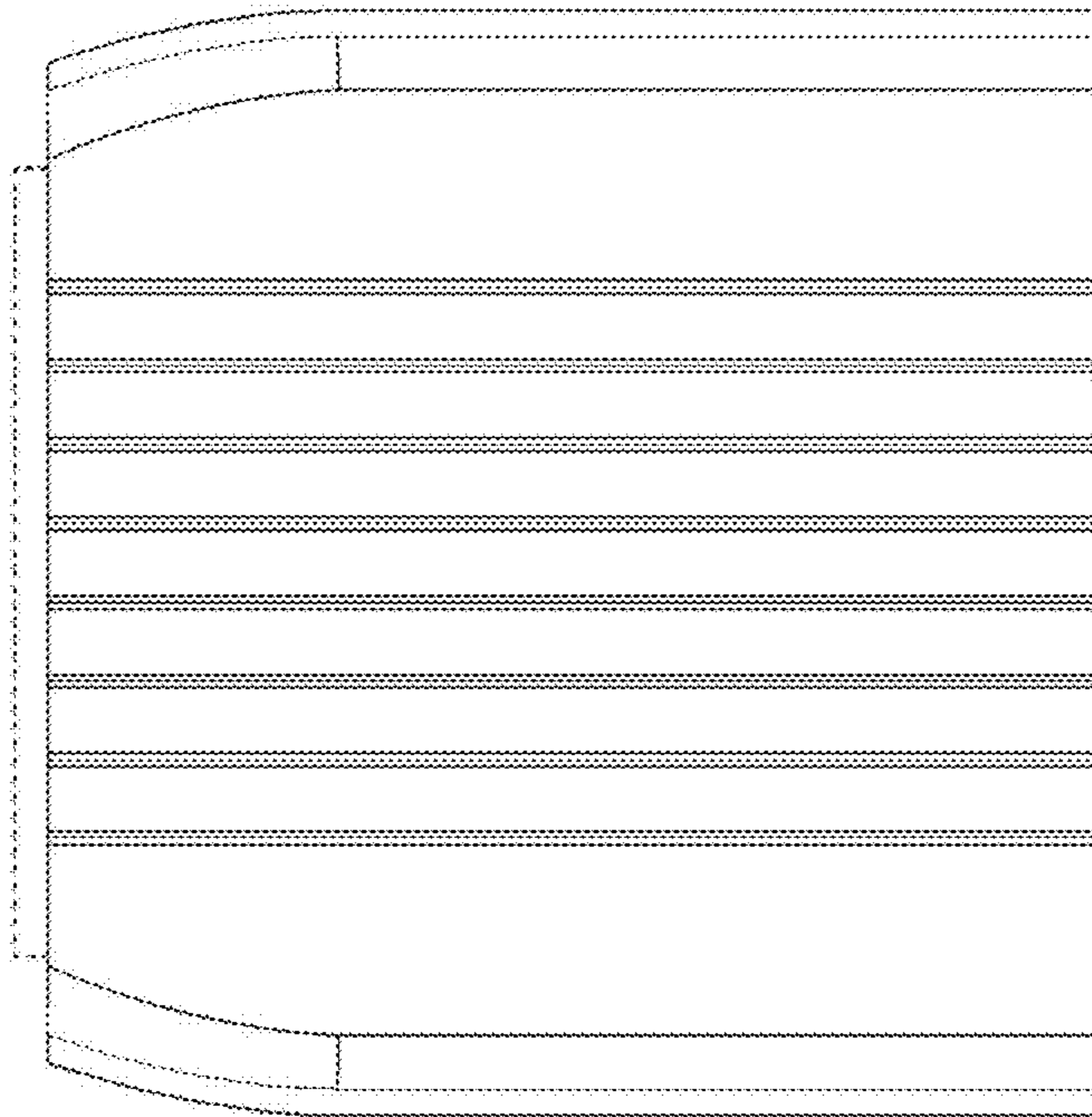


FIG. 9

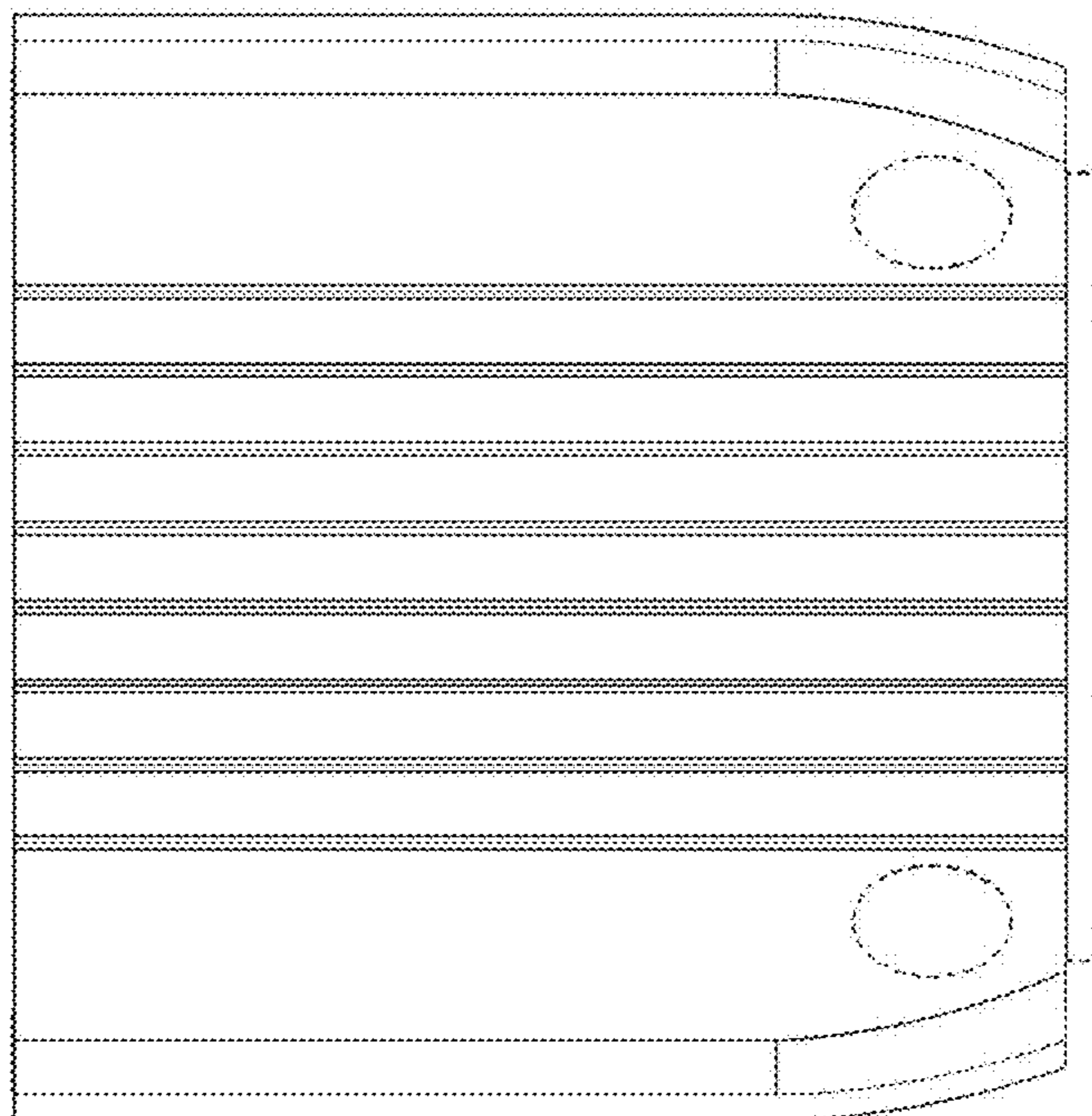


FIG. 10

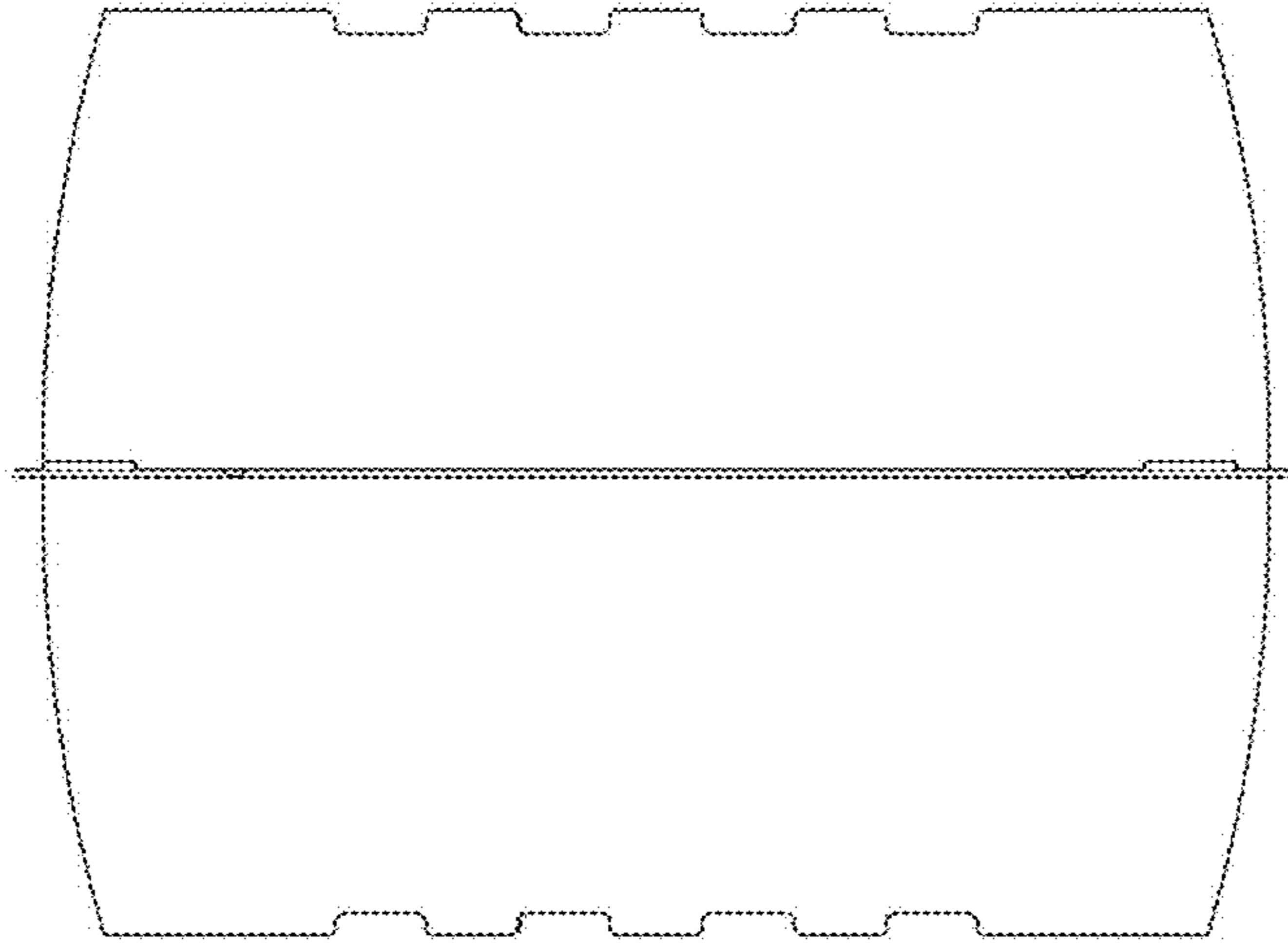


FIG. 11

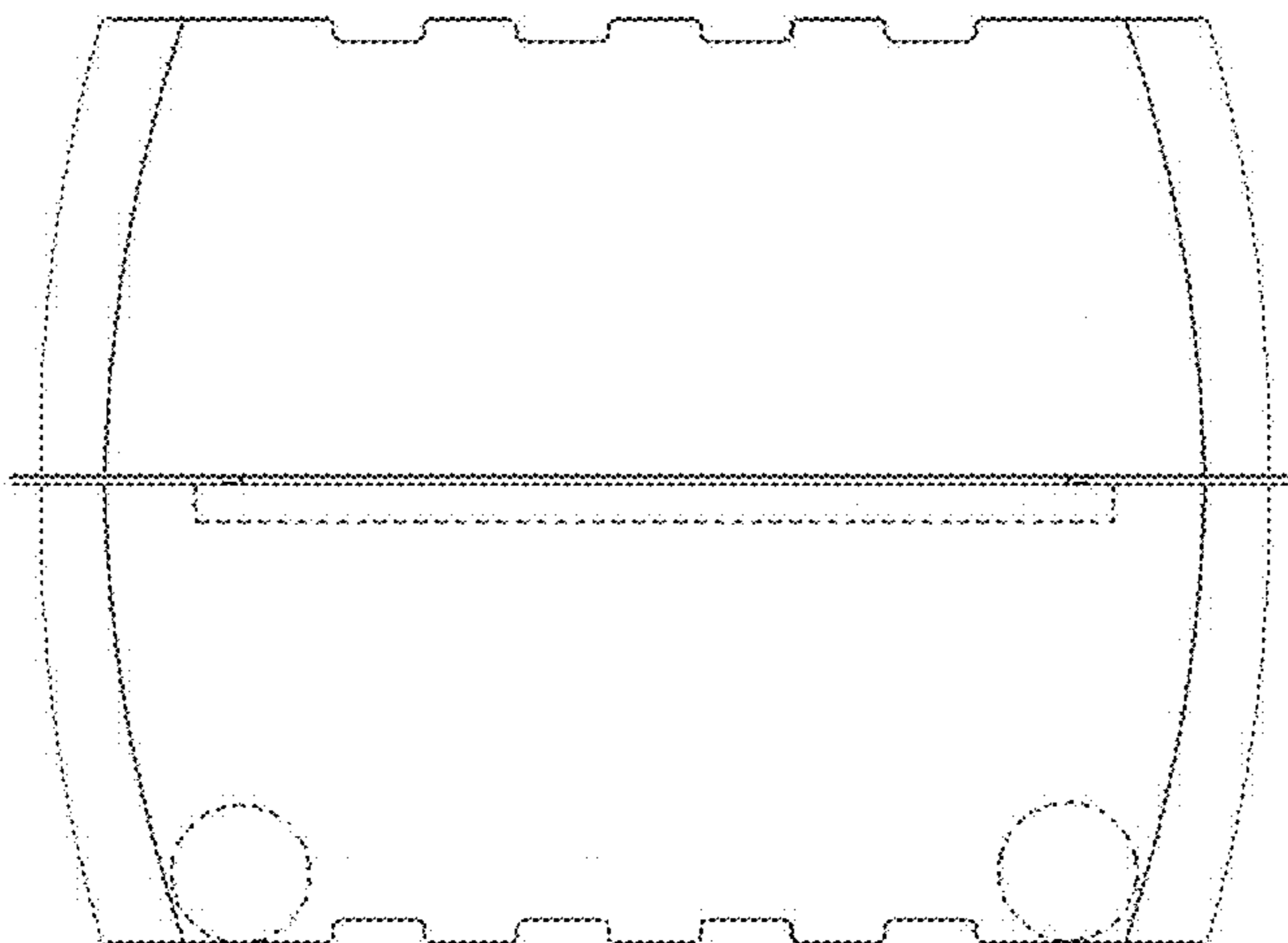


FIG. 12

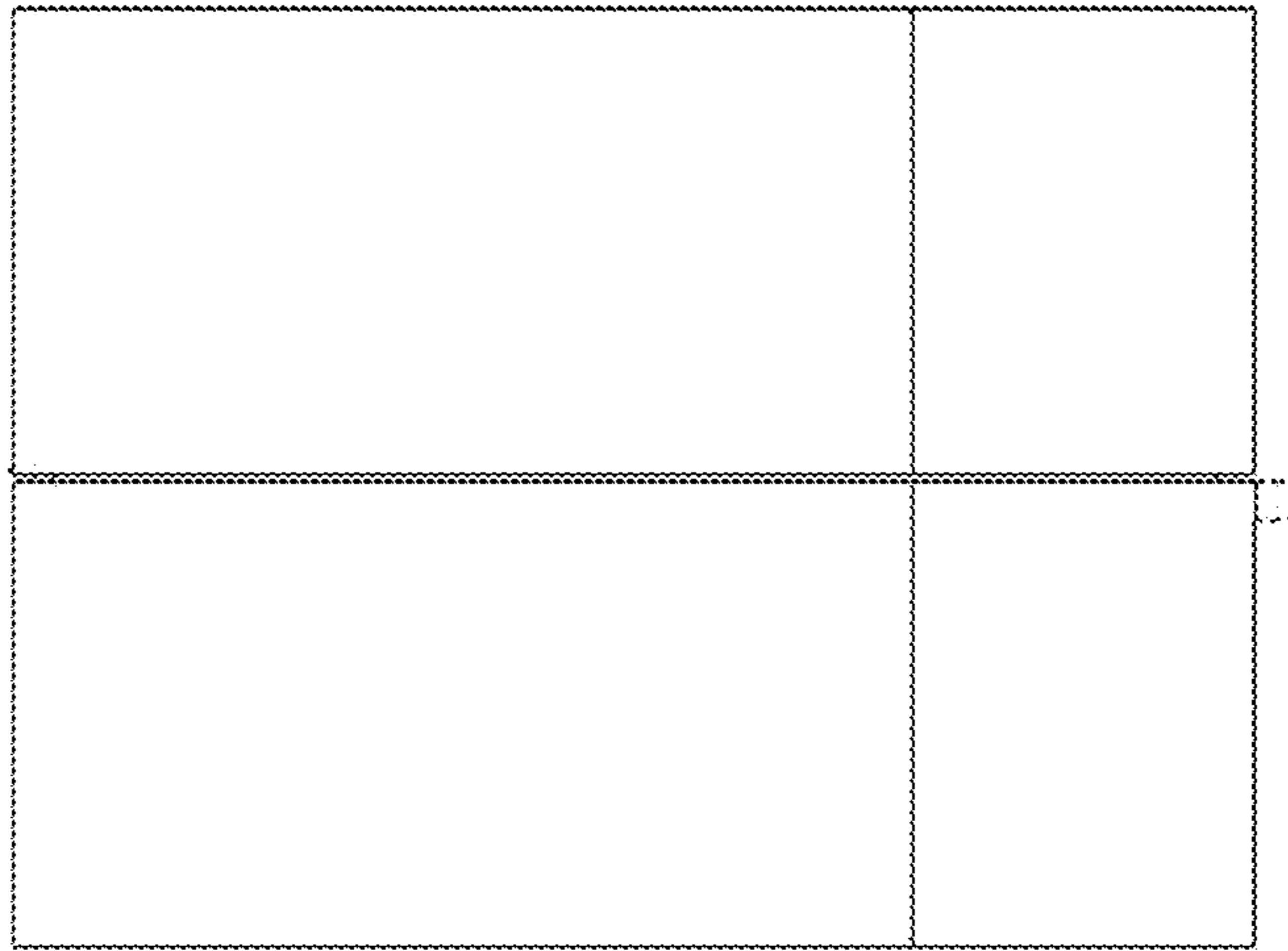


FIG. 13



FIG. 14