



US00D887338S

(12) **United States Design Patent**
Bennett

(10) **Patent No.:** **US D887,338 S**
(45) **Date of Patent:** **** Jun. 16, 2020**

- (54) **SUPPORT BRACKET**
- (71) Applicant: **OMIX-ADA, INC.**, Ann Arbor, MI (US)
- (72) Inventor: **Patrick W. Bennett**, Gainsville, GA (US)
- (73) Assignee: **OMIX-ADA, INC.**, Ann Arbor, MI (US)
- (**) Term: **15 Years**
- (21) Appl. No.: **29/668,002**
- (22) Filed: **Oct. 26, 2018**
- (51) **LOC (12) Cl.** **12-06**
- (52) **U.S. Cl.**
USPC **D12/223; D8/354**
- (58) **Field of Classification Search**
USPC D8/349, 354, 382; D12/400, 223, 181, D12/184, 185
CPC B62D 25/16; B62D 25/163; B62D 25/165; B62D 25/168; B62D 25/18; B62D 25/161; B60R 11/00; B60R 13/04; B60R 2011/004
See application file for complete search history.

- 6,648,373 B2 * 11/2003 Hawes B62D 25/168 280/154
- D497,572 S 10/2004 Widmann et al.
- D508,441 S 8/2005 Moushegian et al.
- D521,439 S * 5/2006 Chapman D12/223
- D534,836 S 1/2007 Moushegian et al.
- D535,585 S 1/2007 Moushegian et al.
- D554,563 S 11/2007 Moushegian et al.

(Continued)

OTHER PUBLICATIONS

Potentially Related U.S. Appl. No. 29/462,701, filed Aug. 7, 2013, granted as U.S. Pat. No. D. 712,324 on Sep. 2, 2014.

(Continued)

Primary Examiner — Sandra S Snapp
Assistant Examiner — Ieisha N Price
(74) *Attorney, Agent, or Firm* — The Dobrusin Law Firm, P.C.; Bryan S. Lemanski

(57) **CLAIM**

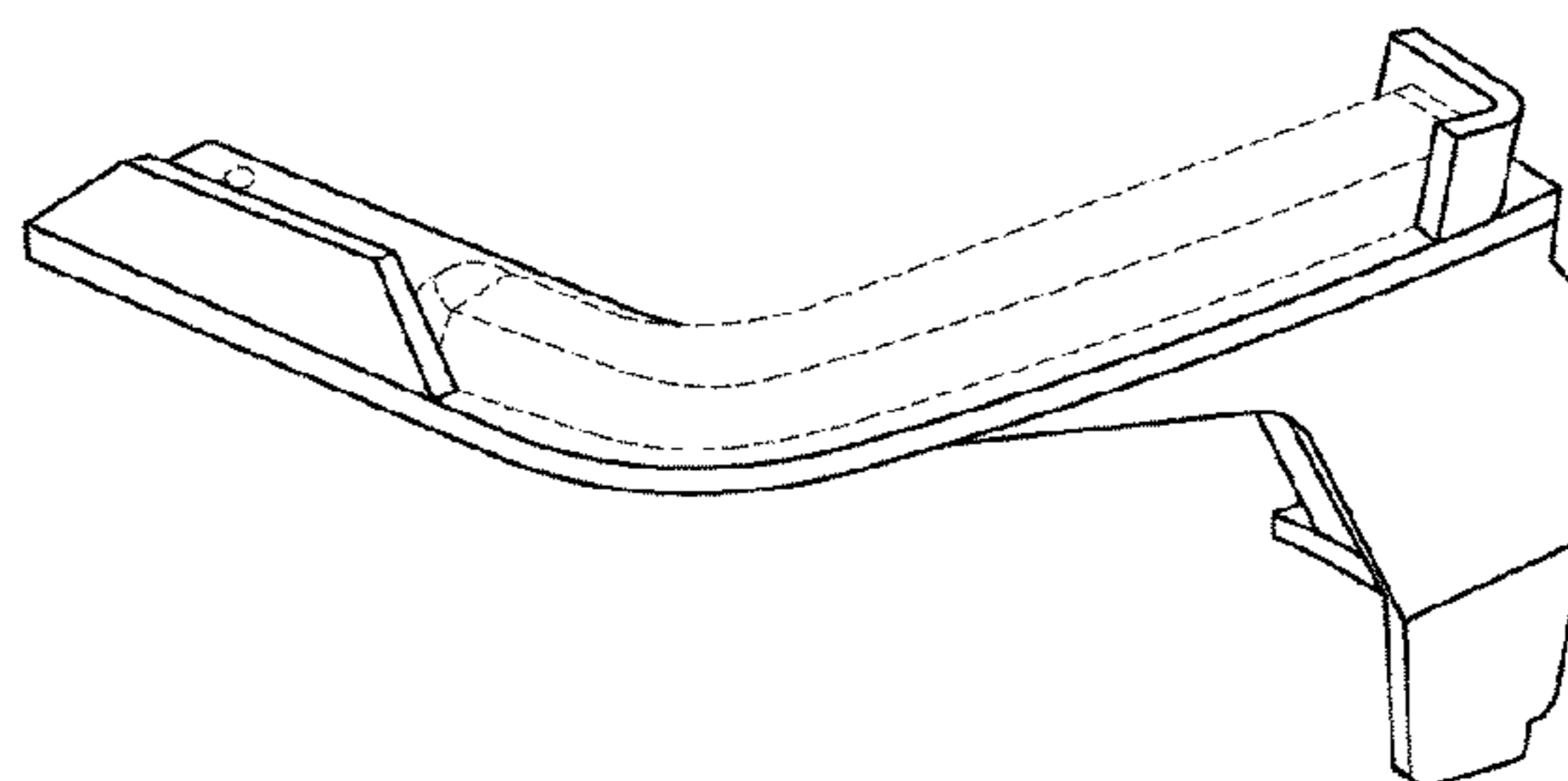
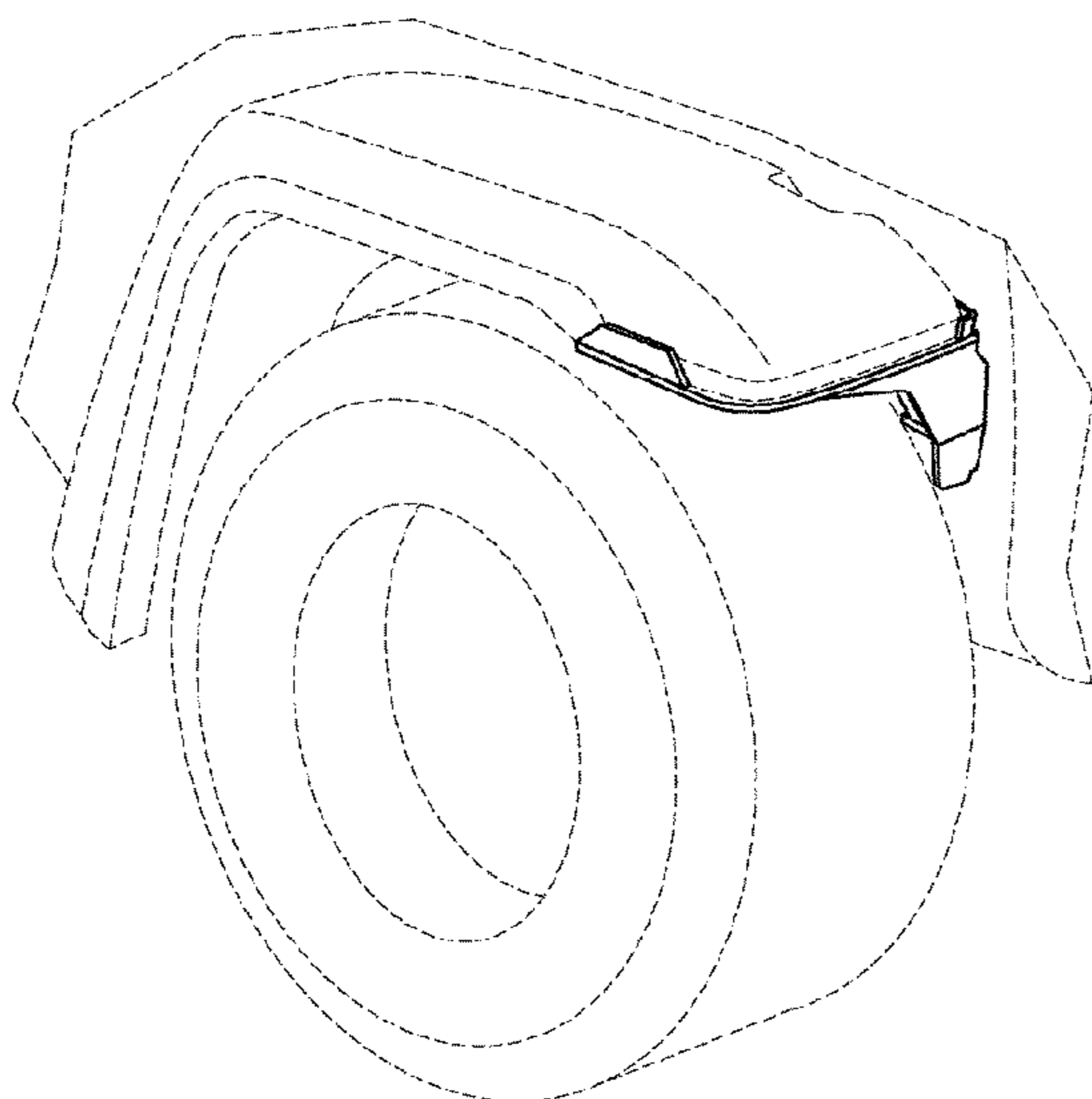
The ornamental design for a support bracket, as shown and described.

DESCRIPTION

FIG. 1 is an environmental perspective view of the present design shown connected to a vehicle.
FIG. 2 is a perspective view of the present design.
FIG. 3 is a front elevational view of FIG. 2.
FIG. 4 is a left side elevational view of FIG. 2.
FIG. 5 is a right side elevational view of FIG. 2.
FIG. 6 is a top plan view of FIG. 2.
FIG. 7 is a back elevational view of FIG. 2; and,
FIG. 8. is a bottom plan view of FIG. 2.
The broken line showing of the vehicle body and wheel illustrates the environment of the claimed design and forms no part thereof. The remaining broken lines in the drawings illustrate portions of the support bracket and form no part of the claimed design.

1 Claim, 4 Drawing Sheets

- (56) **References Cited**
- U.S. PATENT DOCUMENTS**
- 3,782,757 A * 1/1974 Juergens B62D 25/163 280/851
- 3,953,053 A * 4/1976 Arenhold B62D 25/18 280/851
- 4,605,238 A * 8/1986 Arenhold B62D 25/18 24/581.1
- 5,048,868 A * 9/1991 Arenhold B62D 25/18 280/848
- D336,885 S 6/1993 Hart et al.
- D389,438 S 1/1998 Guichard et al.
- D395,269 S 6/1998 McCauley, Jr.
- D397,321 S * 8/1998 Huang D12/223
- D463,251 S * 9/2002 Shea D8/354



(56)

References Cited

U.S. PATENT DOCUMENTS

D565,466 S 4/2008 Moushegian et al.
 D570,509 S 6/2008 Logan
 D573,507 S 7/2008 Moushegian et al.
 D582,825 S 12/2008 Logan
 D584,668 S * 1/2009 Raghavendran D12/184
 D594,313 S * 6/2009 Clarke D8/354
 D623,103 S 9/2010 Braga
 D644,581 S 9/2011 Beigel et al.
 D644,972 S 9/2011 Beigel et al.
 D647,386 S * 10/2011 Pelini D8/349
 D652,365 S * 1/2012 Lindloff D12/223
 D695,171 S 12/2013 Riggs et al.
 D699,169 S 2/2014 Waclawski et al.
 D712,324 S 9/2014 McFarlin et al.
 D729,133 S * 5/2015 McGaughy D12/159
 D741,234 S 10/2015 Hanson et al.
 D741,235 S 10/2015 Hanson et al.
 D765,569 S 9/2016 Hall et al.
 D778,795 S 2/2017 Johns et al.
 D784,115 S * 4/2017 Rago D8/354
 D787,916 S * 5/2017 Yuan D12/223
 D789,179 S * 6/2017 Minkovich D8/354
 D796,938 S * 9/2017 Rago D8/354
 D798,693 S * 10/2017 Kanagal Narasimhaswamy
 D8/354
 D808,576 S * 1/2018 Clarke D26/138
 D825,317 S * 8/2018 Klein D8/354
 D834,463 S * 11/2018 Brunkhurst D12/159
 D843,287 S * 3/2019 Wock D12/185

2007/0216199 A1* 9/2007 Ito B62D 25/161
 296/198
 2013/0193300 A1* 8/2013 Eklund B62D 25/163
 248/610
 2015/0115652 A1* 4/2015 Peng B62D 25/168
 296/180.4
 2015/0251614 A1* 9/2015 Bokseveld B62D 25/105
 293/155

OTHER PUBLICATIONS

Potentially Related U.S. Appl. No. 29/544,313, filed Nov. 2, 2015, granted as U.S. Pat. No. D. 778,795 on Feb. 14, 2017.
 Amazon.com Rugged Ridge, Amazon.com [online], first available date of Oct. 30, 2015, [last accessed Dec. 20, 2018] http://www.amazon.com/rugged-ridge-11640-30-Textured-Hurricane/dp/B017DN6M9/ref=sr_1_5?ie=UTF8&qid=1472084275&sr=8-5&keywords=rugged+ridge+fender+flares.
 Omix-Ada Rugged Ridge Fender Flares, omix-ada.com [online], [last accessed Dec. 20, 2018] <http://www.omix-ada.com/hurricane-fender-flare-kit-textured-black-97-06-jeep-wrangler-tj.html>.
 2007-2018 Jeep Wrangler (JK/JKU) LED Daytime Running Light System 260-1024-Jeep, Rostra Accessories, rostra.com [online] [last accessed Dec. 19, 2018] <http://www.rostra.com/jeep-wrangler-led-lights-drl.php>.
 Potentially Related Patent U.S. Appl. No. 29/674,054, filed Dec. 19, 2018.
 Artec JL Front Fender Chop Kit Brackets, www.artecindustries.com/JL_Fender_Chop, dated May 3, 2019.

* cited by examiner

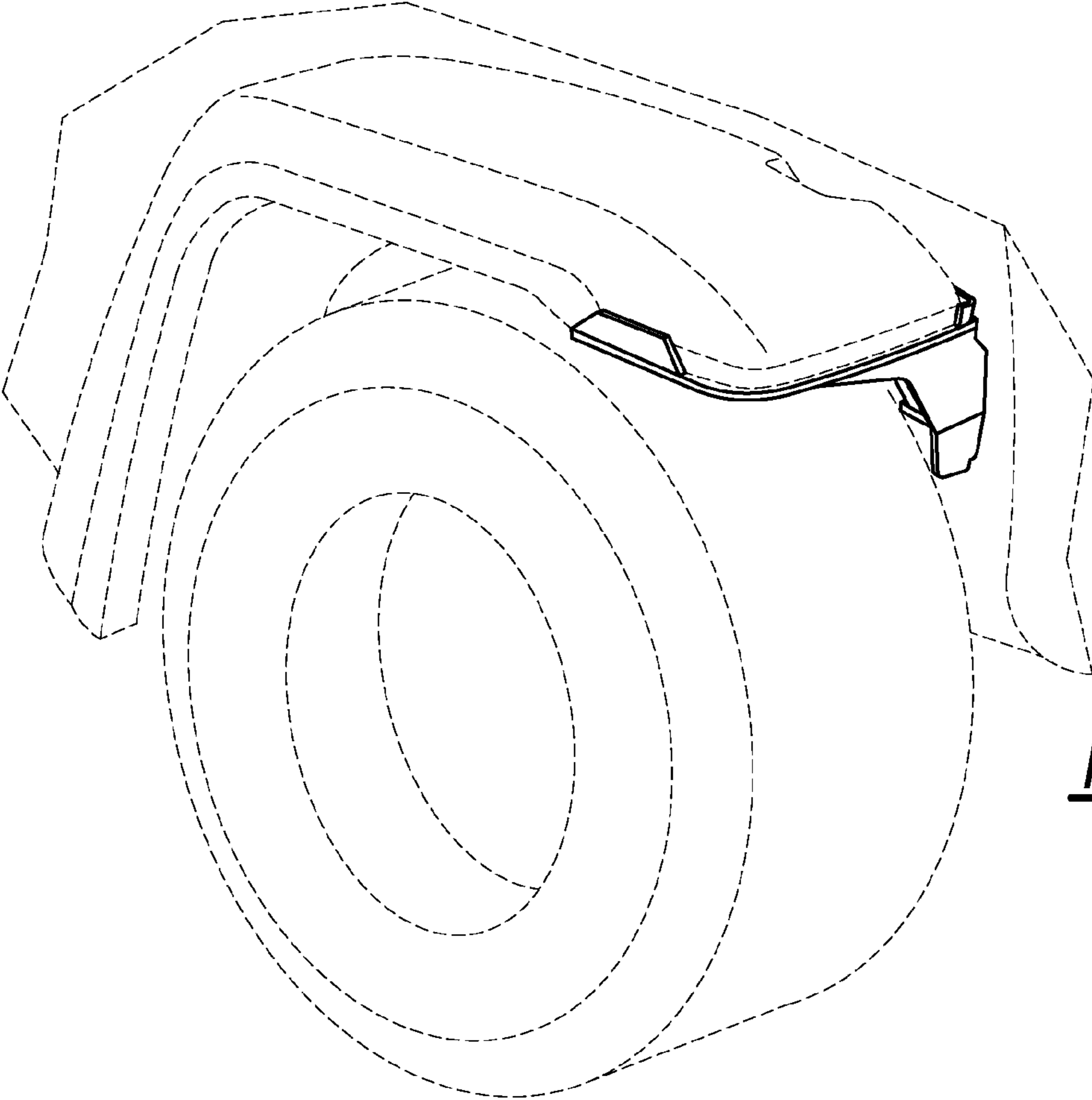


FIG - 1

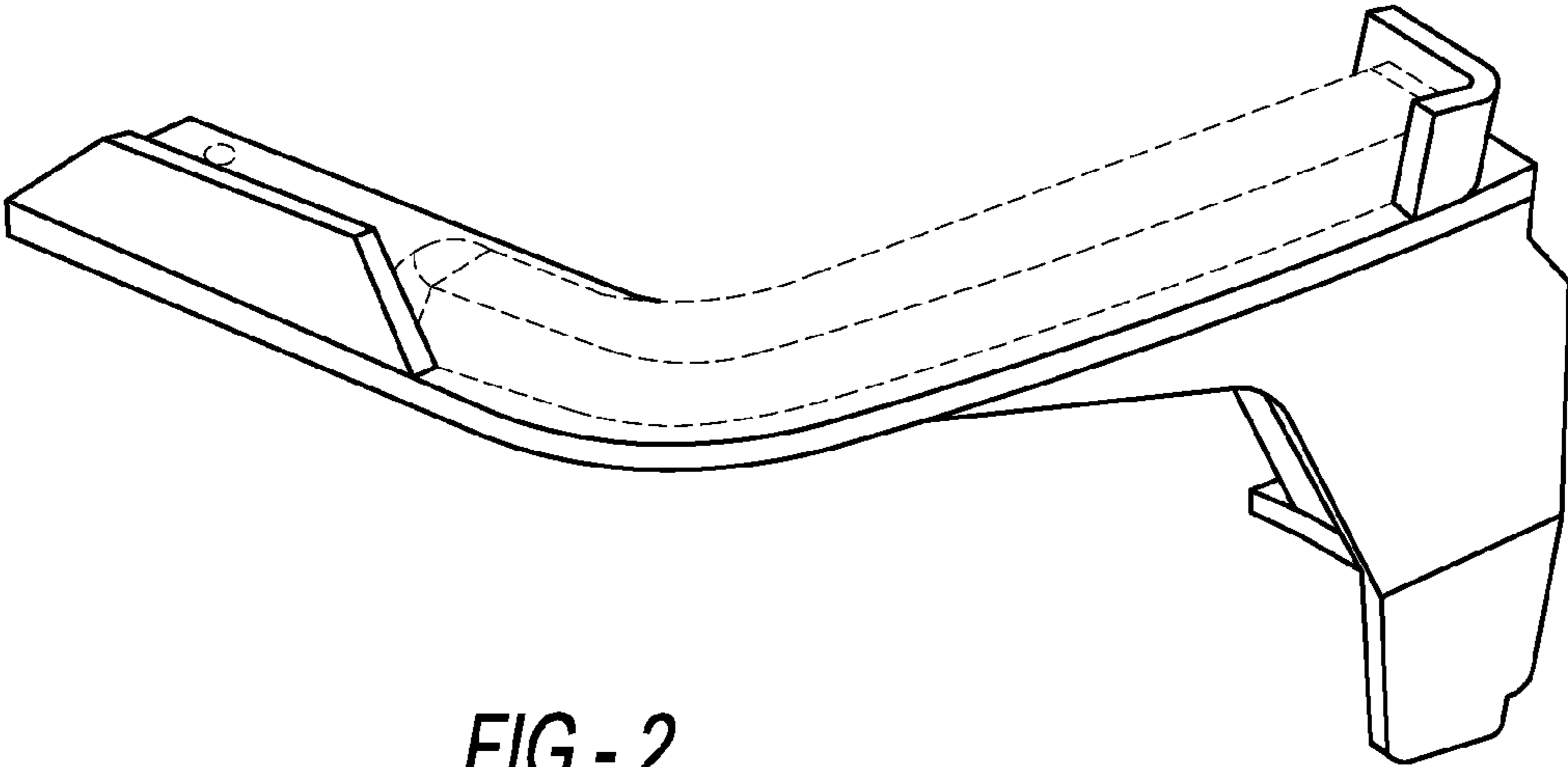


FIG - 2

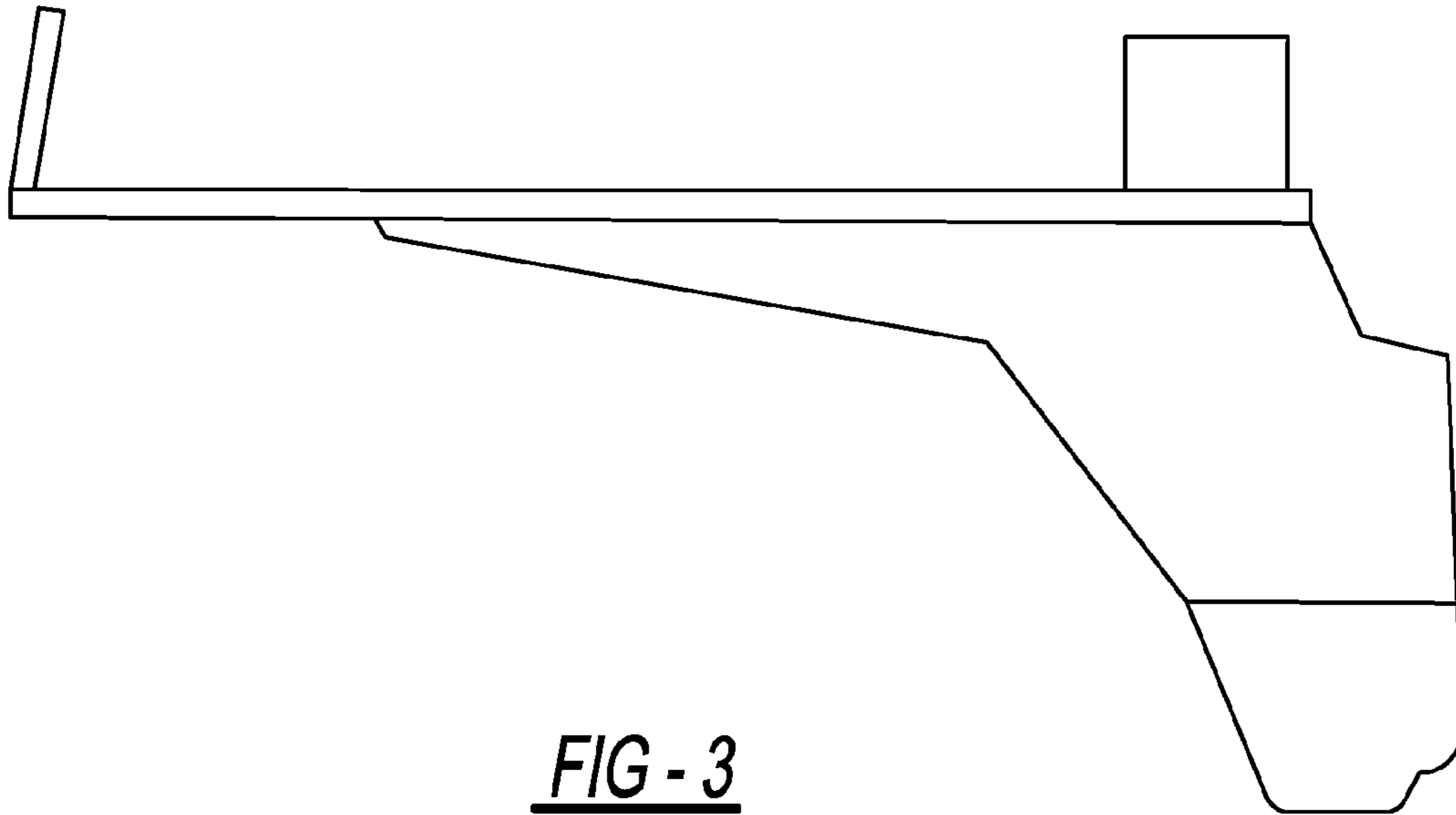


FIG - 3

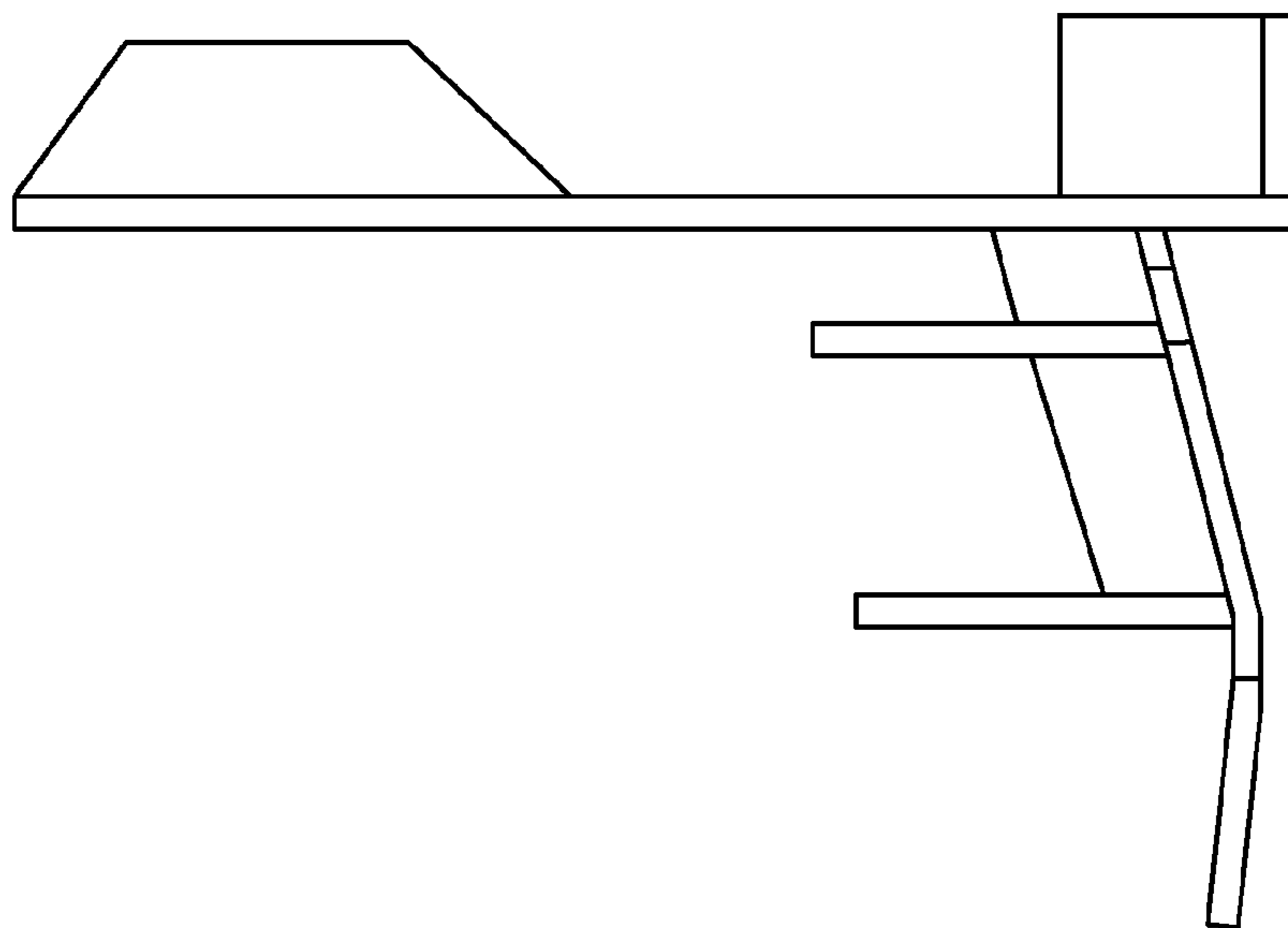


FIG - 4

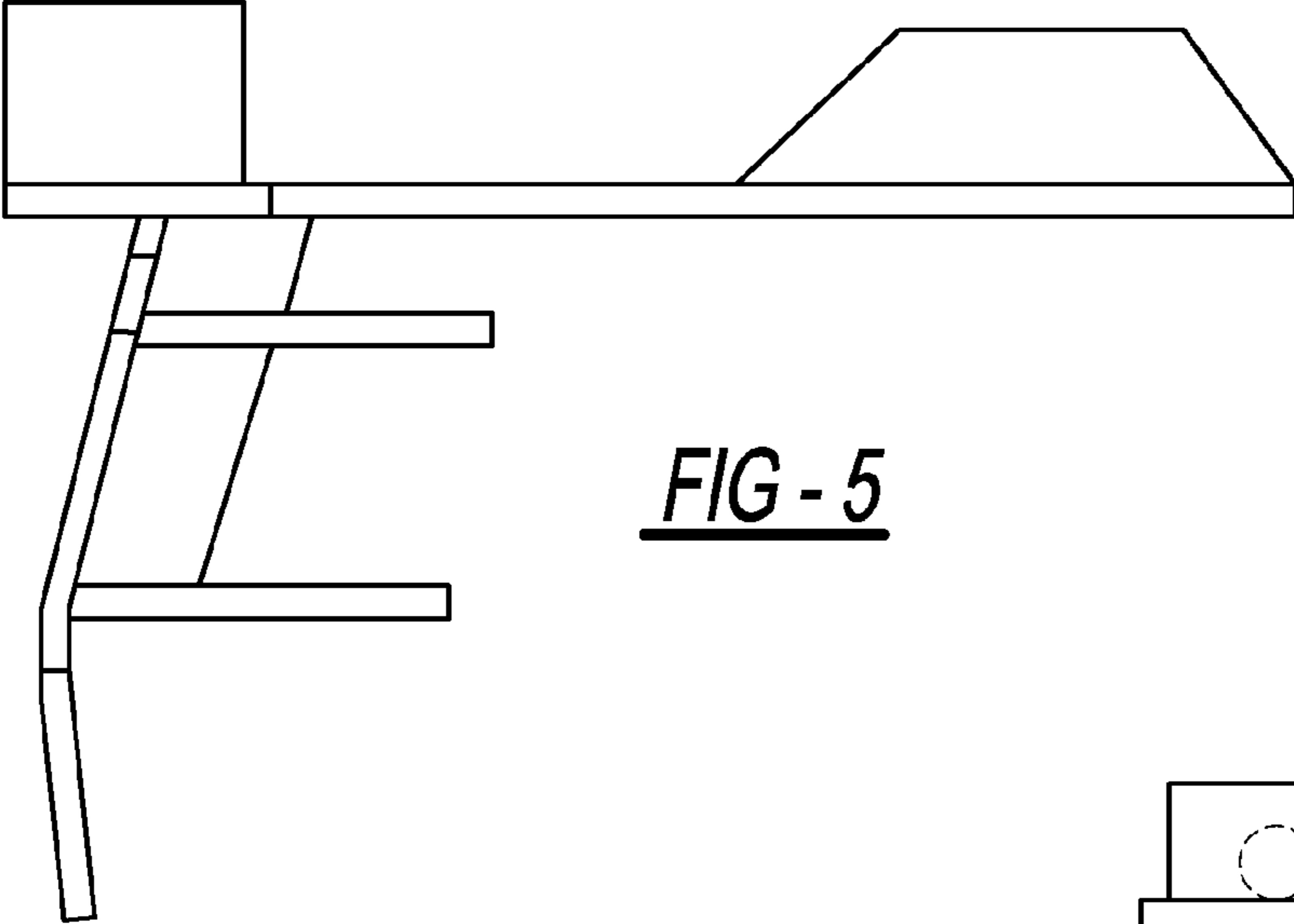


FIG - 5

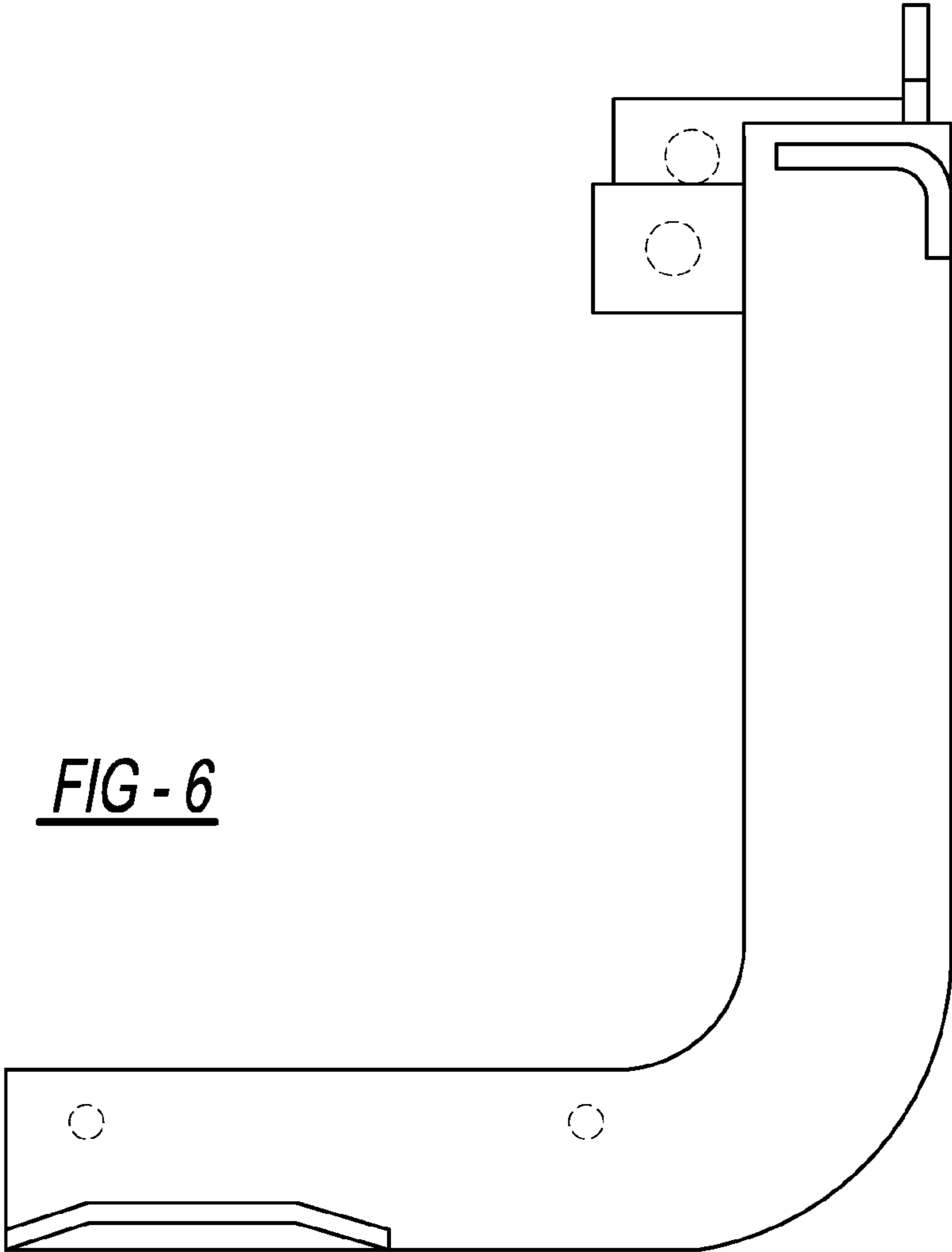


FIG - 6

