



US00D887337S

(12) **United States Design Patent**
Daniel

(10) **Patent No.:** **US D887,337 S**

(45) **Date of Patent:** **** Jun. 16, 2020**

(54) **VEHICLE WHEEL RIM**

(71) Applicant: **AUDI AG**, Ingolstadt (DE)

(72) Inventor: **Tünde Daniel**, Ingolstadt (DE)

(73) Assignee: **AUDI AG**, Ingolstadt (DE)

(**) Term: **15 Years**

(21) Appl. No.: **29/694,670**

(22) Filed: **Jun. 12, 2019**

(30) **Foreign Application Priority Data**

Apr. 29, 2019 (EM) 006405726

(51) **LOC (12) Cl.** **12-16**

(52) **U.S. Cl.**
USPC **D12/209**

(58) **Field of Classification Search**
USPC D12/204–213; D21/563
CPC B60B 7/00; B60B 7/02; B60B 7/04; B60B
7/01; B60B 7/06; B60B 3/02; B60B 3/04;
B60B 3/06; B60B 3/10; B60B 1/00;
B60B 1/08; B60B 1/10; B60B 1/12
See application file for complete search history.

(56) **References Cited**

U.S. PATENT DOCUMENTS

D648,254 S * 11/2011 Barry D12/209
D672,702 S * 12/2012 Pollmann D12/211
D674,330 S * 1/2013 Kito D12/209

D731,389 S * 6/2015 Gotschke D12/211
D731,390 S * 6/2015 Kobayashi D12/211
D751,019 S * 3/2016 Behmer D12/211
D756,883 S * 5/2016 Valencia Pollex D12/211
D765,572 S * 9/2016 Umehara D12/209
D773,370 S * 12/2016 Bucher D12/211
D776,039 S * 1/2017 Valencia Pollex D12/209
D791,039 S * 7/2017 Rueckheim D12/209
D797,635 S * 9/2017 Rueckheim D12/209
D799,395 S * 10/2017 Chung D12/209
D805,457 S * 12/2017 Setter D12/211
D818,927 S * 5/2018 Valencia Pollex D12/209
D849,648 S * 5/2019 Kraljevic D12/209
D856,894 S * 8/2019 Valencia Pollex D12/209
D858,412 S * 9/2019 Daniel D12/209
D859,268 S * 9/2019 Rosello Visa D12/209
D859,269 S * 9/2019 Daniel D12/209
D862,351 S * 10/2019 Bjerke D12/209
D877,026 S * 3/2020 Rosello Visa D12/209

* cited by examiner

Primary Examiner — Stacia A Cadmus

(74) *Attorney, Agent, or Firm* — Lucas & Mercanti, LLP;
Klaus P. Stoffel

(57) **CLAIM**

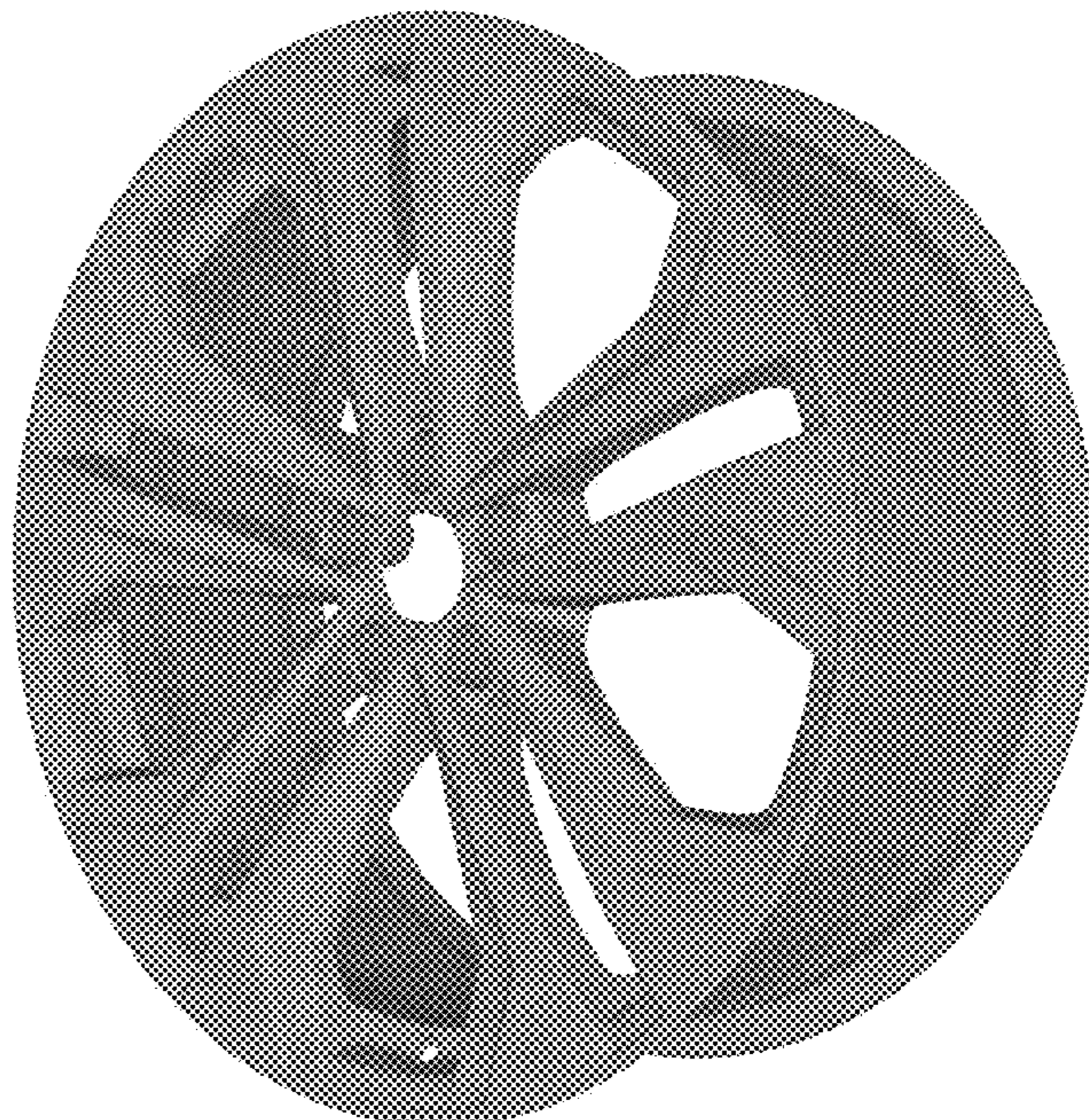
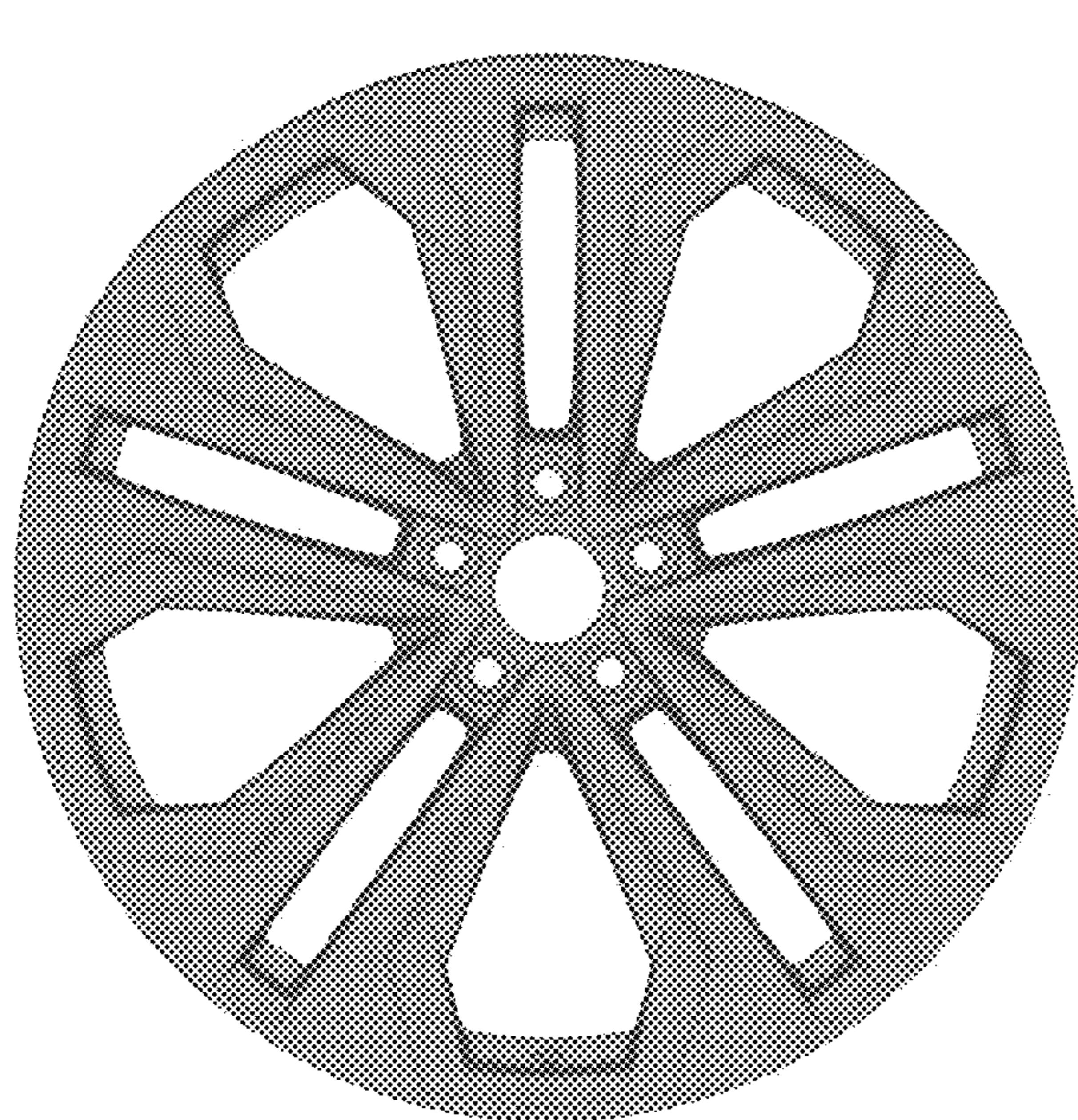
The ornamental design for a vehicle wheel rim, as shown and described.

DESCRIPTION

FIG. 1 is a front view of the vehicle wheel rim of the present invention; and,

FIG. 2 is a front, side perspective view thereof.

1 Claim, 2 Drawing Sheets



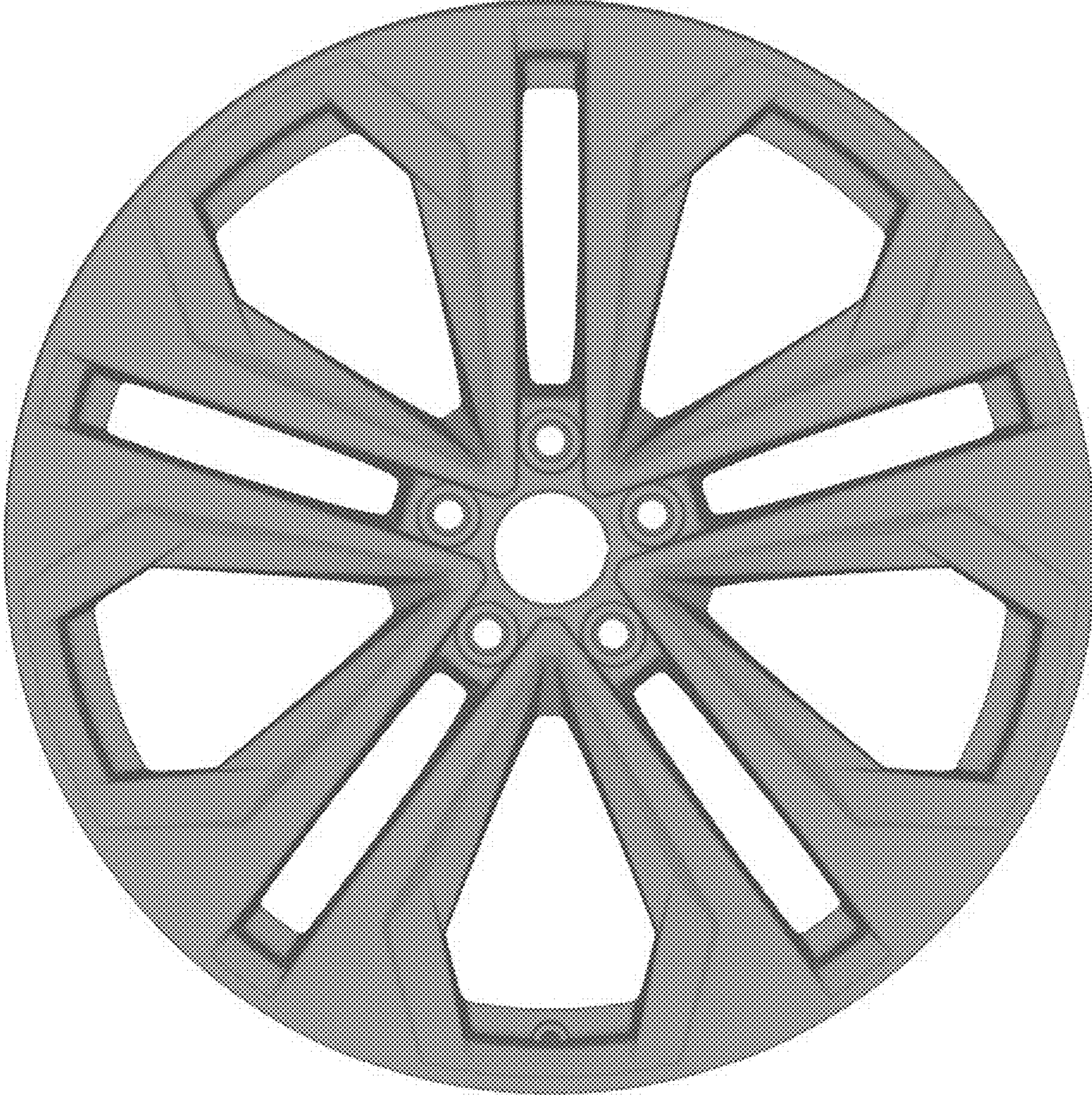


Fig. 1



Fig. 2