



US00D887336S

(12) **United States Design Patent**  
**Metros et al.**

(10) **Patent No.:** **US D887,336 S**  
(45) **Date of Patent:** **\*\* Jun. 16, 2020**

(54) **VEHICLE WHEEL**

(71) Applicant: **Ford Global Technologies, LLC,**  
Dearborn, MI (US)

(72) Inventors: **Craig Metros,** Bloomfield, MI (US);  
**George Bucher,** Dearborn, MI (US);  
**James Grake,** Beverly Hills, MI (US);  
**Albert Kim,** Northville, MI (US);  
**Adam Riccobelli,** Ferndale, MI (US)

(73) Assignee: **Ford Global Technologies, LLC,**  
Dearborn, MI (US)

(\*\*) Term: **15 Years**

(21) Appl. No.: **29/685,416**

(22) Filed: **Mar. 28, 2019**

(51) **LOC (12) Cl.** ..... **12-16**

(52) **U.S. Cl.**  
USPC ..... **D12/209**

(58) **Field of Classification Search**  
USPC ..... D12/204–213; D21/563  
CPC .... B60B 7/00; B60B 7/02; B60B 7/04; B60B  
7/01; B60B 7/06; B60B 3/02; B60B 3/04;  
B60B 3/06; B60B 3/10; B60B 1/00;  
B60B 1/08; B60B 1/10; B60B 1/12  
See application file for complete search history.

(56) **References Cited**

U.S. PATENT DOCUMENTS

D436,907 S \* 1/2001 Ong ..... D12/209  
D470,093 S \* 2/2003 Frizzi ..... D12/209  
D522,431 S \* 6/2006 Hieke ..... D12/209  
D540,236 S \* 4/2007 Hamano ..... D12/209

D574,310 S \* 8/2008 Huet ..... D12/209  
D591,217 S \* 4/2009 Klein ..... D12/209  
D613,656 S \* 4/2010 Antoniadis ..... D12/209  
D624,476 S \* 9/2010 Goto ..... D12/209  
D626,486 S \* 11/2010 Jung ..... D12/209  
D643,356 S 8/2011 Gotschke  
D644,154 S \* 8/2011 Antoniadis ..... D12/209  
D644,587 S 9/2011 Gotschke  
D647,449 S 10/2011 Gotschke  
D667,355 S 9/2012 Gotschke  
D667,767 S 9/2012 Gotschke  
D674,329 S \* 1/2013 Bildhaeuser ..... D12/209  
D690,248 S \* 9/2013 Bildhaeuser ..... D12/209  
D725,567 S \* 3/2015 George ..... D12/209  
D761,180 S 7/2016 Bucher et al.  
D761,181 S 7/2016 Bucher et al.  
D763,762 S \* 8/2016 Ghobrial ..... D12/209  
D773,370 S 12/2016 Bucher et al.  
D773,371 S 12/2016 Bucher et al.  
D778,801 S 2/2017 Bucher et al.  
D787,406 S \* 5/2017 Piscitelli ..... D12/209  
D791,047 S 7/2017 Bucher et al.  
D791,671 S 7/2017 Bucher et al.  
D803,136 S \* 11/2017 Platto ..... D12/211  
D877,020 S \* 3/2020 Valencia Pollex ..... D12/209

\* cited by examiner

*Primary Examiner* — Stacia A Cadmus

(74) *Attorney, Agent, or Firm* — Vichit Chea

(57) **CLAIM**

The ornamental design for a vehicle wheel, as shown and described.

**DESCRIPTION**

FIG. 1 is a front elevational view of a vehicle wheel showing our new design; and, FIG. 2 is a side perspective view of a front face thereof.

**1 Claim, 2 Drawing Sheets**

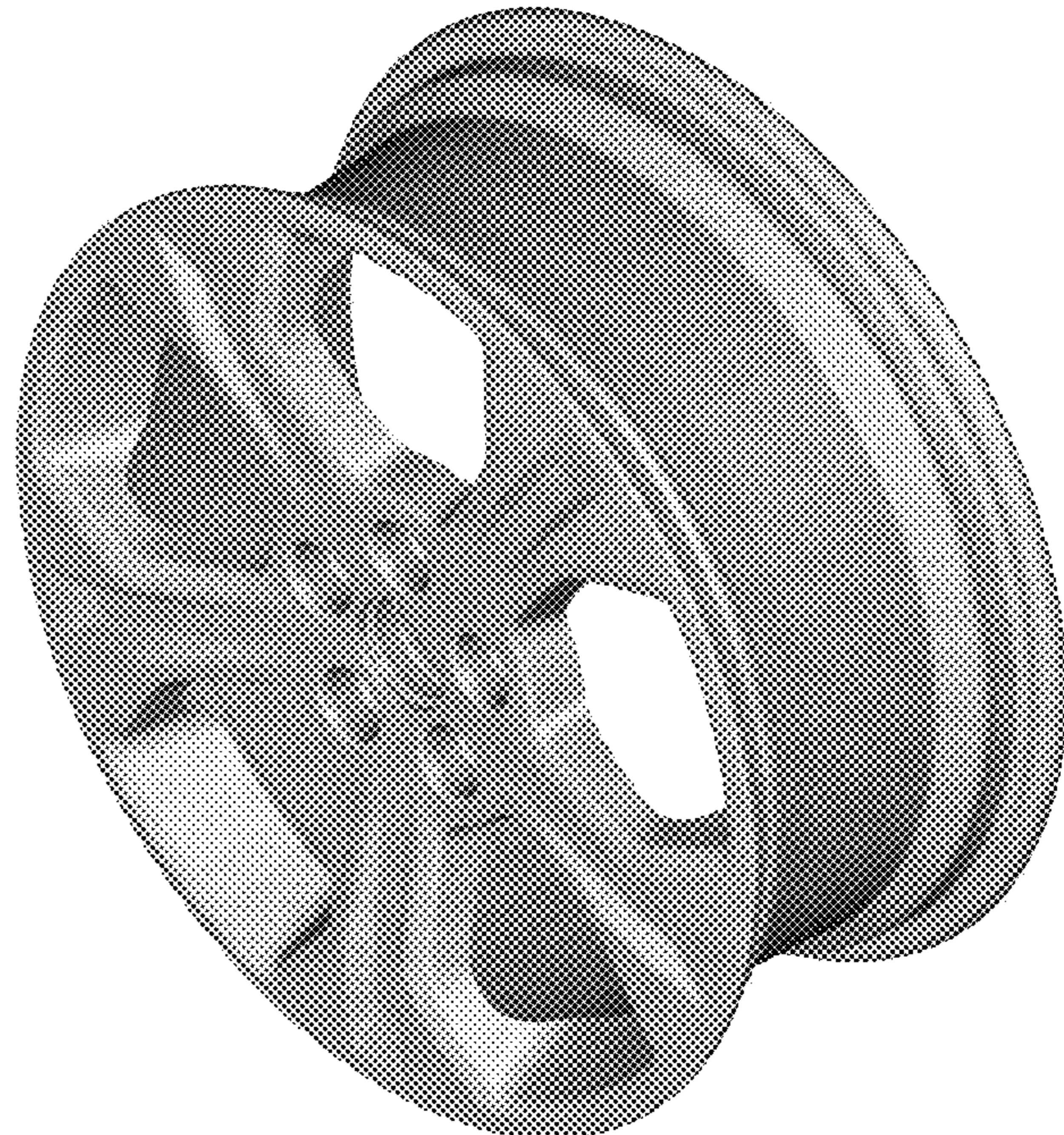
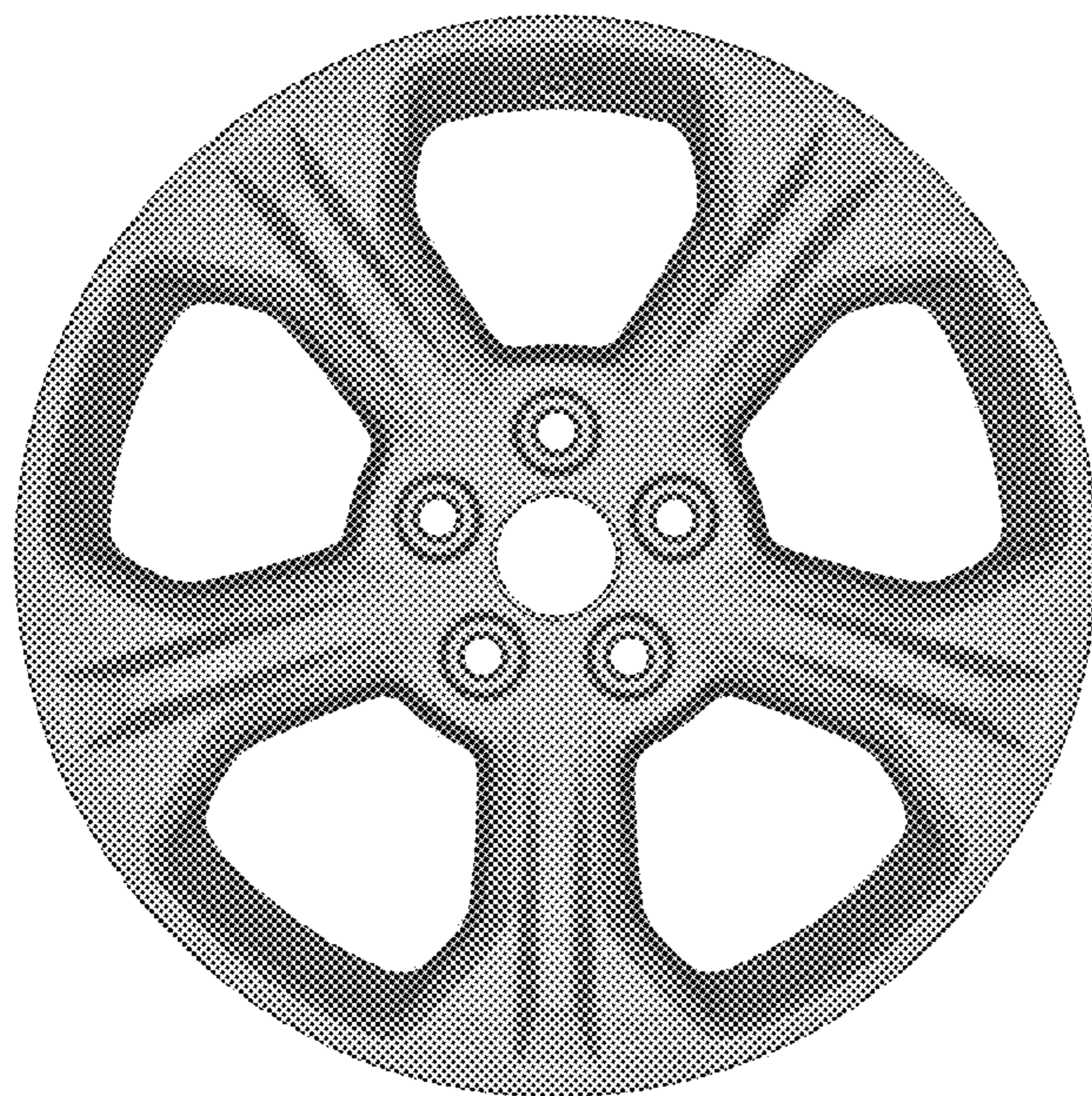






Fig. 1



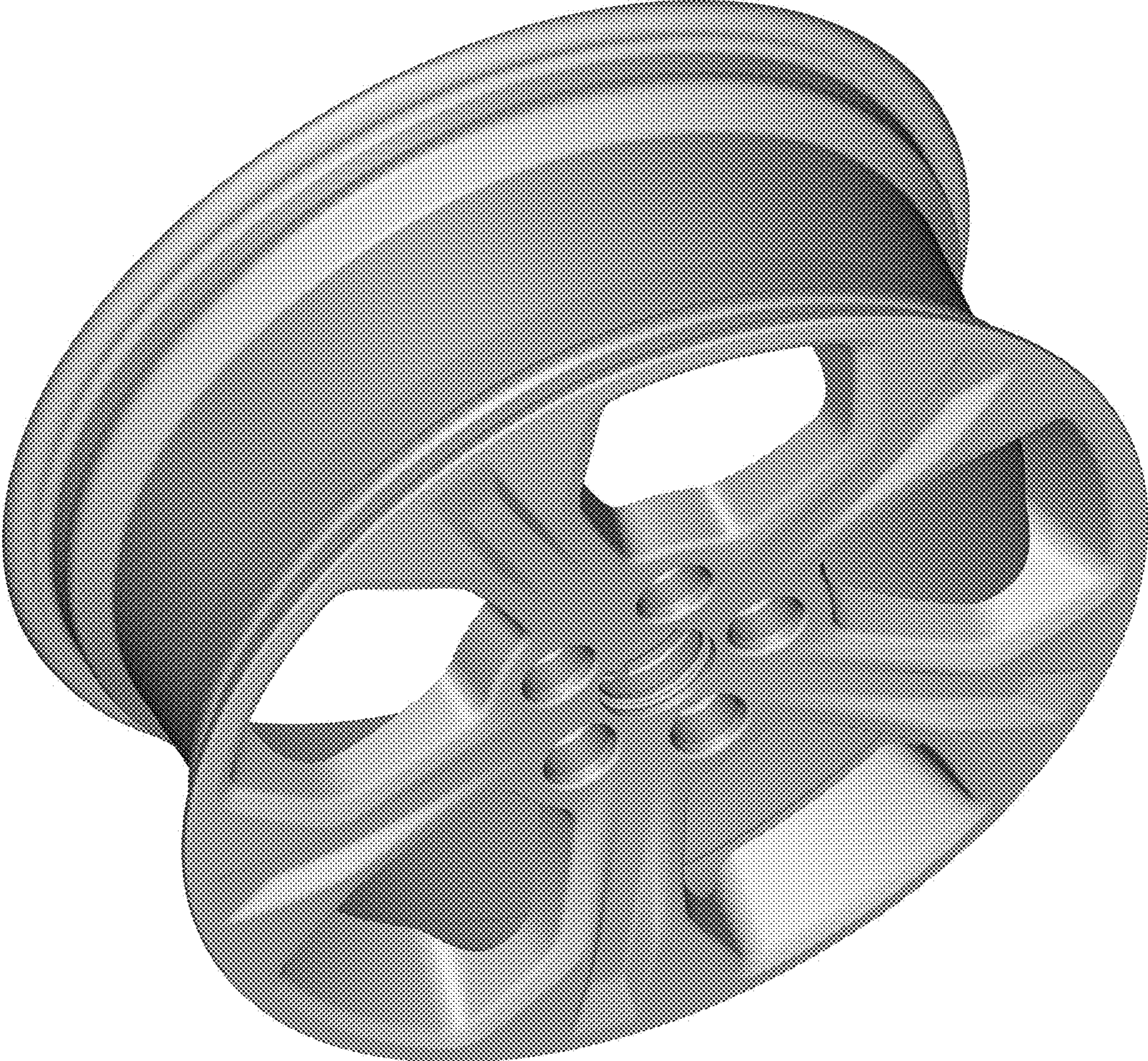


Fig. 2