



US00D887334S

(12) **United States Design Patent**  
**Kim et al.**

(10) **Patent No.:** **US D887,334 S**

(45) **Date of Patent:** **\*\* Jun. 16, 2020**

(54) **WHEEL HUB**

(71) Applicant: **GUANGZHOU AUTOMOBILE GROUP CO., LTD.**, Guangzhou, Guangdong (CN)

(72) Inventors: **Eric Kim**, Guangdong (CN); **Iliya Bridan**, Guangdong (CN); **Zhongqu Liu**, Guangdong (CN); **Jiuxiang Zhong**, Guangdong (CN); **Joan Pontus Anthony Fontaeus**, Guangdong (CN); **Hanchun Yang**, Guangdong (CN)

(73) Assignee: **GUANGZHOU AUTOMOBILE GROUP CO., LTD.**, Guangzhou (CN)

(\*\*) Term: **15 Years**

(21) Appl. No.: **29/695,726**

(22) Filed: **Jun. 21, 2019**

(30) **Foreign Application Priority Data**

Dec. 29, 2018 (CN) ..... 2018 3 0772420

(51) **LOC (12) Cl.** ..... **12-16**

(52) **U.S. Cl.**  
USPC ..... **D12/204**

(58) **Field of Classification Search**  
USPC ..... D12/204-213; D21/563  
CPC .... B60B 7/00; B60B 7/02; B60B 7/04; B60B 7/01; B60B 7/06; B60B 3/02; B60B 3/04; B60B 3/06; B60B 3/10; B60B 1/00; B60B 1/08; B60B 1/10; B60B 1/12  
See application file for complete search history.

(56) **References Cited**

U.S. PATENT DOCUMENTS

D782,384 S *	3/2017	Oh	.....	D12/209
D803,127 S *	11/2017	Weil	.....	D12/204
D824,309 S *	7/2018	Oh	.....	D12/209
D860,090 S *	9/2019	Lim	.....	D12/204
D862,342 S *	10/2019	LeFranc	.....	D12/209
D871,993 S *	1/2020	Swygert	.....	D12/209
D875,636 S *	2/2020	Pena	.....	D12/204
D877,017 S *	3/2020	Baum	.....	D12/209

\* cited by examiner

*Primary Examiner* — Stacia A Cadmus

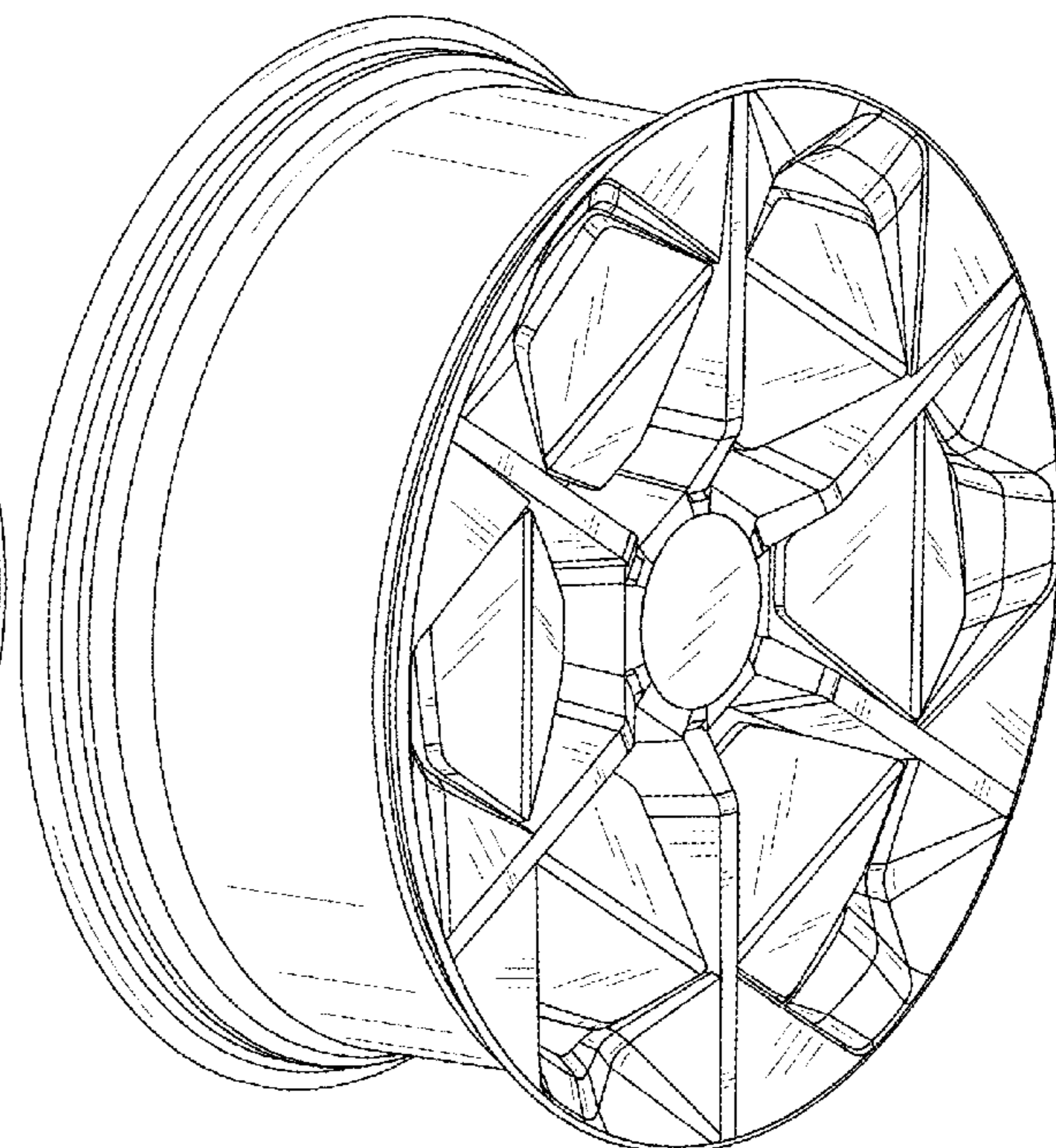
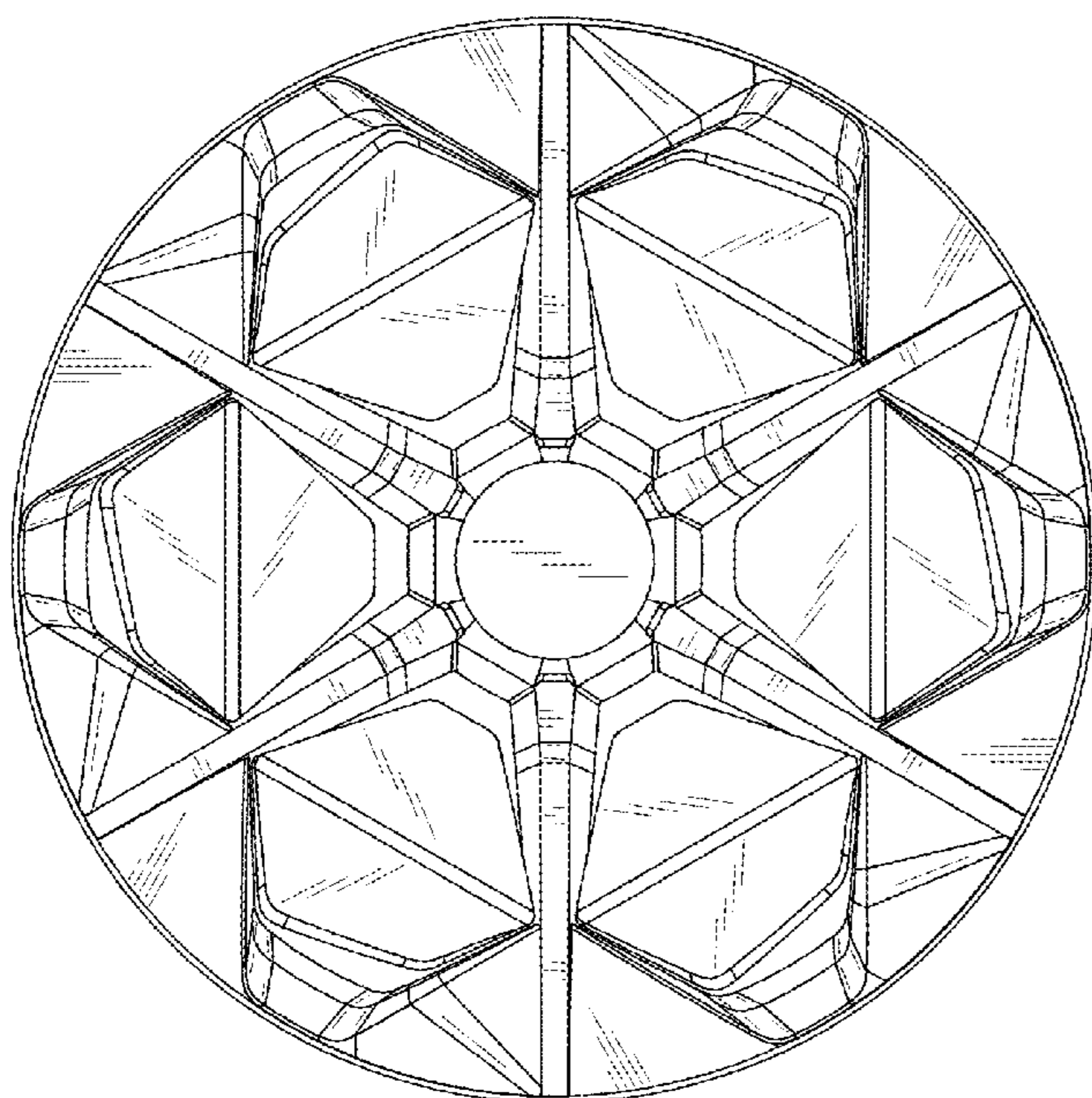
(57) **CLAIM**

The ornamental design for a wheel hub, as shown and described.

**DESCRIPTION**

FIG. 1 is a front elevational view of a wheel hub showing our new design;  
FIG. 2 is a left side view thereof;  
FIG. 3 is a right side view thereof;  
FIG. 4 is a top plan view thereof;  
FIG. 5 is a bottom plan view thereof; and,  
FIG. 6 is a top, front and left side perspective view thereof.

**1 Claim, 4 Drawing Sheets**



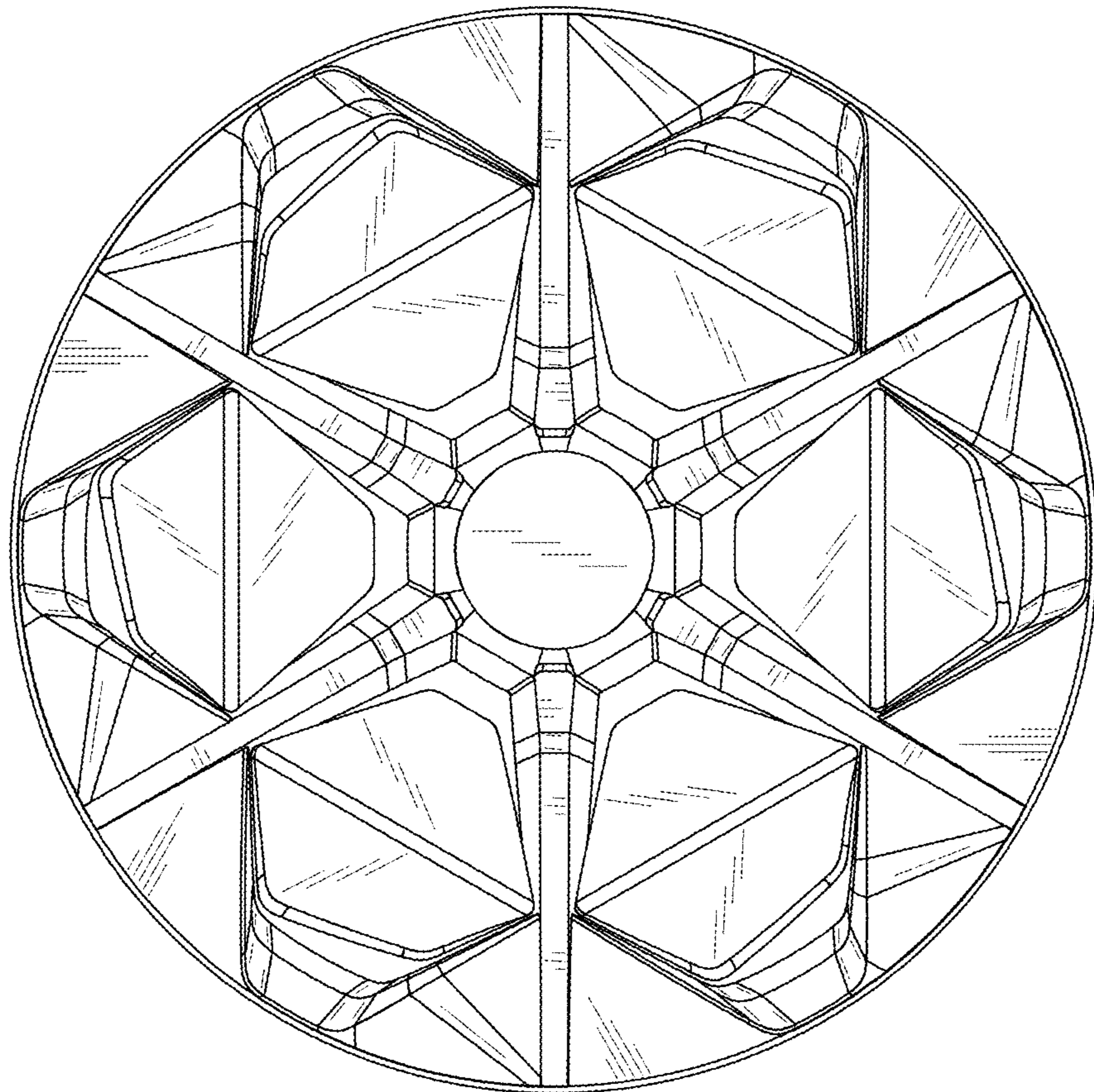


FIG.1

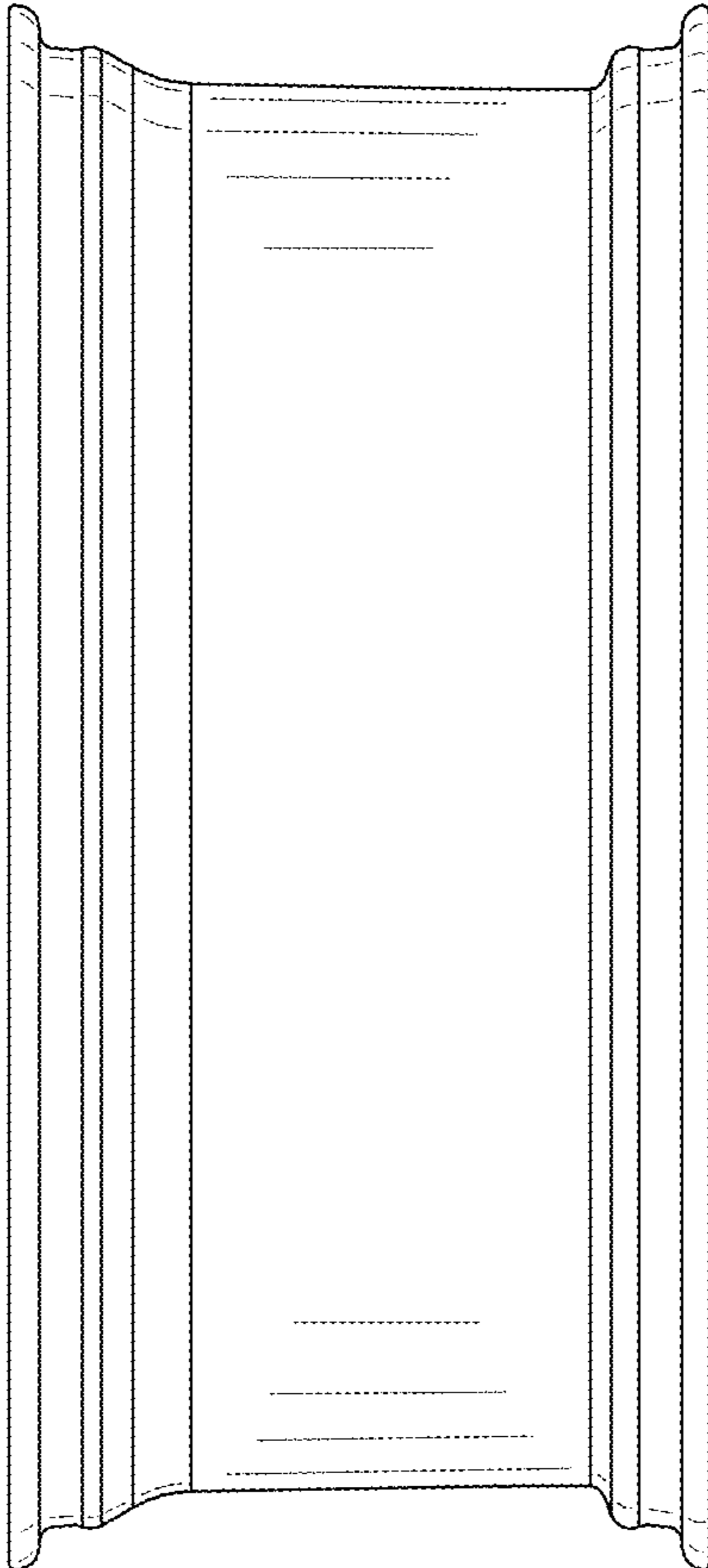


FIG. 2

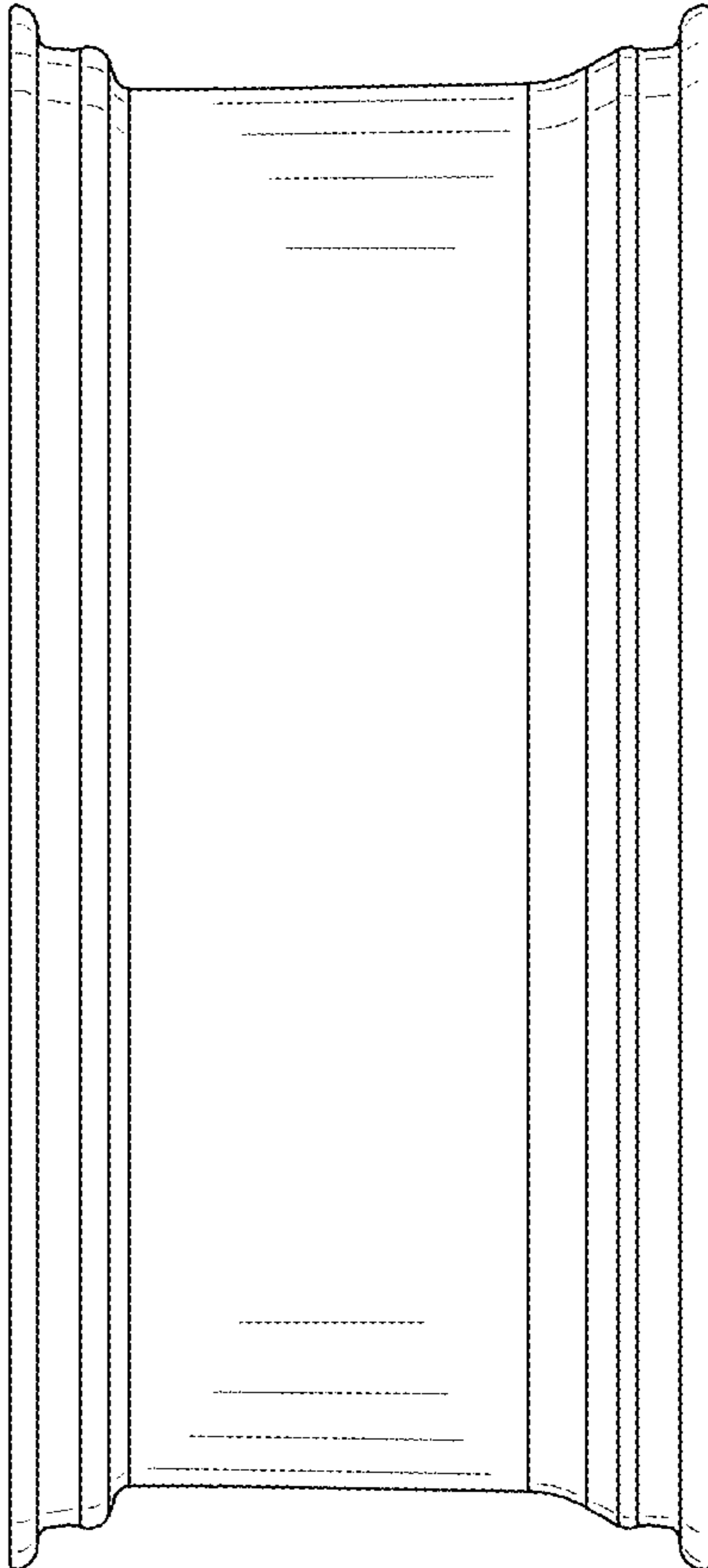


FIG. 3

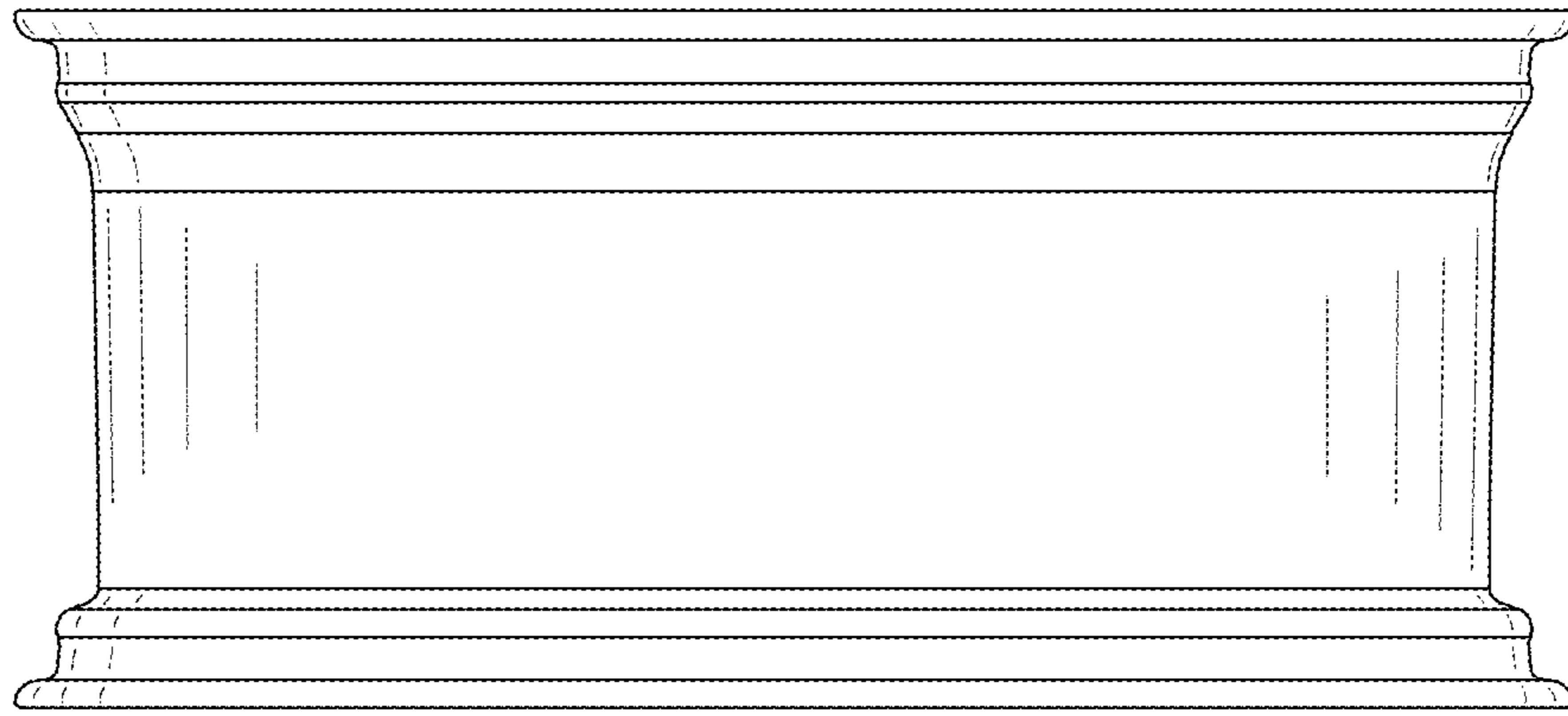


FIG. 4

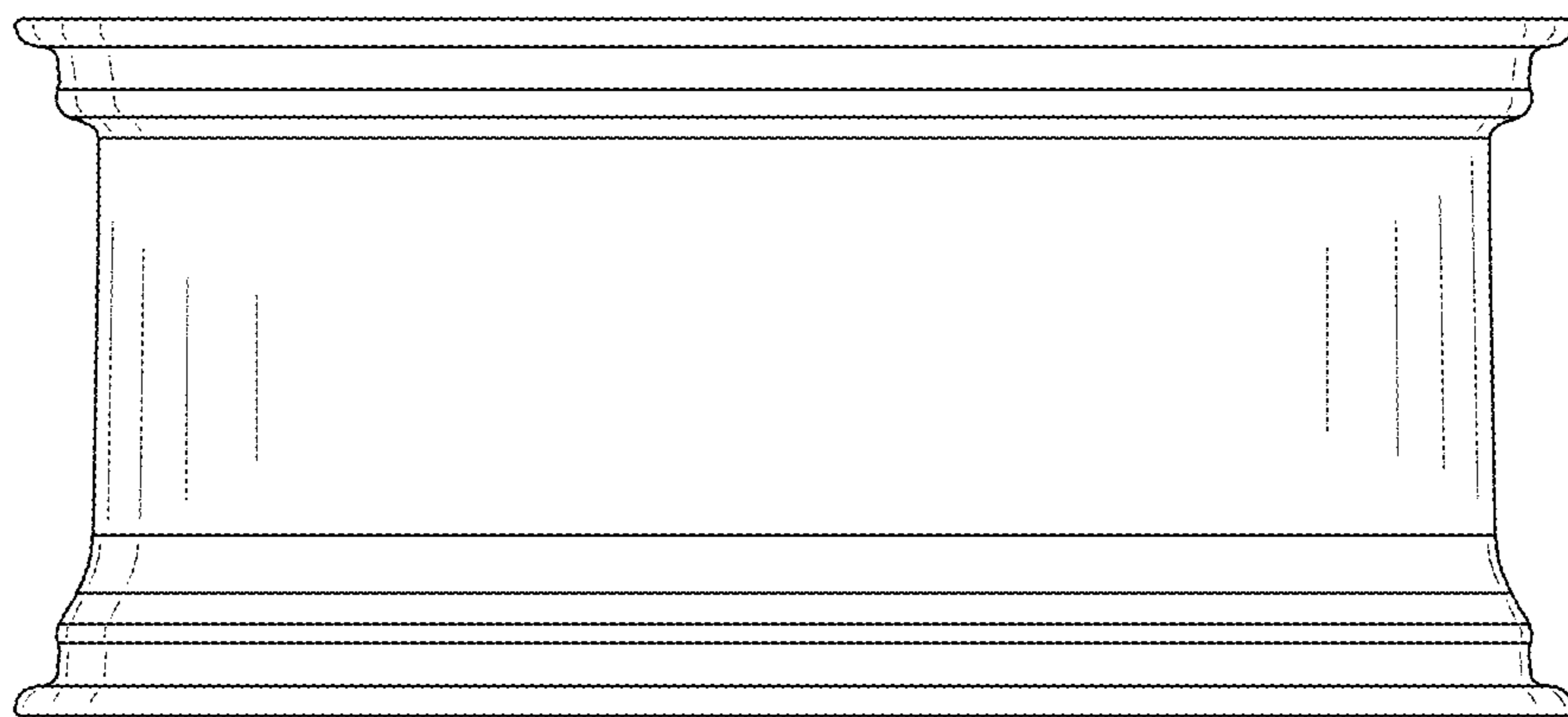


FIG. 5

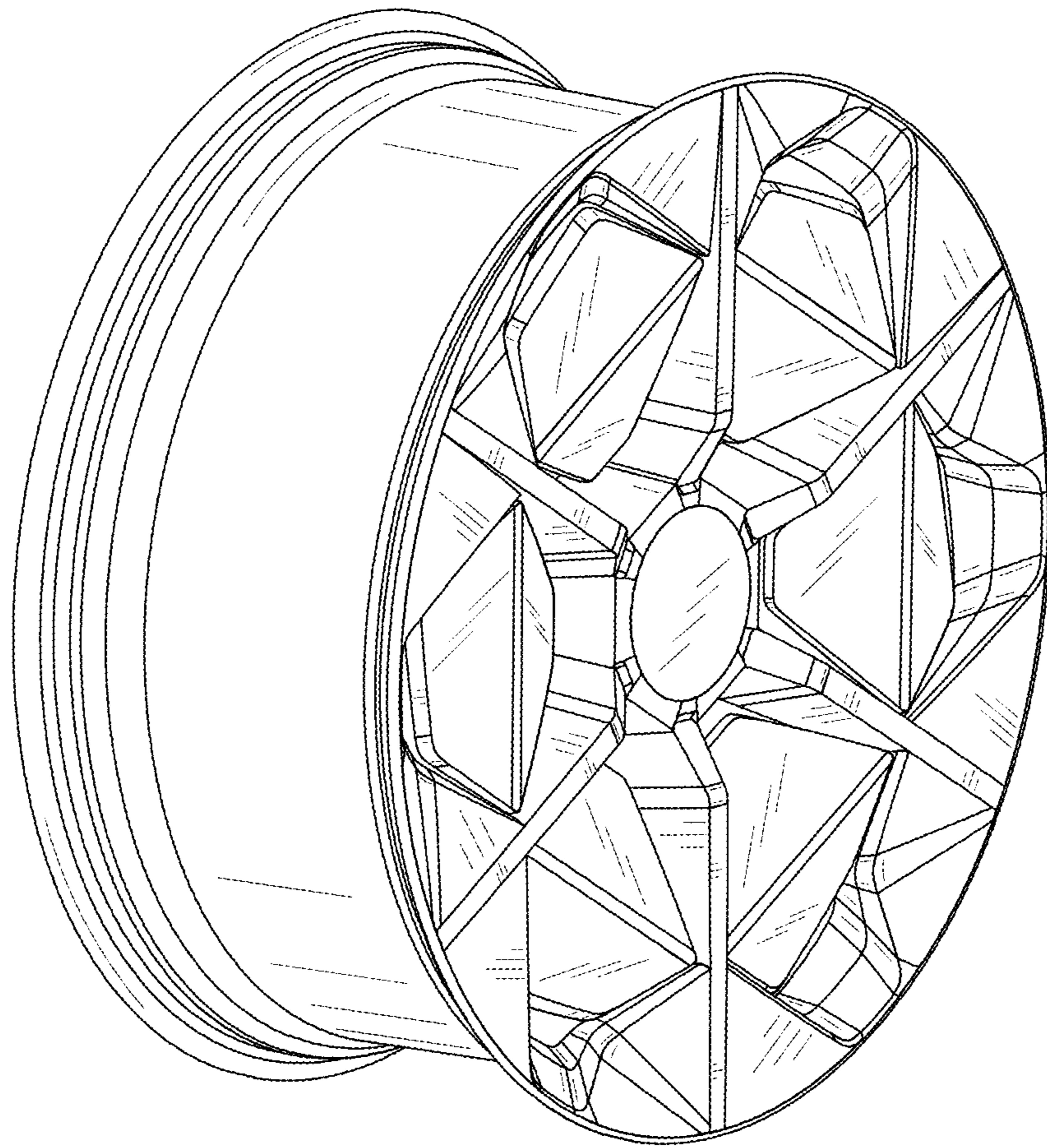


FIG.6