



US00D887333S

(12) **United States Design Patent** (10) **Patent No.:** **US D887,333 S**  
**Owens et al.** (45) **Date of Patent:** **\*\* Jun. 16, 2020**

(54) **LIFTGATE**

(56) **References Cited**

(71) Applicants: **John S. Owens**, Pleasant Ridge, MI (US); **Irina Zavatski**, Rochester Hills, MI (US)

(72) Inventors: **John S. Owens**, Pleasant Ridge, MI (US); **Irina Zavatski**, Rochester Hills, MI (US)

(73) Assignee: **FCA US LLC**, Auburn Hills, MI (US)

(\*\*) Term: **15 Years**

(21) Appl. No.: **29/684,111**

(22) Filed: **Mar. 19, 2019**

U.S. PATENT DOCUMENTS

D592,577 S *	5/2009	Lamm .....	D12/196
D638,338 S *	5/2011	Huet .....	D12/196
D680,931 S *	4/2013	Schmeckpeper .....	D12/196
D698,717 S *	2/2014	Kobayashi .....	D12/196
D736,686 S *	8/2015	Mueller-Stolz .....	D12/196
D749,480 S *	2/2016	Yu .....	D12/196
D764,993 S *	8/2016	Messale .....	D12/196

\* cited by examiner

*Primary Examiner* — George D. Kirschbaum

*Assistant Examiner* — Joseph J Kukella

(74) *Attorney, Agent, or Firm* — Ralph E. Smith

(57) **CLAIM**

The ornamental design for a liftgate, as shown and described.

**DESCRIPTION**

FIG. 1 is a front perspective view of a liftgate showing our new design;

FIG. 2 is a front view thereof;

FIG. 3 is a rear view thereof;

FIG. 4 is a left side view thereof;

FIG. 5 is a right side view thereof;

FIG. 6 is a top plan view thereof; and,

FIG. 7 is a bottom view thereof.

It will be understood that the broken lines shown in the drawings illustrate portions of the liftgate that form no part of the claimed design.

**Related U.S. Application Data**

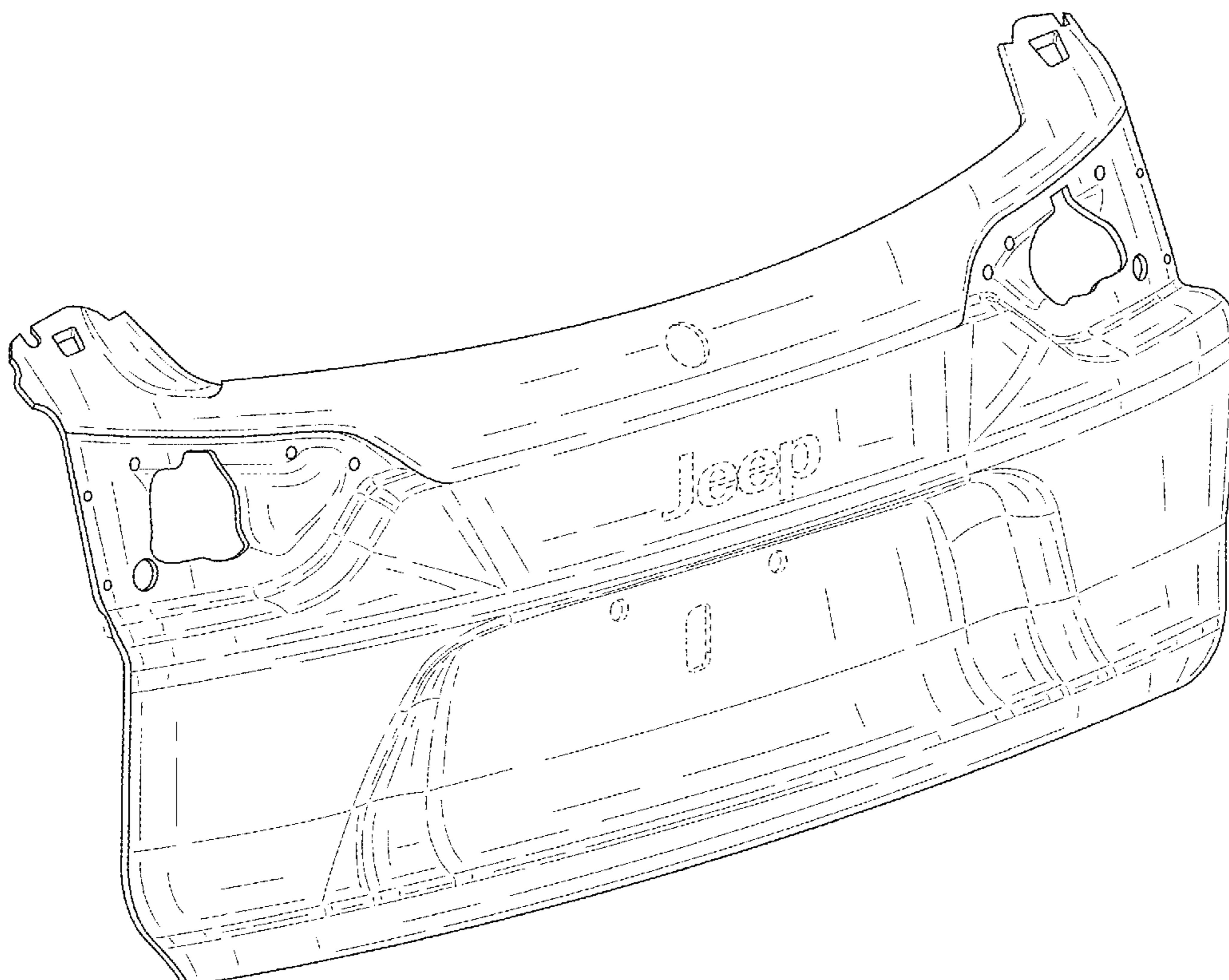
(63) Continuation-in-part of application No. 29/634,829, filed on Jan. 25, 2018, now Pat. No. Des. 847,025.

(51) **LOC (12) Cl.** ..... **12-16**

(52) **U.S. Cl.**  
USPC ..... **D12/196**

(58) **Field of Classification Search**  
USPC ..... D12/90, 91, 92, 93, 96, 196  
CPC .. B62D 25/02; B62D 25/04; B60J 5/00; B60J 5/02; B60J 5/04; B60J 5/10  
See application file for complete search history.

**1 Claim, 5 Drawing Sheets**



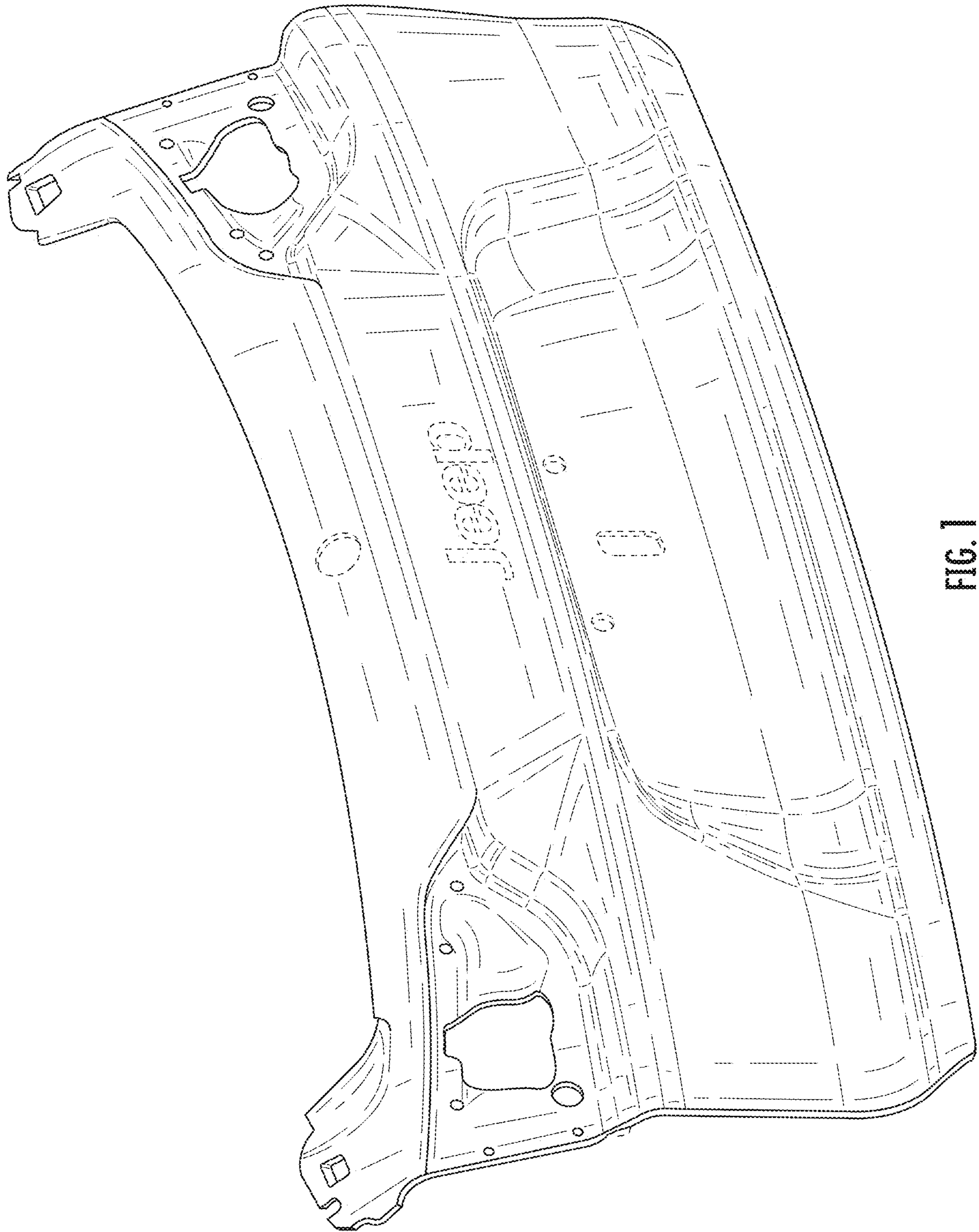


FIG. 1

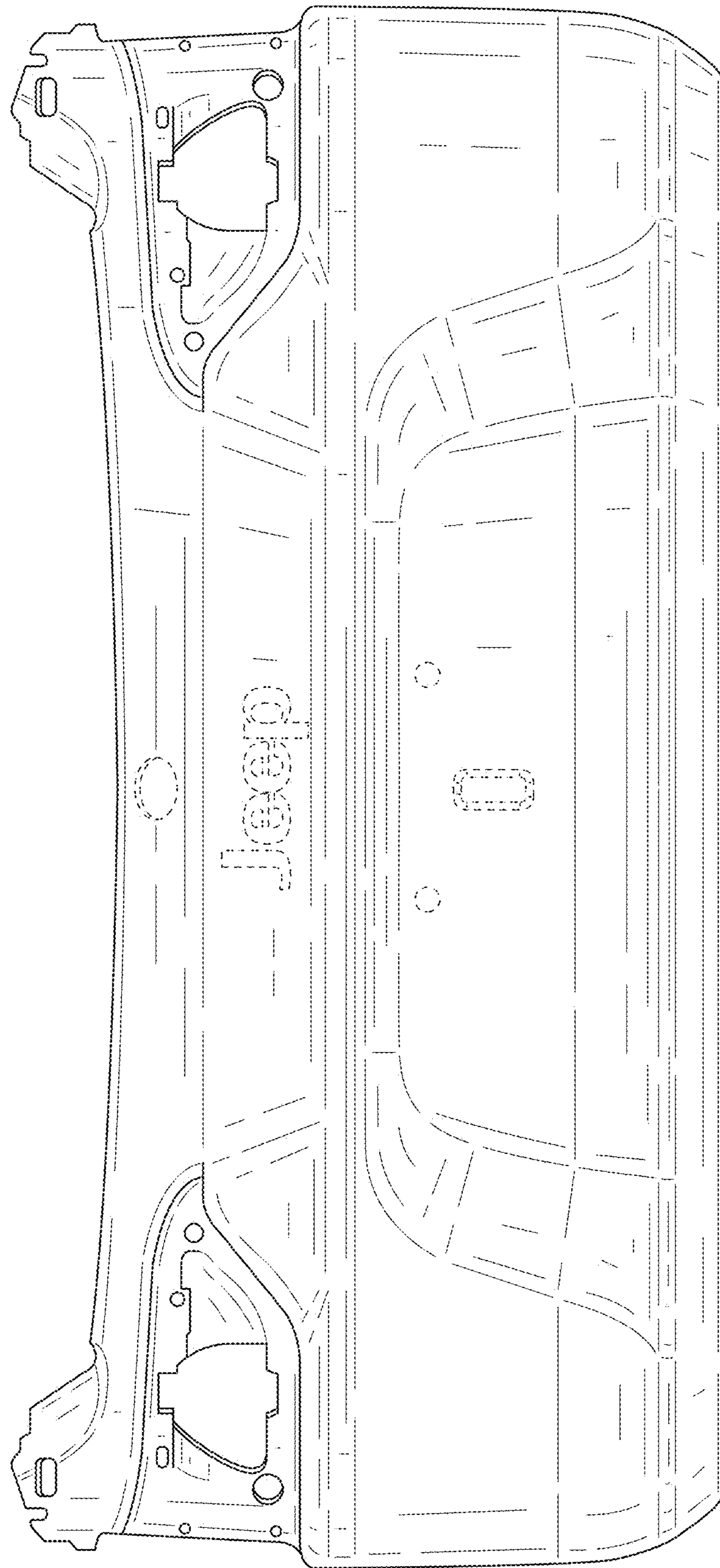


FIG. 2

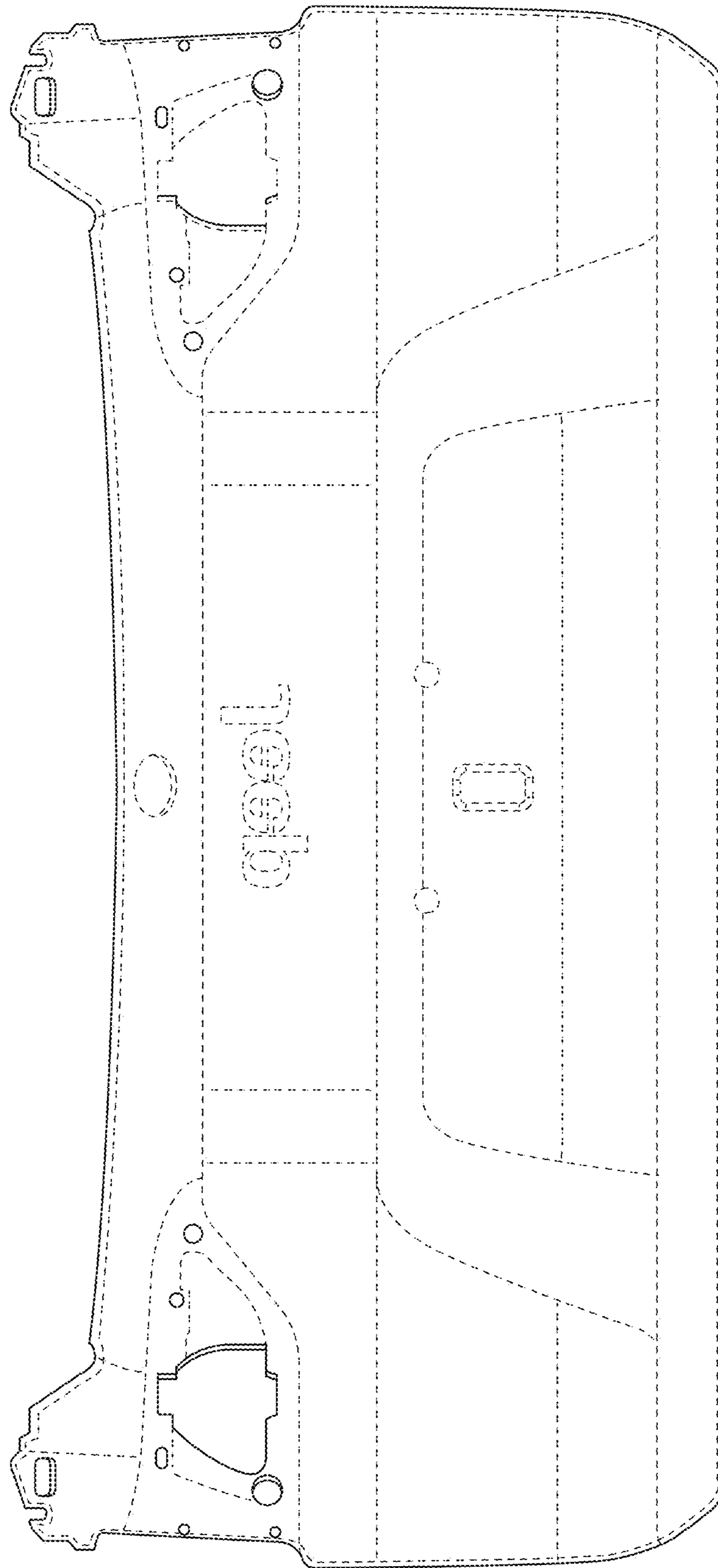


FIG. 3

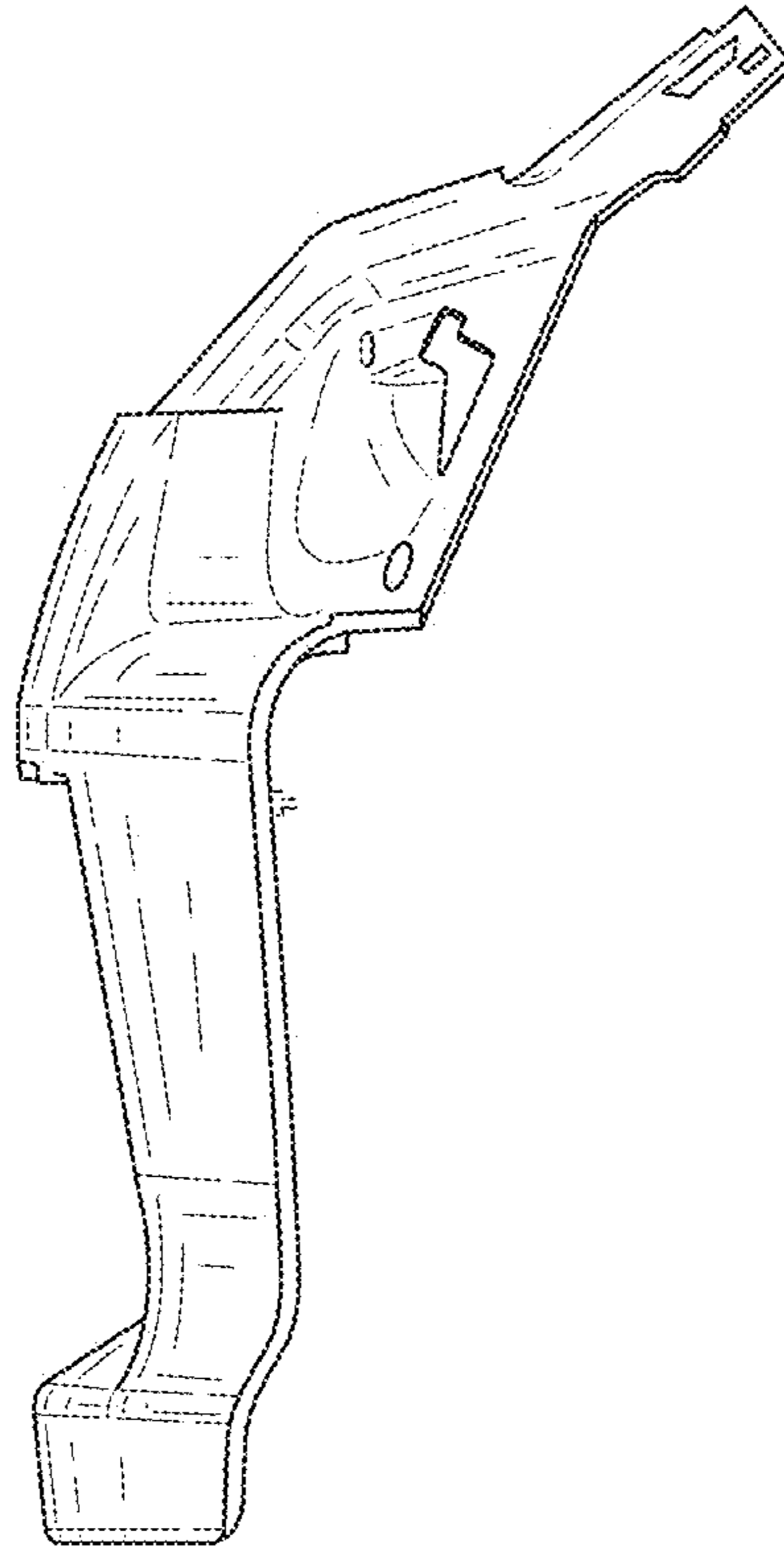


FIG. 4

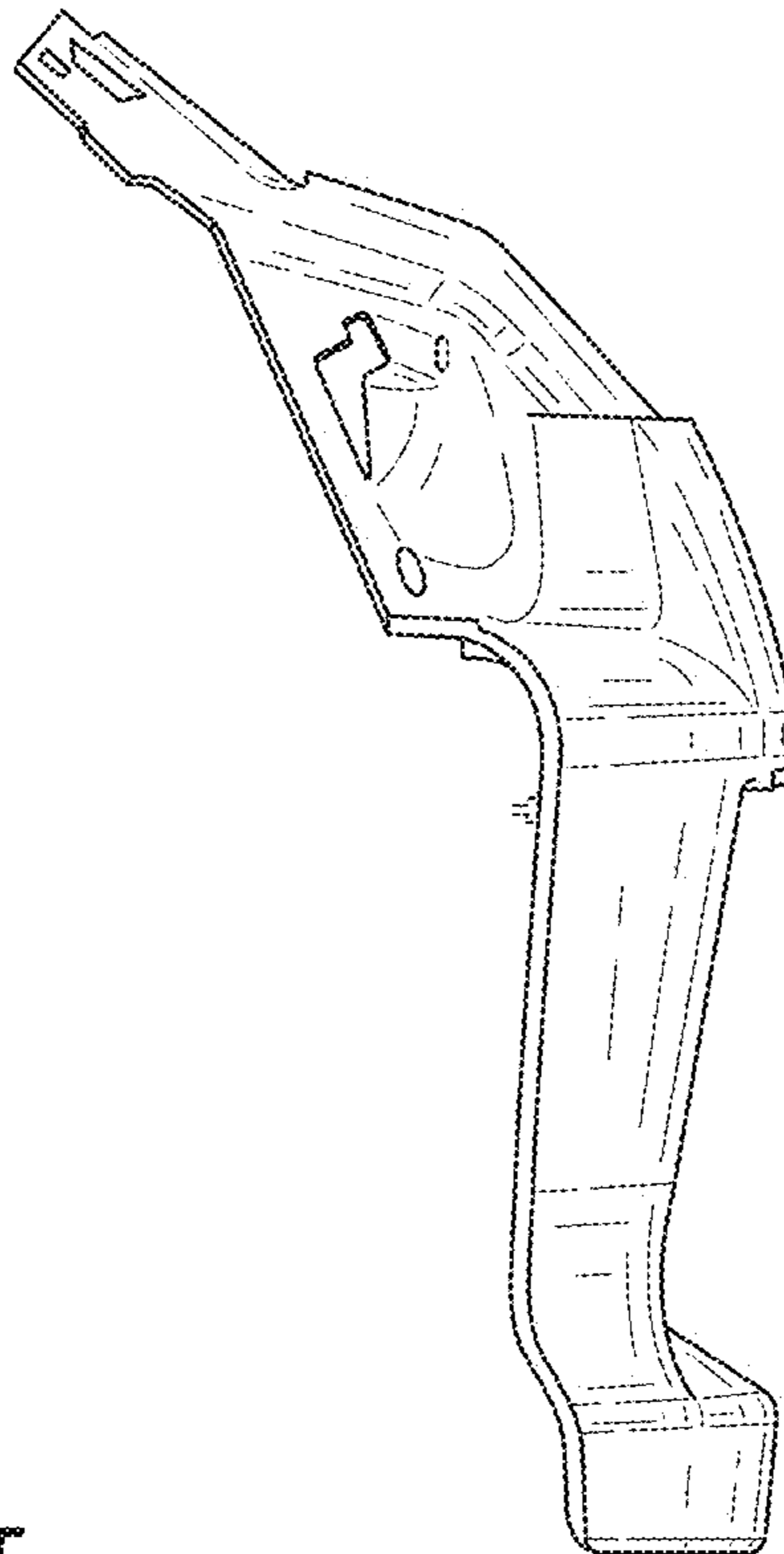


FIG. 5

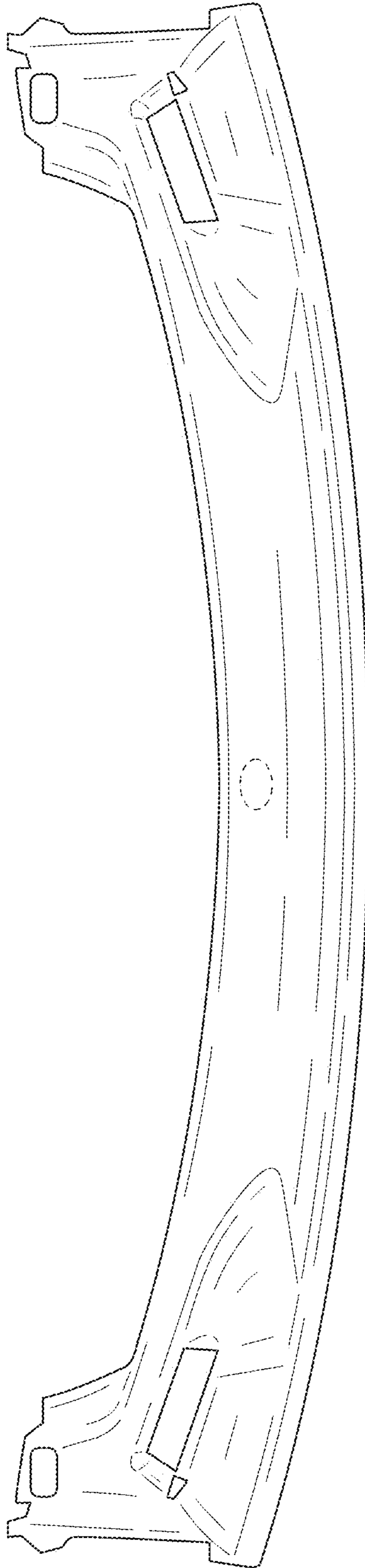


FIG. 6

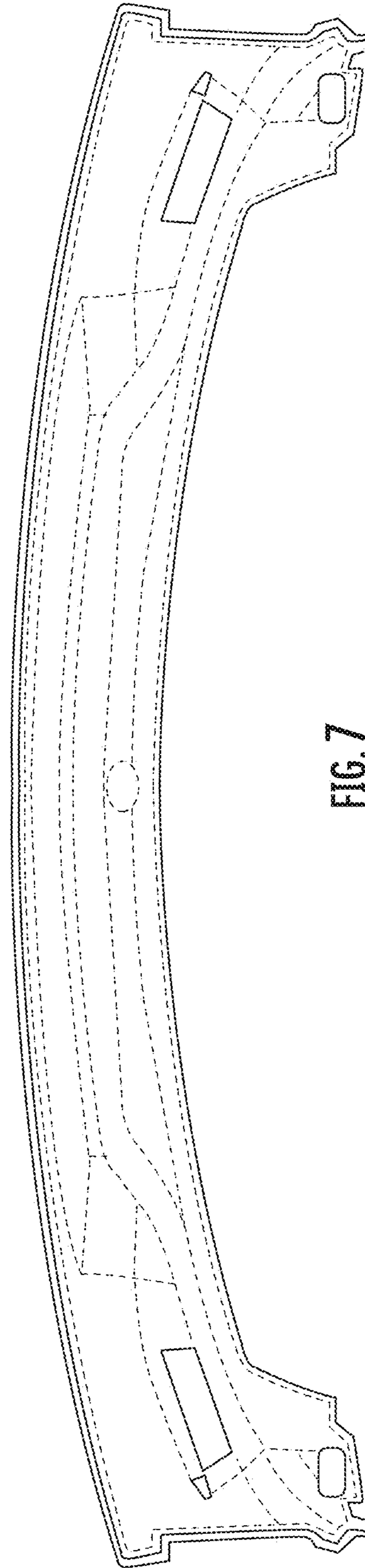


FIG. 7