



US00D887332S

(12) **United States Design Patent** (10) **Patent No.:** **US D887,332 S**  
**Neathery et al.** (45) **Date of Patent:** **\*\* Jun. 16, 2020**

(54) **INSTRUMENT PANEL**  
(71) Applicant: **CATERPILLAR INC.**, Deerfield, IL (US)  
(72) Inventors: **Brian Philip Neathery**, Hockley, TX (US); **Adnan Kadribasic**, Hono (SE)  
(73) Assignee: **Caterpillar Inc.**, Peoria, IL (US)  
(\*\*) Term: **15 Years**  
(21) Appl. No.: **29/677,150**  
(22) Filed: **Jan. 17, 2019**  
(51) **LOC (12) Cl.** ..... **12-16**  
(52) **U.S. Cl.**  
USPC ..... **D12/192**  
(58) **Field of Classification Search**  
USPC ..... D12/192, 415, 114, 345; D15/17, 28; D23/324; D10/46, 98, 102-103, 122-127  
CPC ..... B60H 1/34; B60H 1/3407; B60H 1/3414; B60H 1/3421; B60H 1/3428; B60H 1/3435; B60H 1/3442; B60H 1/345; B60H 1/3457; B60H 2001/3464; B60H 2001/3471; B60H 2001/3478; B60H 2001/3485  
See application file for complete search history.

D849,622 S \* 5/2019 Woodhouse ..... D12/192  
D856,880 S \* 8/2019 Tomasson ..... D12/192  
D867,948 S \* 11/2019 Engelmann ..... D12/192  
2009/0197486 A1 8/2009 Szilagyi et al.  
2014/0125876 A1\* 5/2014 Nakayama ..... H04N 5/64 348/837  
2017/0274773 A1\* 9/2017 Woodhouse ..... B60K 35/00  
2017/0315354 A1\* 11/2017 Park ..... G02B 27/0149

**OTHER PUBLICATIONS**

U.S. Appl. No. 16/047,209 of Brian Neathery et al., titled "Marine Drive Control of a Marine Vessel in a Configured Operation Mode," filed Jul. 27, 2018.

\* cited by examiner

*Primary Examiner* — Katrina A Betton  
(74) *Attorney, Agent, or Firm* — Finnegan, Henderson, Farabow, Garrett & Dunner, LLP

(57) **CLAIM**

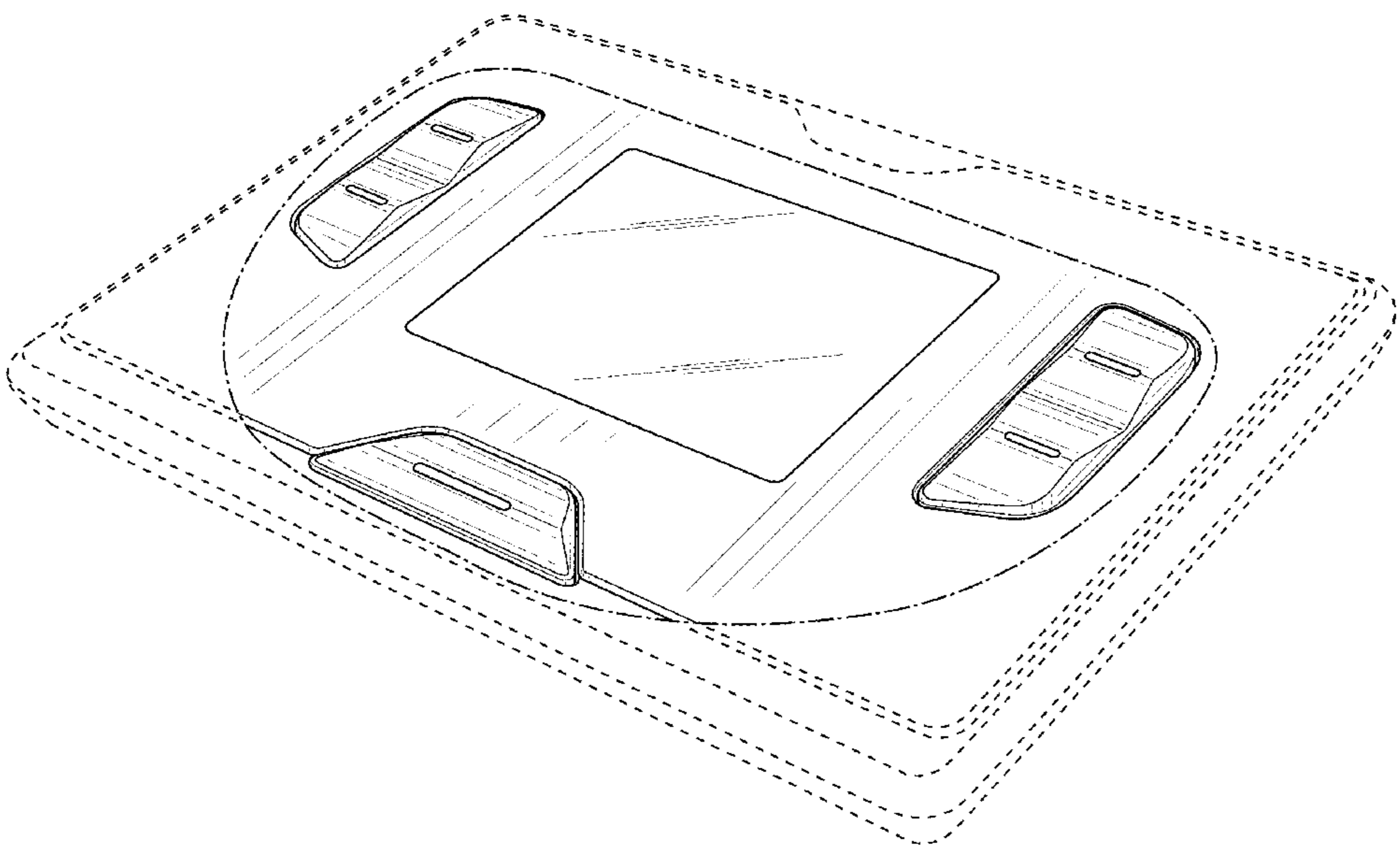
The ornamental design for an instrument panel, as shown and described.

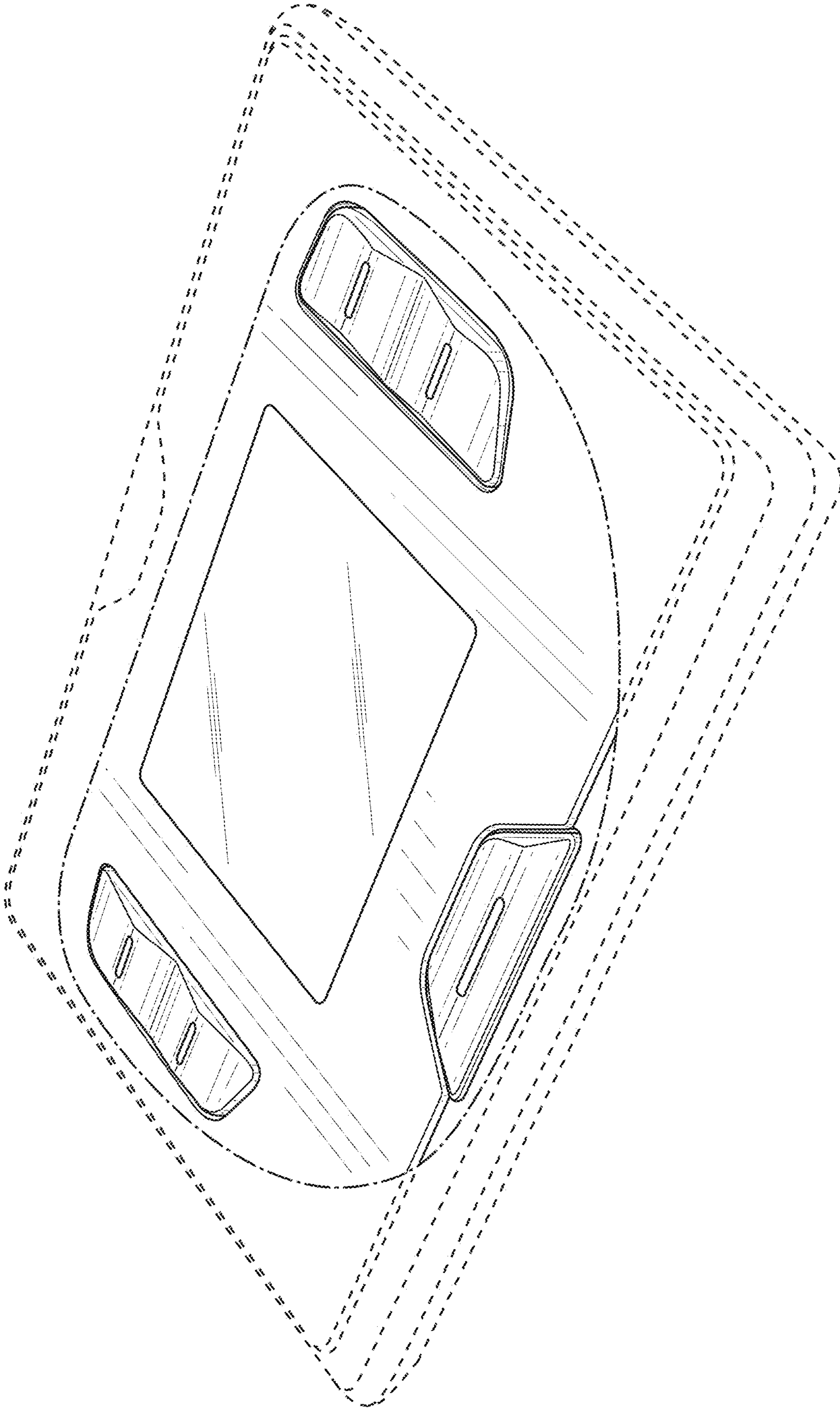
**DESCRIPTION**

FIG. 1 is a front, bottom, right perspective view of an instrument panel showing the new design; FIG. 2 is a front, bottom, left perspective view thereof; FIG. 3 front elevation view thereof; FIG. 4 is left-side elevation view thereof; FIG. 5 is a right-side elevation view thereof; FIG. 6 is bottom plan view thereof; and, FIG. 7 is a top plan view thereof.  
The broken lines of even length shown in the drawings illustrate portions of the instrument panel that form no part of the claimed design. The broken lines of uneven length illustrate the boundary of the claimed design and form no part thereof

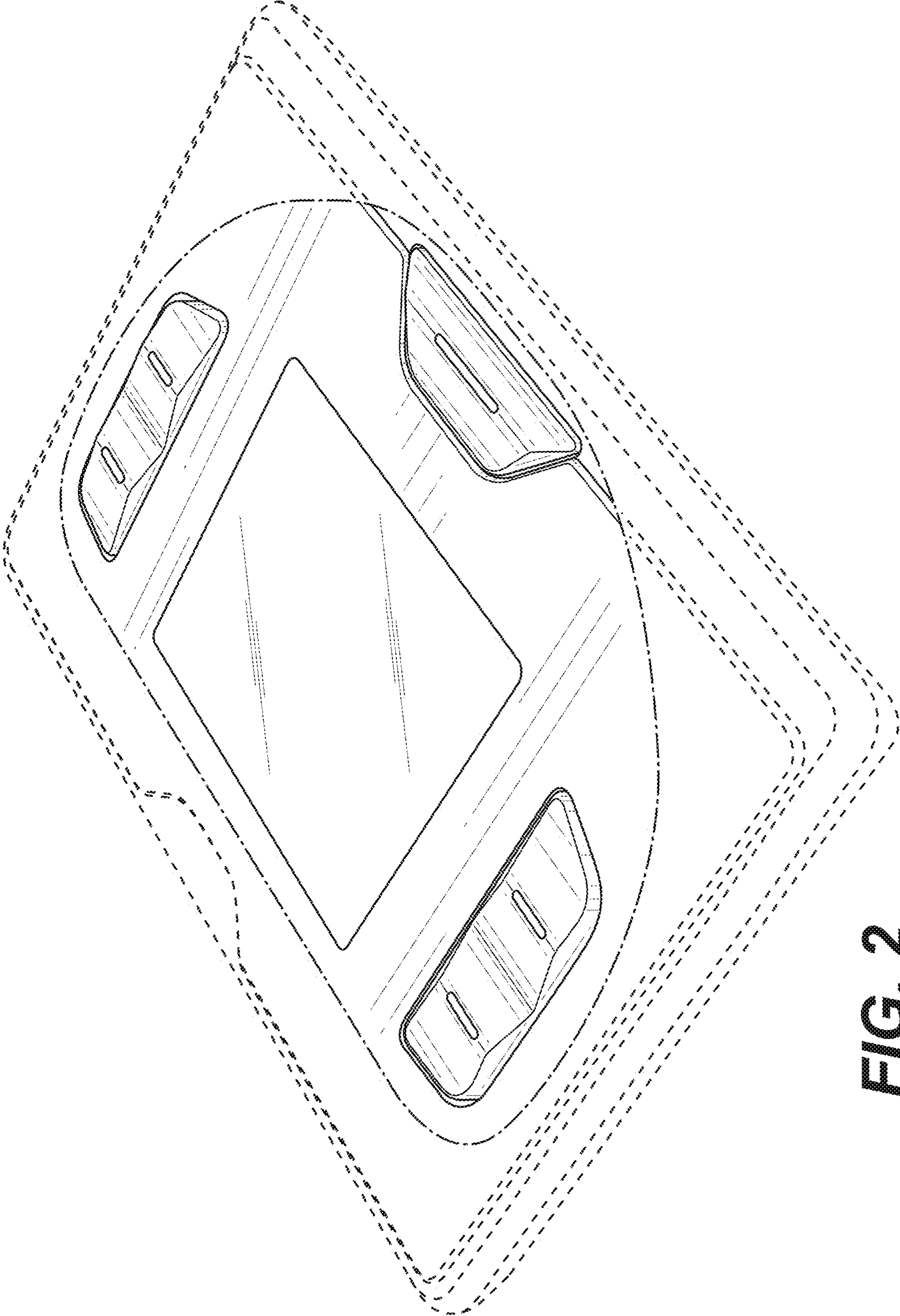
**1 Claim, 7 Drawing Sheets**

(56) **References Cited**  
U.S. PATENT DOCUMENTS  
7,267,068 B2 9/2007 Bradley et al.  
8,060,265 B2 11/2011 Hallenstvedt et al.  
8,234,024 B2 7/2012 Nose et al.  
8,428,801 B1 4/2013 Nose et al.  
9,067,664 B2 6/2015 Yuet et al.  
9,545,987 B1 1/2017 Przybyl et al.  
D815,002 S \* 4/2018 Niemiec ..... D12/192  
D836,049 S \* 12/2018 Ryu ..... D12/192  
D846,464 S \* 4/2019 Zhao ..... D12/192  
D849,618 S \* 5/2019 Chen ..... D12/192





**FIG. 1**



**FIG. 2**



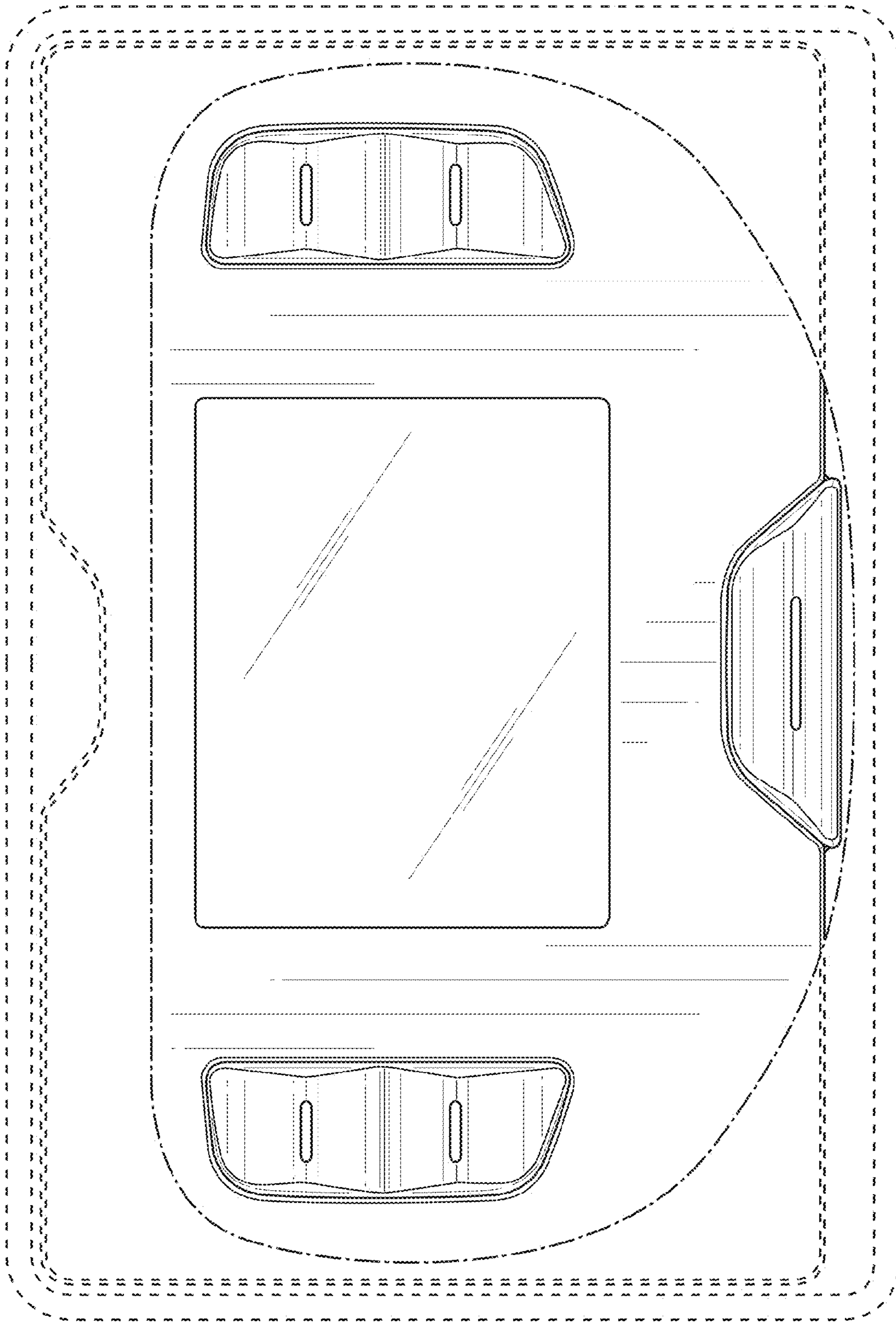
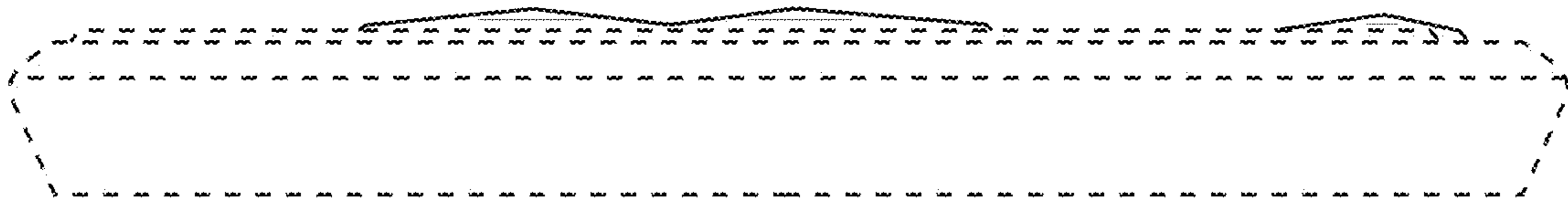
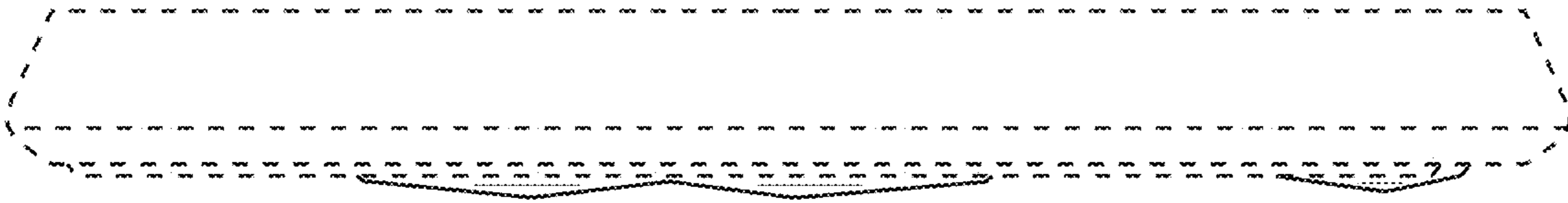


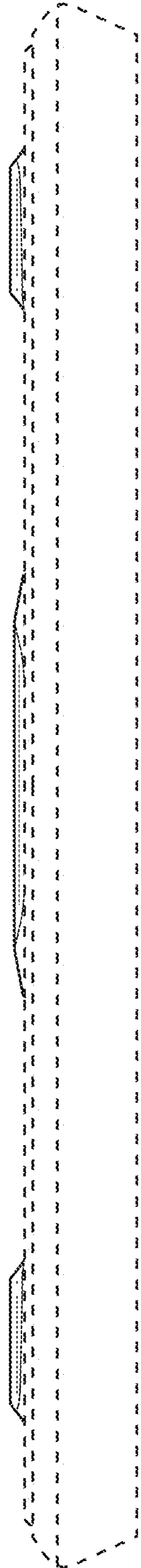
FIG. 3



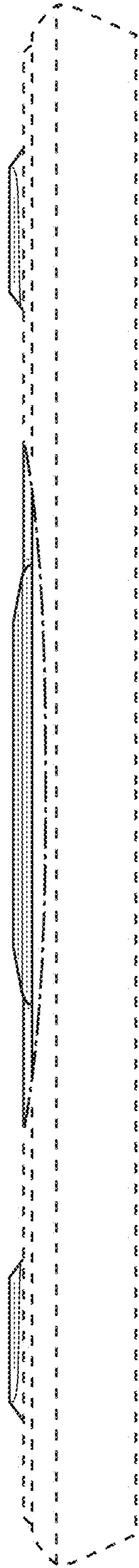
**FIG. 4**



**FIG. 5**



**FIG. 6**



**FIG. 7**