



US00D887331S

(12) **United States Design Patent**  
**Sugimura**

(10) **Patent No.:** **US D887,331 S**

(45) **Date of Patent:** **\*\* \*Jun. 16, 2020**

(54) **MOUNTING BASE FOR ON-VEHICLE EQUIPMENT**

(71) Applicant: **MURAKAMI CORPORATION**,  
Shizuoka (JP)

(72) Inventor: **Naomi Sugimura**, Shimada (JP)

(73) Assignee: **MURAKAMI CORPORATION**,  
Shizuoka (JP)

(\*) Notice: This patent is subject to a terminal disclaimer.

(\*\*) Term: **15 Years**

(21) Appl. No.: **29/657,901**

(22) Filed: **Jul. 26, 2018**

(30) **Foreign Application Priority Data**

Jan. 31, 2018 (JP) ..... 2018-001867

(51) **LOC (12) Cl.** ..... **12-16**

(52) **U.S. Cl.**  
USPC ..... **D12/187**

(58) **Field of Classification Search**  
USPC ..... D12/187-189, 223, 400, 404; D8/354;  
248/475.1, 300, 200, 479-483, 549, 476;  
(Continued)

(56) **References Cited**

**U.S. PATENT DOCUMENTS**

6,299,319 B1 10/2001 Mertens et al.  
6,326,613 B1 12/2001 Heslin et al.

(Continued)

**FOREIGN PATENT DOCUMENTS**

EP 1040962 A2 10/2000

**OTHER PUBLICATIONS**

U.S. Appl. No. 29/657,909 to Naomi Sugimura, which was filed Jul. 26, 2018.

*Primary Examiner* — Abraham Bahta

(74) *Attorney, Agent, or Firm* — Greenblum & Bernstein, P.L.C.

(57) **CLAIM**

The ornamental design for a mounting base for on-vehicle equipment, as shown and described.

**DESCRIPTION**

FIG. 1 is a front elevational view of an embodiment of the mounting base for on-vehicle equipment, showing my new design;

FIG. 2 is a rear view thereof;

FIG. 3 is a top plan view thereof;

FIG. 4 is a bottom view thereof;

FIG. 5 is a right side elevational view thereof;

FIG. 6 is a left side elevational view thereof;

FIG. 7 is a sectional view taken along line 7-7 of FIG. 1;

FIG. 8 is a sectional view taken along line 8-8 of FIG. 1;

FIG. 9 is a sectional view taken along line 9-9 of FIG. 1;

FIG. 10 is a sectional view taken along line 10-10 of FIG. 1;

FIG. 11 is a front-upper right side perspective view thereof;

FIG. 12 is a front-lower right side perspective view thereof;

FIG. 13 is a front-upper left side perspective view thereof;

FIG. 14 is a front-lower left side perspective view thereof;

FIG. 15 is a rear-upper left side perspective view thereof;

FIG. 16 is a rear-lower left side perspective view thereof;

FIG. 17 is a rear-upper right side perspective view thereof;

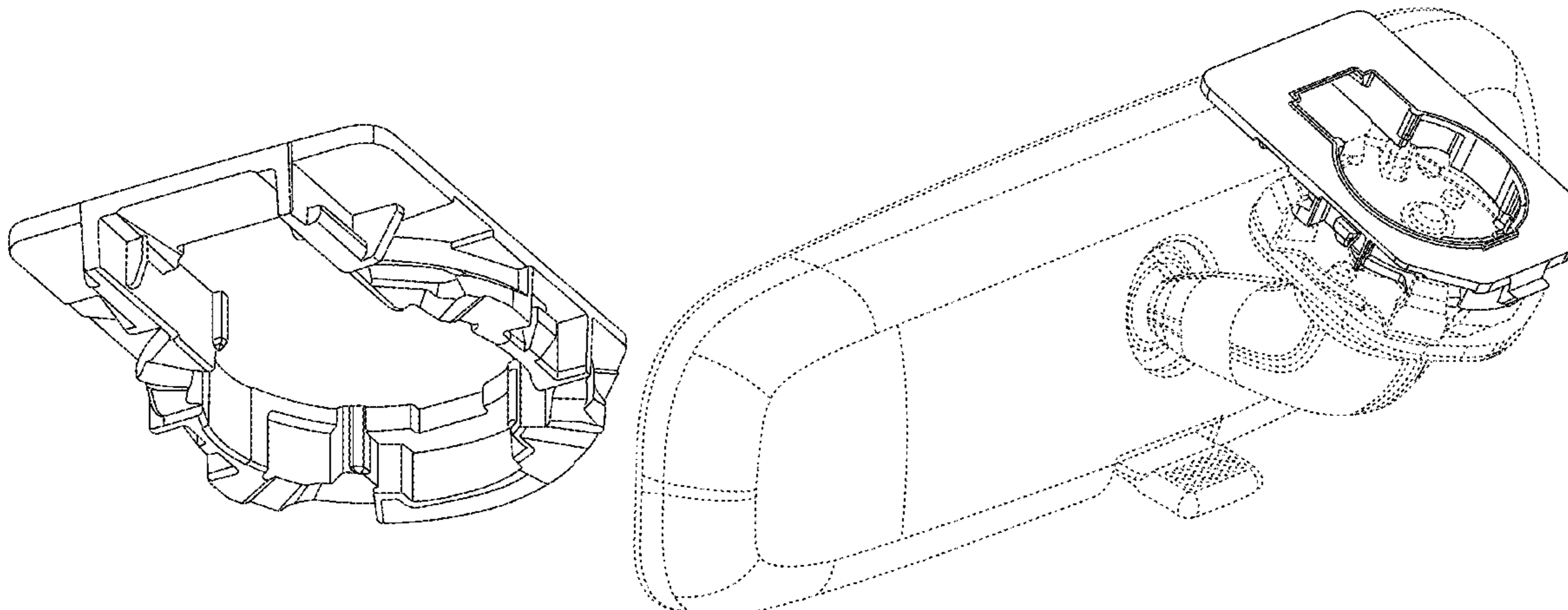
FIG. 18 is a rear-lower right side perspective view thereof;

and,

FIG. 19 is a perspective view thereof showing the mounting base for on-vehicle equipment with environmental structure shown in broken lines that forms no part of the claimed design.

Any surfaces of the design not shown, including interior surfaces and any surfaces shown in broken lines, form no part of the claimed design.

**1 Claim, 19 Drawing Sheets**



(58) **Field of Classification Search**

USPC ..... 359/841, 838, 868, 871, 872, 842, 843,  
359/881, 877, 604, 514; 348/148;  
250/208.1, 227.25, 341.7

CPC .. B60R 1/04; B60R 1/12; B60R 1/076; B60R  
1/074; B60R 1/078; B60R 1/08; B60R  
1/081; B60R 1/082; B60R 1/025; F16F  
1/26; F16F 1/32; F16F 13/00; A47G 1/16

See application file for complete search history.

(56) **References Cited**

U.S. PATENT DOCUMENTS

7,726,623	B2 *	6/2010	Muller	.....	B60R 1/04 248/475.1
8,925,891	B2 *	1/2015	Van Huis	.....	B60R 11/04 248/475.1
9,174,577	B2 *	11/2015	Busscher	.....	B60R 1/04
9,244,249	B2	1/2016	Kim et al.		
10,190,610	B1 *	1/2019	Busscher	.....	F16B 2/22
2012/0105990	A1	5/2012	Quinn et al.		
2014/0055617	A1	2/2014	Minikey, Jr. et al.		

\* cited by examiner

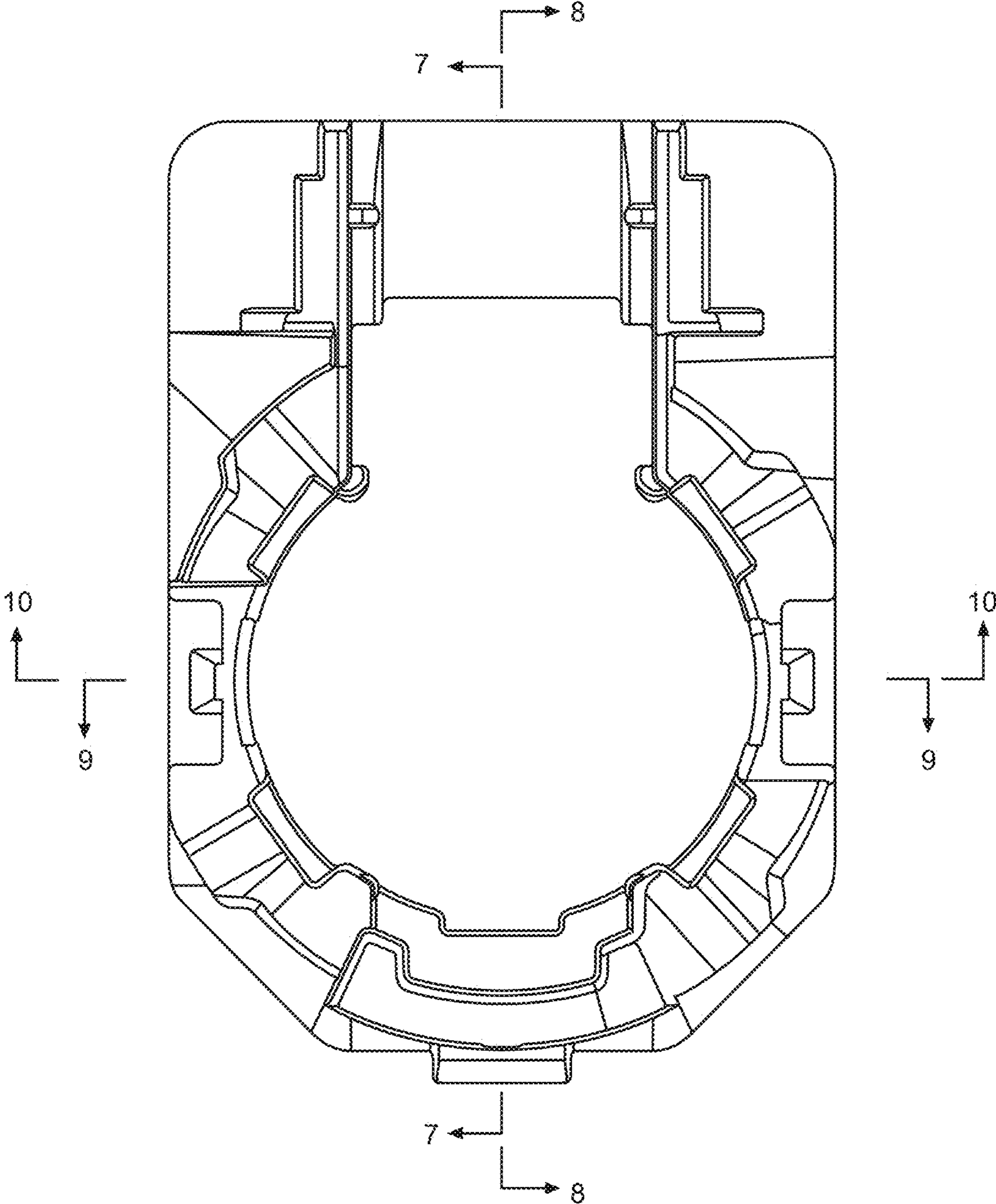


FIG. 1

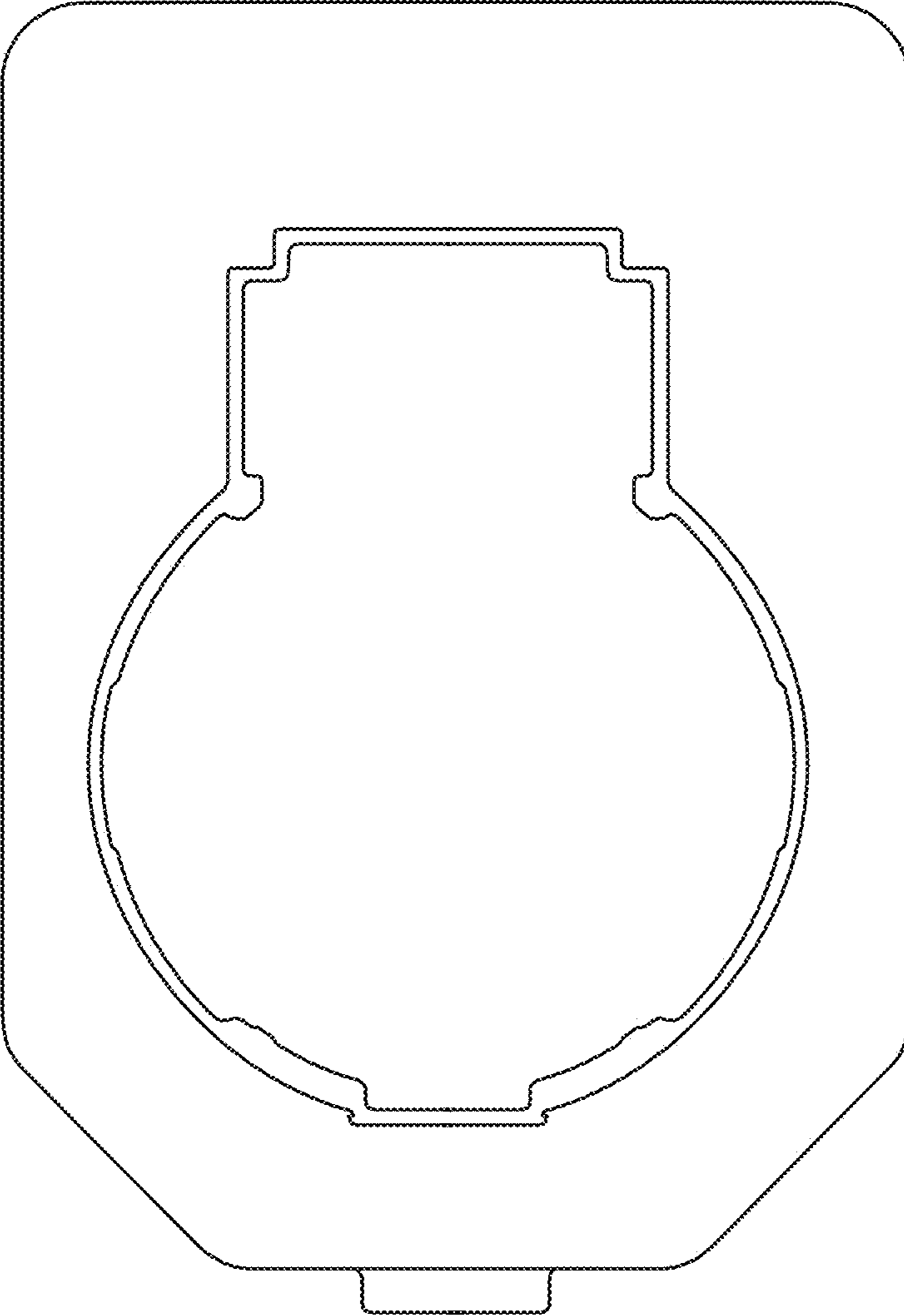
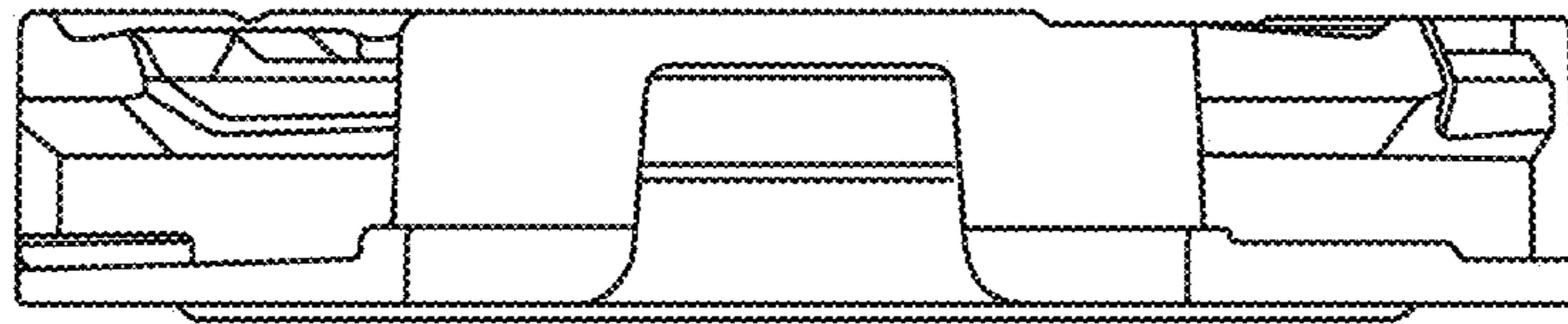


FIG. 2



**FIG. 3**



**FIG. 4**

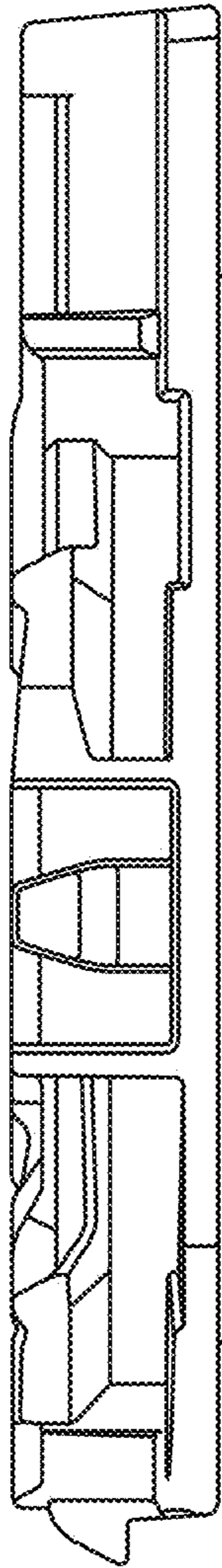


FIG. 5

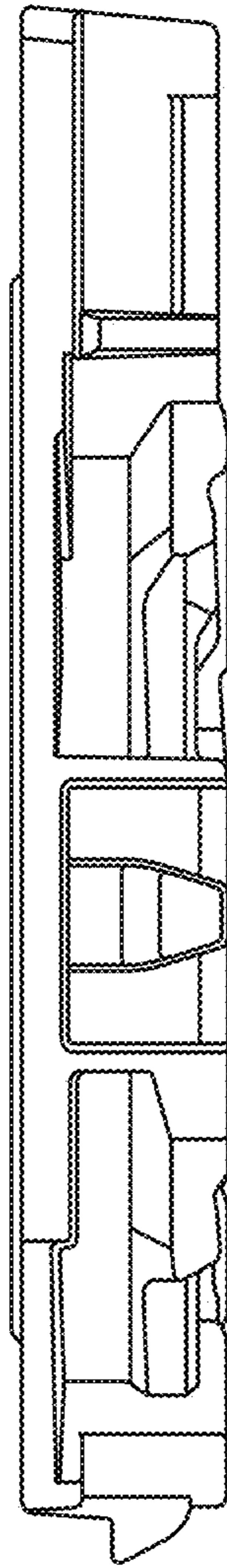


FIG. 6



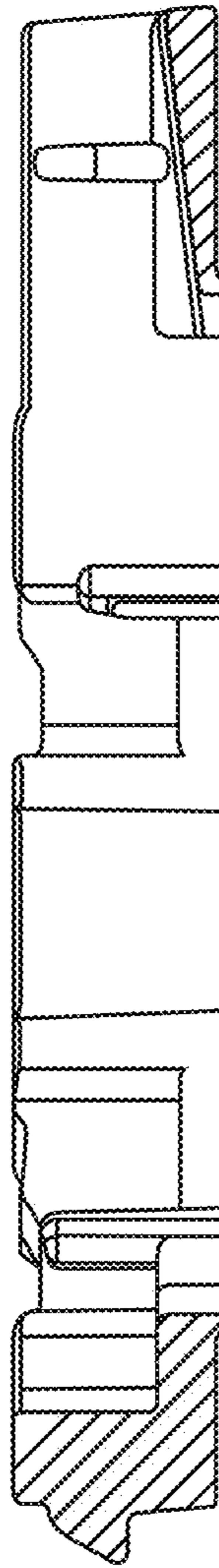


FIG. 7

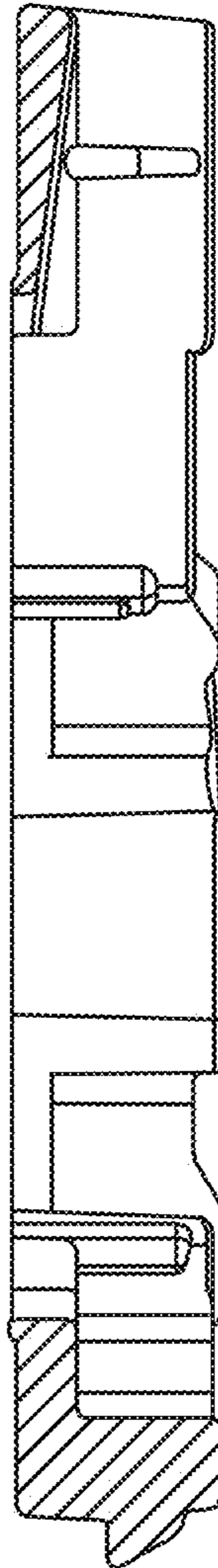


FIG. 8

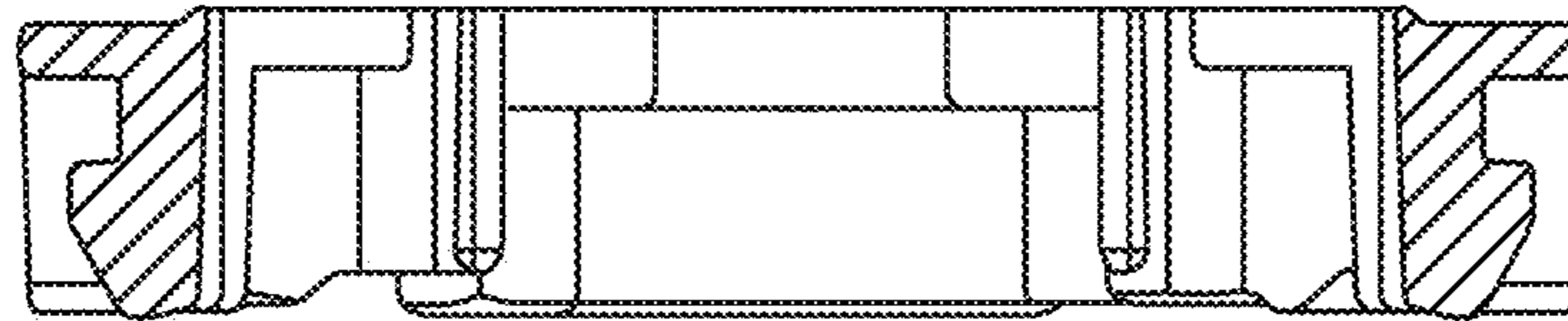


FIG. 9

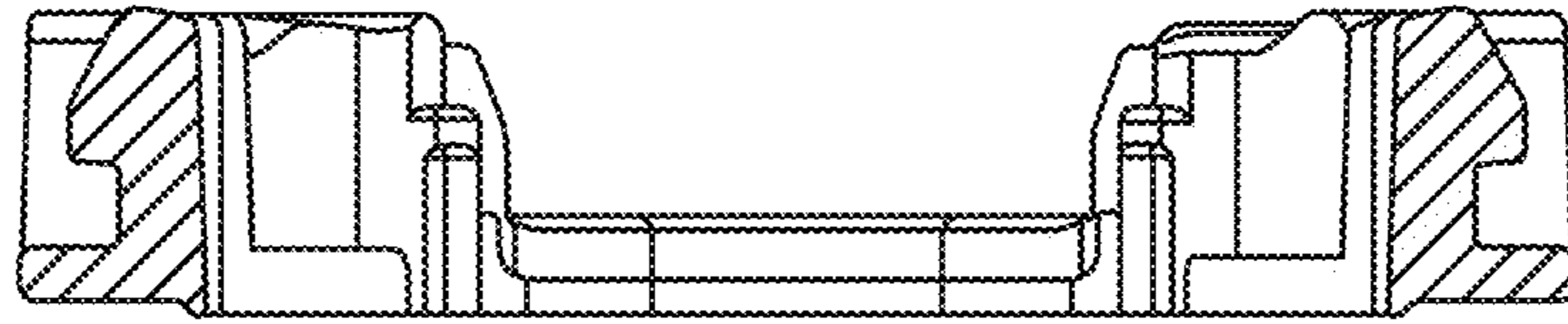


FIG. 10

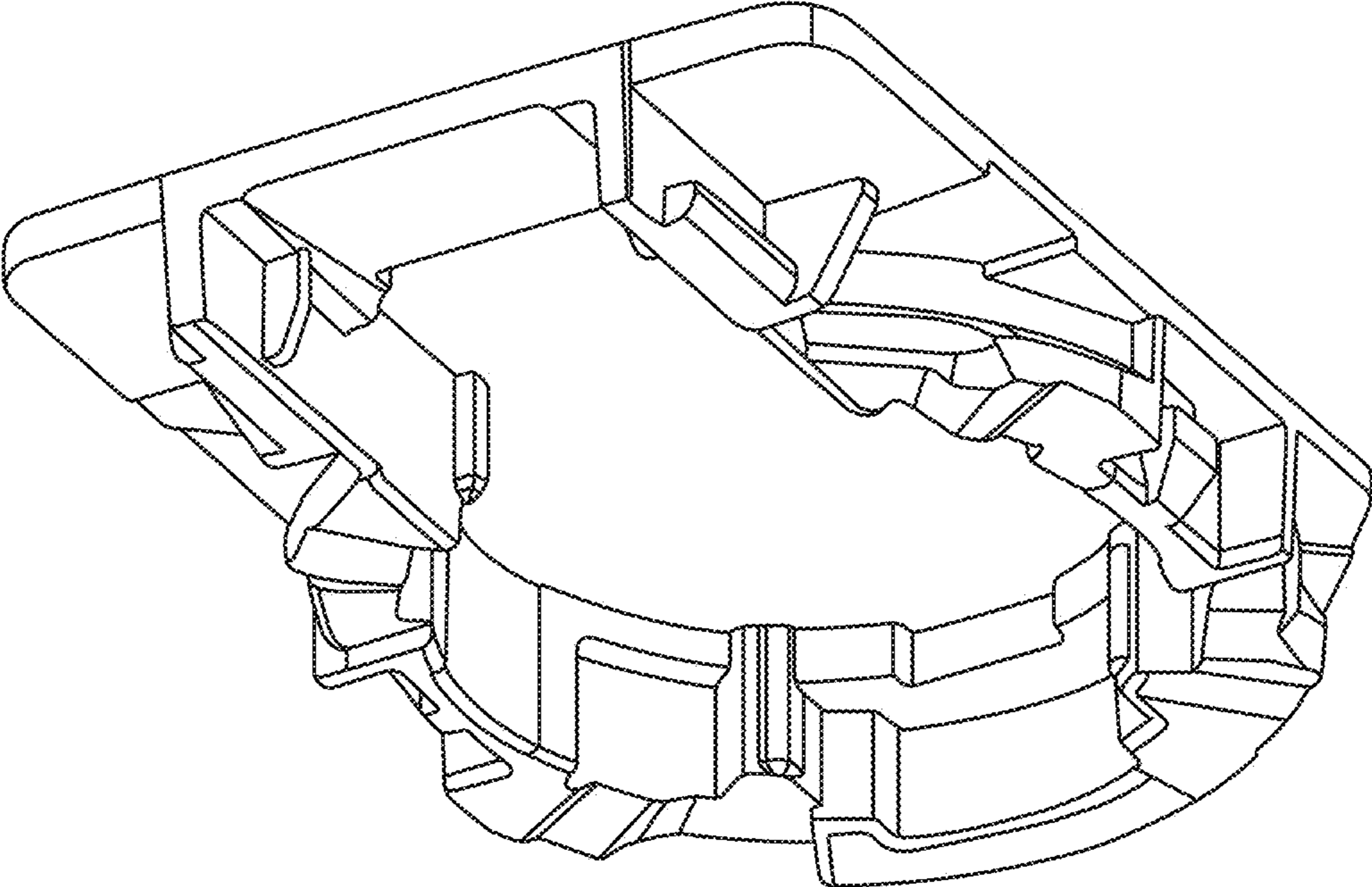


FIG. 11

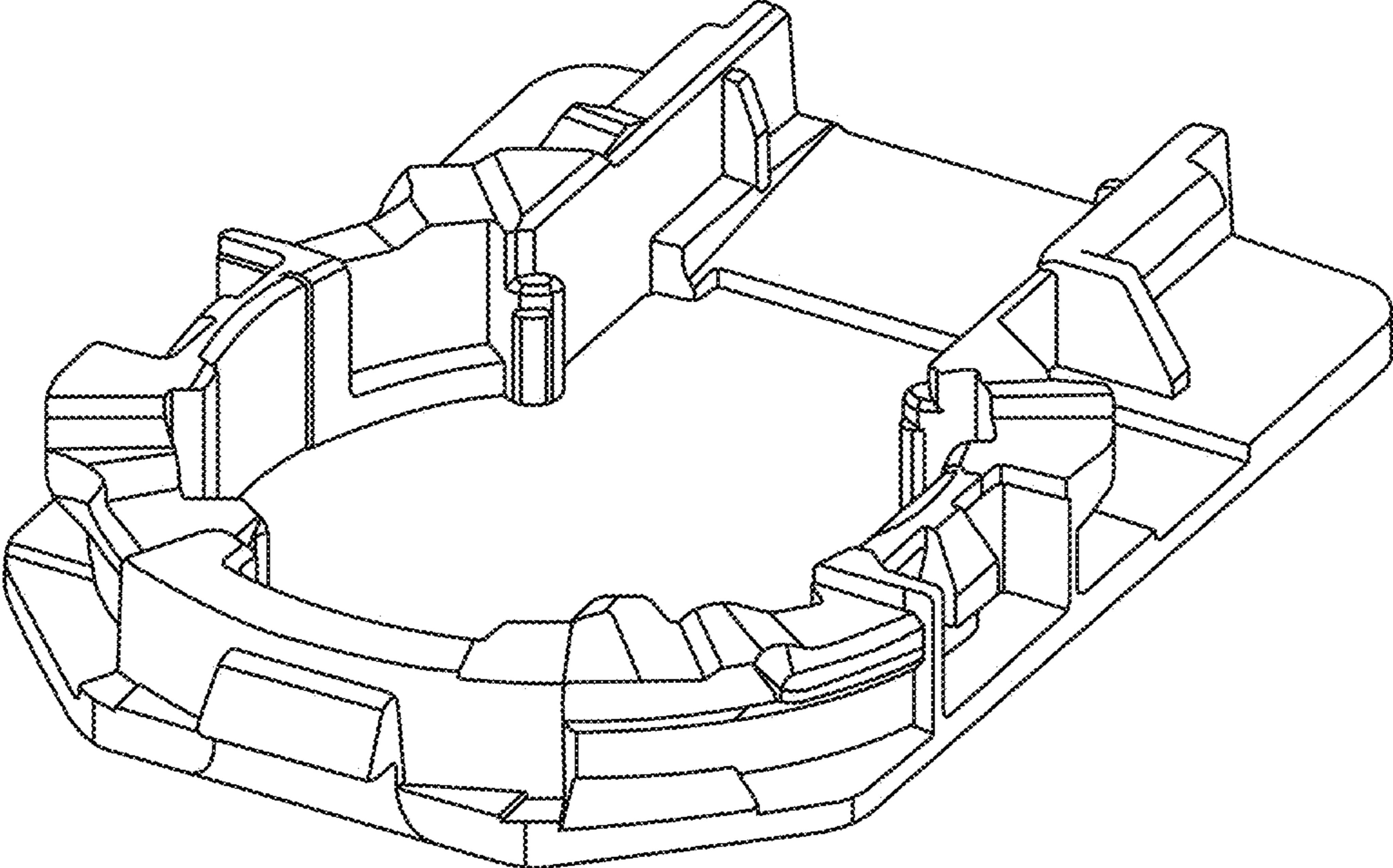


FIG. 12

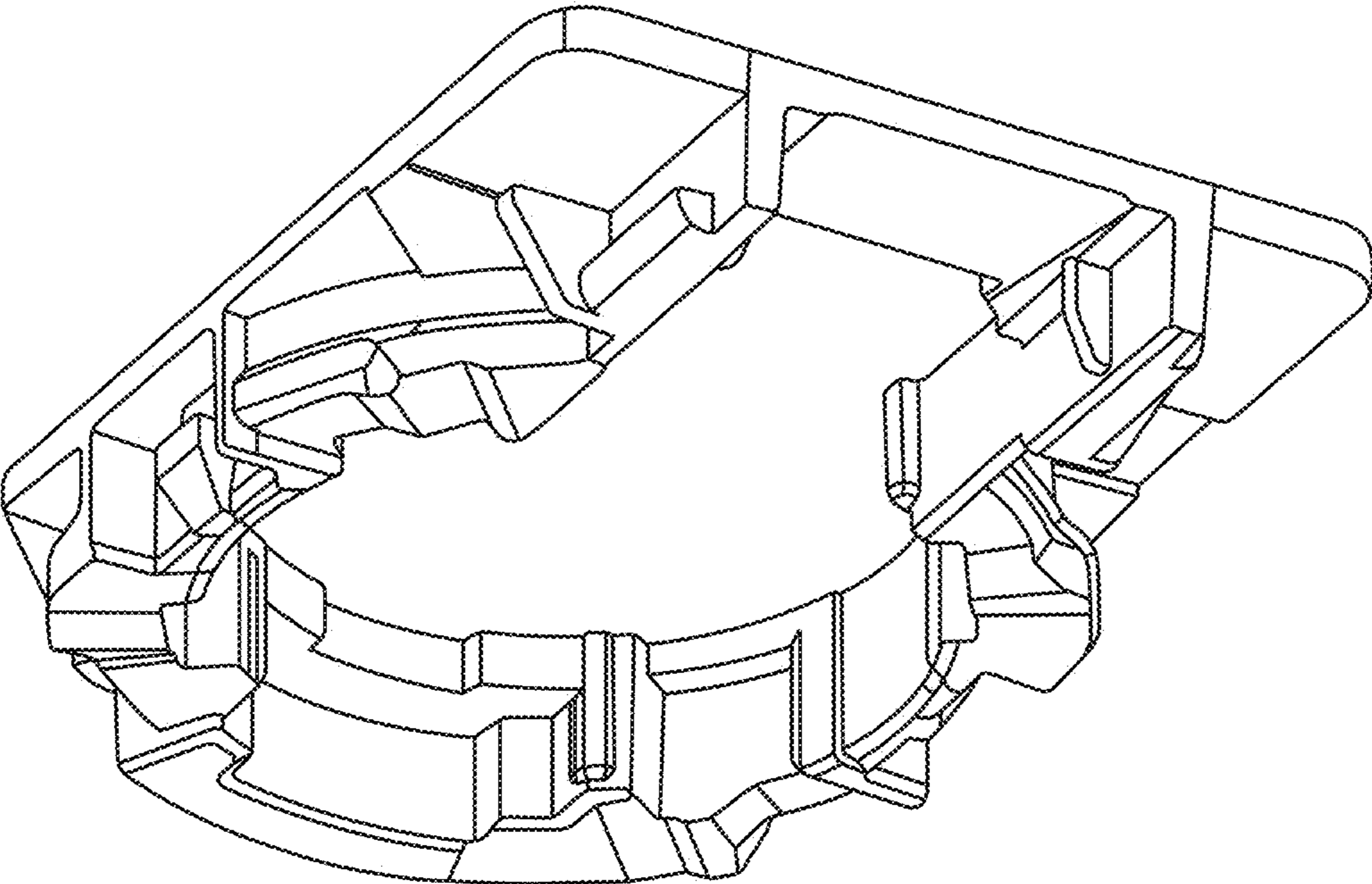


FIG. 13

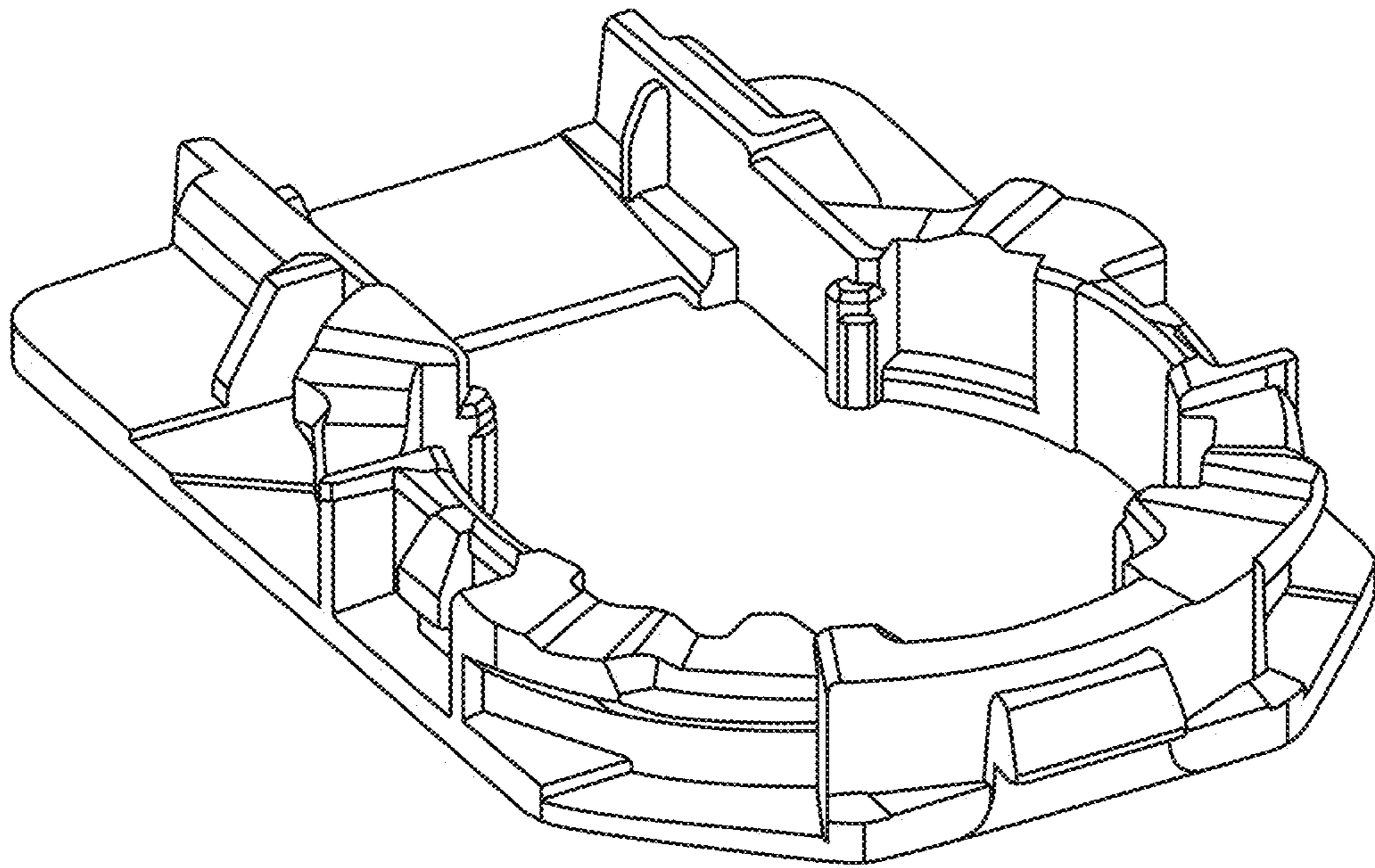


FIG. 14



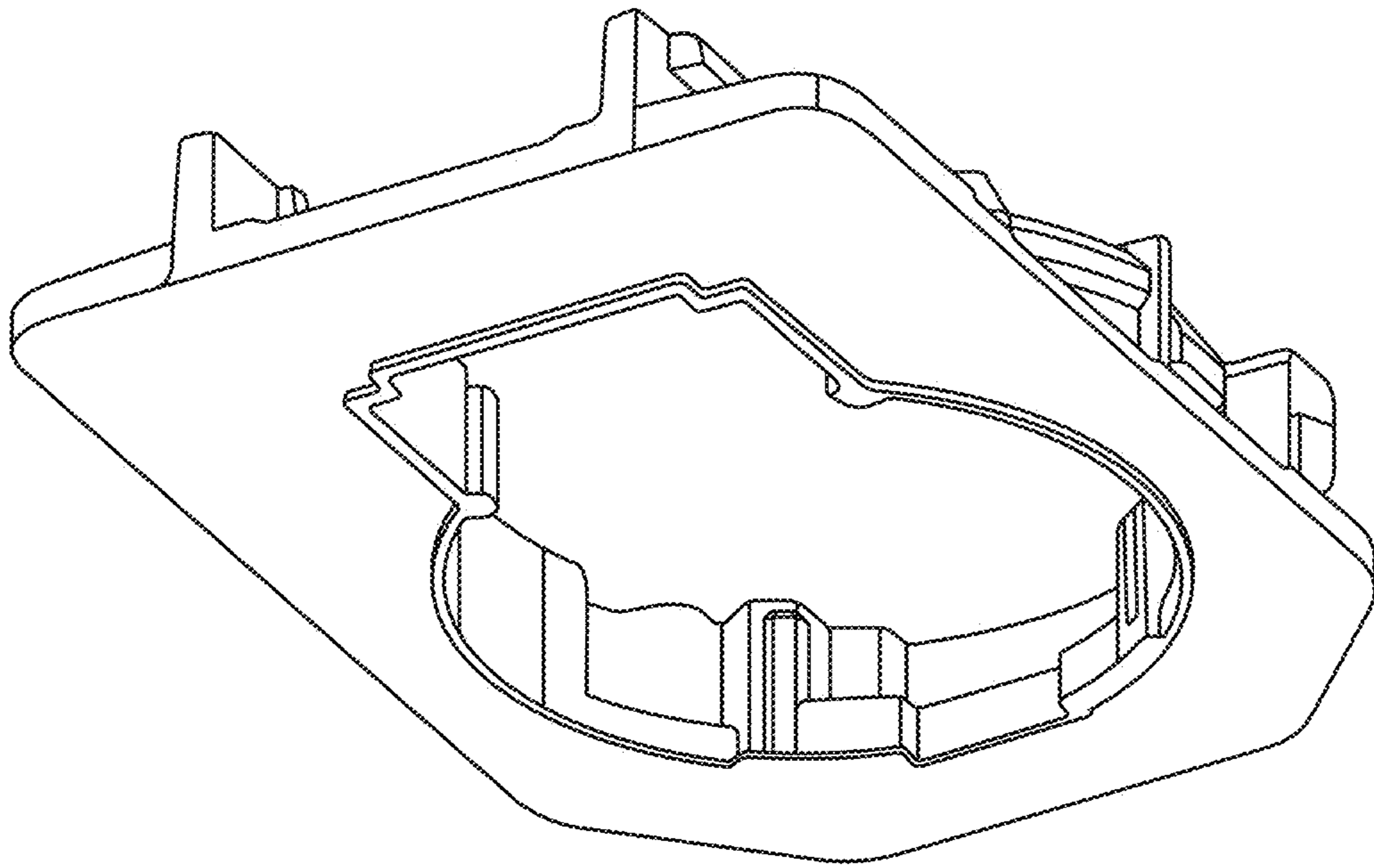


FIG. 15

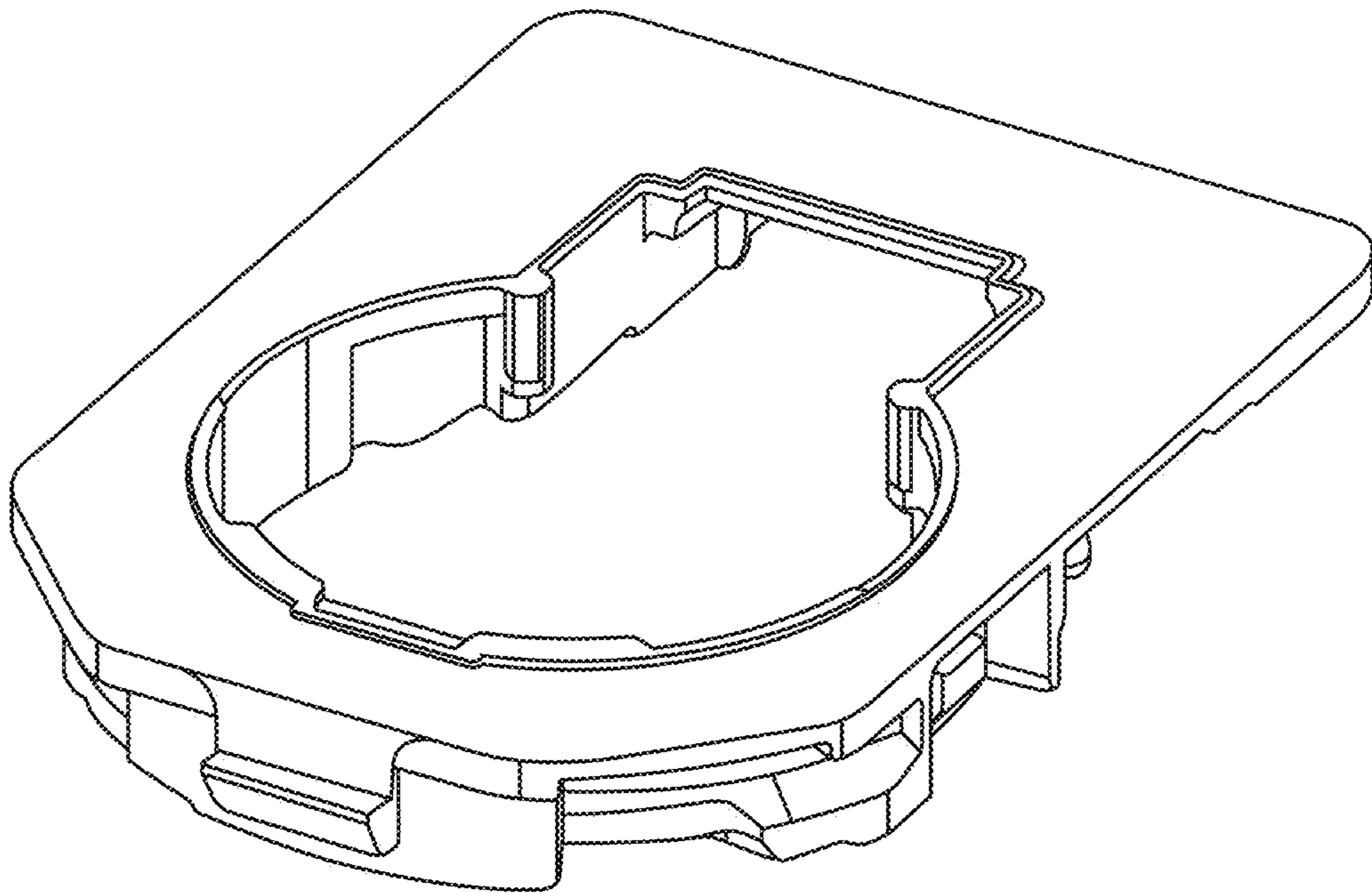


FIG. 16

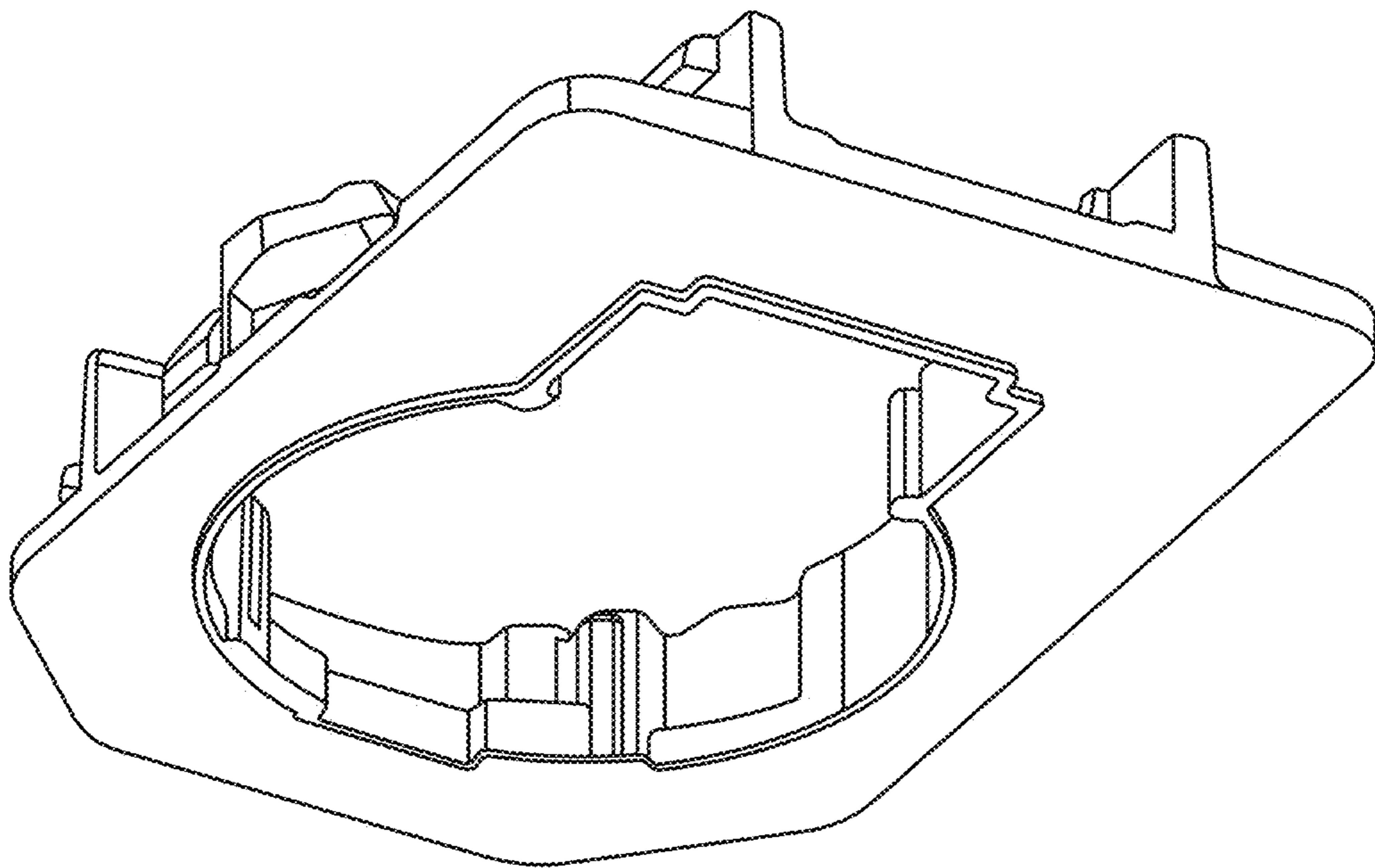


FIG. 17

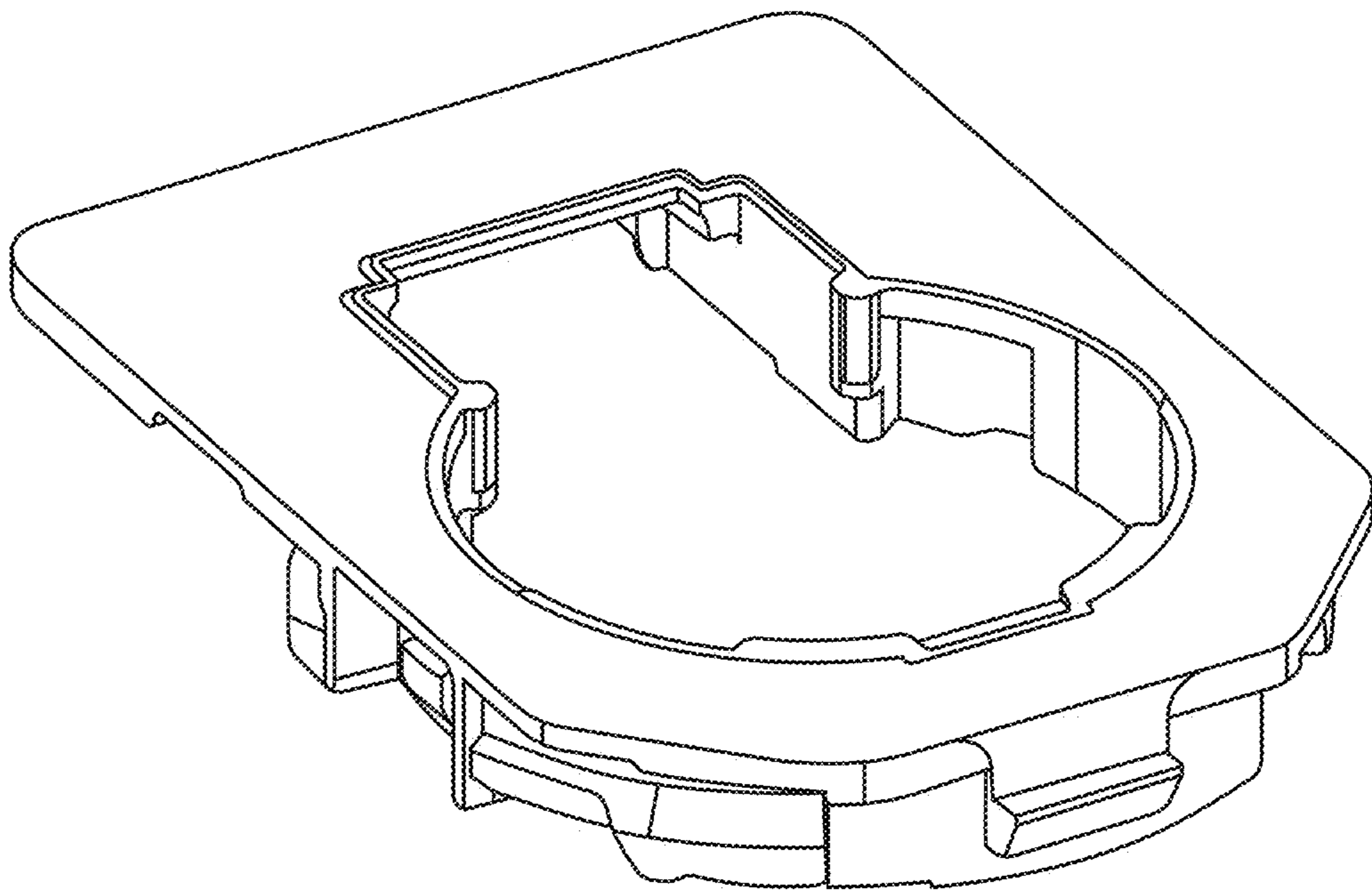


FIG. 18

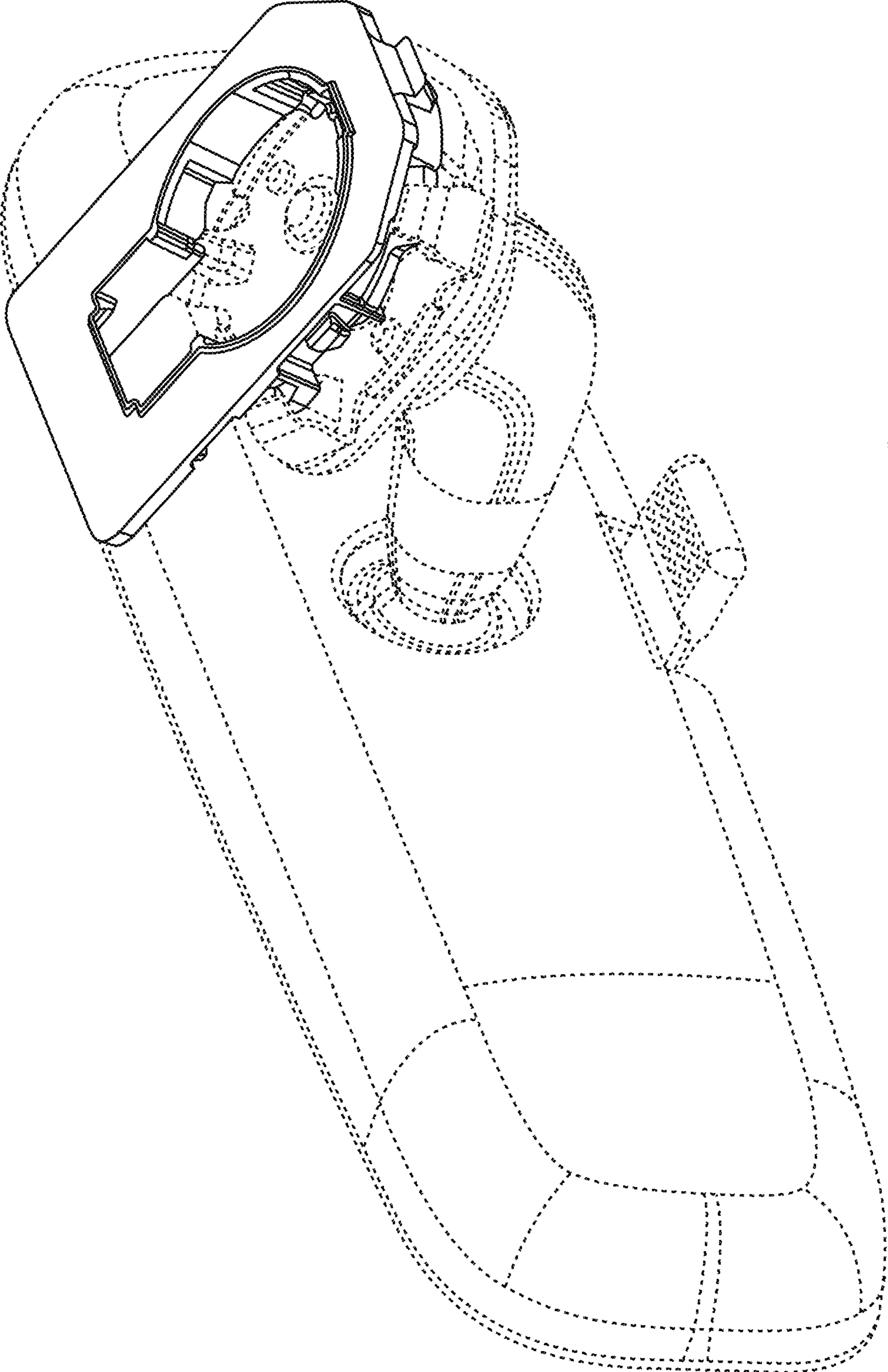


FIG. 19