



US00D887328S

(12) **United States Design Patent** (10) **Patent No.:** **US D887,328 S**
Lee (45) **Date of Patent:** **** Jun. 16, 2020**

(54) **MODULAR VEHICLE BUMPER**
(71) Applicant: **Dillon Glenn Lee**, La Habra Heights, CA (US)
(72) Inventor: **Dillon Glenn Lee**, La Habra Heights, CA (US)
(**) Term: **15 Years**
(21) Appl. No.: **29/674,645**
(22) Filed: **Dec. 21, 2018**
(51) **LOC (12) Cl.** **12-16**
(52) **U.S. Cl.**
USPC **D12/171; D12/169**
(58) **Field of Classification Search**
USPC D12/86, 90, 91, 92, 163, 164, 169, 171, D12/196, 216
CPC B60R 19/02; B60R 19/18; B60R 19/24; B60R 19/56; B60R 2019/007; B62D 25/0845
See application file for complete search history.

(56) **References Cited**
U.S. PATENT DOCUMENTS
D300,128 S * 3/1989 Brennan D12/169
D375,067 S * 10/1996 Bronstein D12/169
D432,469 S * 10/2000 Nelson D12/169
D502,433 S * 3/2005 McClanahan D12/169
7,703,834 B1 * 4/2010 Hardy B60R 9/06 296/102
D744,384 S * 12/2015 Harriton D12/169
D744,387 S * 12/2015 Harriton D12/169
D751,012 S * 3/2016 Hare D12/169
D760,133 S * 6/2016 Bennett D12/171
D771,537 S * 11/2016 Hare D12/169

D775,013 S * 12/2016 Bennett D12/169
D775,016 S * 12/2016 Reynolds D12/171
D776,582 S * 1/2017 Bennett D12/169
D777,619 S * 1/2017 Barajas D12/167
D792,818 S * 7/2017 McMath D12/169
D793,304 S * 8/2017 McMath D12/169
D800,036 S * 10/2017 Bennett D12/169
D826,115 S * 8/2018 Chi D12/172
D833,922 S * 11/2018 DiCanzio D12/163
D847,051 S * 4/2019 DiCanzio D12/171
2017/0088076 A1 * 3/2017 Fujimoto B60R 19/04

* cited by examiner

Primary Examiner — Darlington Ly
(74) *Attorney, Agent, or Firm* — Anooj Patel; Kevin Schraven; Hankin Patent Law, APC

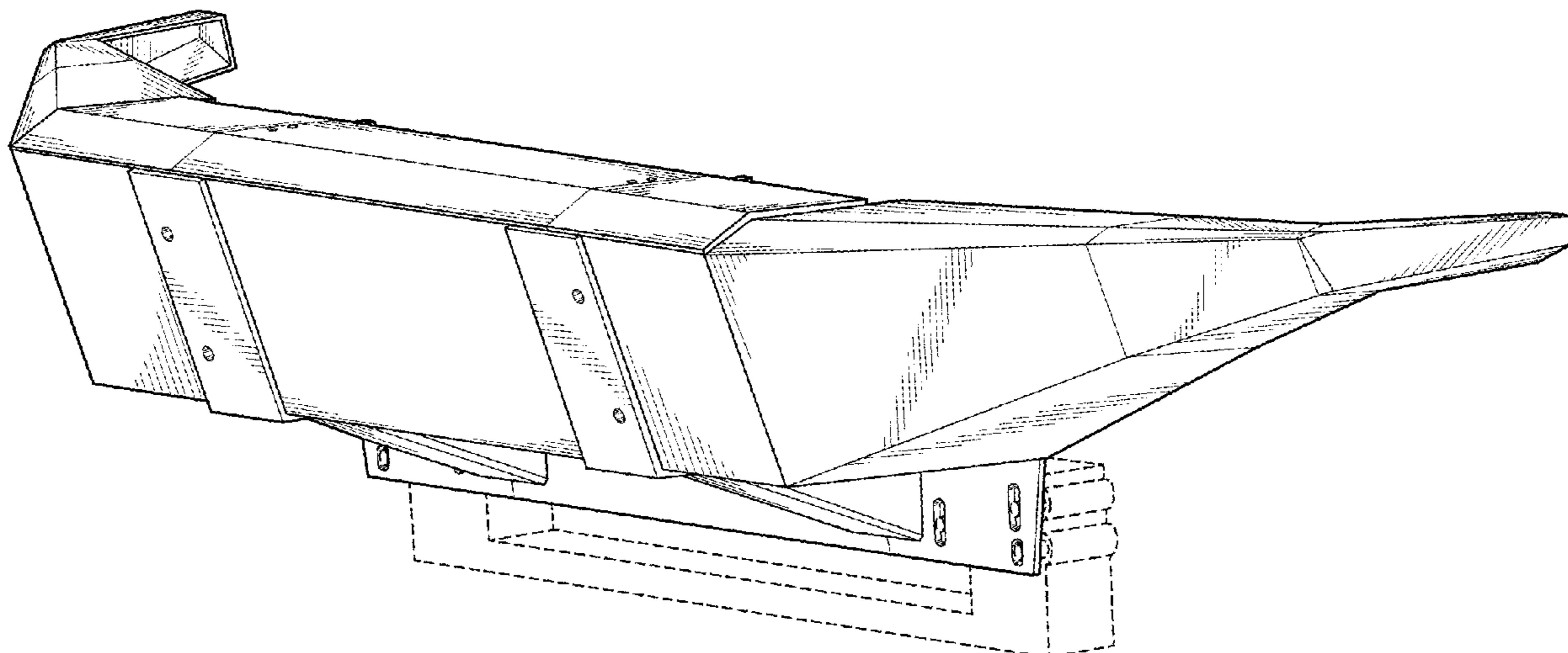
(57) **CLAIM**

The ornamental design for a modular vehicle bumper, as shown and described.

DESCRIPTION

FIG. 1 is a front perspective view of a modular vehicle bumper showing my new design;
FIG. 2 is a rear perspective view thereof;
FIG. 3 is a front elevation view thereof;
FIG. 4 is a rear elevation view thereof;
FIG. 5 is a left side elevation view thereof;
FIG. 6 is a right side elevation view thereof;
FIG. 7 is a top plan view thereof;
FIG. 8 is a bottom plan view thereof; and,
FIG. 9 is an exploded front perspective view thereof.
The broken line showing of the mounting structure is provided for the purpose of illustrating environmental structure and forms no part of the claimed design.

1 Claim, 9 Drawing Sheets



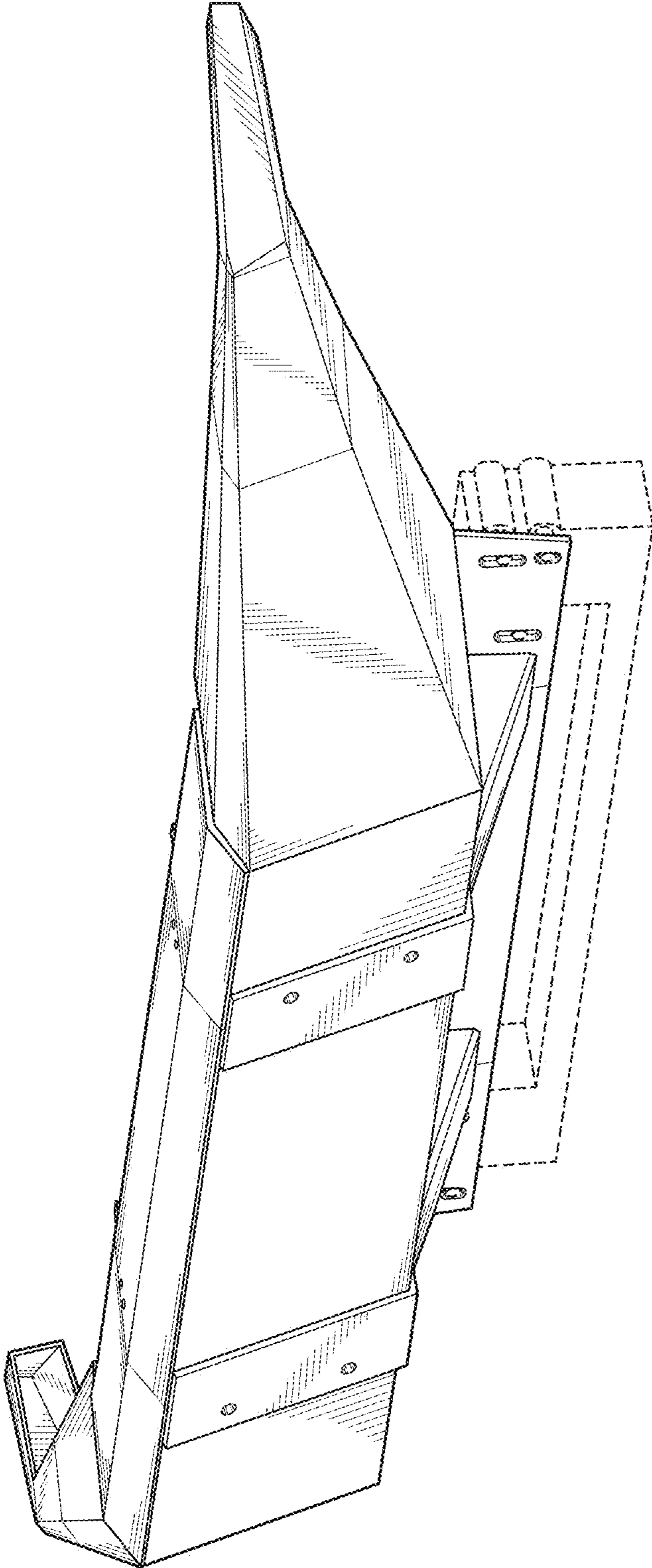


Fig. 1

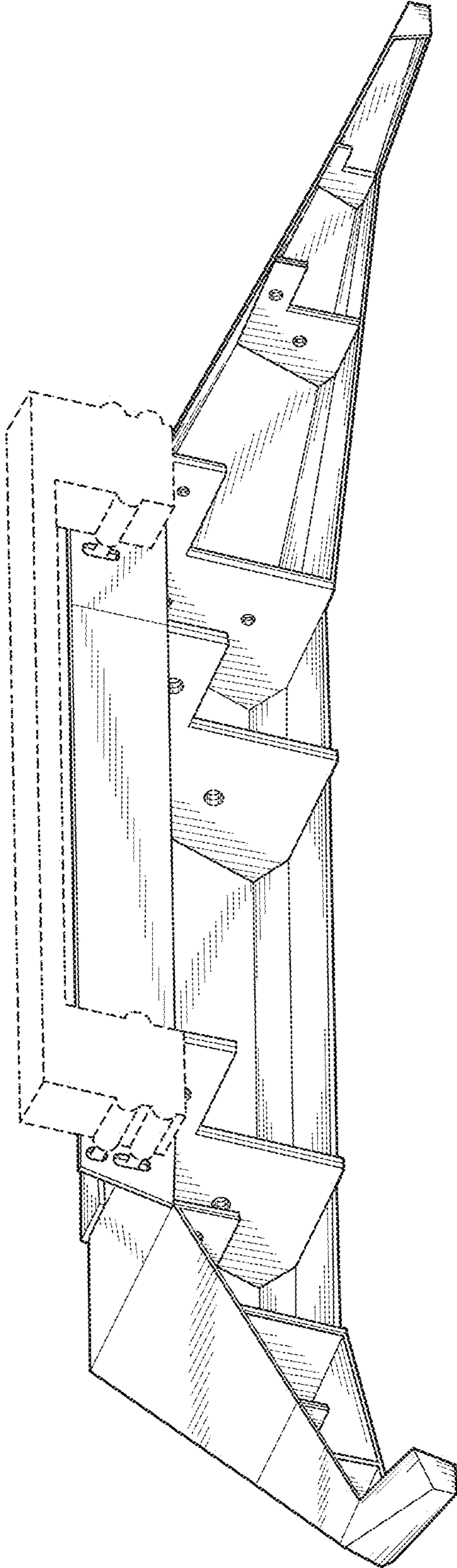


Fig. 2

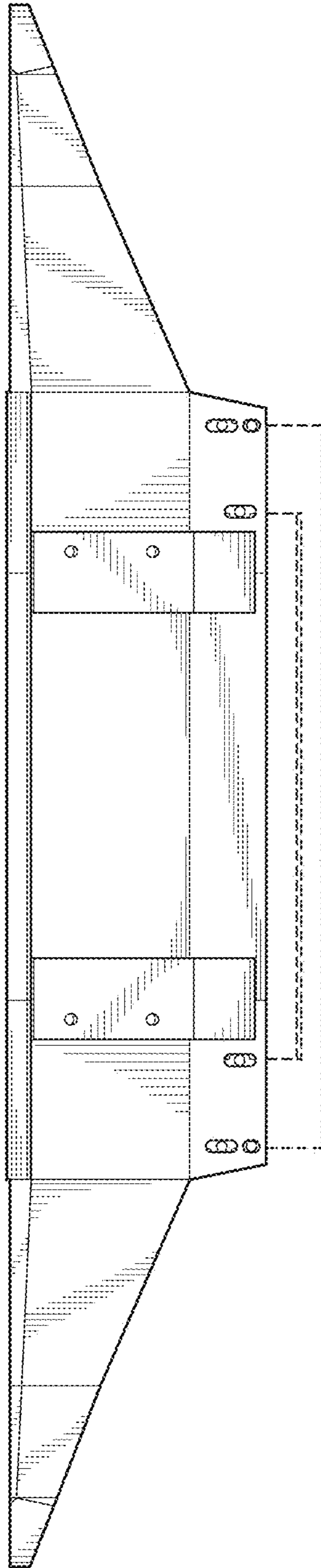


Fig.3

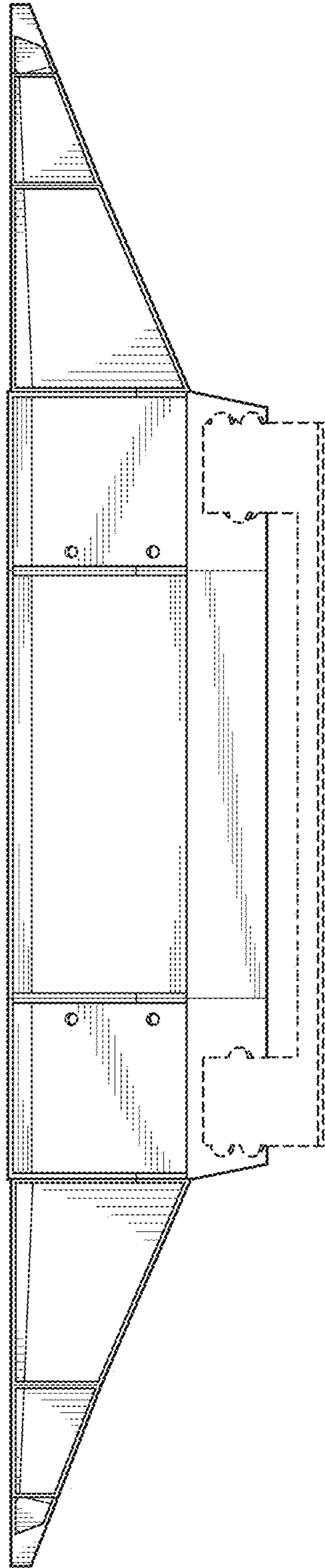


Fig.4

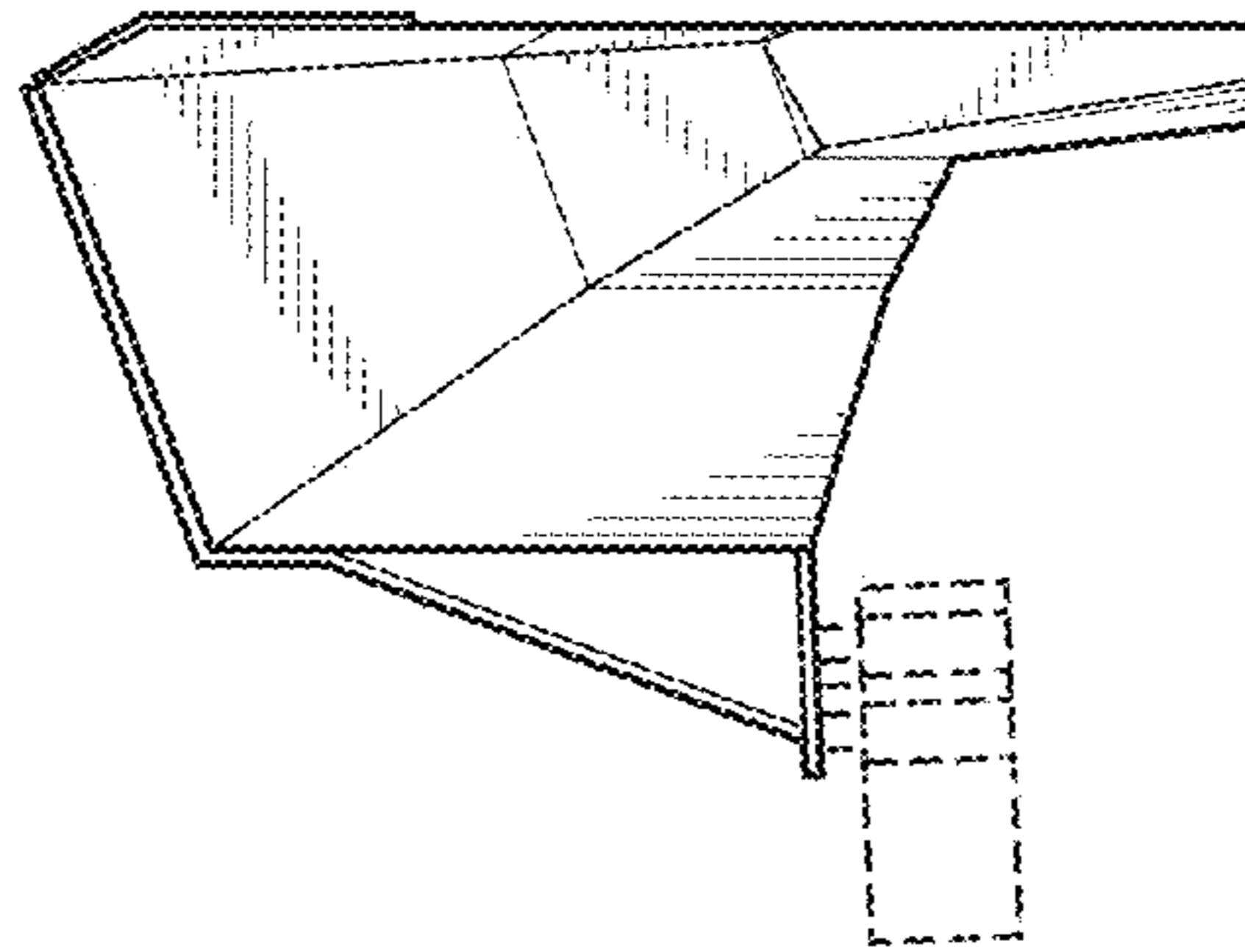


Fig.5

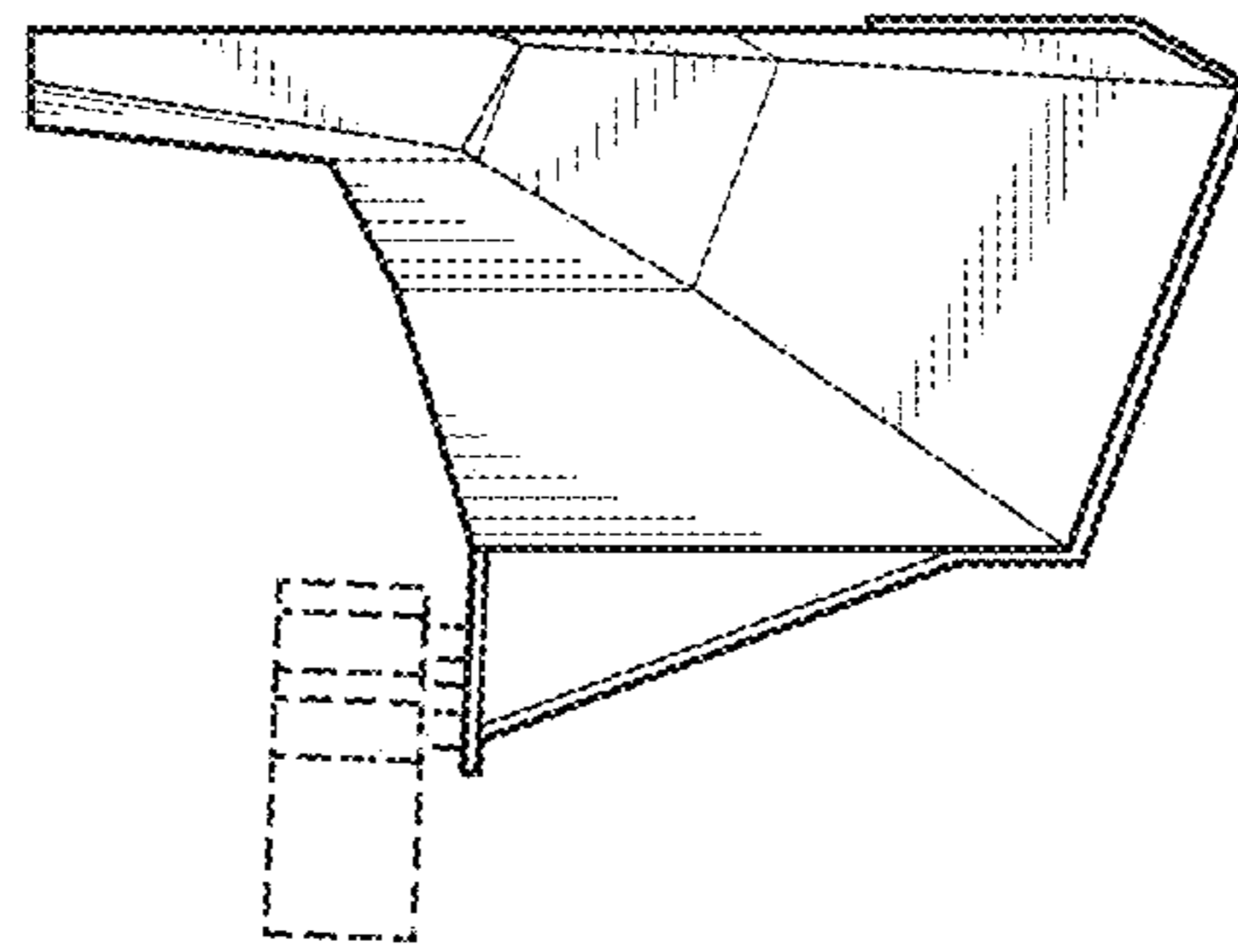


Fig.6

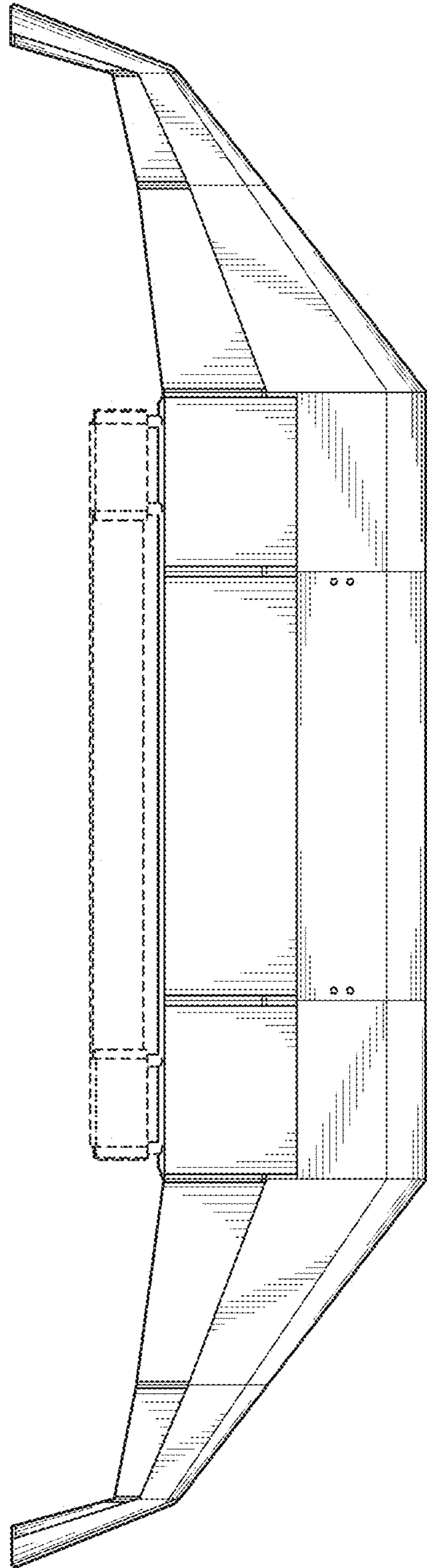


Fig. 7

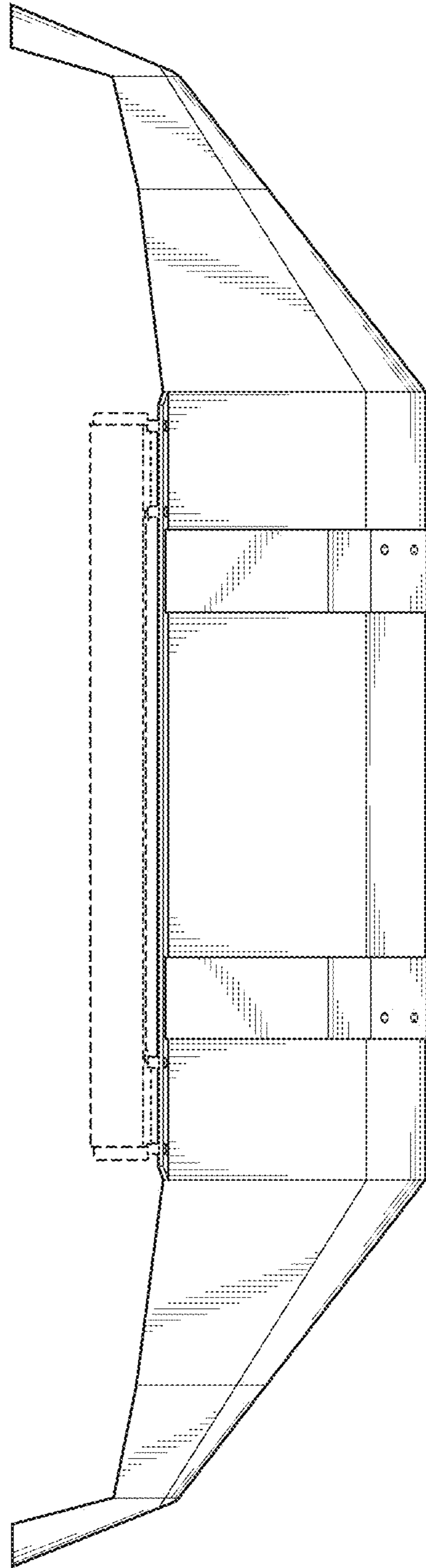


Fig. 8

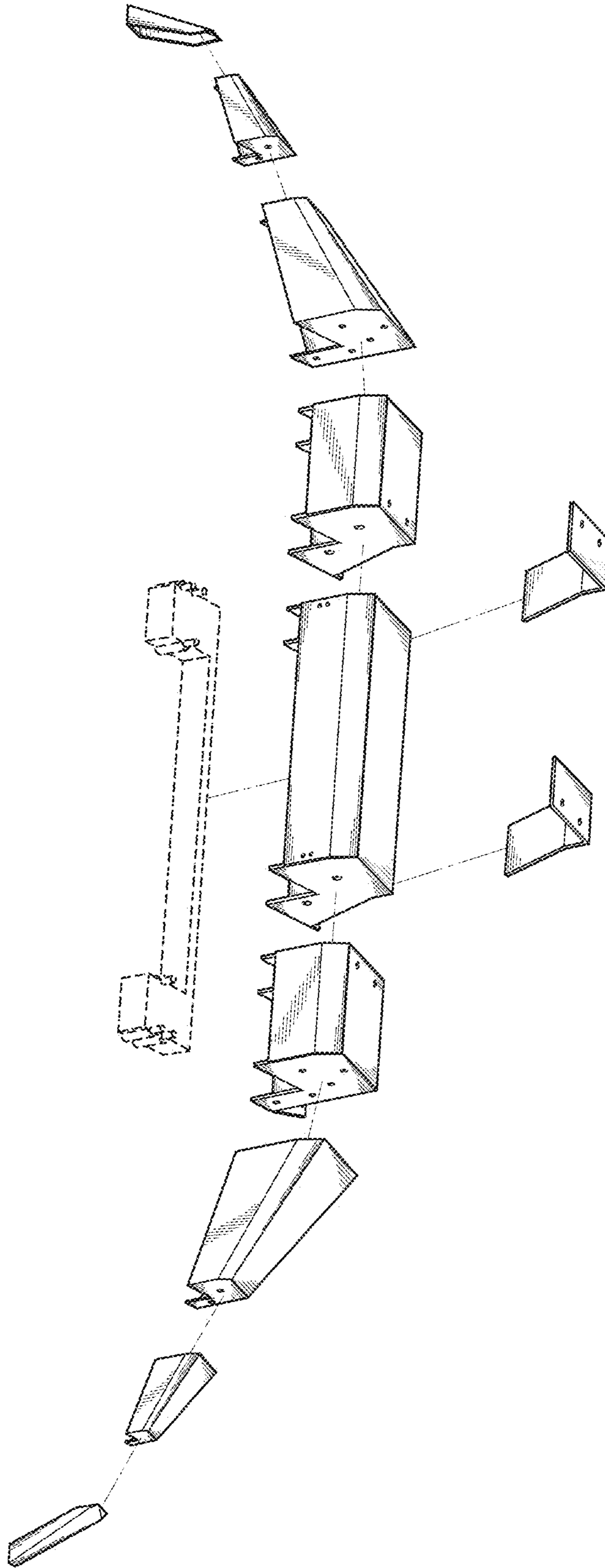


Fig. 9