



US00D887327S

(12) **United States Design Patent** (10) **Patent No.:** **US D887,327 S**  
**Zurian** (45) **Date of Patent:** **\*\* Jun. 16, 2020**

(54) **REAR BUMPER FOR A VEHICLE**  
(71) Applicant: **Bayerische Motoren Werke Aktiengesellschaft, Munich (DE)**  
(72) Inventor: **Khrystyne Zurian, Munich (DE)**  
(73) Assignee: **Bayerische Motoren Werke Aktiengesellschaft, Munich (DE)**  
(\*\*) Term: **15 Years**  
(21) Appl. No.: **29/683,542**  
(22) Filed: **Mar. 14, 2019**

D740,728 S \* 10/2015 Gunnarson ..... D12/169  
D744,913 S \* 12/2015 Leclercq ..... D12/169  
D746,188 S \* 12/2015 Nakagawa ..... D12/169  
D748,189 S \* 1/2016 Fuchs ..... D16/335  
D772,118 S 11/2016 Schneider  
D786,746 S \* 5/2017 Wheel ..... D12/169  
D792,298 S \* 7/2017 Komuro ..... D12/169  
D793,927 S \* 8/2017 Potter ..... D12/169  
D797,617 S \* 9/2017 Mori ..... D12/169  
D801,883 S \* 11/2017 Fujiwara ..... D12/169  
D803,738 S \* 11/2017 Granlund ..... D12/169  
D813,112 S \* 3/2018 Beermann ..... D12/169  
D813,115 S 3/2018 Holstein  
D856,217 S \* 8/2019 Melikian ..... D12/169  
D856,869 S \* 8/2019 Schneider ..... D12/169  
D859,237 S \* 9/2019 Koo ..... D12/169

\* cited by examiner

(30) **Foreign Application Priority Data**

Sep. 20, 2018 (DE) ..... 40 2018 100 956

(51) **LOC (12) Cl.** ..... **12-16**  
(52) **U.S. Cl.**  
USPC ..... **D12/169**

(58) **Field of Classification Search**  
USPC .... D12/169, 164, 196, 171, 163, 86, 90-92;  
293/102, 113, 115, 117, 120; 296/180.1,  
296/180.2  
CPC ..... B60R 19/02; B60R 19/04; B62D 25/08  
See application file for complete search history.

(56) **References Cited**

**U.S. PATENT DOCUMENTS**

D629,727 S 12/2010 Schneider  
D678,144 S \* 3/2013 Behmer ..... D12/169  
D714,196 S \* 9/2014 Mays ..... D12/169  
D715,708 S \* 10/2014 Mays ..... D12/169  
D718,678 S \* 12/2014 Ishizuka ..... D12/169

*Primary Examiner* — Melody N Brown

(74) *Attorney, Agent, or Firm* — Crowell & Moring LLP

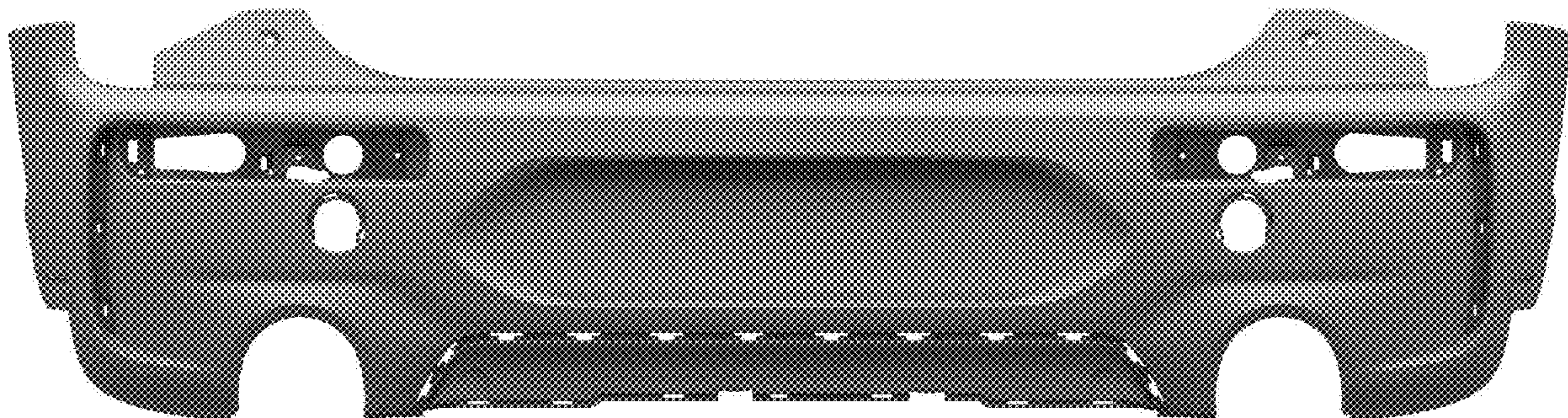
(57) **CLAIM**

The ornamental design for a rear bumper for a vehicle, as shown and described.

**DESCRIPTION**

FIG. 1 is a front view of a rear bumper for a vehicle according to the design;  
FIG. 2 is a left, front perspective view thereof;  
FIG. 3 is a right, front perspective view thereof;  
FIG. 4 is a left side view thereof;  
FIG. 5 is a right side view thereof;  
FIG. 6 is a top view thereof;  
FIG. 7 is a bottom view thereof; and,  
FIG. 8 is a rear view thereof.

**1 Claim, 8 Drawing Sheets**





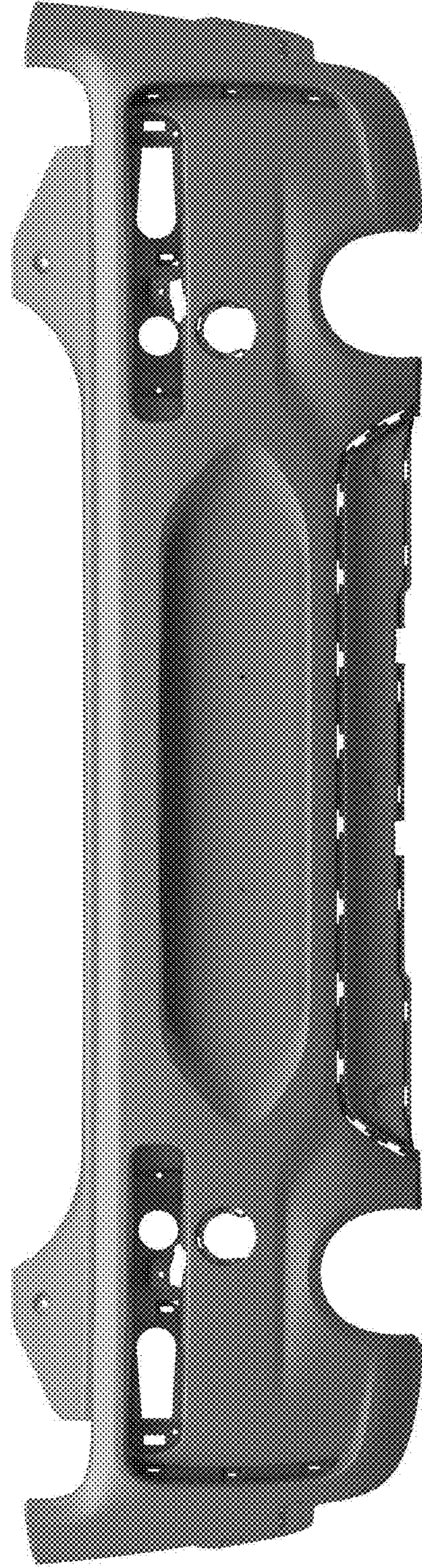


Fig. 1



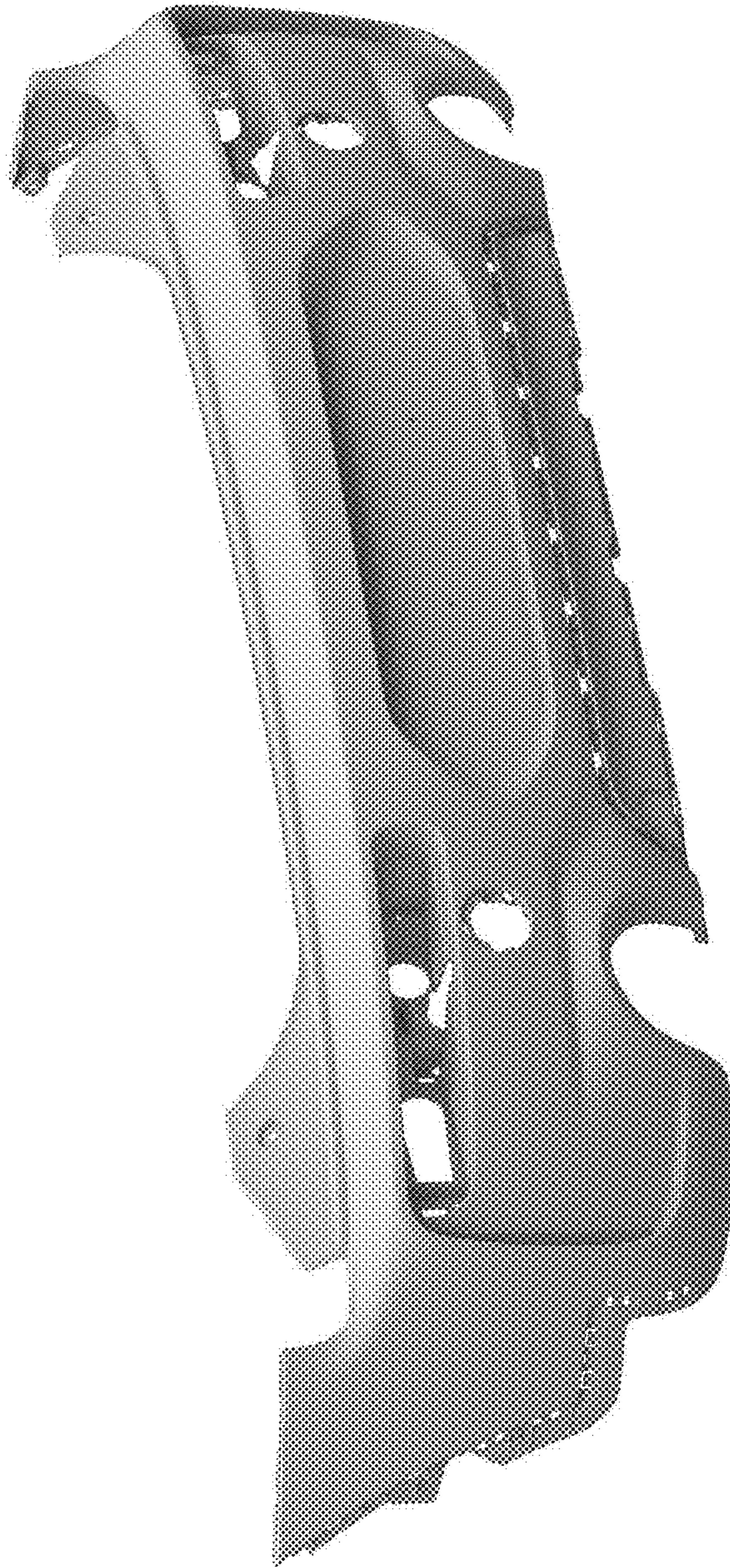


Fig. 2

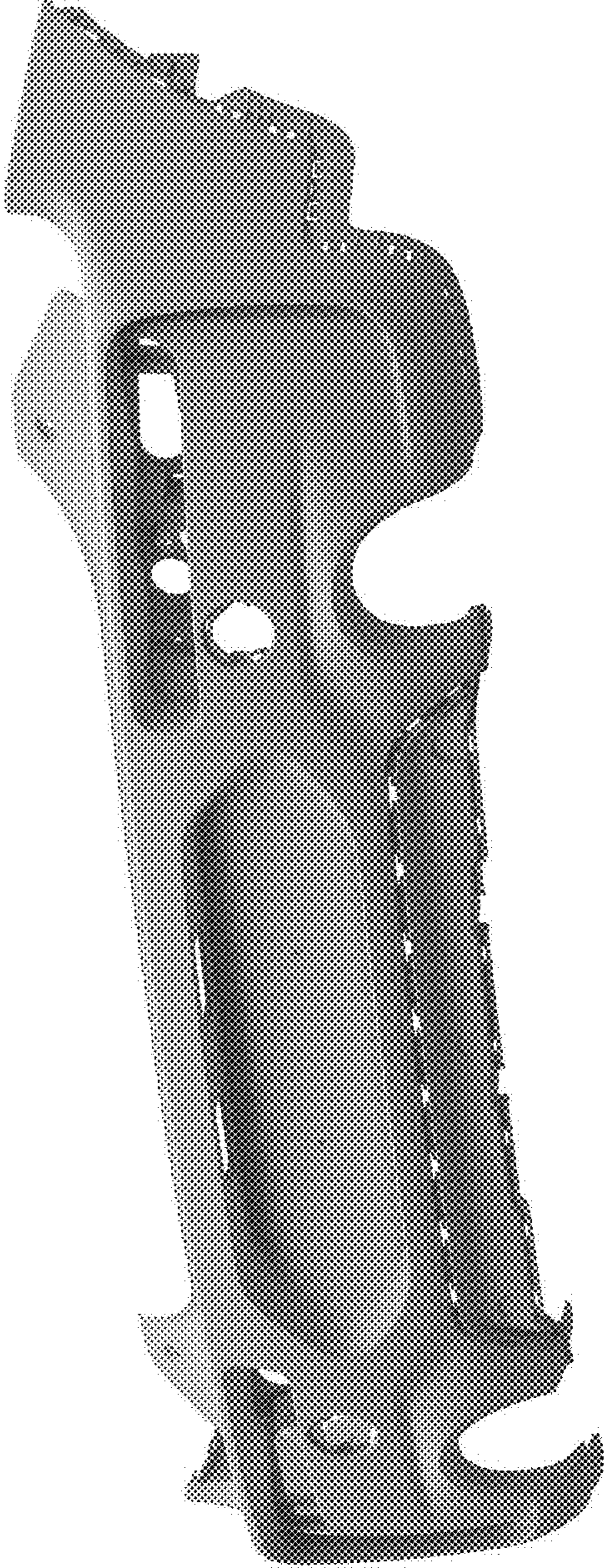


Fig. 3



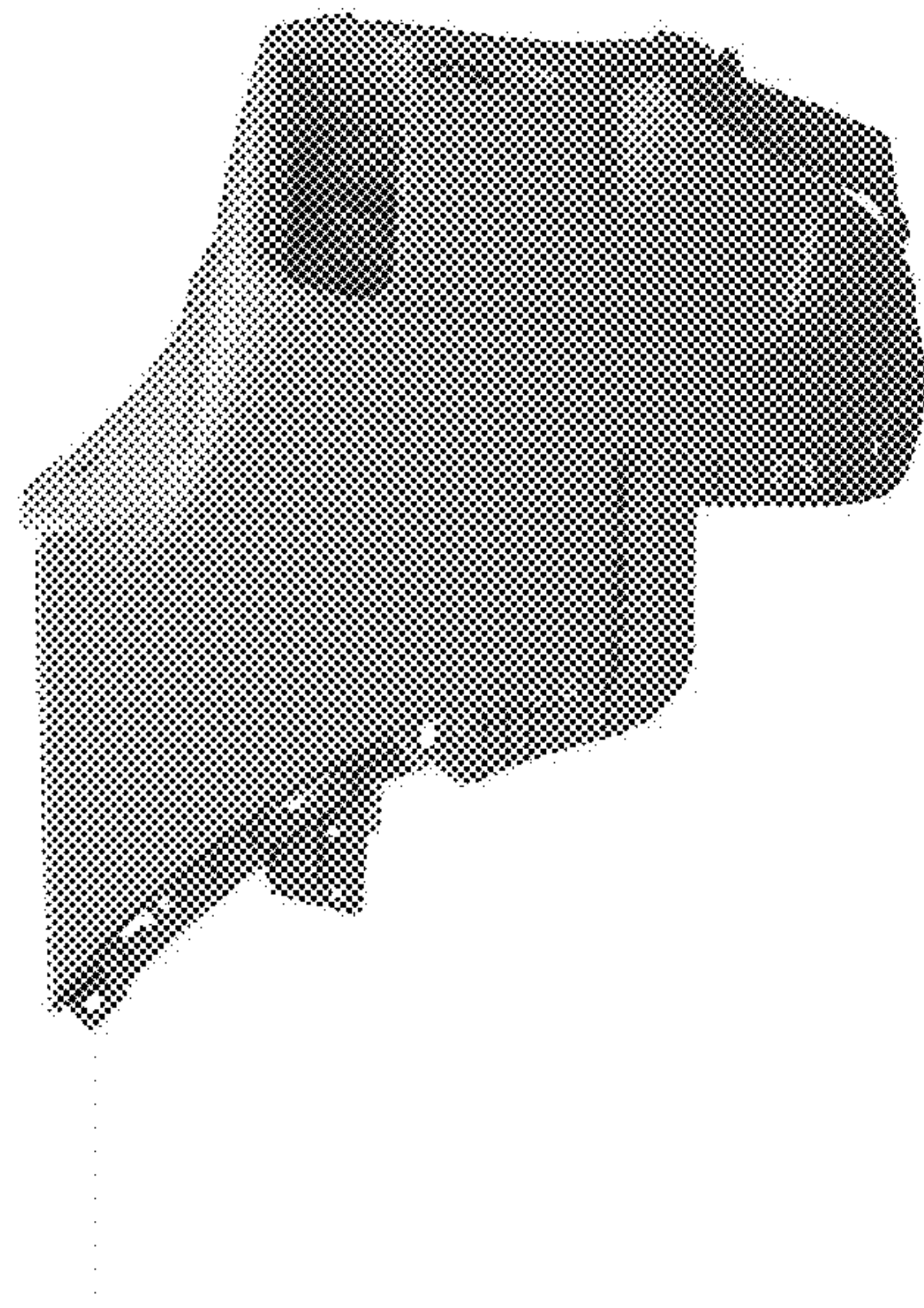


Fig. 4

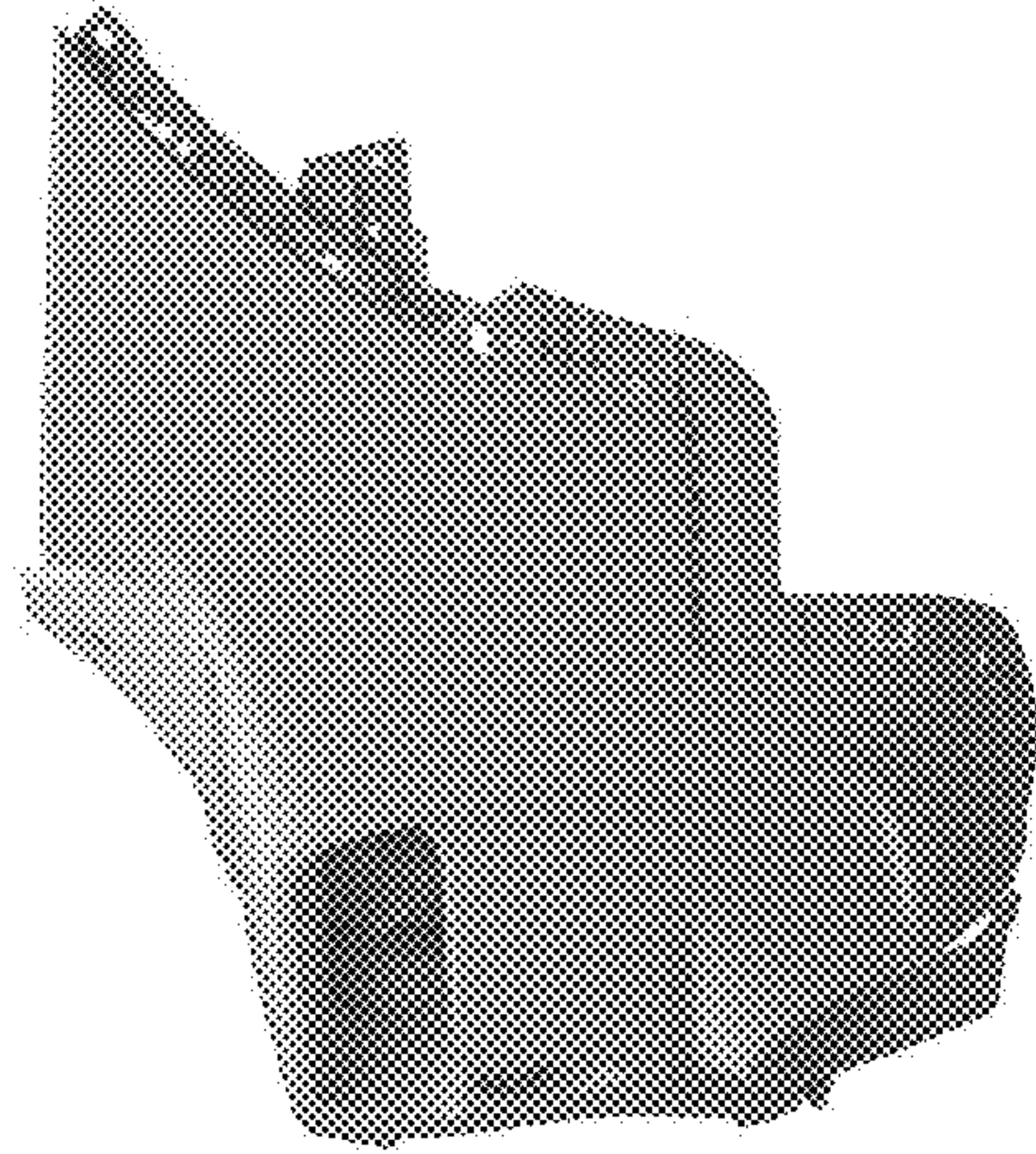


Fig. 5



Fig. 6

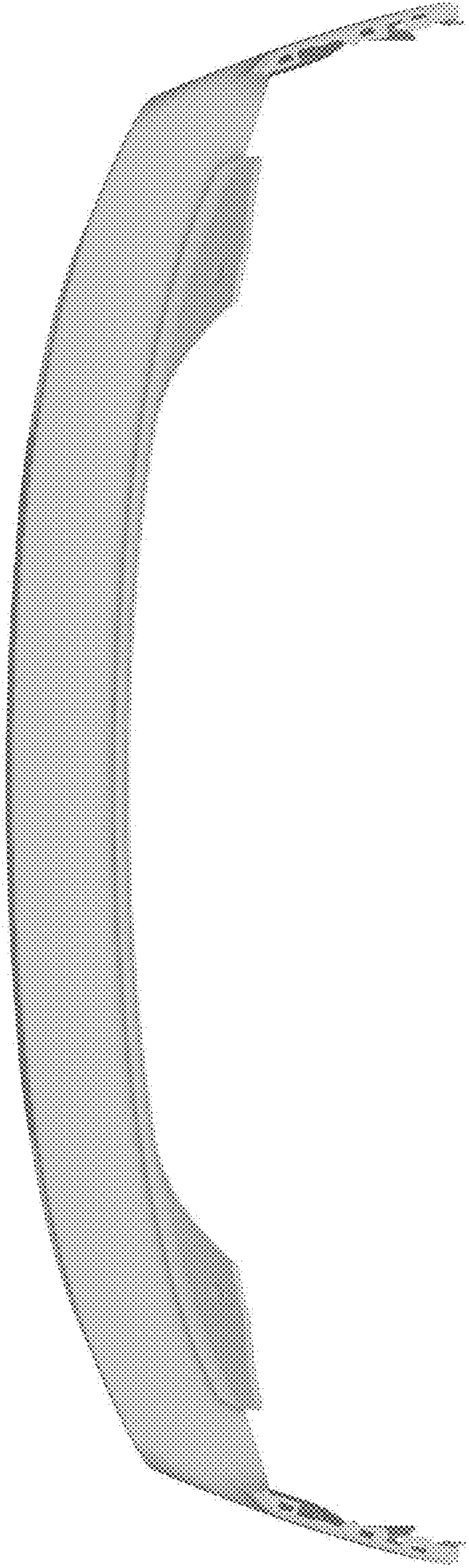


Fig. 7



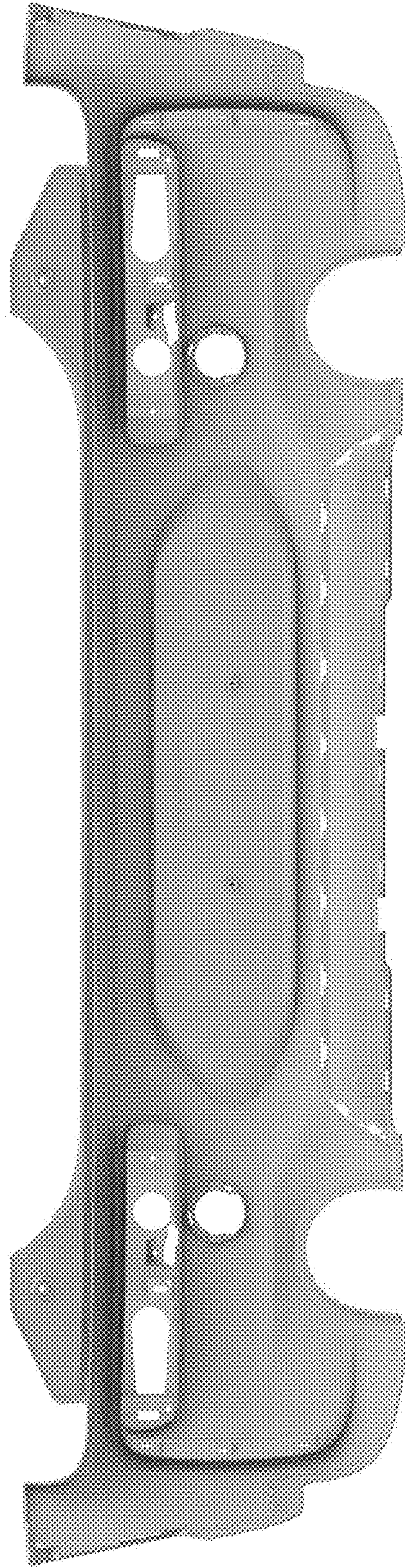


Fig. 8