



US00D887322S

(12) **United States Design Patent**  
**Woodhouse et al.**

(10) **Patent No.:** **US D887,322 S**  
(45) **Date of Patent:** **\*\* Jun. 16, 2020**

(54) **VEHICLE FRONT UPPER GRILLE**

(71) Applicant: **Ford Global Technologies, LLC,**  
Dearborn, MI (US)

(72) Inventors: **David Woodhouse,** Troy, MI (US);  
**Kemal Curic,** Irvine, CA (US); **Shawn Wehrly,** Northville, MI (US); **Hojoon Kang,** Novi, MI (US)

(73) Assignee: **Ford Global Technologies, LLC,**  
Dearborn, MI (US)

(\*\*) Term: **15 Years**

(21) Appl. No.: **29/685,590**

(22) Filed: **Mar. 29, 2019**

(51) **LOC (12) Cl.** ..... **12-16**

(52) **U.S. Cl.**  
USPC ..... **D12/163**

(58) **Field of Classification Search**  
USPC ..... D12/163, 196, 86, 90-92, 169, 190, 98,  
D12/164; 293/102, 113, 115, 117, 120,  
293/193.11; 296/180.1, 180.2; 180/68.1,  
180/68.6  
CPC ..... B60R 19/52; B60K 11/08; B62D 25/08;  
B62B 9/16  
See application file for complete search history.

(56) **References Cited**

**U.S. PATENT DOCUMENTS**

D703,110 S 4/2014 Gueler et al.  
D740,185 S 10/2015 Blanski et al.

D756,854 S \* 5/2016 Horiuchi ..... D12/163  
D758,928 S \* 6/2016 Messale ..... D12/163  
D766,782 S \* 9/2016 Arroba ..... D12/163  
D769,779 S \* 10/2016 Woodhouse ..... D12/163  
D770,942 S \* 11/2016 Woodhouse ..... D12/92  
D781,188 S \* 3/2017 Wolff ..... D12/163  
D787,375 S \* 5/2017 Curic ..... D12/92  
D787,376 S \* 5/2017 Wolff ..... D12/92  
D788,654 S \* 6/2017 Curic ..... D12/163  
D793,283 S \* 8/2017 Woodhouse ..... D12/91  
D819,514 S \* 6/2018 Woodhouse ..... D12/163  
D865,581 S \* 11/2019 Woodhouse ..... D12/163  
D865,582 S \* 11/2019 Woodhouse ..... D12/163  
D869,337 S \* 12/2019 Woodhouse ..... D12/91

\* cited by examiner

*Primary Examiner* — Melody N Brown

(74) *Attorney, Agent, or Firm* — Vichit Chea

(57) **CLAIM**

The ornamental design for a vehicle front upper grille, as shown and described.

**DESCRIPTION**

FIG. 1 is a front elevational view of a vehicle front upper grille, showing our new design;  
FIG. 2 is a left side elevational view thereof;  
FIG. 3 is a right side elevational view thereof;  
FIG. 4 is a top plan view thereof;  
FIG. 5 is a bottom plan view thereof;  
FIG. 6 is a top, front and left side perspective view thereof;  
and,  
FIG. 7 is a bottom, front and left side perspective view thereof.

**1 Claim, 7 Drawing Sheets**

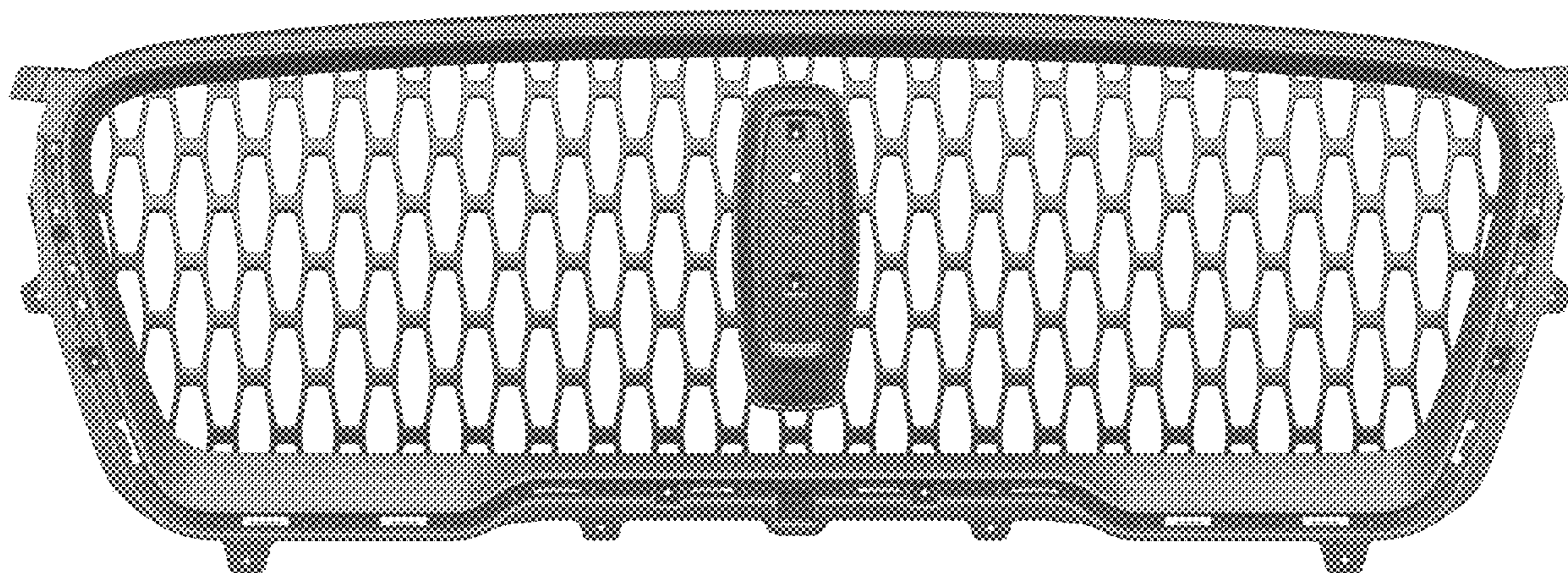




Fig. 1

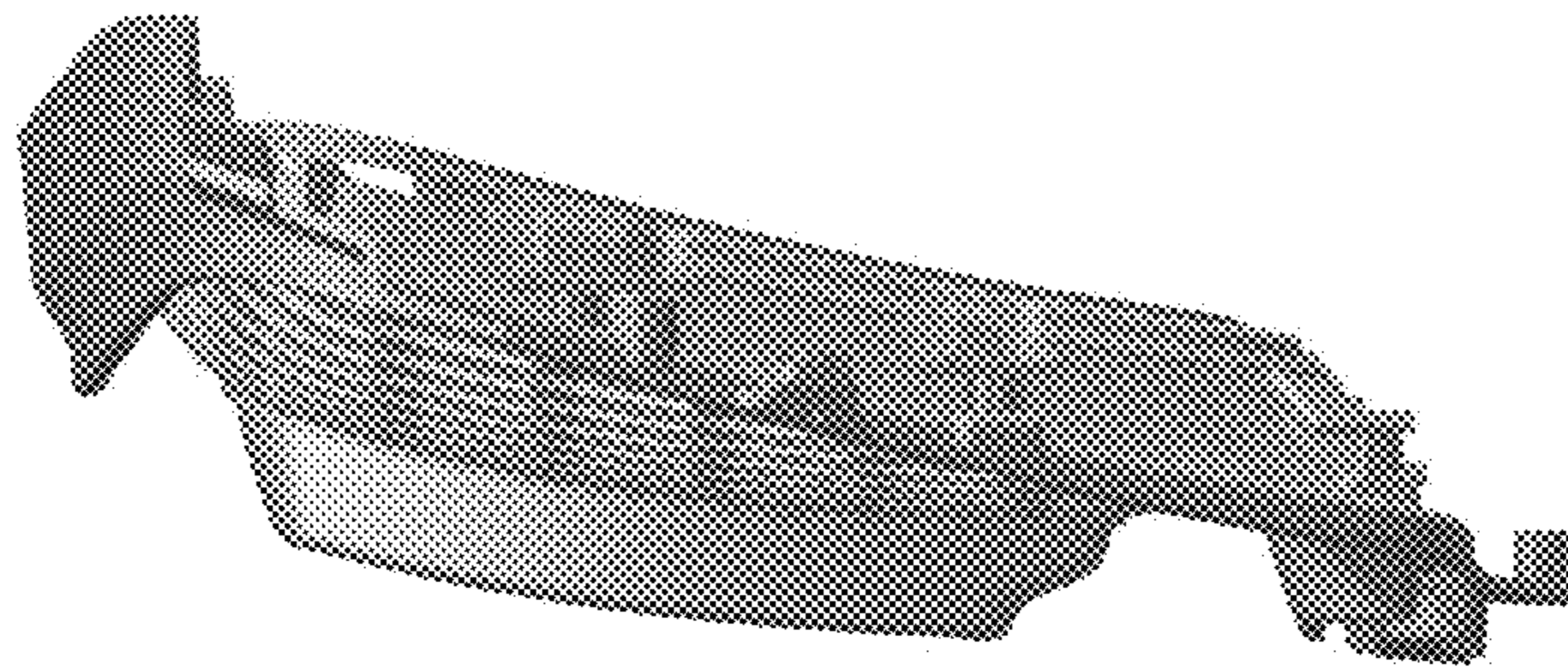


Fig. 2

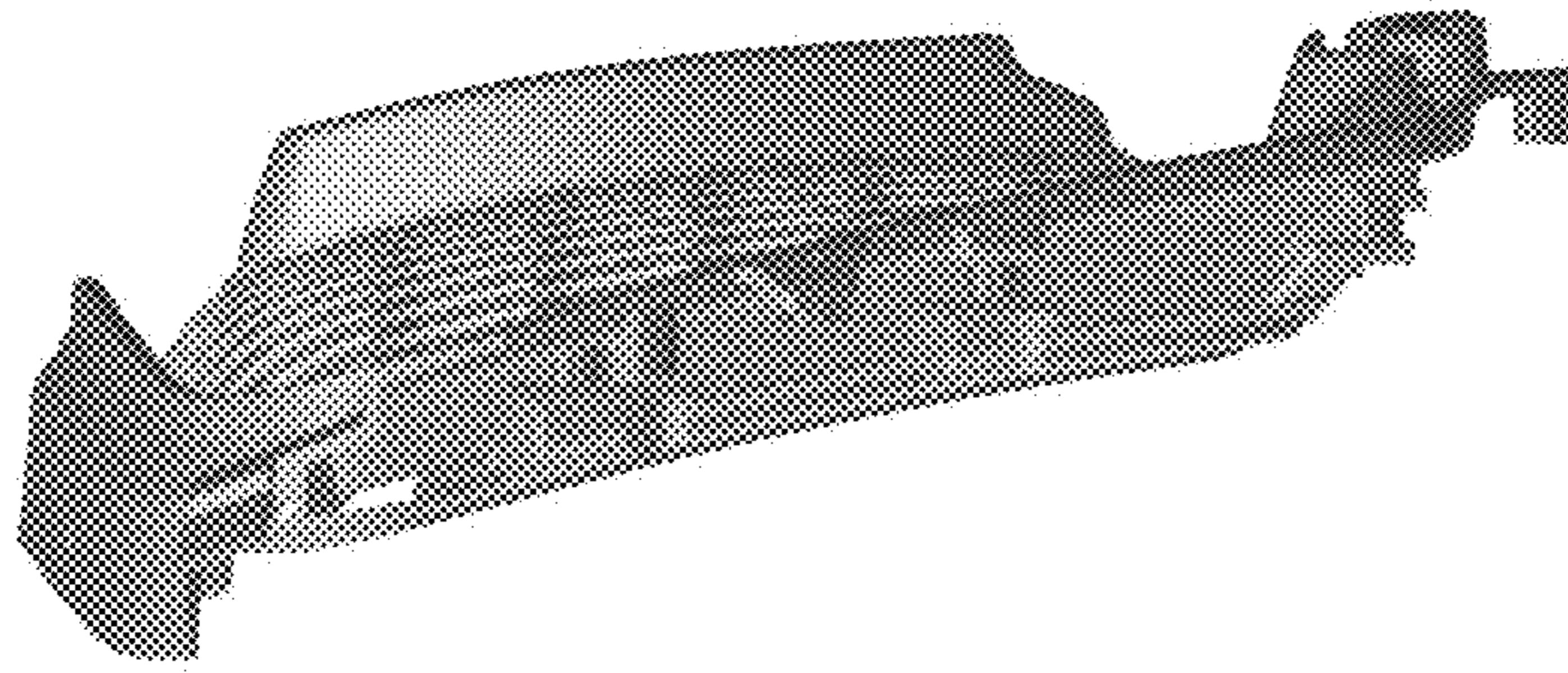


Fig. 3

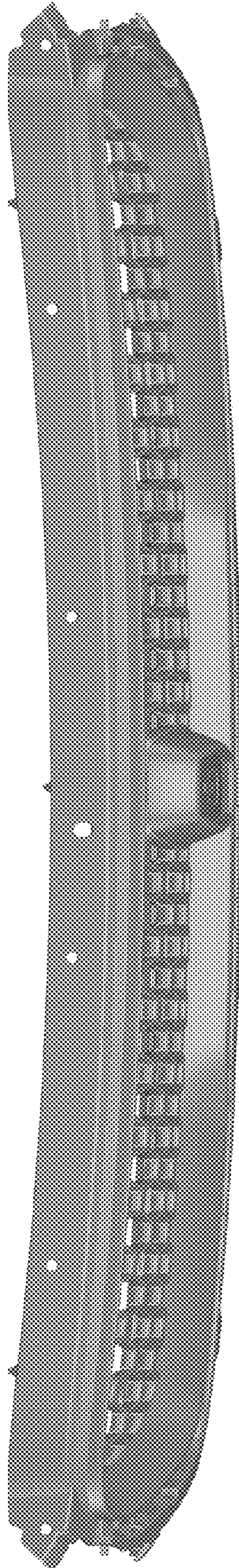
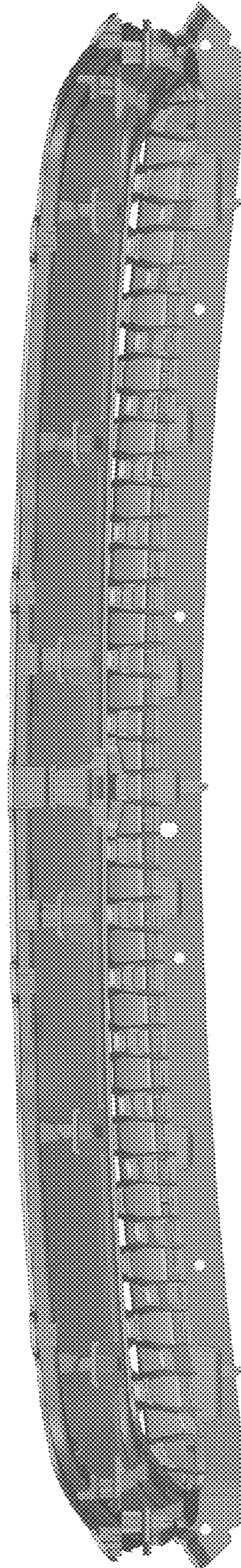


Fig.4

Fig. 5



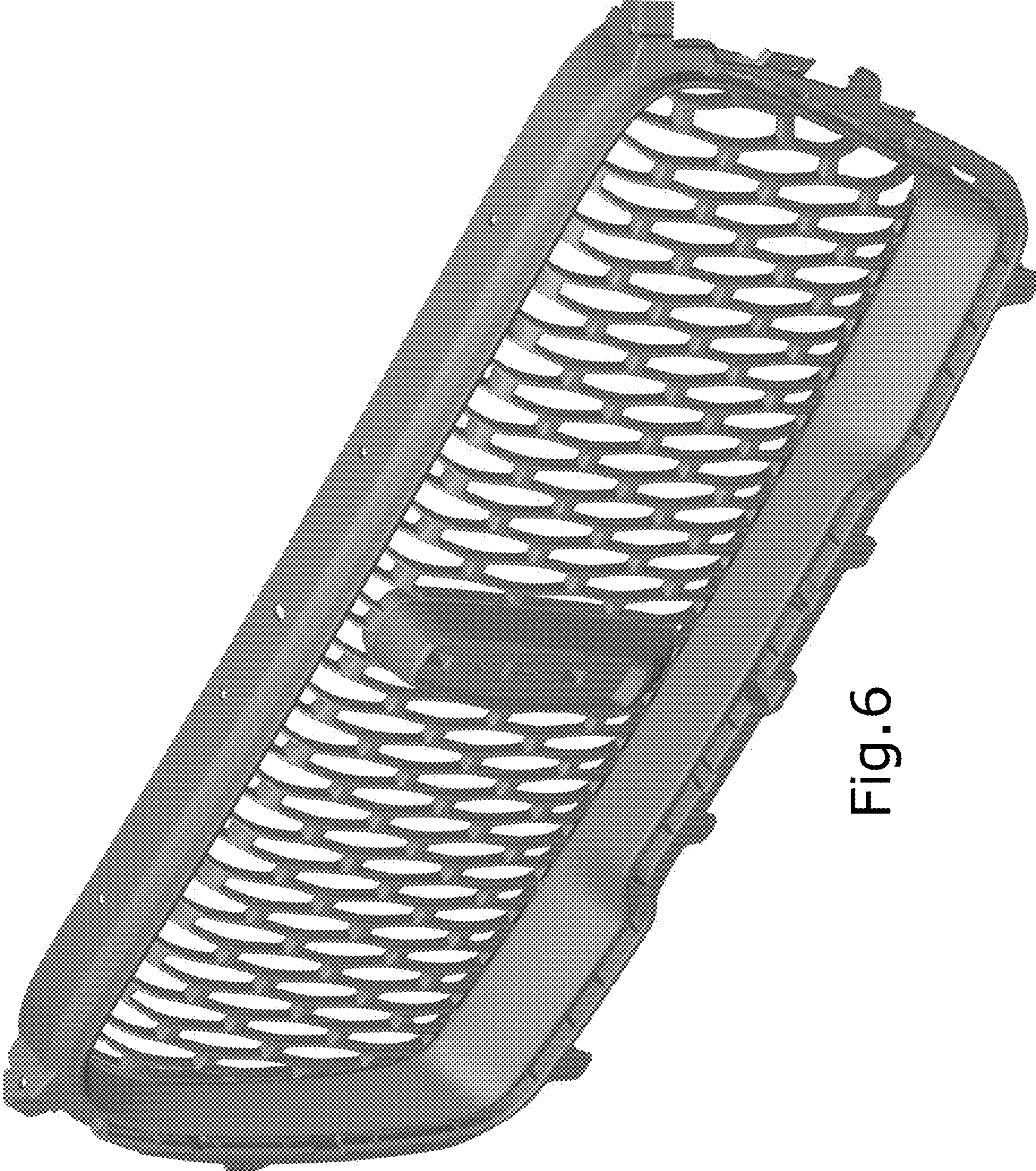


Fig. 6

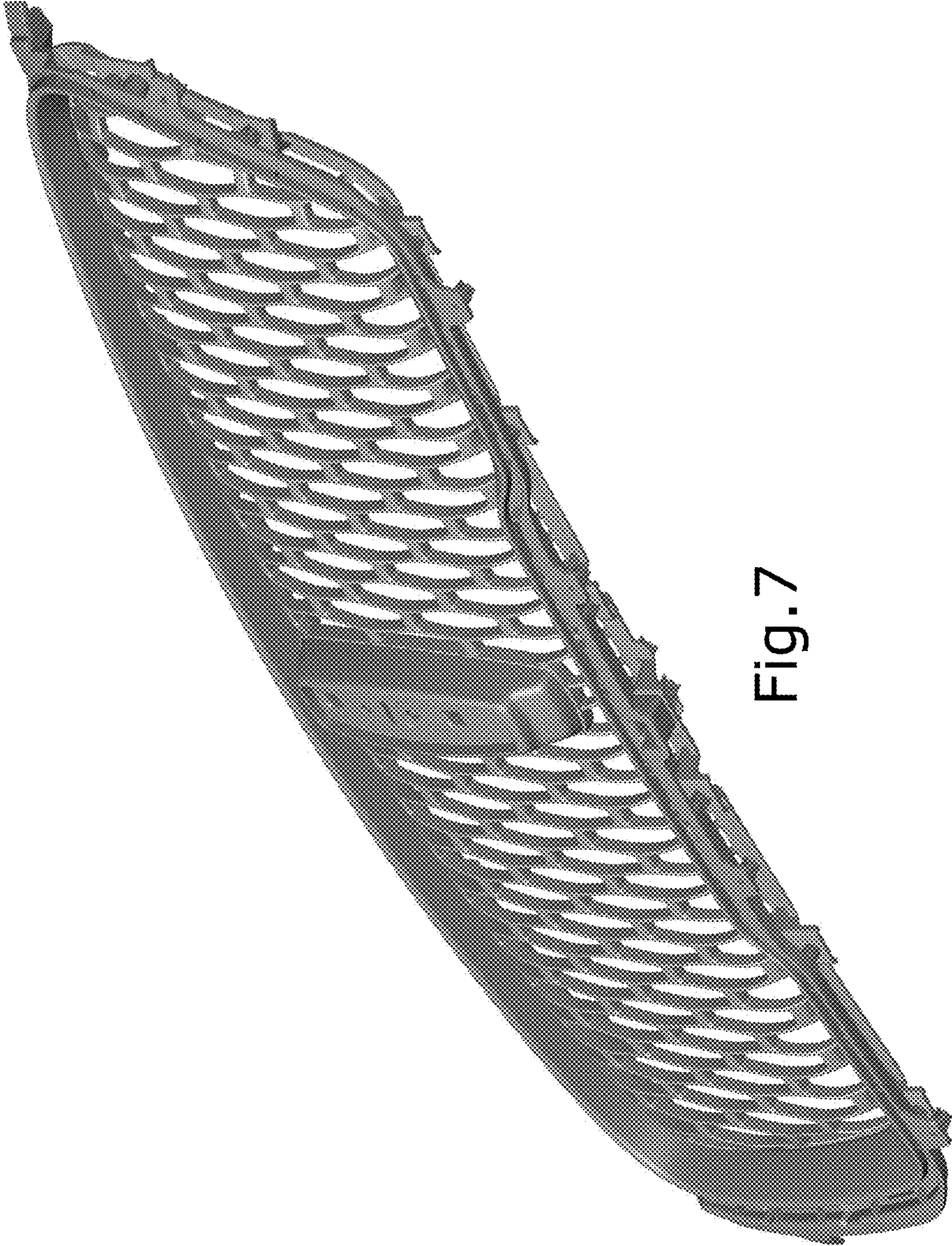


Fig. 7