



US00D887316S

(12) **United States Design Patent** (10) **Patent No.:** **US D887,316 S**
Dean et al. (45) **Date of Patent:** **** Jun. 16, 2020**

(54) **MOTORIZED MOBILE SYSTEM SENSOR
POD**

(71) Applicant: **Patroness, LLC**, Nashville, TN (US)

(72) Inventors: **Jered H. Dean**, Arvada, CO (US); **Karl
A. Grueschow**, Westminster, CO (US);
Philip Graham Rowe, Denver, CO
(US)

(73) Assignee: **Patroness, LLC**, Nashville, TN (US)

(**) Term: **15 Years**

(21) Appl. No.: **29/711,738**

(22) Filed: **Nov. 1, 2019**

(51) **LOC (12) Cl.** **12-12**

(52) **U.S. Cl.**
USPC **D12/133**

(58) **Field of Classification Search**
USPC D12/128-133
CPC A61G 5/04; A61G 5/041-047; A61G
2005/048
See application file for complete search history.

(56) **References Cited**

U.S. PATENT DOCUMENTS

D315,539 S	3/1991	Okamoto	
D315,886 S	4/1991	Wood	
D509,774 S *	9/2005	Chen	D12/131
D513,720 S *	1/2006	Etzioni	D12/131
D517,456 S	3/2006	Wu	
D523,788 S *	6/2006	Jones	D12/131
D525,569 S	7/2006	Azuma	
D561,651 S	2/2008	Yamagishi	
D569,769 S *	5/2008	Chiu	D12/131
D590,304 S *	4/2009	Kruse	D12/131
D621,307 S *	8/2010	Kagi	D12/131
D627,270 S *	11/2010	Kretschmer	D12/131
D632,229 S *	2/2011	Kruse	D12/131
D635,493 S	4/2011	Art	

D673,083 S	12/2012	Daff	
D714,167 S	9/2014	Hyllbrant	
D720,661 S *	1/2015	Siao	D12/131
D742,795 S	11/2015	Siao	
D745,441 S *	12/2015	Ohruh	D12/131
D793,289 S	8/2017	Jahkel	
D807,235 S	1/2018	Collins	
D829,120 S	9/2018	Mitchell	
D833,920 S	11/2018	Grant	
D848,317 S *	5/2019	Sugie	D12/131
D857,562 S *	8/2019	McCullough	D12/131
D871,272 S *	12/2019	Cheng	D12/131

* cited by examiner

Primary Examiner — Charles D Hanson

(74) *Attorney, Agent, or Firm* — Polsinelli P.C.

(57) **CLAIM**

The ornamental design for a motorized mobile system sensor pod, as shown and described.

DESCRIPTION

FIG. 1 is a side perspective view of a motorized mobile system sensor pod mounted on a motorized mobile system showing our new design.

FIG. 2 is an isometric view of the motorized mobile system sensor pod showing our new design.

FIG. 3 is a bottom perspective view thereof.

FIG. 4 is a front view thereof.

FIG. 5 is a back view thereof.

FIG. 6 is a top view thereof.

FIG. 7 is a bottom view thereof.

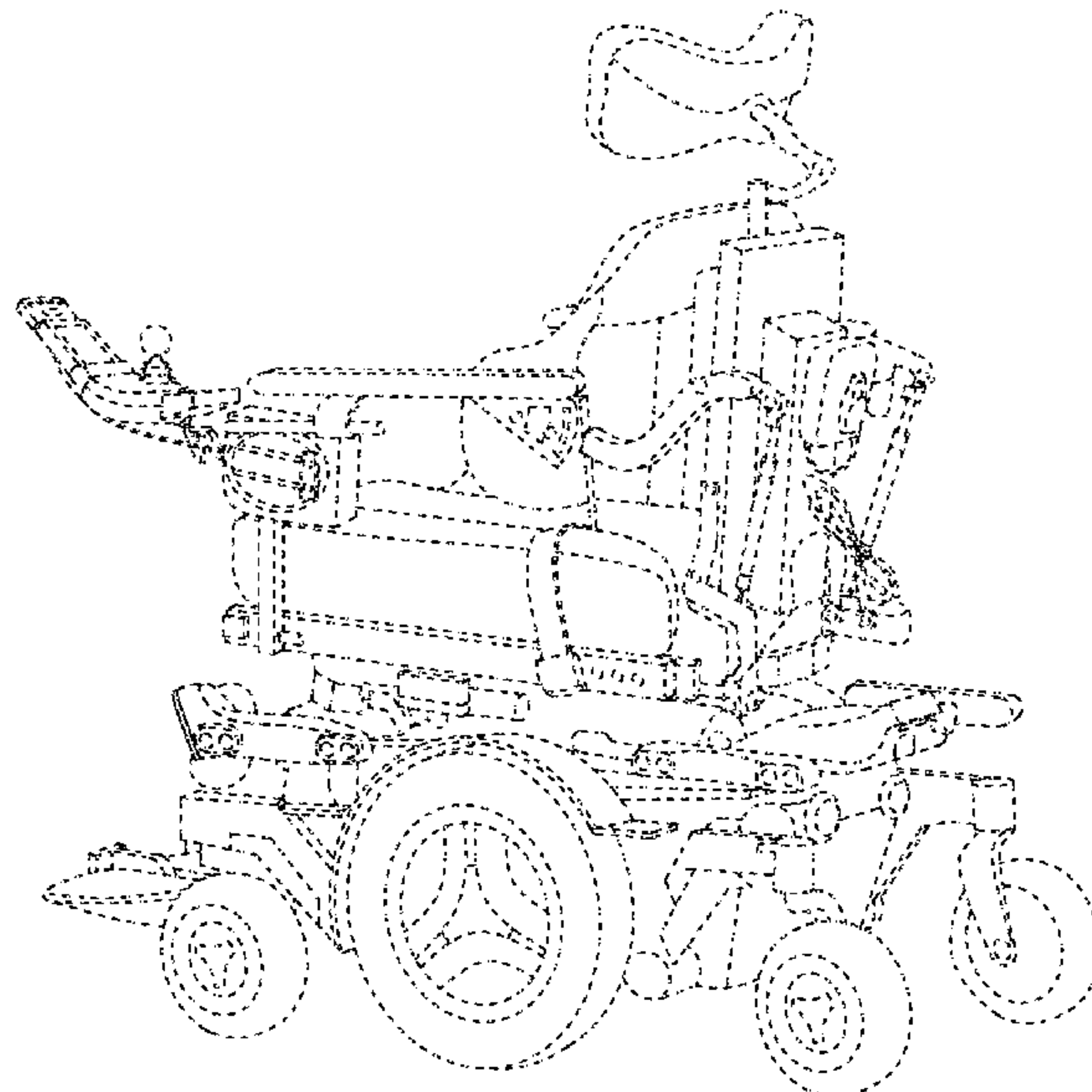
FIG. 8 is a right side view thereof; and,

FIG. 9 is a left side view thereof.

The broken lines in the Figures show environment or portions of the motorized mobile system sensor pod that form no part of the claimed design.

The shade lines in the Figures show contour and do not claim surface ornamentation or treatment.

1 Claim, 9 Drawing Sheets



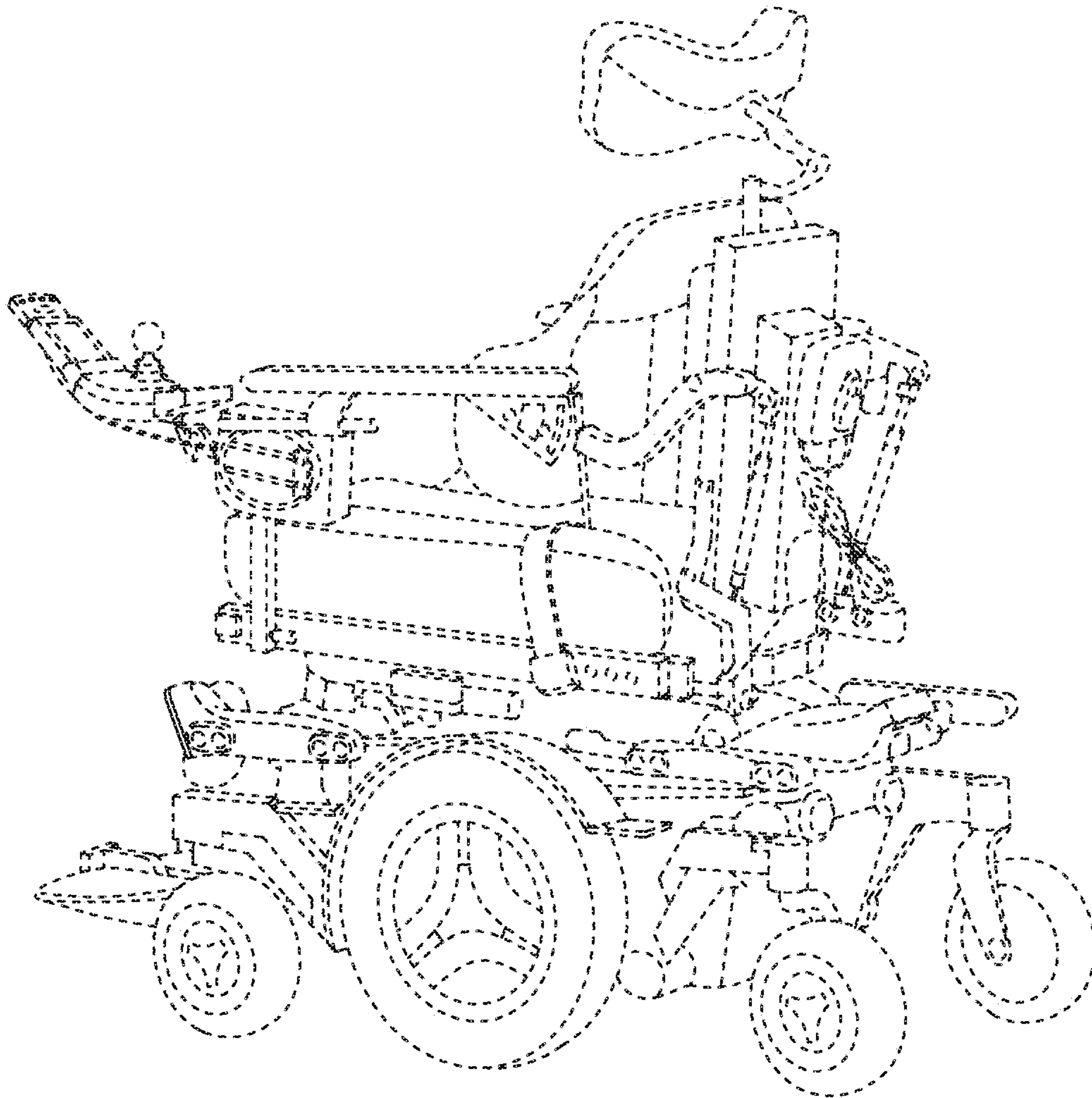


FIG. 1

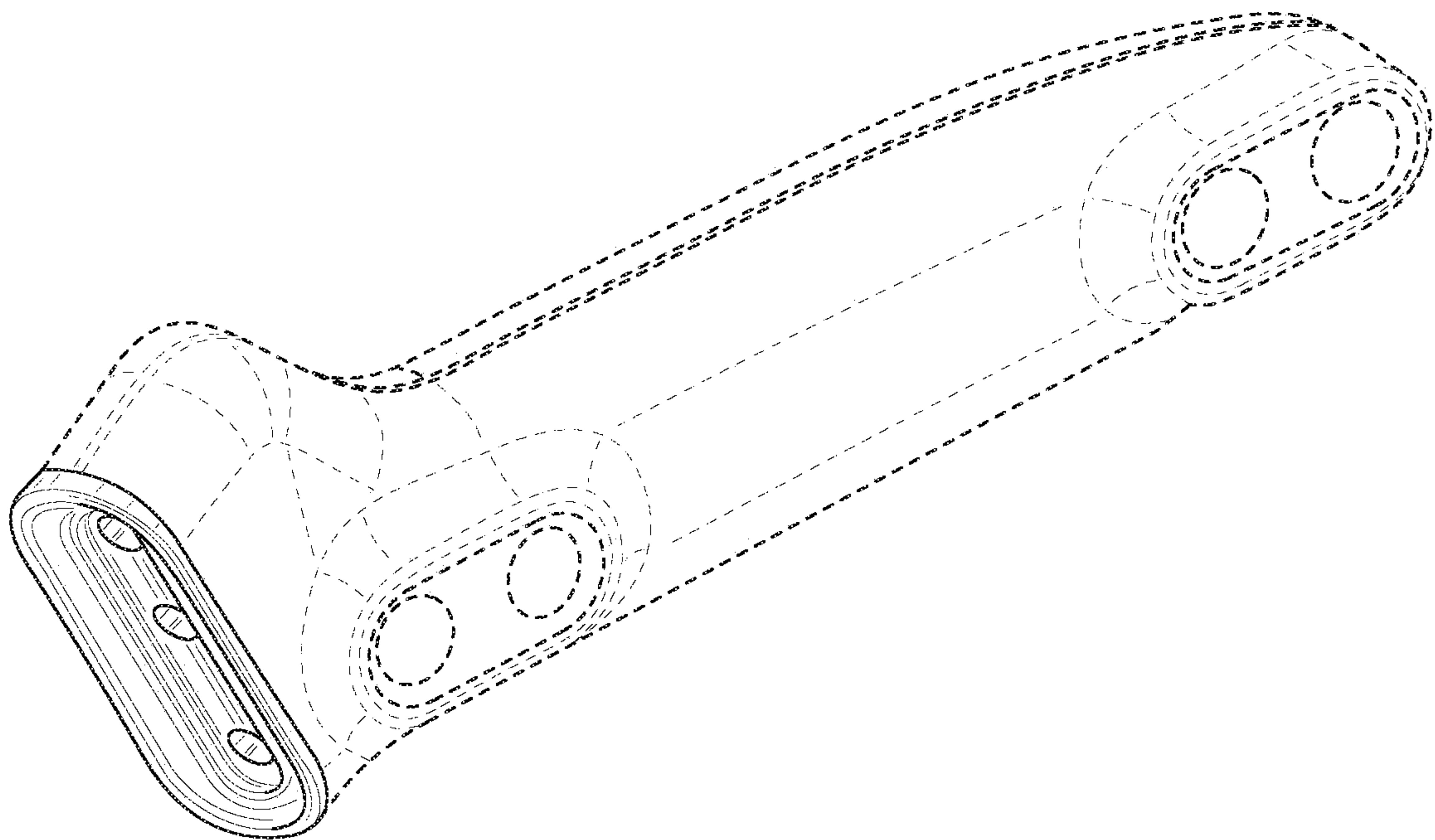


FIG. 2

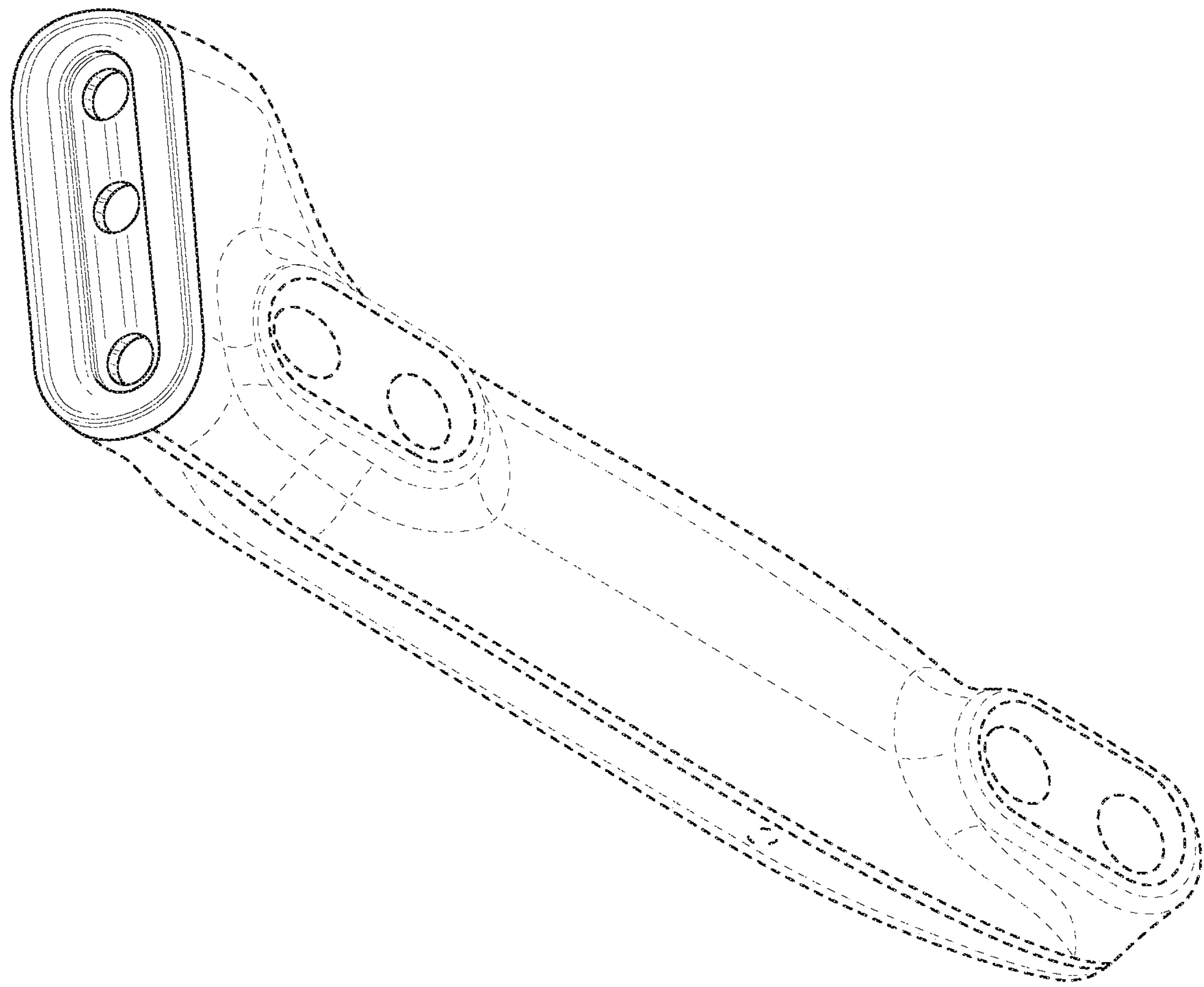


FIG. 3

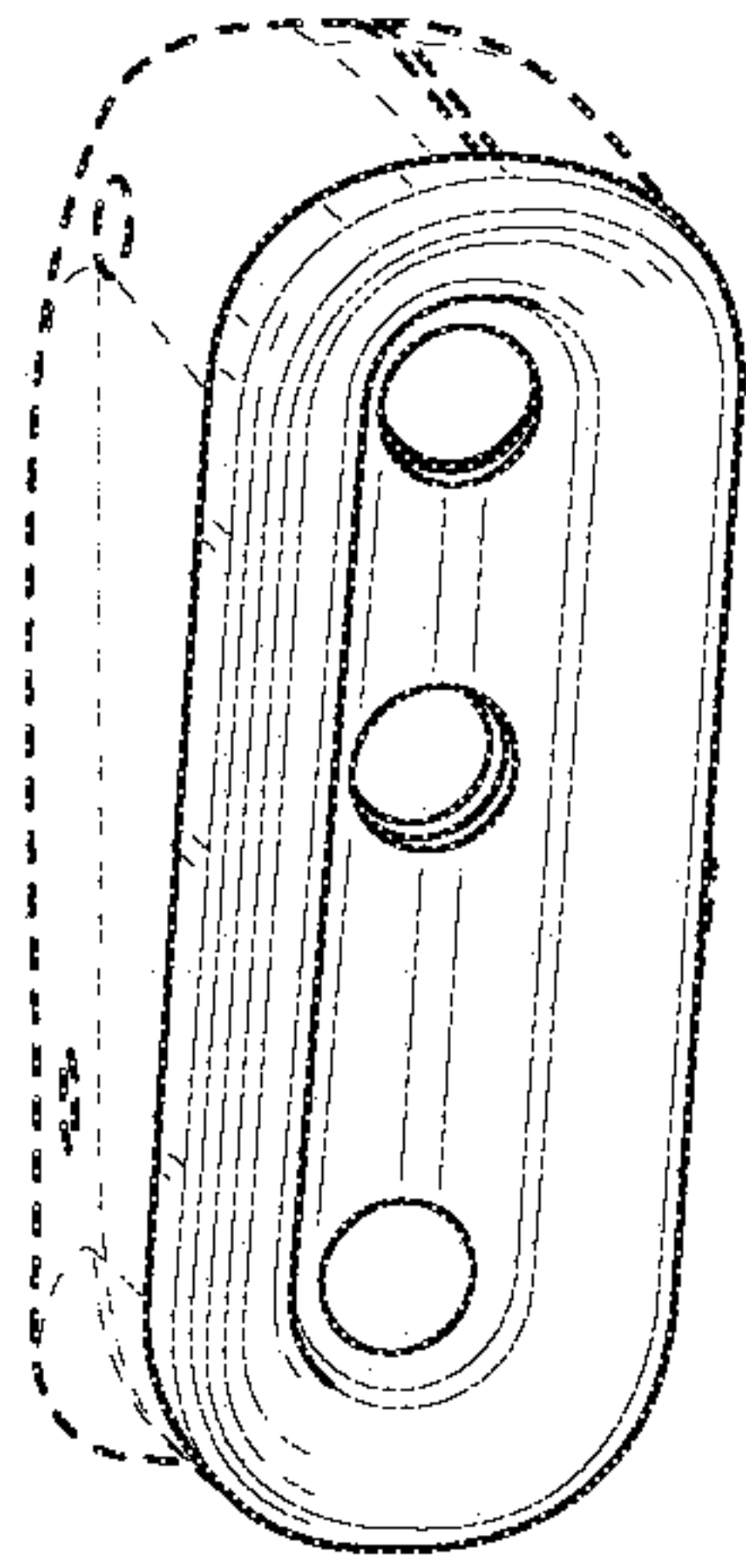


FIG. 4

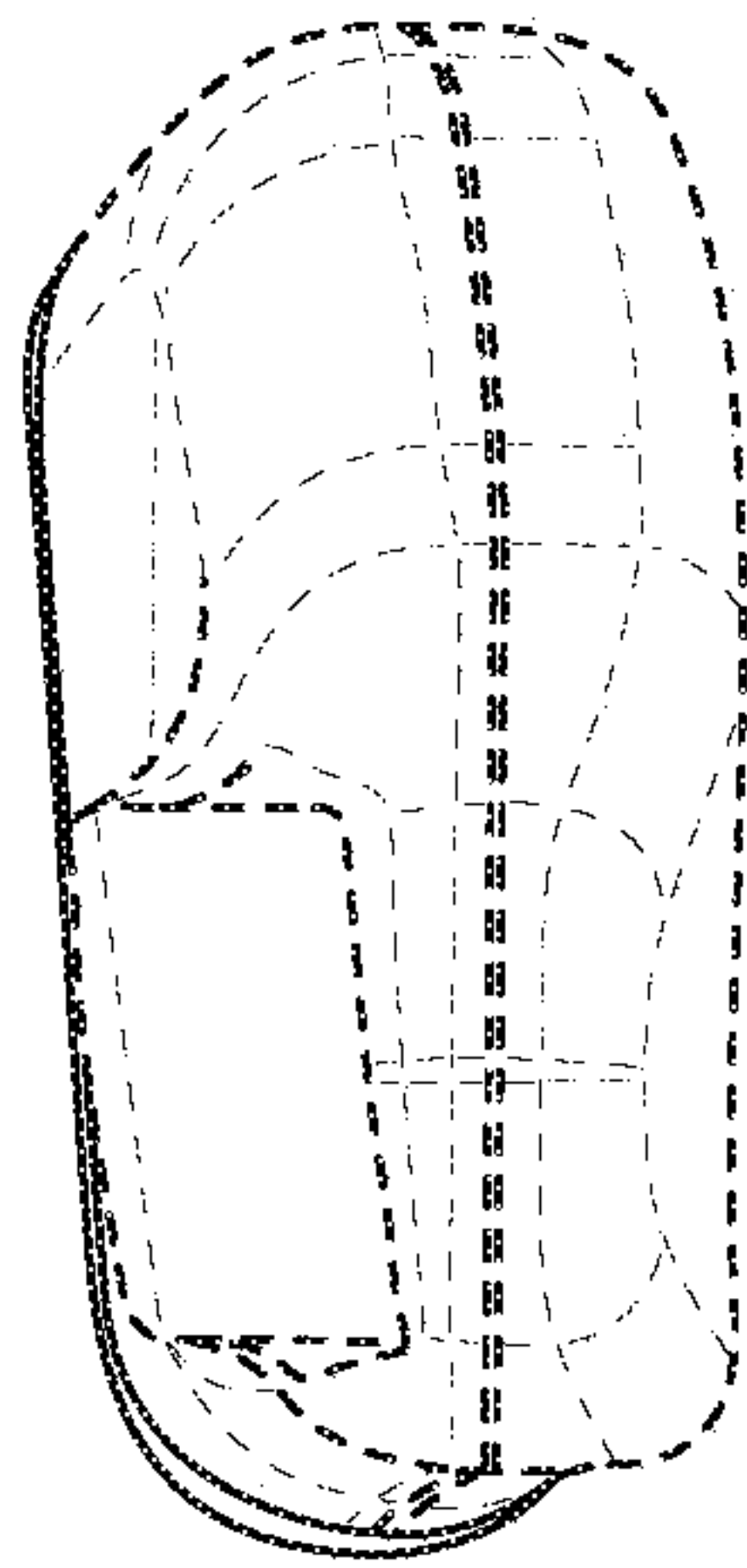


FIG. 5

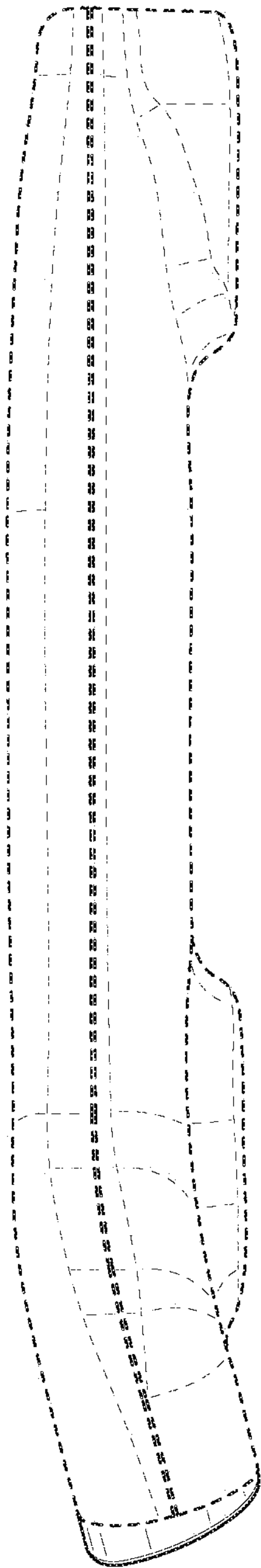


FIG. 6

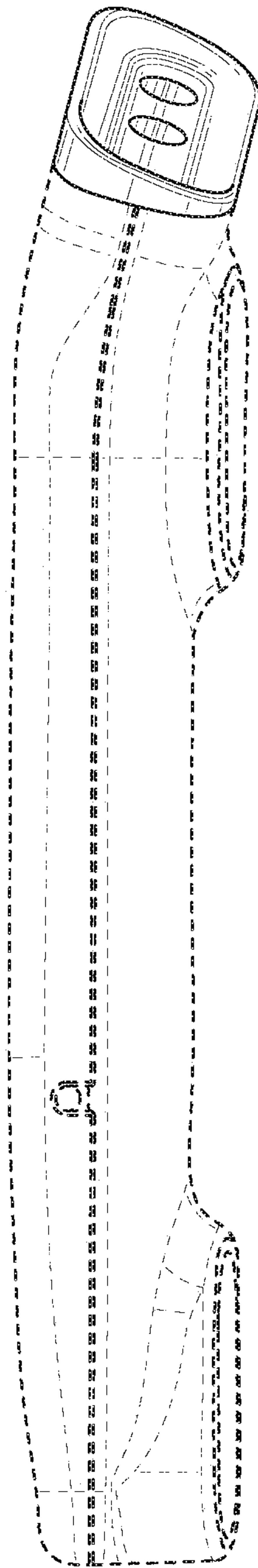


FIG. 7

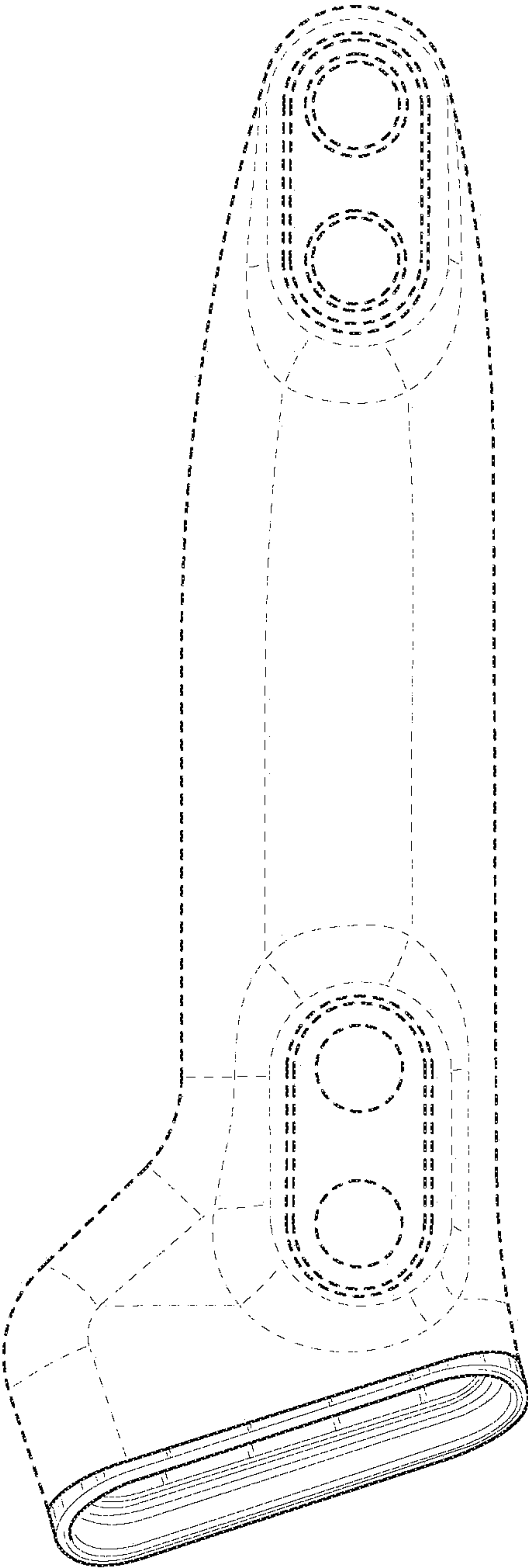


FIG. 8

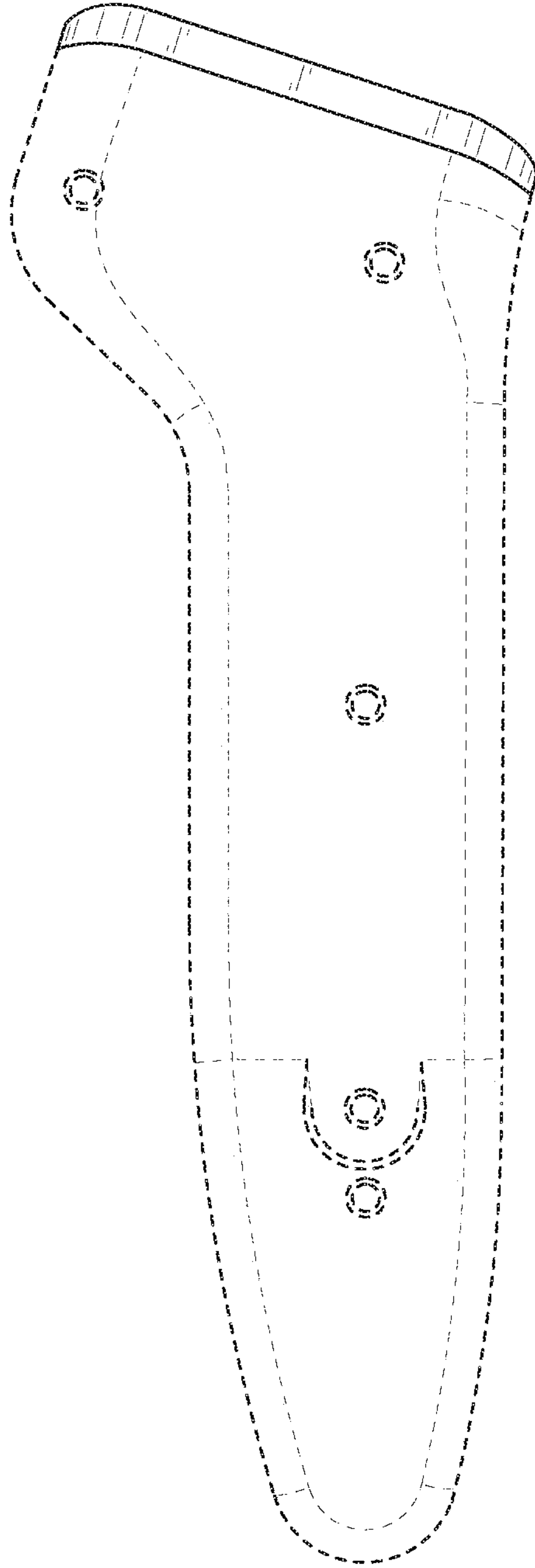


FIG. 9