



US00D887314S

(12) **United States Design Patent** (10) **Patent No.:** **US D887,314 S**
Dean et al. (45) **Date of Patent:** **** Jun. 16, 2020**

(54) **MOTORIZED MOBILE SYSTEM CONTROLLER**
(71) Applicant: **Patroness, LLC**, Nashville, TN (US)
(72) Inventors: **Jered H. Dean**, Arvada, CO (US); **Karl A. Grueschow**, Westminster, CO (US); **Philip Graham Rowe**, Denver, CO (US)
(73) Assignee: **Patroness, LLC**, Nashville, TN (US)
(**) Term: **15 Years**
(21) Appl. No.: **29/711,733**
(22) Filed: **Nov. 1, 2019**
(51) **LOC (12) Cl.** **12-12**
(52) **U.S. Cl.**
USPC **D12/133**
(58) **Field of Classification Search**
USPC D12/128-133
CPC A61G 5/04; A61G 5/041-047; A61G 2005/048
See application file for complete search history.

D673,083 S 12/2012 Daff
D714,167 S 9/2014 Hyllbrant
D720,661 S * 1/2015 Siao D12/131
D742,795 S 11/2015 Siao
D745,441 S * 12/2015 Ohruh D12/131
D793,289 S 8/2017 Jahkel
D807,235 S 1/2018 Collins
D829,120 S 9/2018 Mitchell
D833,920 S 11/2018 Grant
D848,317 S * 5/2019 Sugie D12/131
D857,562 S * 8/2019 McCollough D12/131
D871,272 S * 12/2019 Cheng D12/131

* cited by examiner

Primary Examiner — Charles D Hanson
(74) *Attorney, Agent, or Firm* — Polsinelli P.C.

(57) **CLAIM**

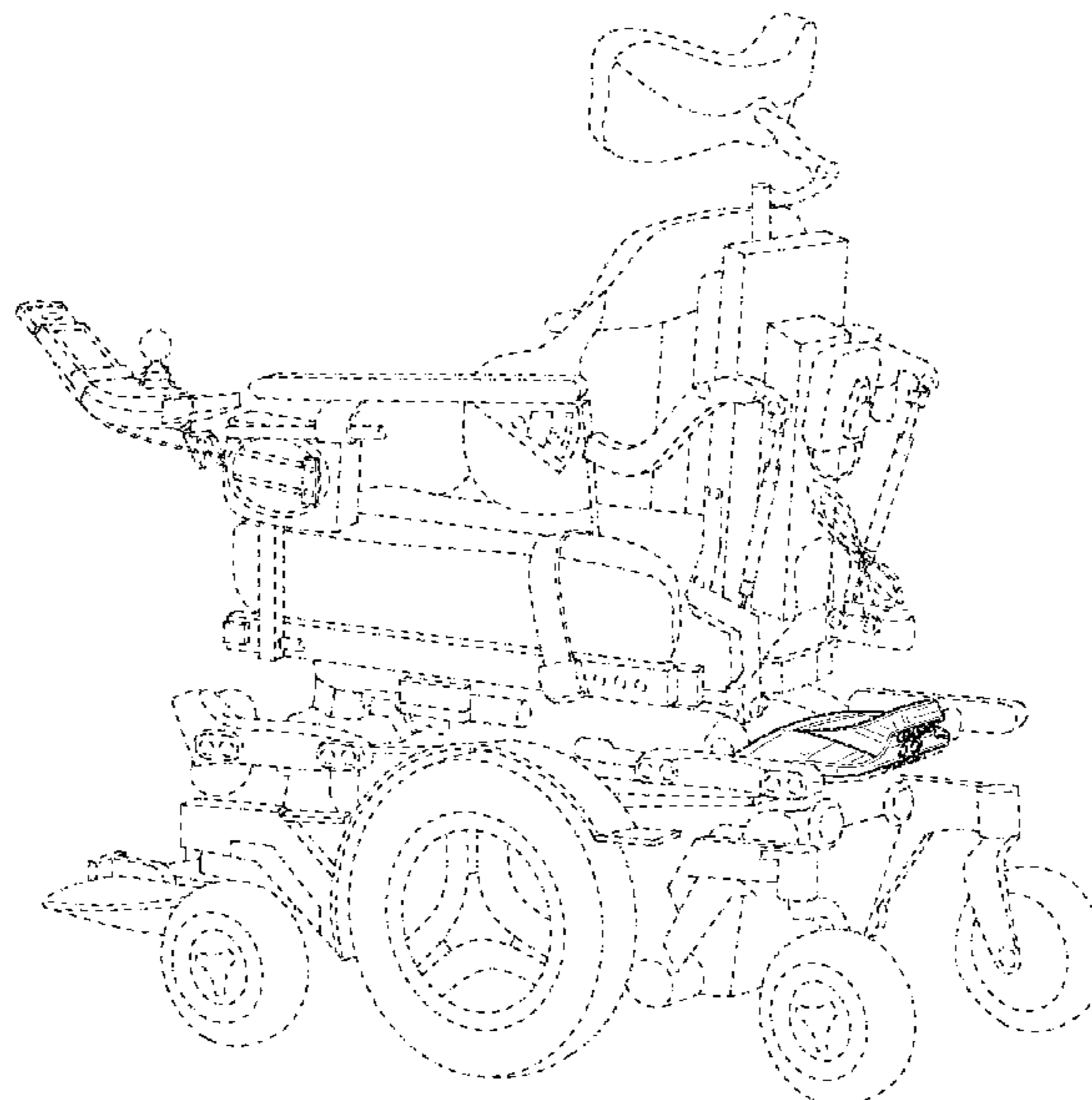
The ornamental design for a motorized mobile system controller, as shown and described.

DESCRIPTION

FIG. 1 is a side perspective view of a motorized mobile system controller mounted on a motorized mobile system showing our new design.
FIG. 2 is an isometric view of the motorized mobile system controller showing our new design.
FIG. 3 is a bottom back perspective view thereof.
FIG. 4 is a front view thereof.
FIG. 5 is a back view thereof.
FIG. 6 is a left side view thereof.
FIG. 7 is a right side view thereof.
FIG. 8 is a top view thereof; and,
FIG. 9 is a bottom view thereof.
The broken lines in the Figures show environment or portions of the motorized mobile system controller that form no part of the claimed design.
The shade lines in the Figures show contour and do not claim surface ornamentation or treatment.

1 Claim, 9 Drawing Sheets

(56) **References Cited**
U.S. PATENT DOCUMENTS
D315,539 S 3/1991 Okamoto
D315,886 S 4/1991 Wood
D509,774 S * 9/2005 Chen D12/131
D513,720 S * 1/2006 Etzioni D12/131
D517,456 S 3/2006 Wu
D523,788 S * 6/2006 Jones D12/131
D525,569 S 7/2006 Azuma
D561,651 S 2/2008 Yamagishi
D569,769 S * 5/2008 Chiu D12/131
D590,304 S * 4/2009 Kruse D12/131
D621,307 S * 8/2010 Kagi D12/131
D627,270 S * 11/2010 Kretschmer D12/131
D632,229 S * 2/2011 Kruse D12/131
D635,493 S 4/2011 Art



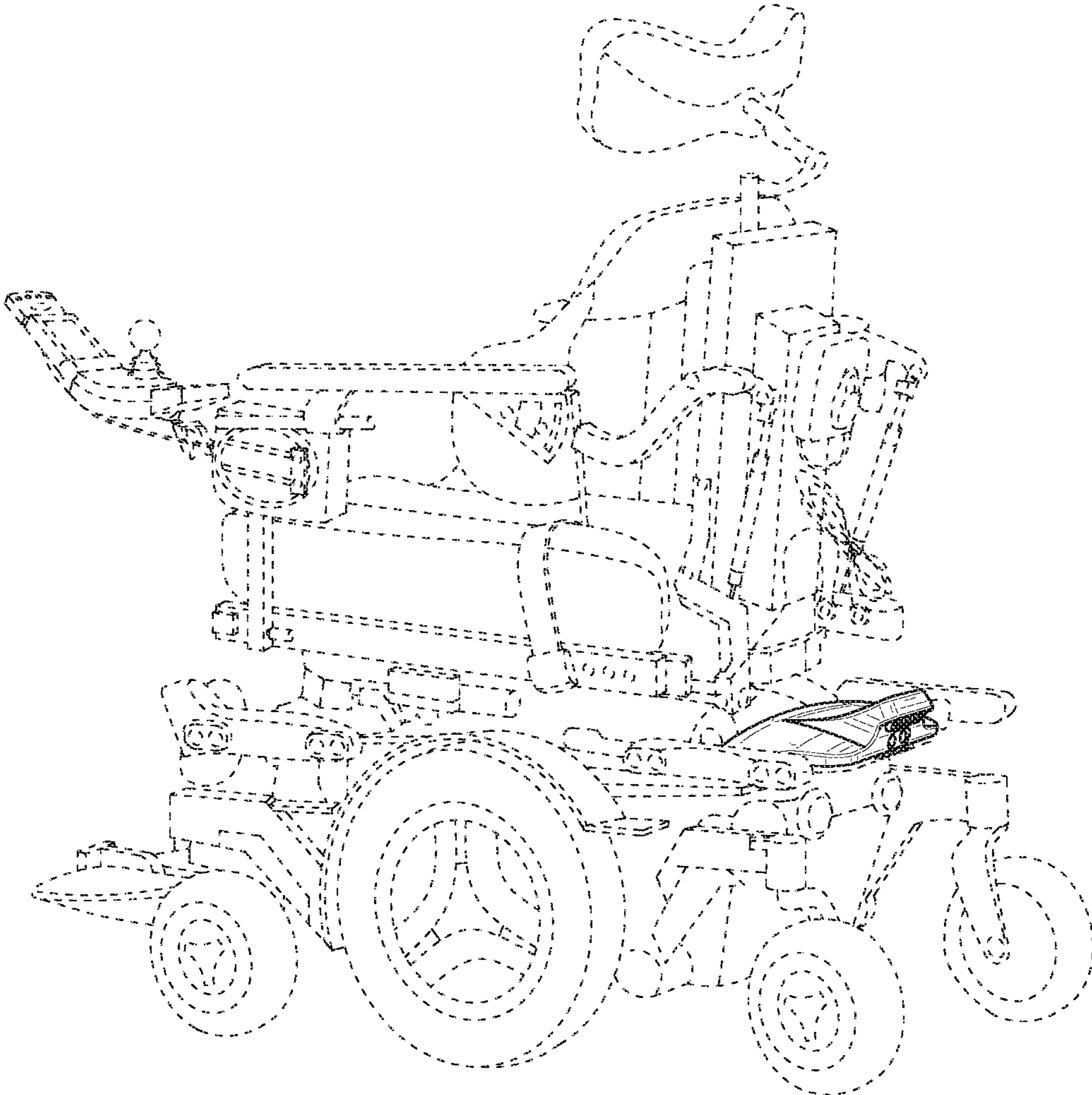


FIG. 1

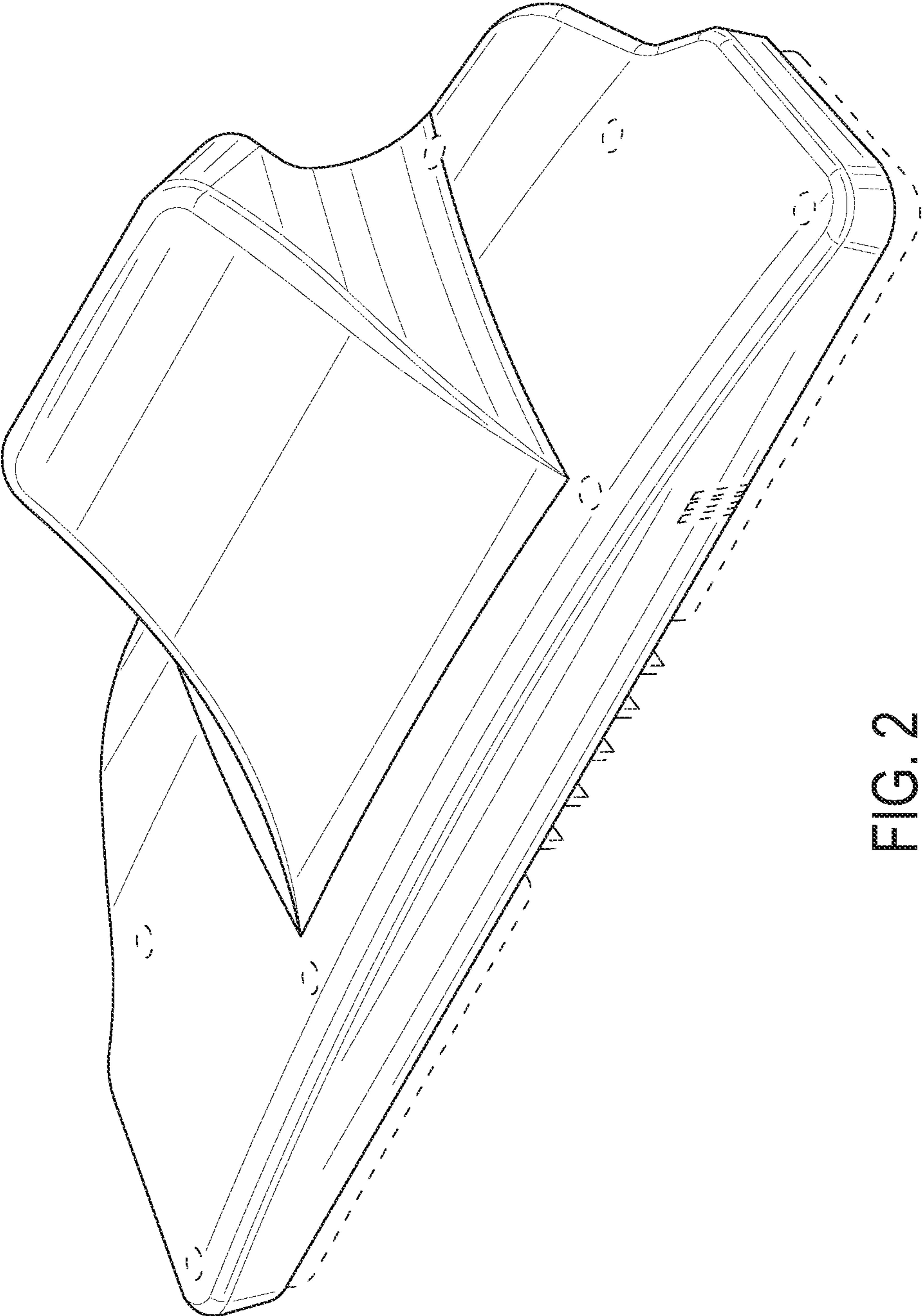


FIG. 2

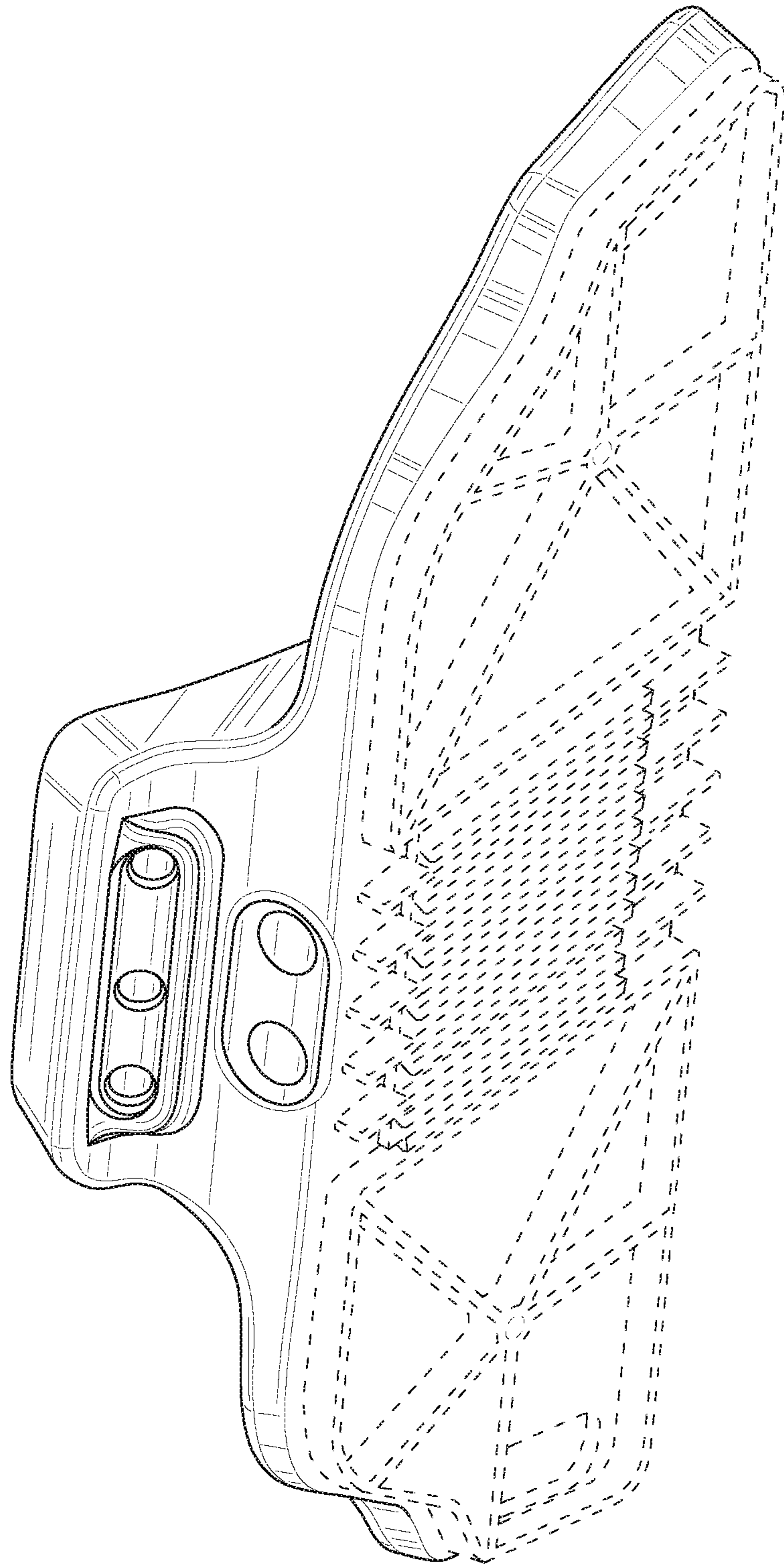


FIG. 3

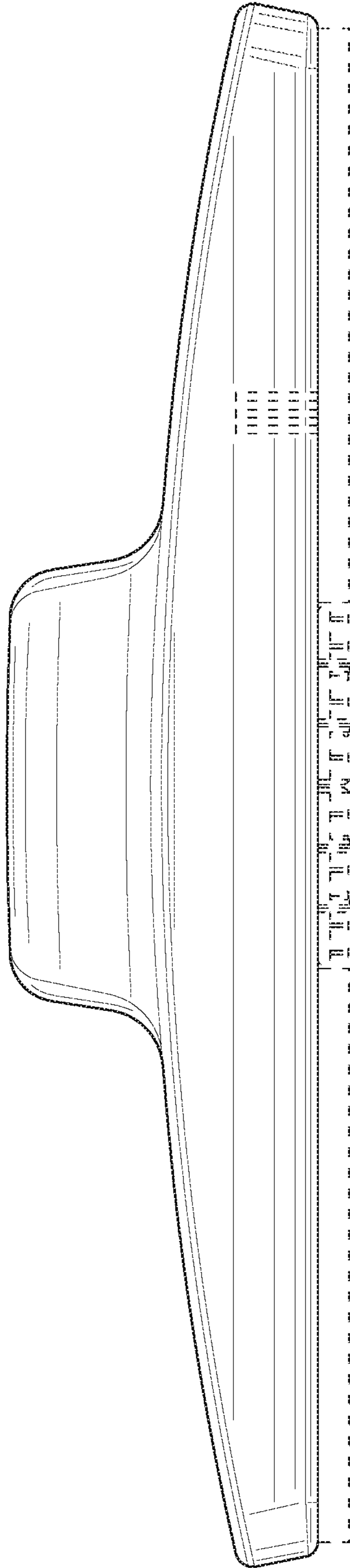


FIG. 4

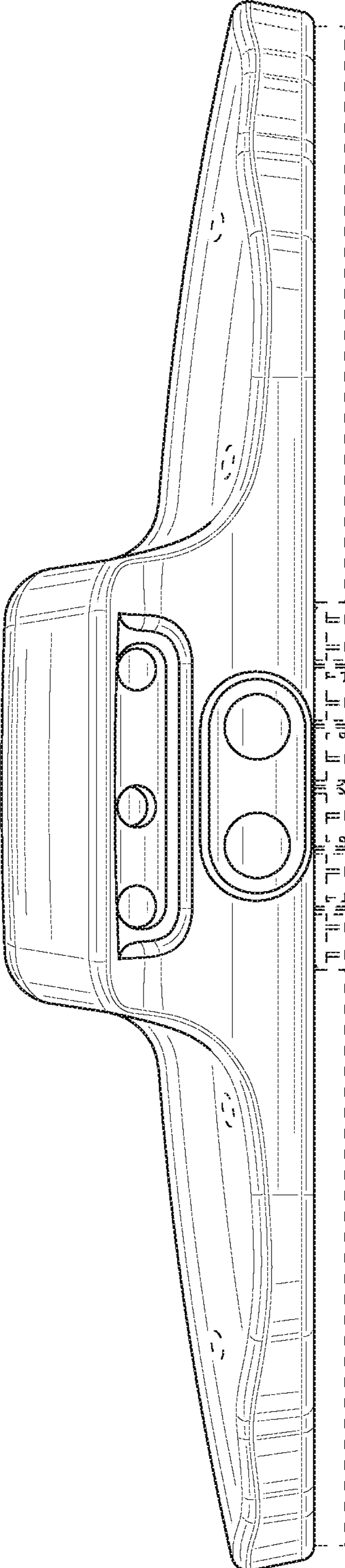


FIG. 5

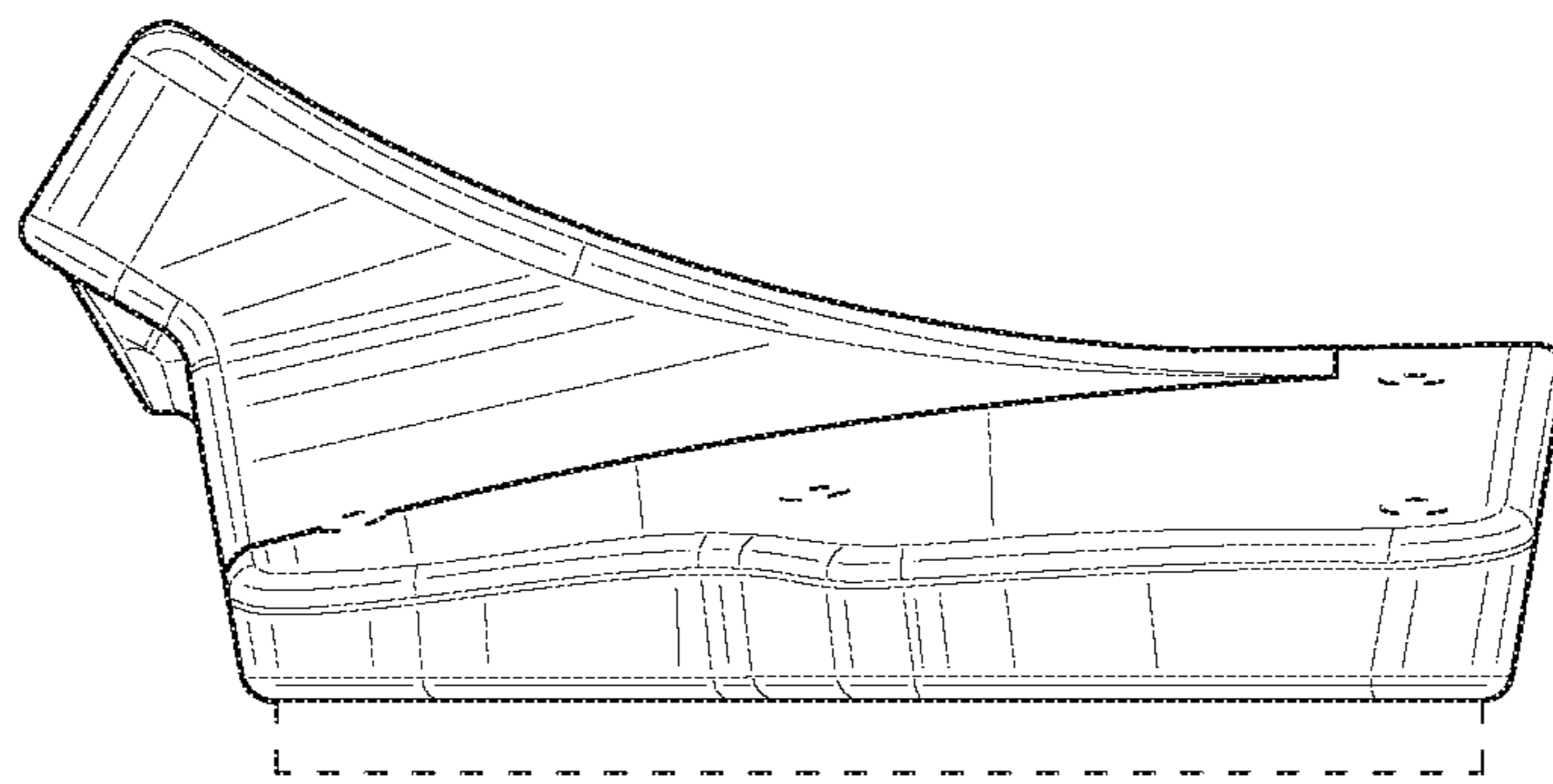


FIG. 6

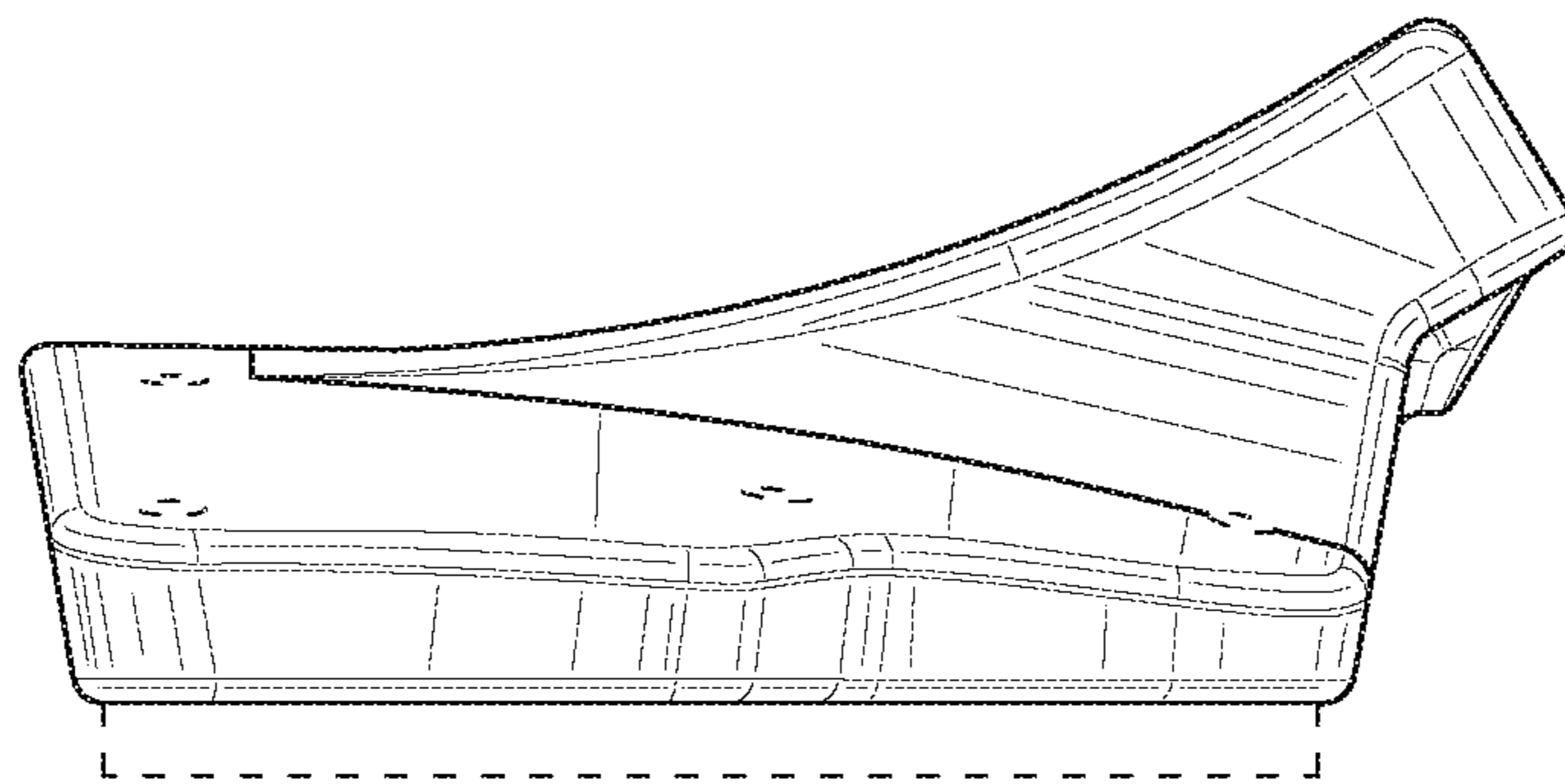


FIG. 7

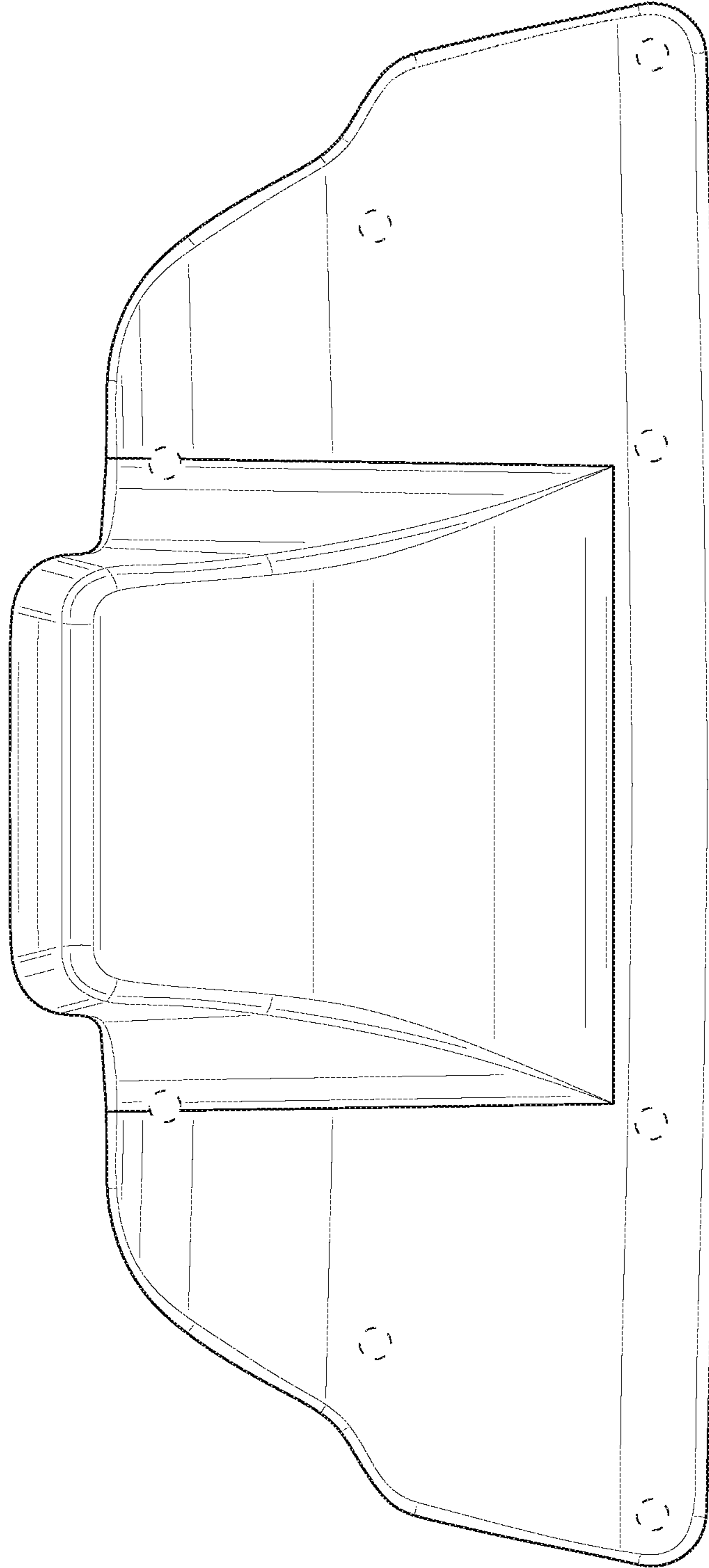


FIG. 8

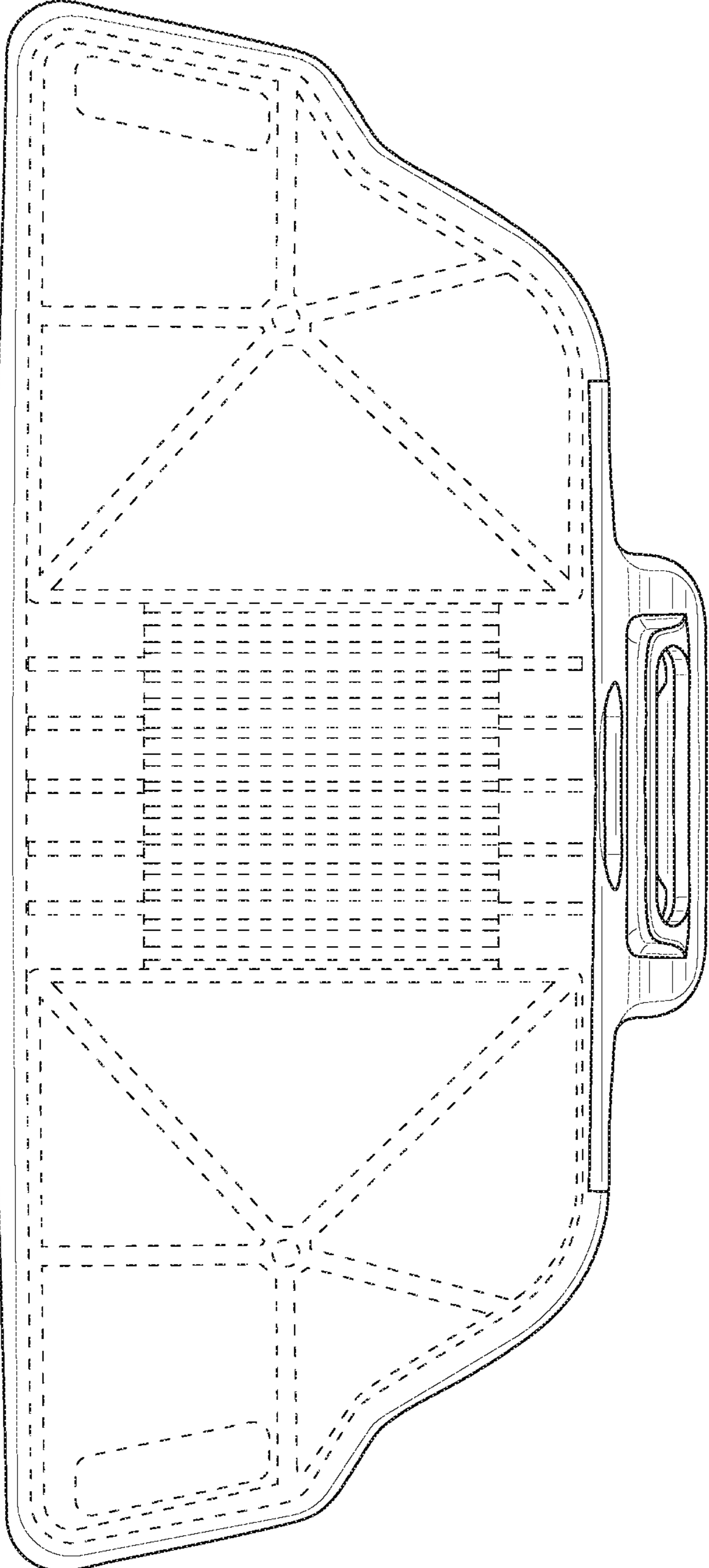


FIG. 9